



US00D464354S

(12) **United States Design Patent**
Small

(10) **Patent No.:** **US D464,354 S**

(45) **Date of Patent:** **** Oct. 15, 2002**

(54) **MAGAZINE FOR DATA CARTRIDGES**

(75) **Inventor:** **Steve W. Small, Golden, CO (US)**

(73) **Assignee:** **Exabyte Corporation, Boulder, CO (US)**

(**) **Term:** **14 Years**

(21) **Appl. No.:** **29/132,407**

(22) **Filed:** **Nov. 9, 2000**

(51) **LOC (7) Cl. 14-02**

(52) **U.S. Cl. D14/435**

(58) **Field of Search 360/90-92; 294/167-9; D14/432, 434, 474-9, 439, 435**

(56) **References Cited**

U.S. PATENT DOCUMENTS

3,833,807 A	9/1974	Takeda
4,754,397 A	6/1988	Varaiya et al.
4,869,591 A	9/1989	MacGregor
4,908,715 A	3/1990	Krum et al.
4,918,548 A	4/1990	O'Donnell et al.
4,972,277 A	11/1990	Sills et al.
4,984,106 A	1/1991	Herger et al.
5,021,902 A	6/1991	Ishikawa et al.
5,059,772 A	10/1991	Younglove et al.
5,103,986 A	4/1992	Marlowe
5,184,260 A	2/1993	Pierrat
5,237,467 A	8/1993	Marlowe
5,345,350 A *	9/1994	Ellis et al.
5,373,489 A	12/1994	Sato et al.
5,402,283 A	3/1995	Yamakawa et al.
5,414,519 A	5/1995	Han
5,416,653 A	5/1995	Marlowe
5,469,310 A	11/1995	Slocum et al.
5,487,579 A	1/1996	Woodruff
5,498,116 A	3/1996	Woodruff et al.
5,502,697 A	3/1996	Taki
5,512,761 A	4/1996	Winkelmann
5,532,888 A *	7/1996	Acosta et al.
5,555,143 A	9/1996	Hinnen et al.
5,659,440 A *	8/1997	Acosta et al.
5,661,287 A	8/1997	Schaefer et al.
5,718,339 A	2/1998	Woodruff et al.

5,739,978 A	4/1998	Ellis et al.
6,005,745 A	12/1999	Filkins et al.
6,008,964 A	12/1999	Goodknight et al.
6,028,733 A *	2/2000	Schmidtke et al.
6,042,205 A *	3/2000	Coffin et al.
6,144,521 A	11/2000	Egan et al.
6,175,462 B1	1/2001	Schneider et al.
6,259,578 B1 *	7/2001	Christiansen
6,333,829 B1 *	12/2001	Jones

FOREIGN PATENT DOCUMENTS

JP 60-225002 A 11/1985

OTHER PUBLICATIONS

U.S. patent application Ser. No. 08/970,205, entitled "Cartridge Library with Cartridge Loader Mounted on Moveable Drive Assembly".

U.S. patent application Ser. No. 09/121,541, entitled "Cartridge Library and Method of Operation".

U.S. patent application Ser. No. 09/121,819, entitled "Cartridge Library and Method of Operation".

U.S. patent application Ser. No. 09/121,817, entitled "Drive Carrier and Cartridge Library Employing Same".

(List continued on next page.)

Primary Examiner—M. H. Tung

(74) *Attorney, Agent, or Firm*—Nixon & Vanderhye, P.C.

(57) **CLAIM**

The ornamental design for a "magazine for data cartridges", as shown and described.

DESCRIPTION

FIG. 1 is a perspective view of a magazine for data cartridges;

FIG. 2 is a top view thereof;

FIG. 3 is a front view thereof;

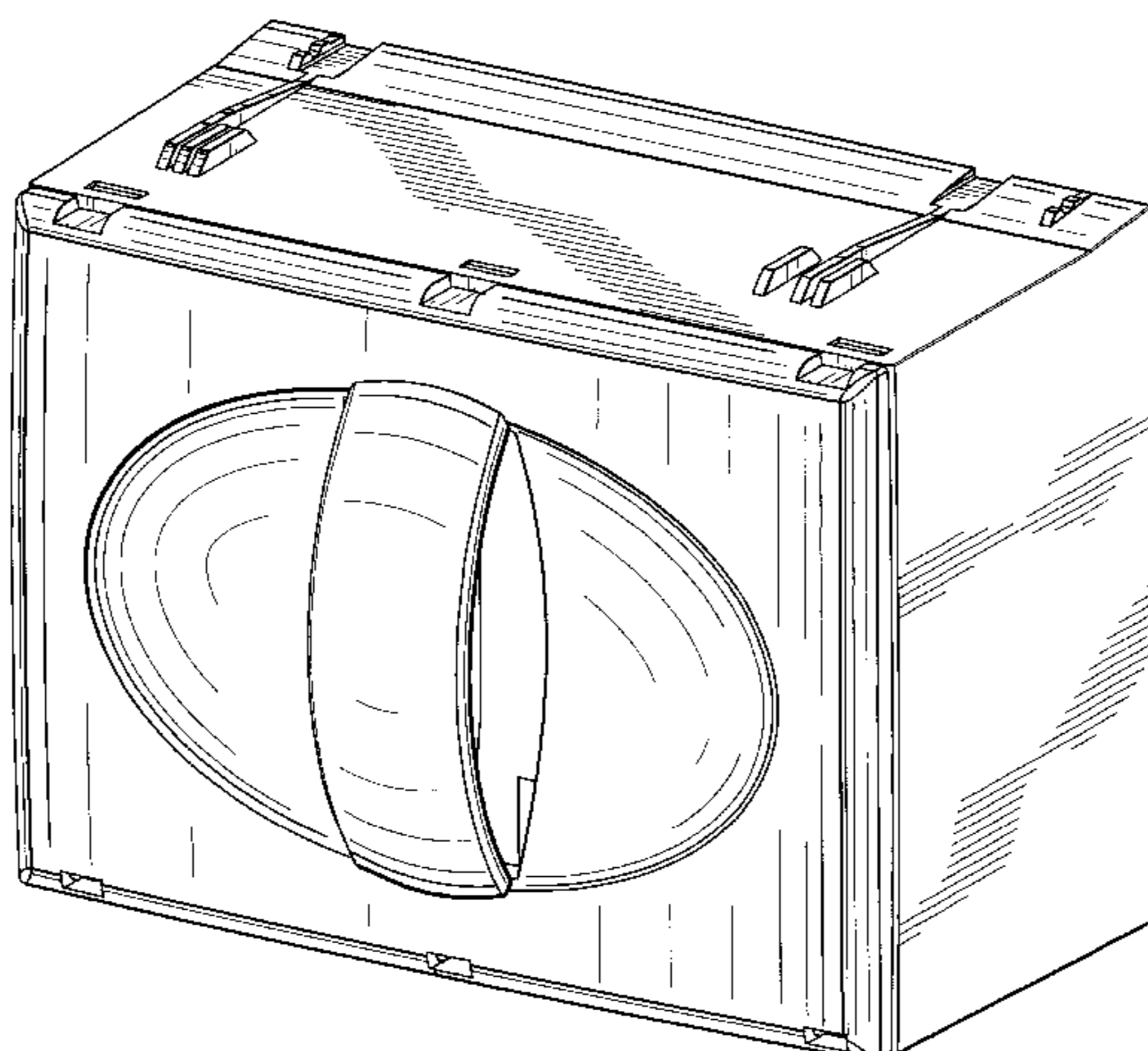
FIG. 4 is a bottom view thereof;

FIG. 5 is a left side view thereof, the right side is a mirror image thereof except for the small diagonal contour line on the top narrow element;

FIG. 6 is a rear view thereof; and,

FIG. 7 is a rear perspective view thereof.

1 Claim, 5 Drawing Sheets



OTHER PUBLICATIONS

U.S. patent application Ser. No. 09/708,433, entitled "Cartridge Library".

U.S. patent application Ser. No. 09/708,739, entitled "Cartridge Overinsertion Protection for Cartridge Library".

U.S. patent application Ser. No. 09/708,432, entitled "Cartridge Picker Robot with Ribbon Cable for Cartridge Library".

U.S. Design patent application Ser. No. 29/132,408, entitled "Cartridge Libraries".

U.S. patent application Ser. No. 09/706,451, entitled "Adjustable Mounting for barcode reader with backlash prevention".

* cited by examiner

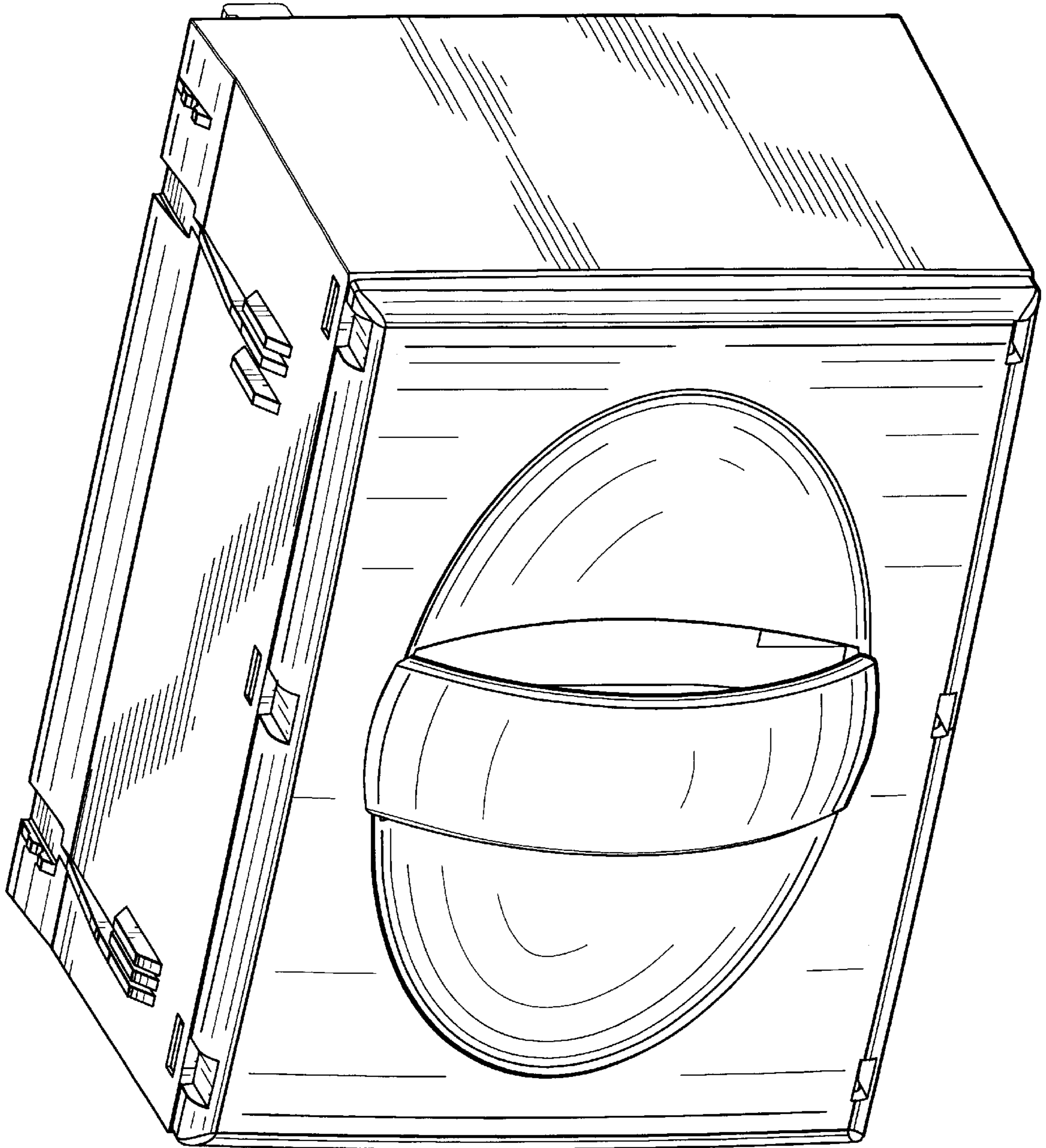


Fig. 1

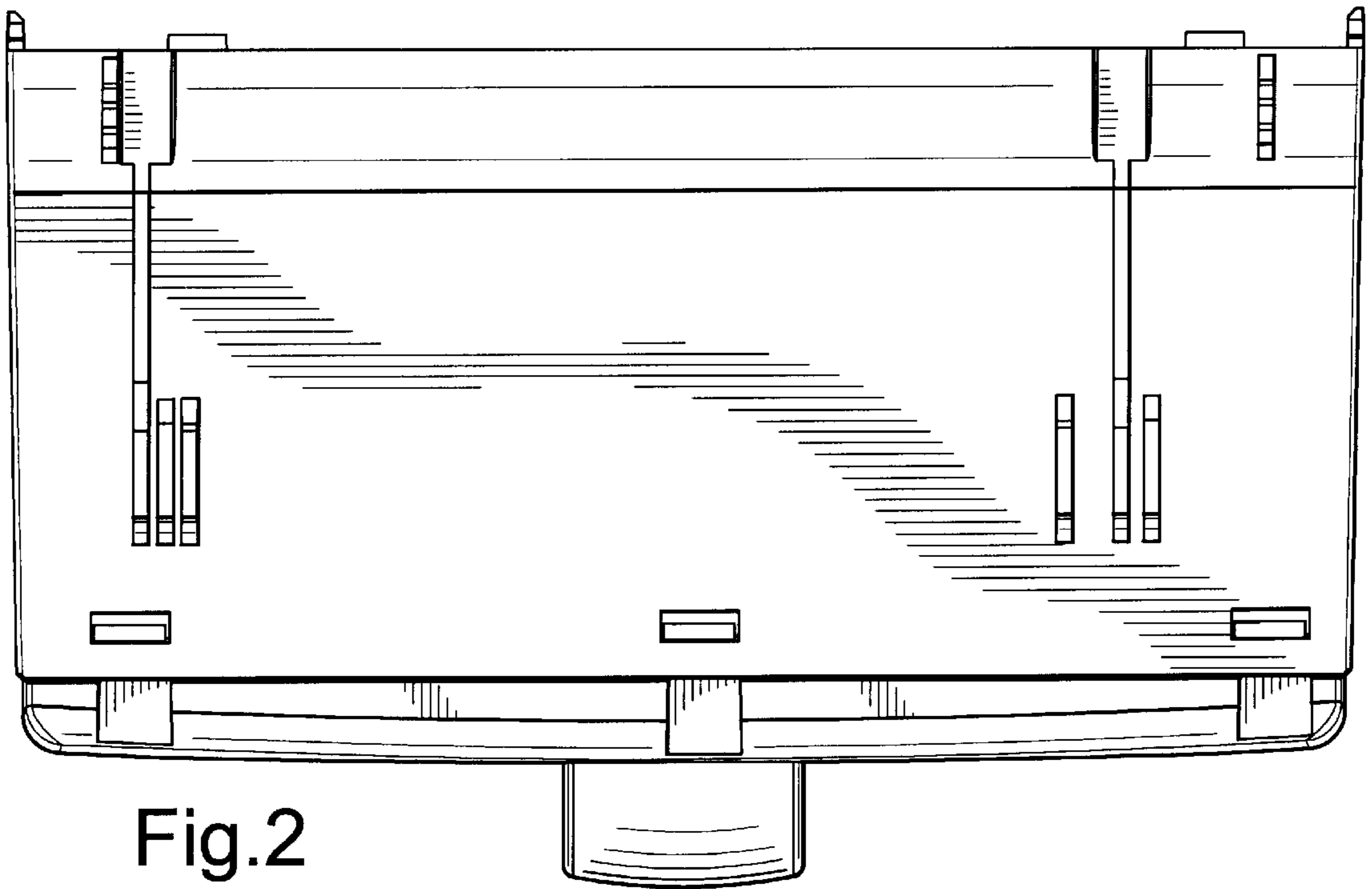


Fig.2

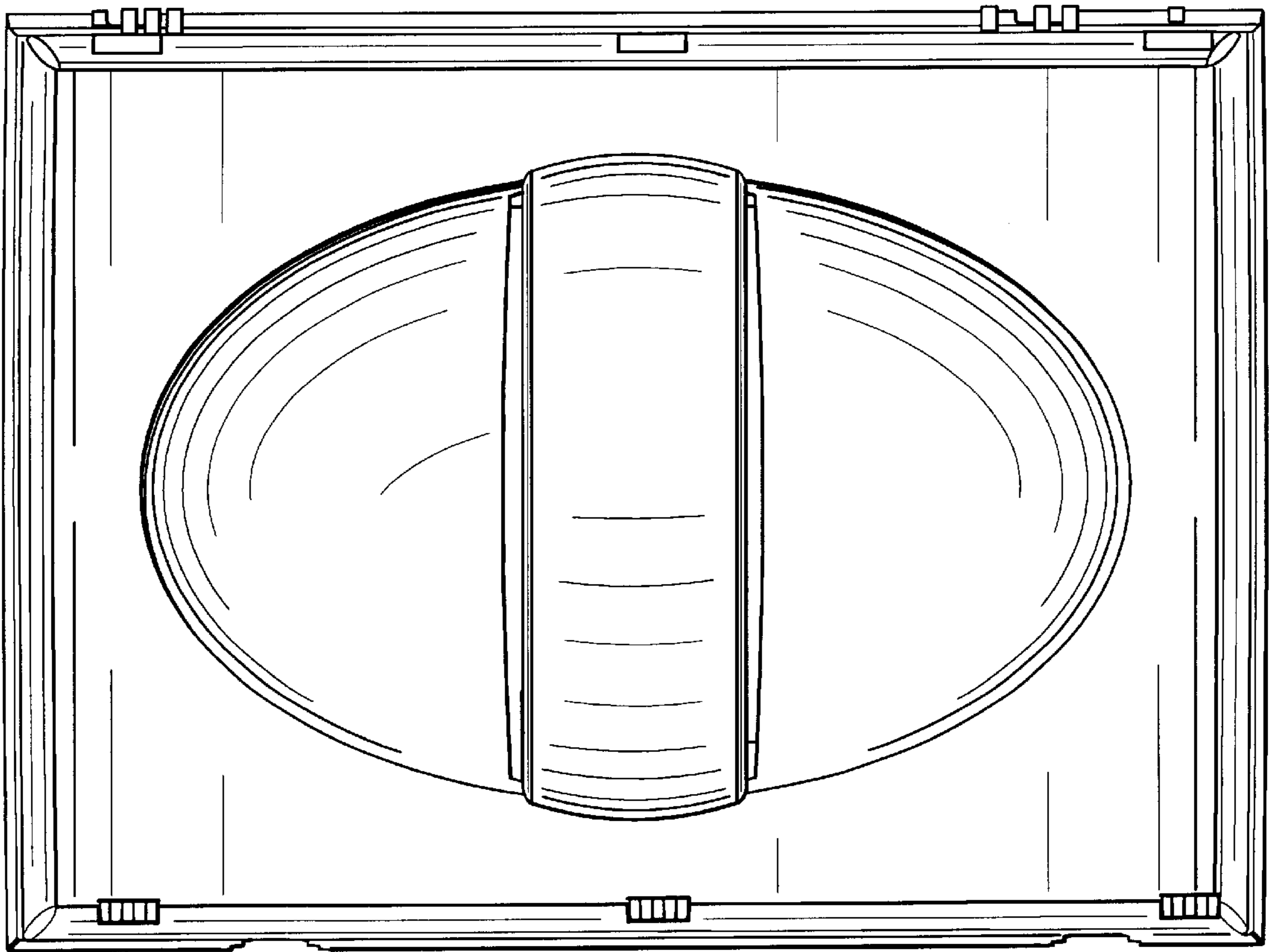


Fig.3

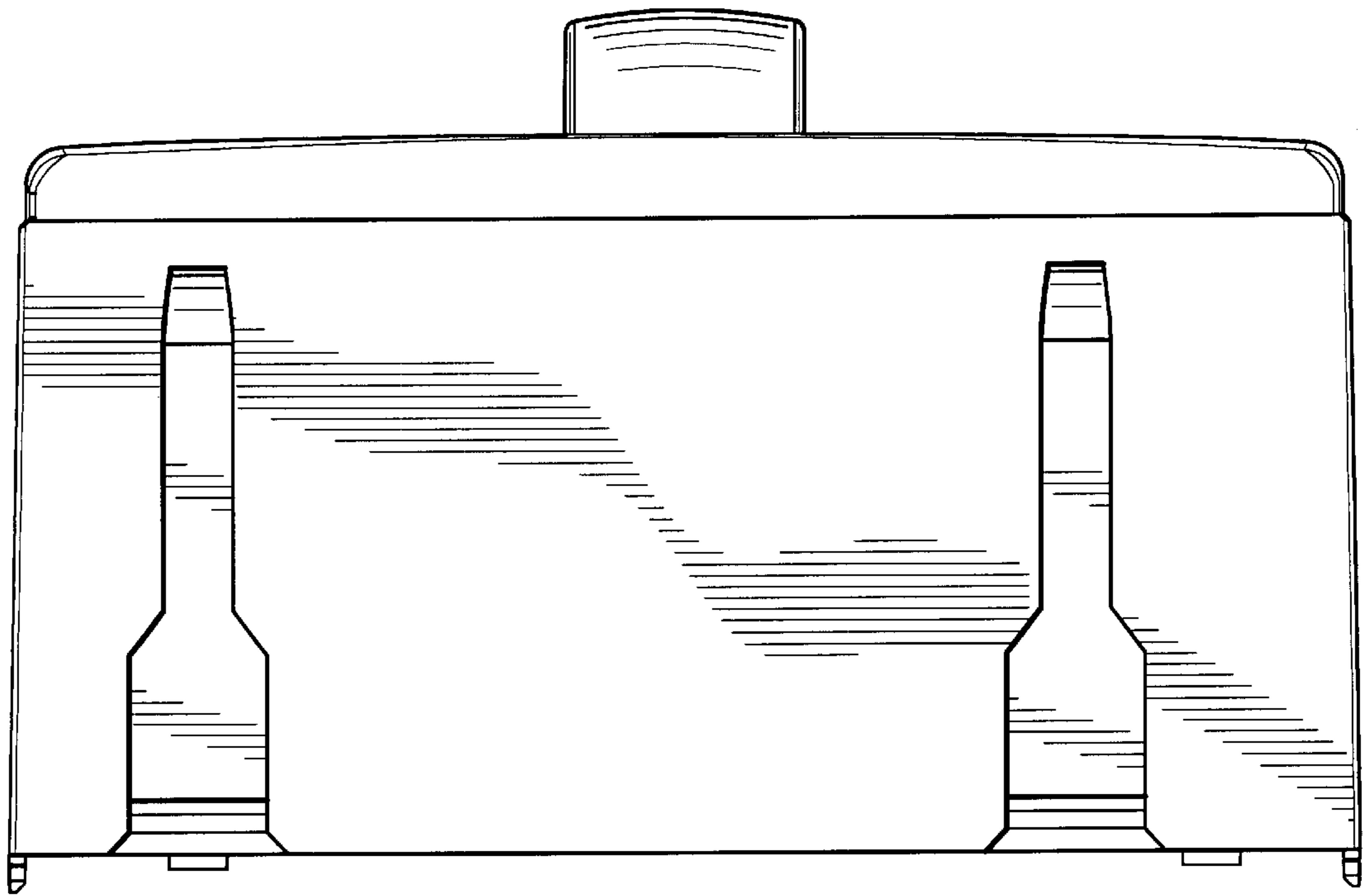


Fig.4

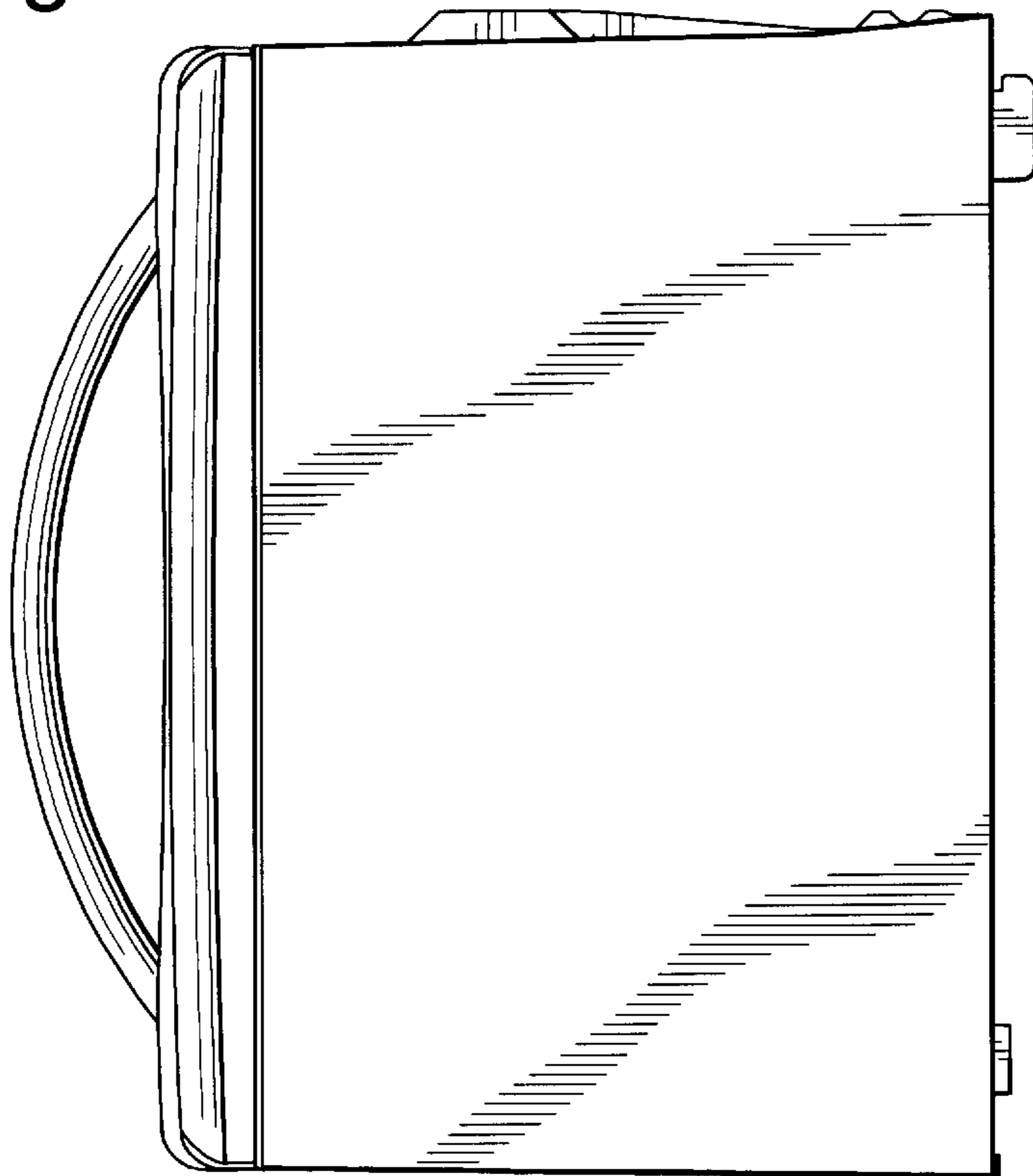


Fig.5

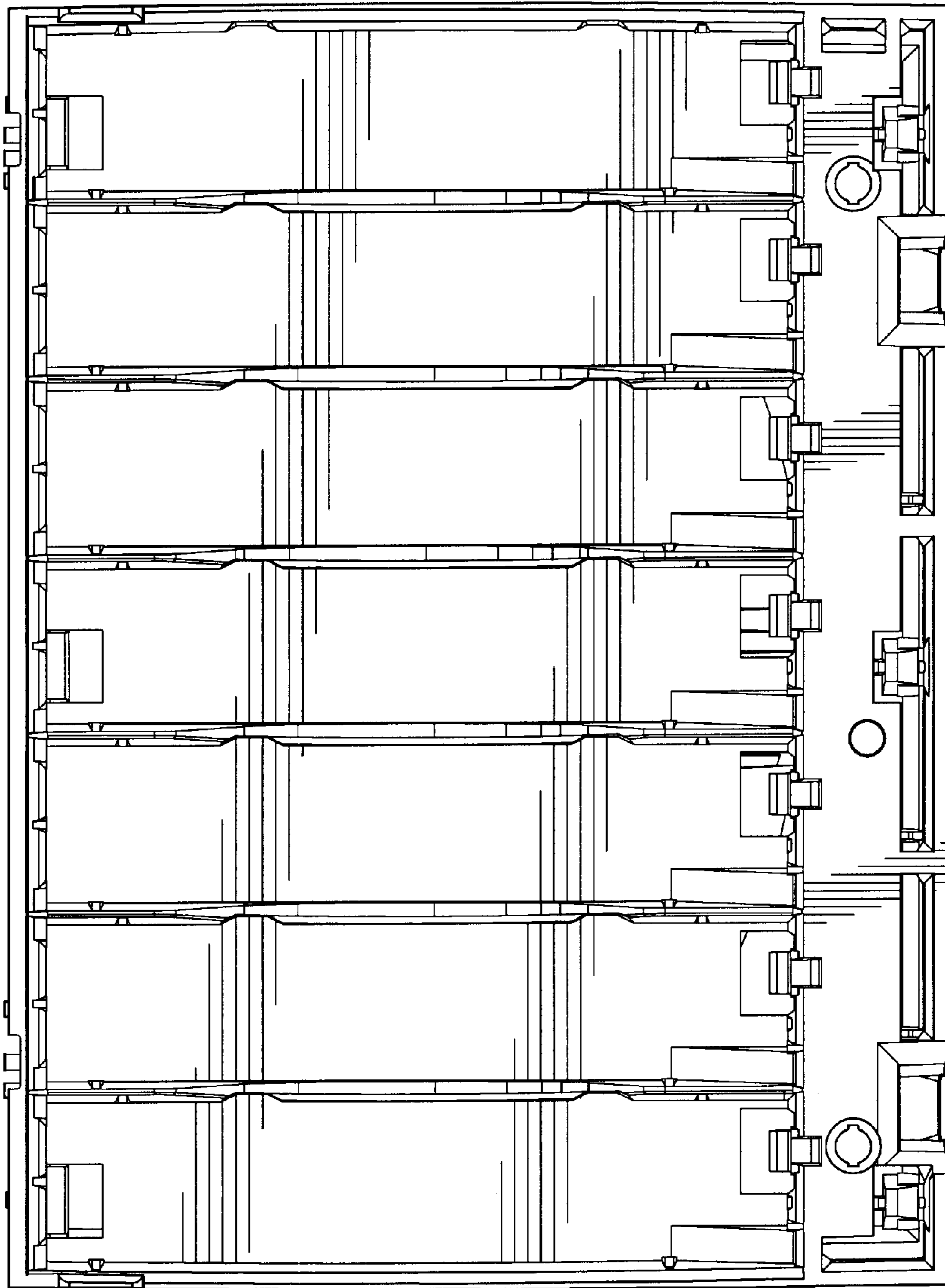


Fig.6

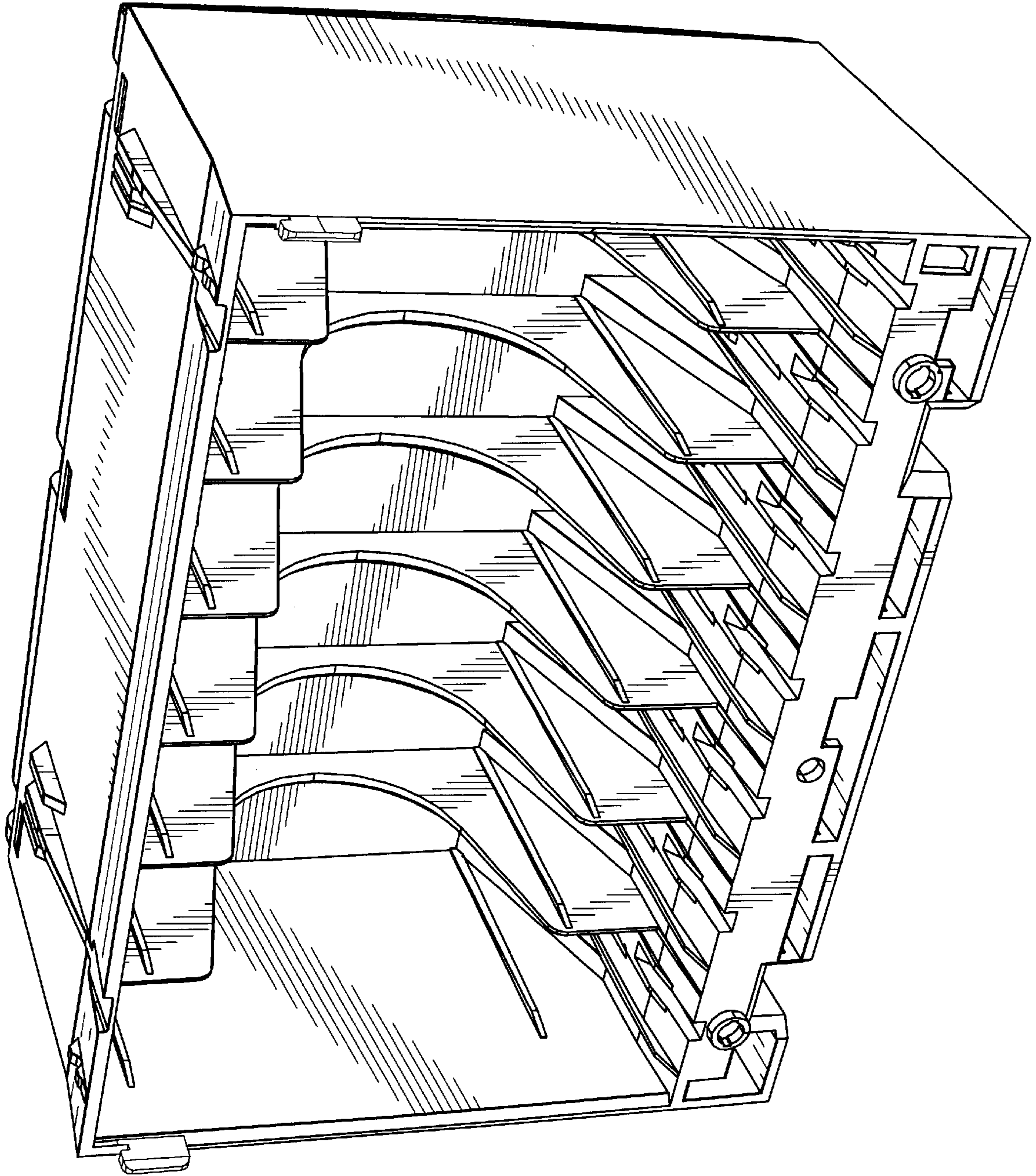


Fig. 7