

US00D464350S

(12) **United States Design Patent**
Kerestegian et al.

(10) **Patent No.:** **US D464,350 S**

(45) **Date of Patent:** **** Oct. 15, 2002**

(54) **SCROLL WHEEL REGION FOR AN ELECTRONIC INPUT DEVICE**

(75) Inventors: **Stiven Kerestegian**, Seattle, WA (US);
Sean E. Gorman, Seattle, WA (US)

(73) Assignee: **Microsoft Corporation**, Redmond, WA (US)

(**) Term: **14 Years**

(21) Appl. No.: **29/157,252**

(22) Filed: **Mar. 18, 2002**

(51) **LOC (7) Cl.** **14-02**

(52) **U.S. Cl.** **D14/402; D14/408**

(58) **Field of Search** D14/402-410,
D14/417, 432; 200/5 R, 5 A, 6 R, 6 A,
302.1, 512-517; 273/148 B; 345/156-167;
74/471 XY; 463/36, 37, 38

(56) **References Cited**

U.S. PATENT DOCUMENTS

D437,599 S	*	2/2001	Kaneko et al.	D14/408
D437,852 S	*	2/2001	Ledbetter et al.	D14/402
D438,208 S	*	2/2001	Jones et al.	D14/402
D439,252 S	*	3/2001	Ledbetter et al.	D14/402

* cited by examiner

Primary Examiner—Kay H. Chin

(74) *Attorney, Agent, or Firm*—Banner & Witcoff, Ltd.

(57) **CLAIM**

The ornamental design for a scroll wheel region for an electronic input device, as shown and described.

DESCRIPTION

FIG. 1 is a perspective view of a scroll wheel region for an electronic input device showing our new design;

FIG. 2 is a top view thereof;

FIG. 3 is a rear view thereof;

FIG. 4 is a front view thereof;

FIG. 5 is a left side view thereof;

FIG. 6 is a perspective view of a second embodiment thereof similar to the first embodiment having internal radiating spokes but also including external grooves;

FIG. 7 is a top view the scroll wheel region of FIG. 6;

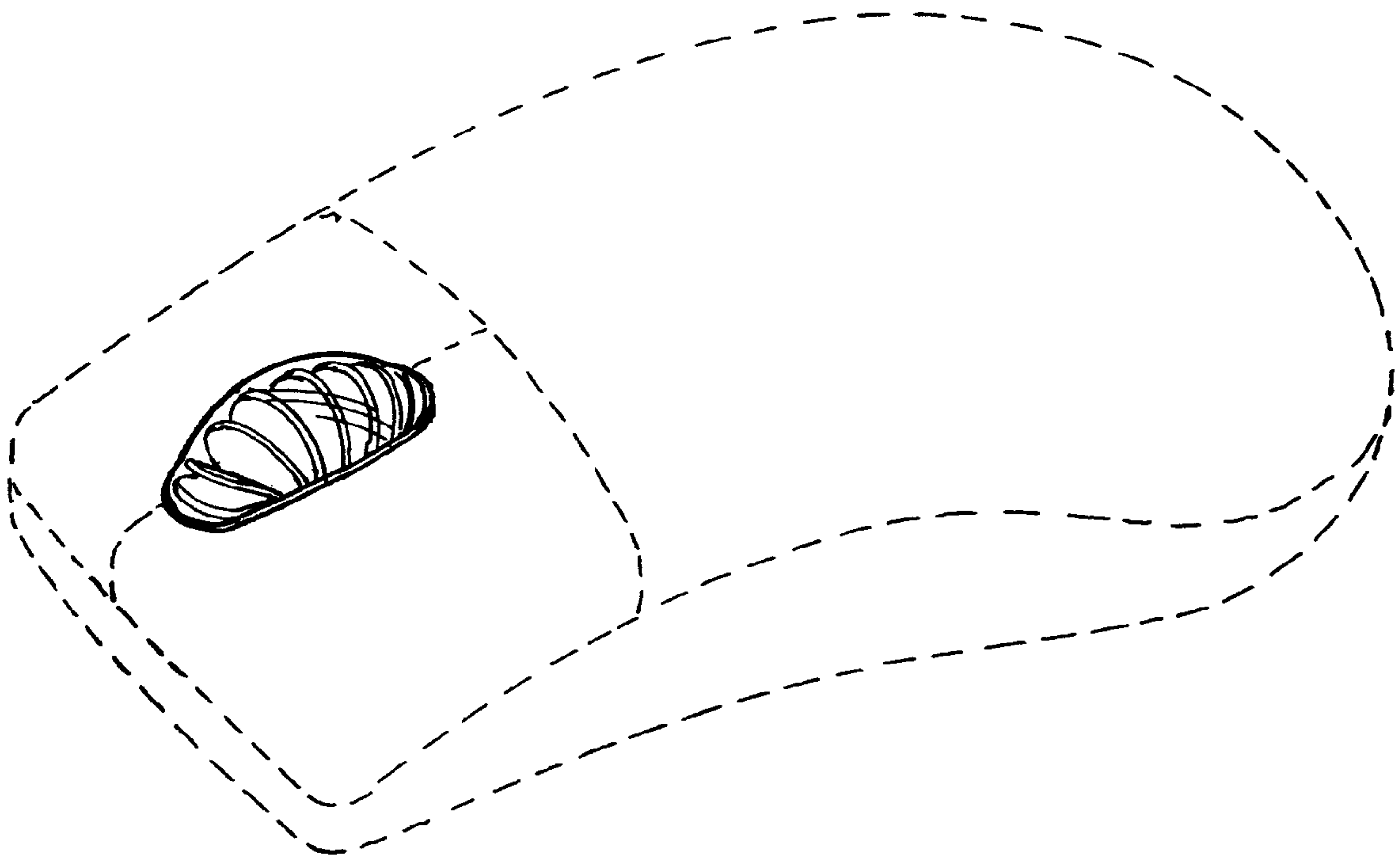
FIG. 8 is a front view the scroll wheel region of FIG. 6;

FIG. 9 is a left side view the scroll wheel region of FIG. 6; and,

FIG. 10 is a right side view the scroll wheel region of FIG. 6.

The broken line showing of the remainder of the electronic input device is for illustrative purposes only and forms no part of the claimed design.

1 Claim, 4 Drawing Sheets



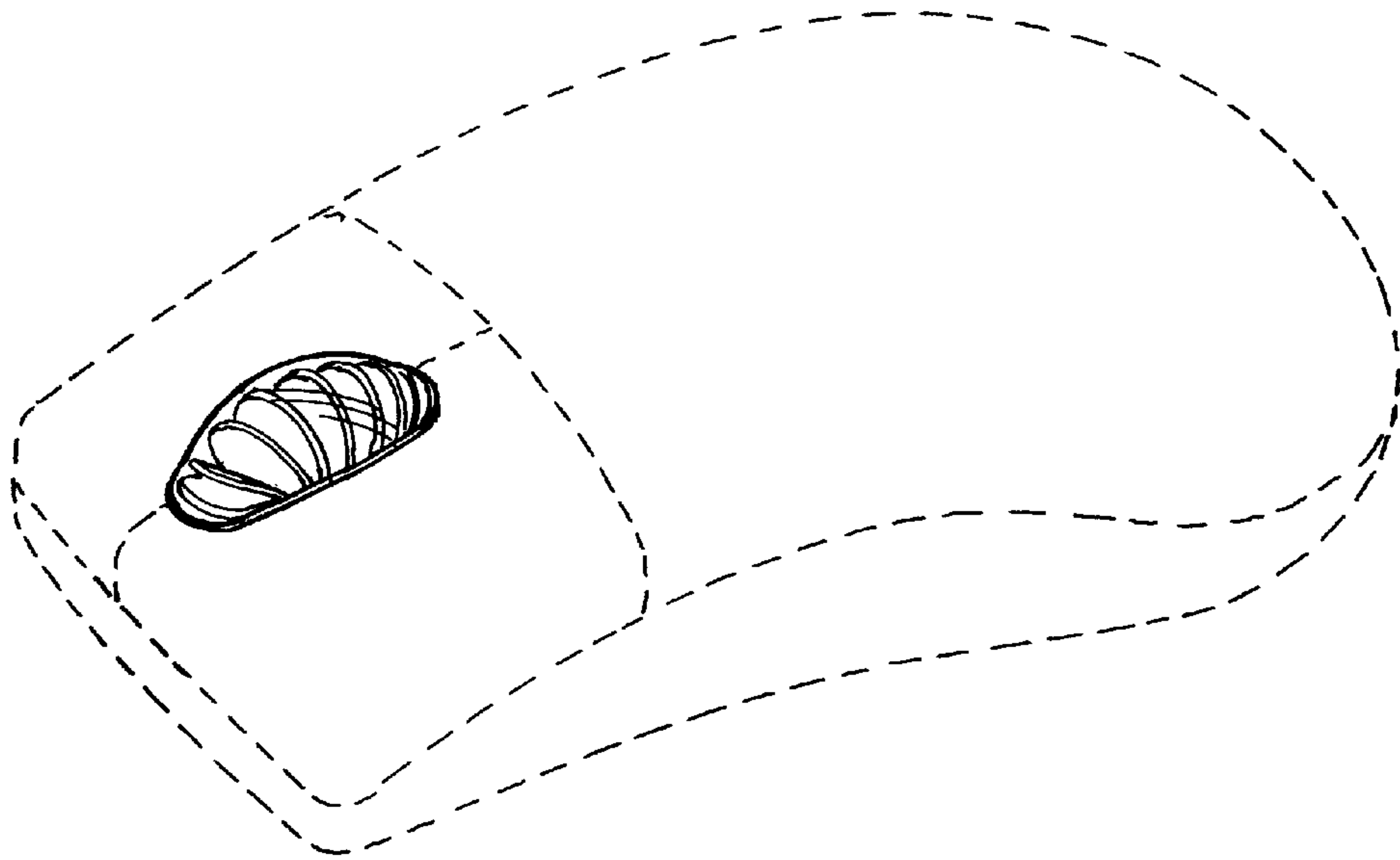


FIG. 1

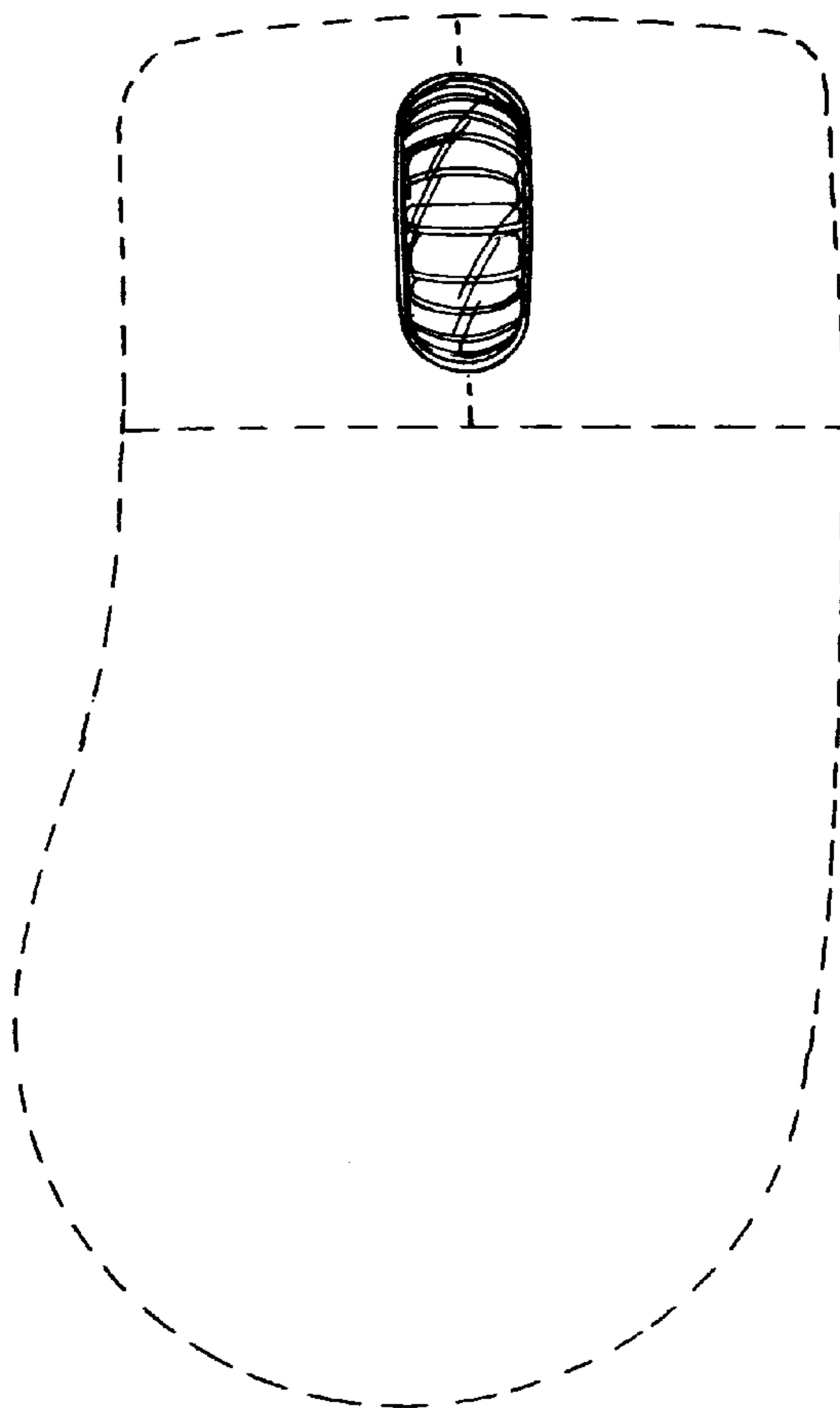


FIG. 2

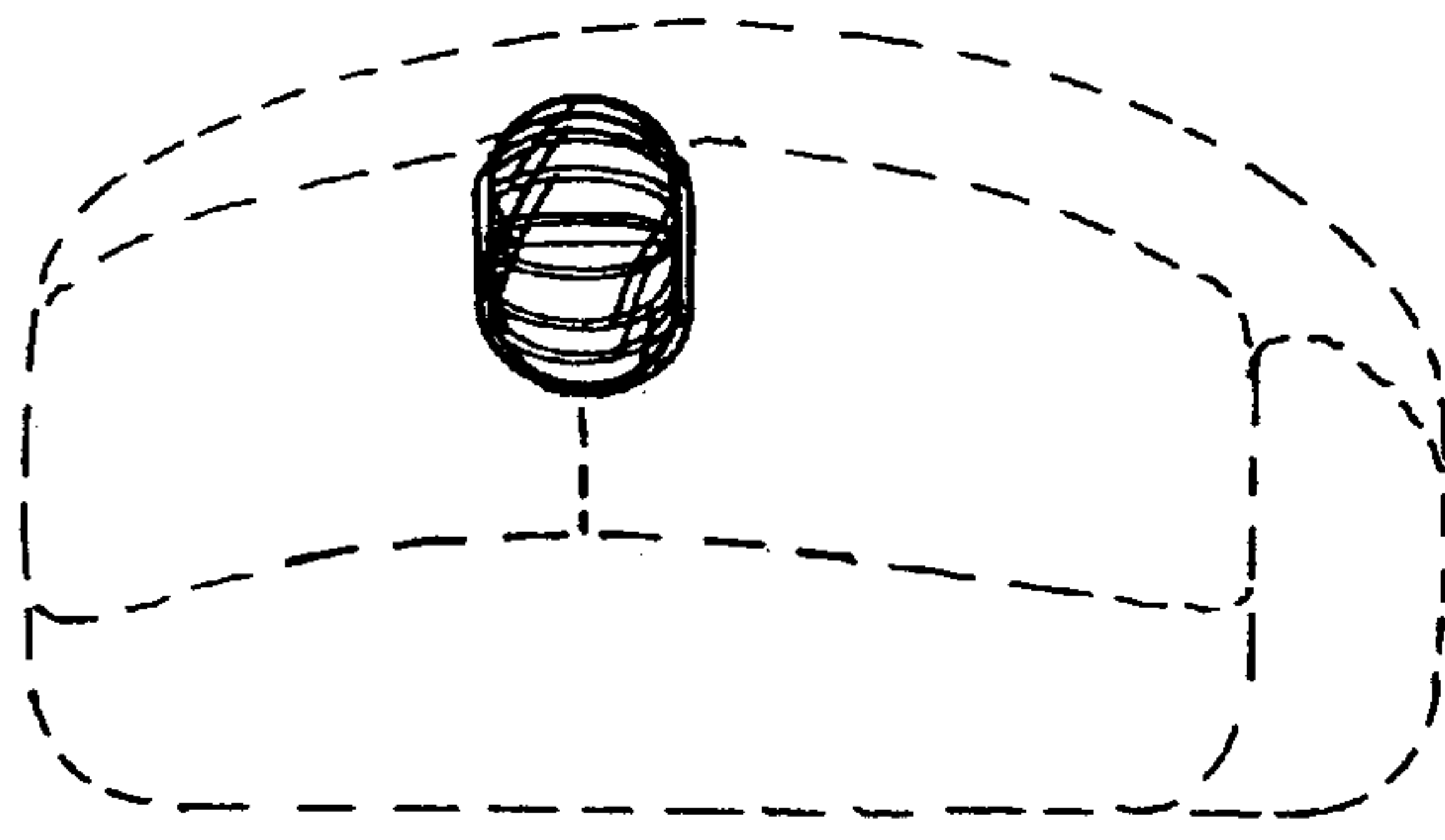


FIG. 3

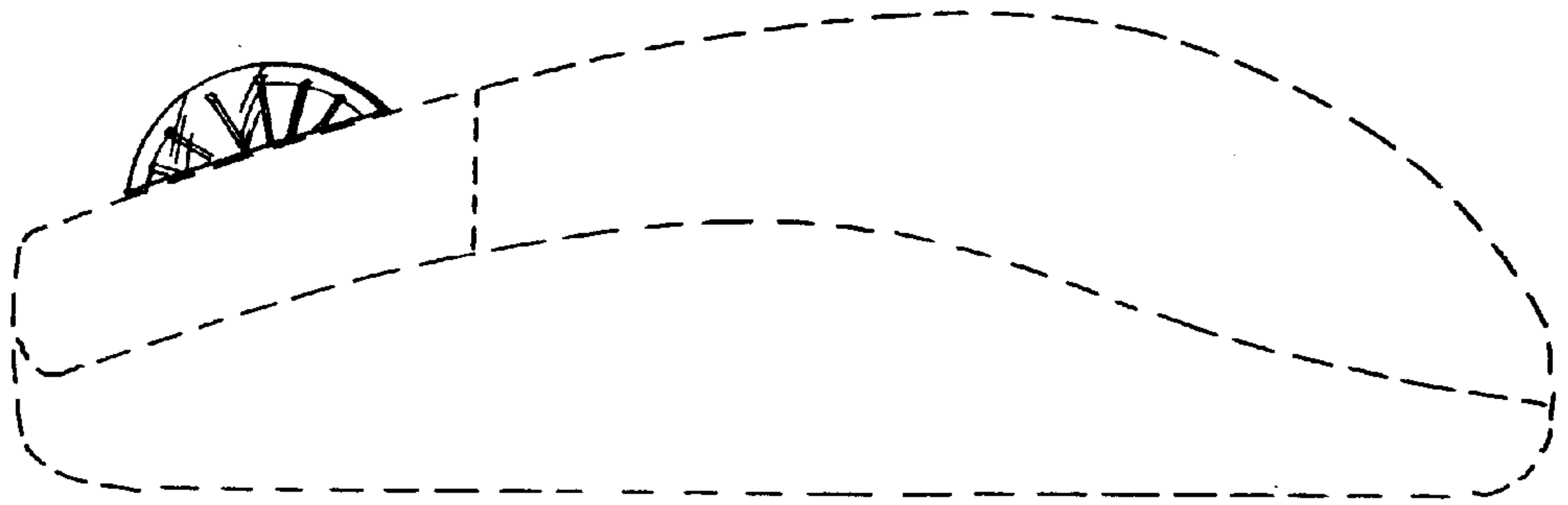


FIG. 4

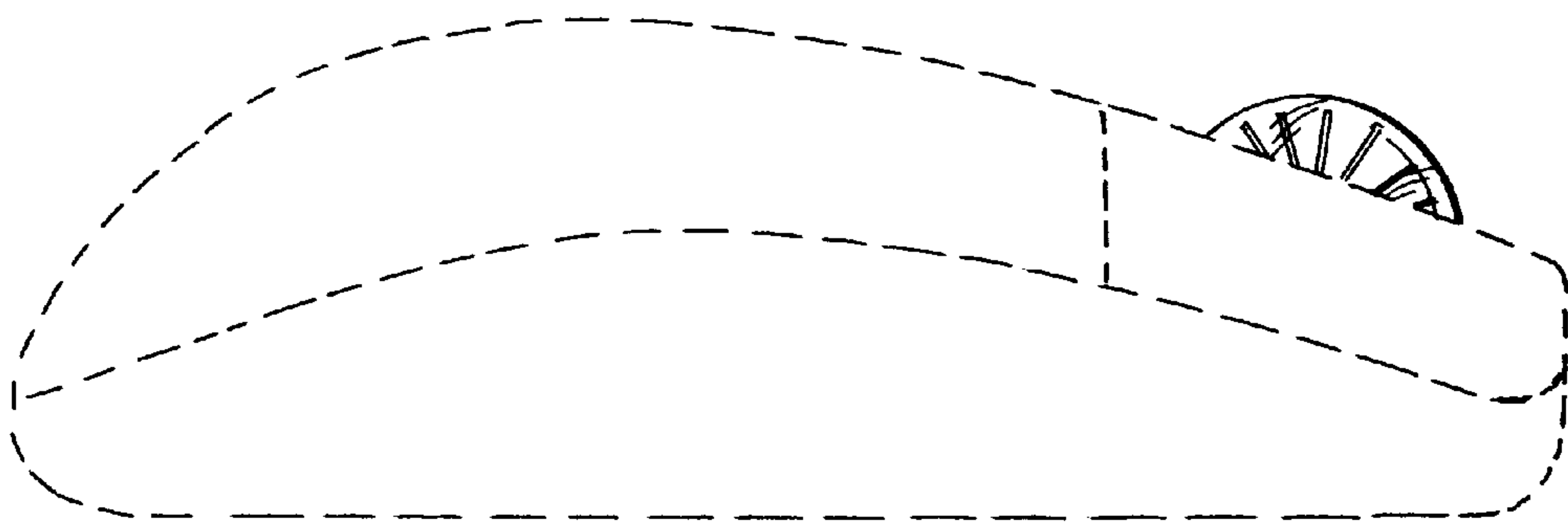


FIG. 5

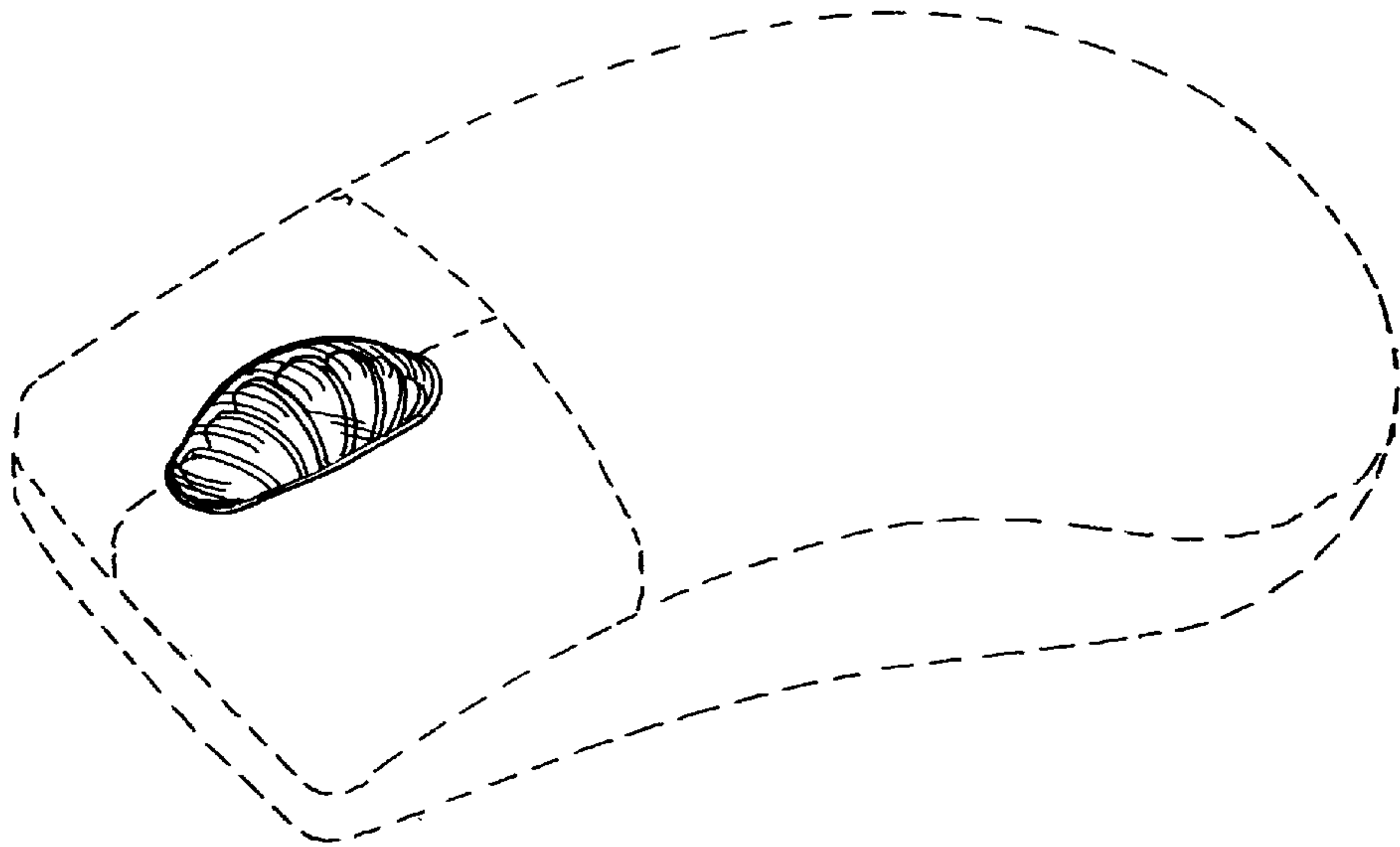


FIG. 6

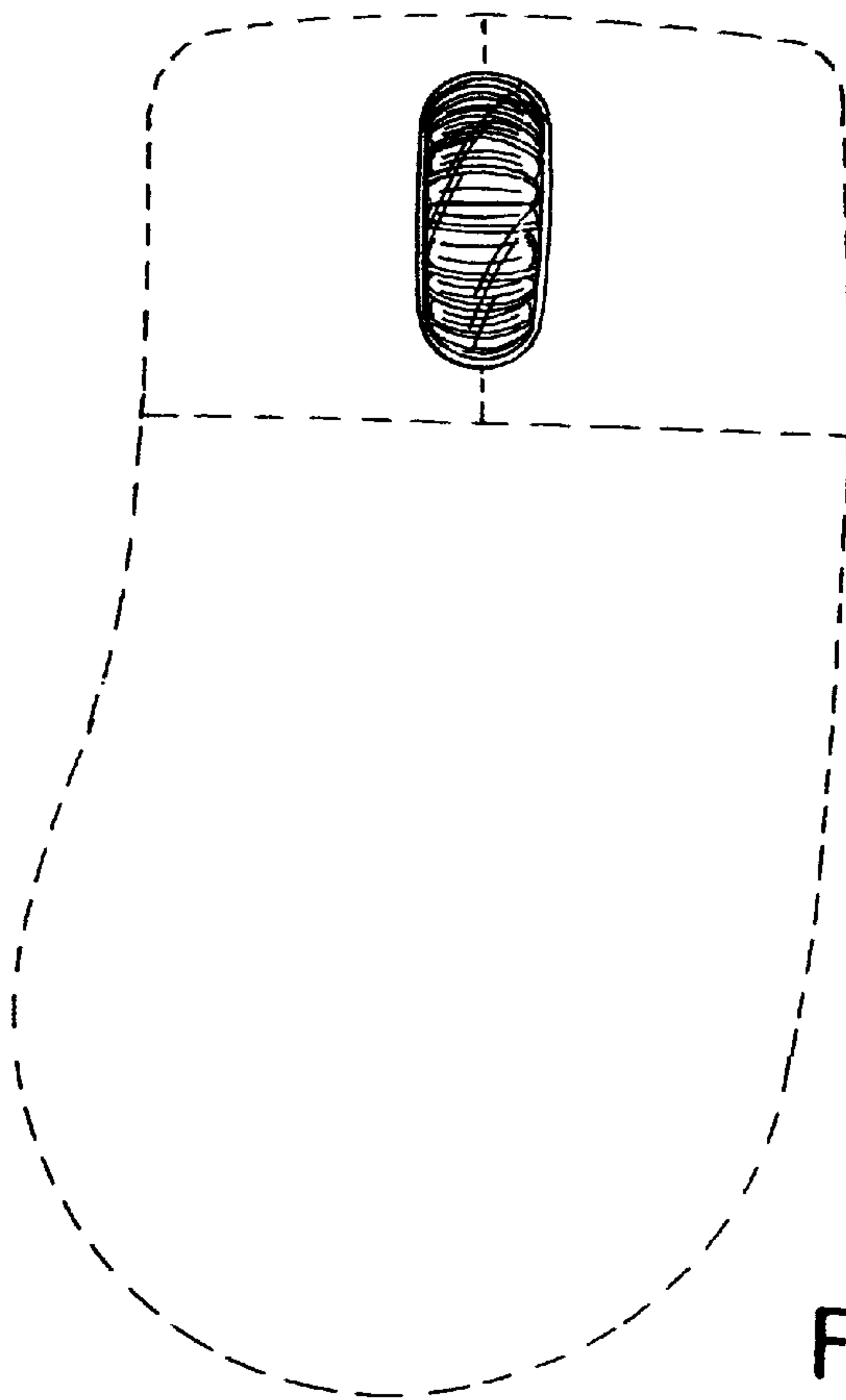


FIG. 7

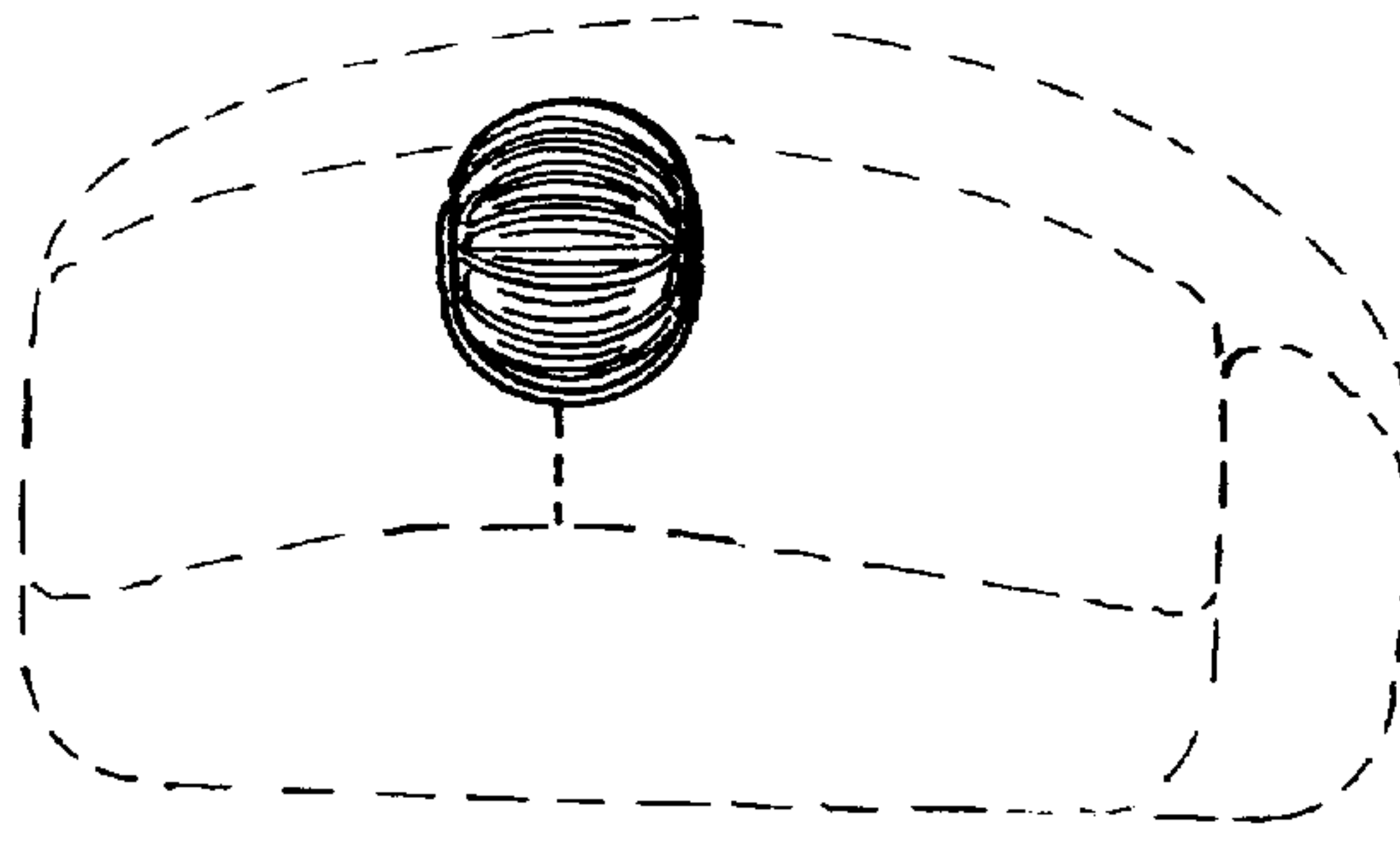


FIG. 8

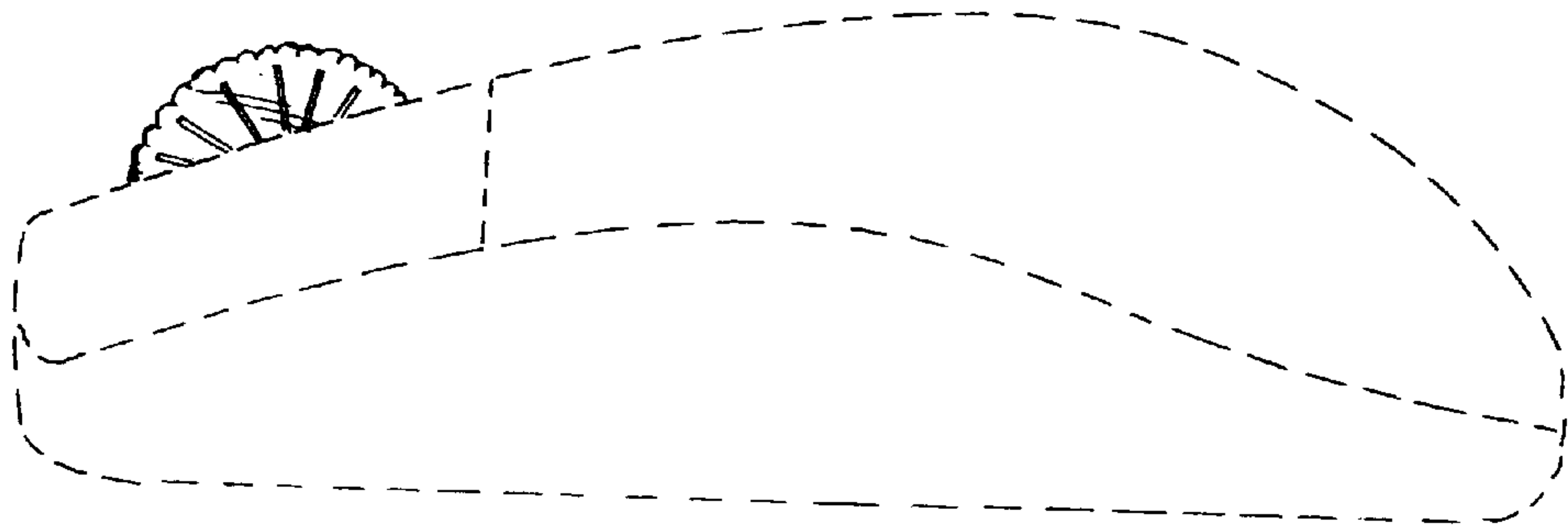


FIG. 9

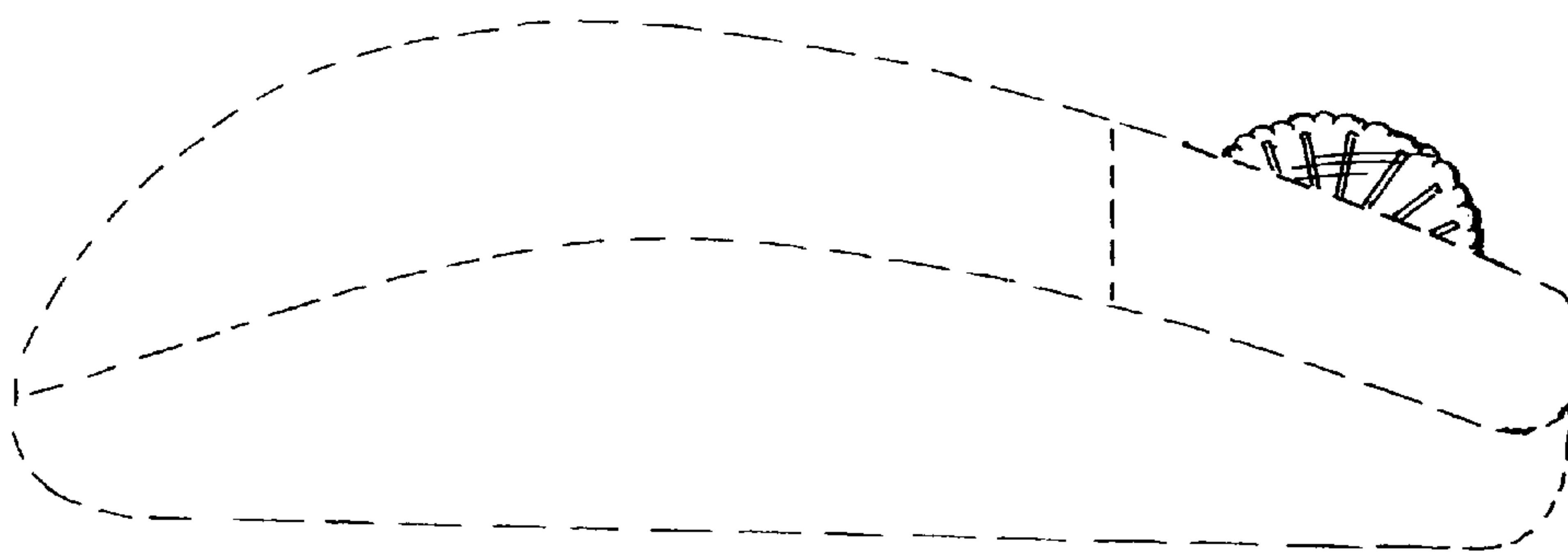


FIG. 10