



US00D464349S

(12) **United States Design Patent**  
**Loughnane et al.**

(10) **Patent No.:** **US D464,349 S**

(45) **Date of Patent:** **\*\* Oct. 15, 2002**

(54) **GAME PAD**

(75) Inventors: **Cathal Loughnane**, Wicklow (IE);  
**Peter Sheehan**, Dublin (IE); **Peter A. Stern**, San Leandro, CA (US); **Richard Hubert Keyes McDonnell**, Newark, CA (US); **Fred Swan**, Castro Valley, CA (US)

(73) Assignee: **Logitech Europe S.A.** (CH)

(\*\*) Term: **14 Years**

(21) Appl. No.: **29/148,981**

(22) Filed: **Sep. 28, 2001**

(51) **LOC (7) Cl.** ..... **14-02**

(52) **U.S. Cl.** ..... **D14/401**

(58) **Field of Search** ..... D14/400, 401,  
D14/412-416; D21/324, 333; 273/148 B;  
463/1, 29, 30, 36, 37, 38, 46, 47; 345/156-161,  
905

(56) **References Cited**

**U.S. PATENT DOCUMENTS**

D314,193 S \* 1/1991 Ishihara et al. .... D14/400  
5,394,168 A \* 2/1995 Smith, III et al. .... 345/156

5,759,100 A \* 6/1998 Nakanishi ..... 273/148 B  
5,874,906 A \* 2/1999 Willner et al. .... 463/38  
5,896,125 A \* 4/1999 Niedzwiecki ..... 345/168  
5,923,317 A \* 7/1999 Sayler et al. .... 345/156  
D414,523 S \* 9/1999 Fai ..... D21/329  
D419,985 S \* 2/2000 LaCelle et al. .... D14/401  
D420,660 S \* 2/2000 Chen ..... D14/401  
D421,433 S \* 3/2000 Alviar et al. .... D14/401

\* cited by examiner

*Primary Examiner*—Prabhakar Deshmukh

(74) *Attorney, Agent, or Firm*—Townsend and Townsend and Crew LLP

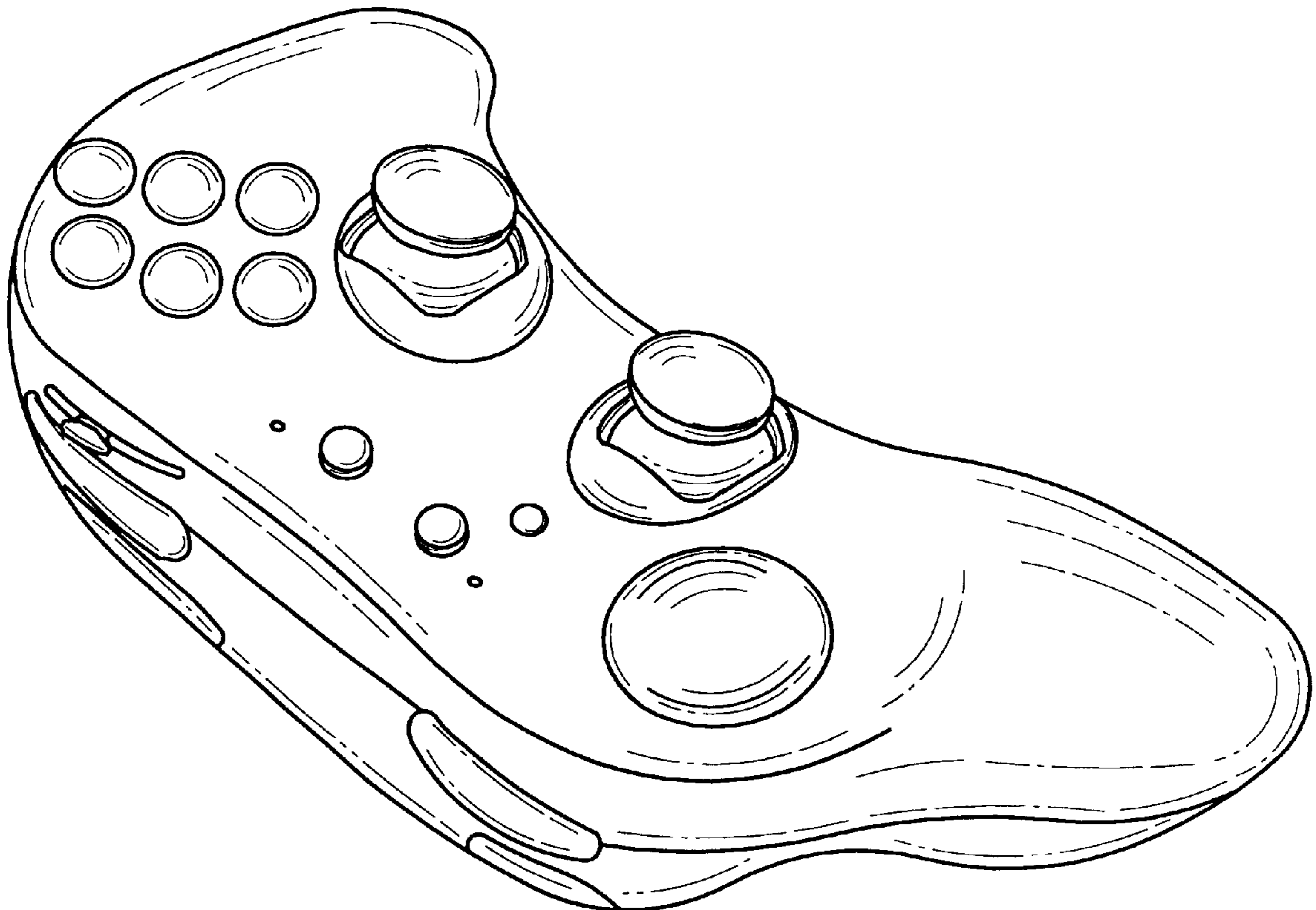
(57) **CLAIM**

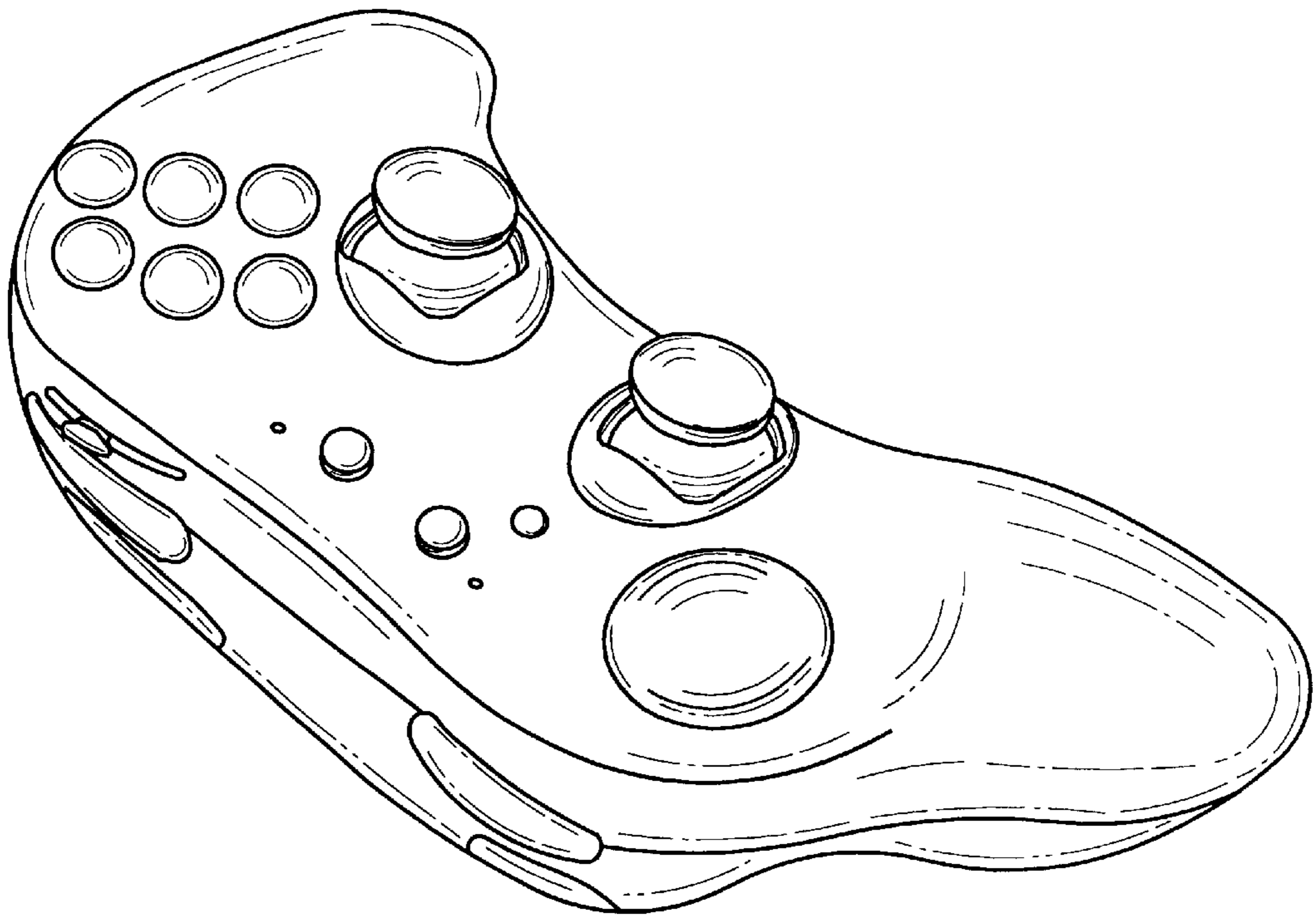
The ornamental design for game pad, as shown and described.

**DESCRIPTION**

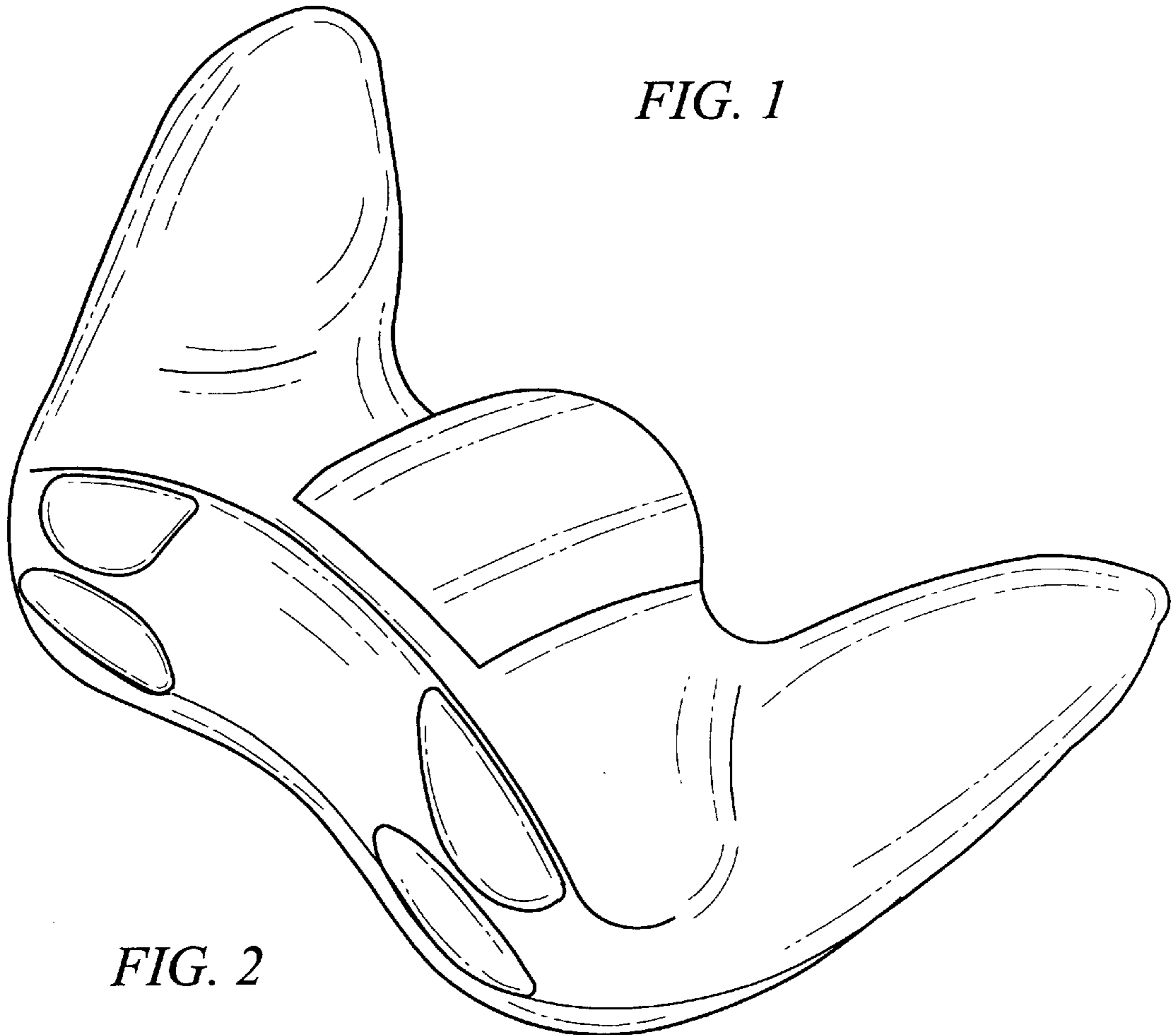
FIG. 1 is an upper perspective view of a game pad showing our new design;  
FIG. 2 is a lower perspective view thereof;  
FIG. 3 is a rear elevational view thereof;  
FIG. 4 is a front elevational view thereof;  
FIG. 5 is a left side elevational view thereof; and,  
FIG. 6 is a top plan view thereof.

**1 Claim, 3 Drawing Sheets**

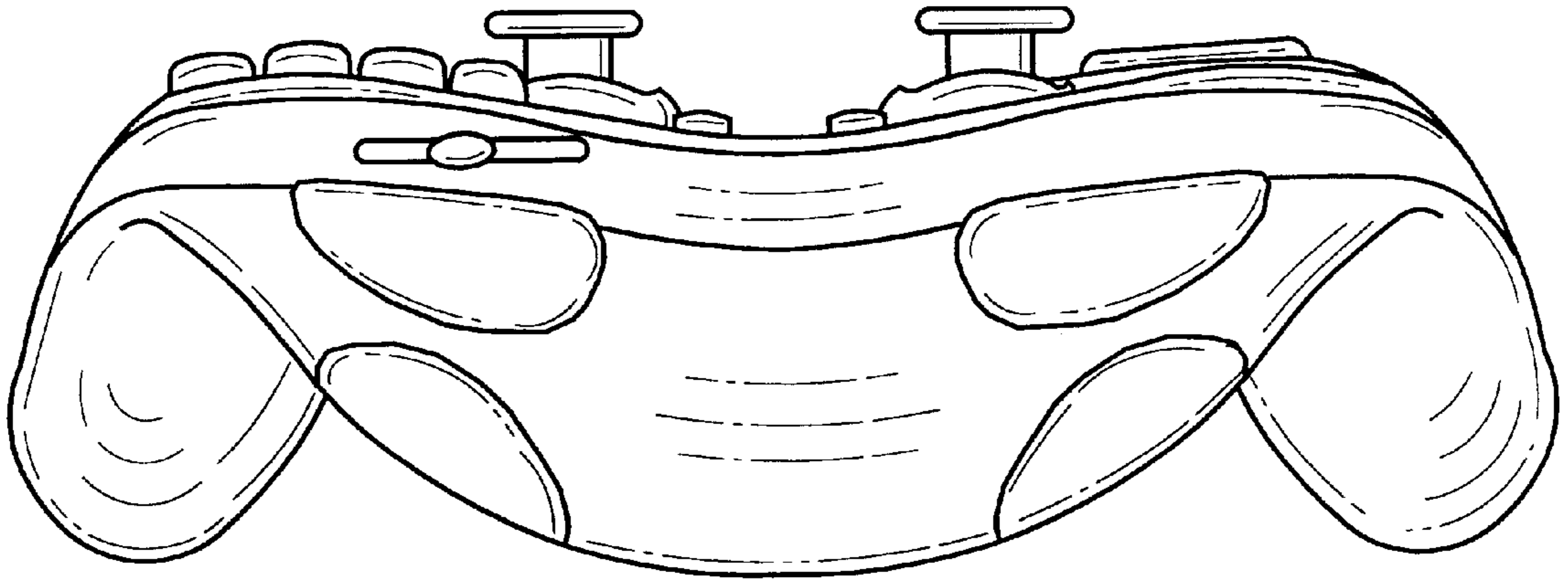




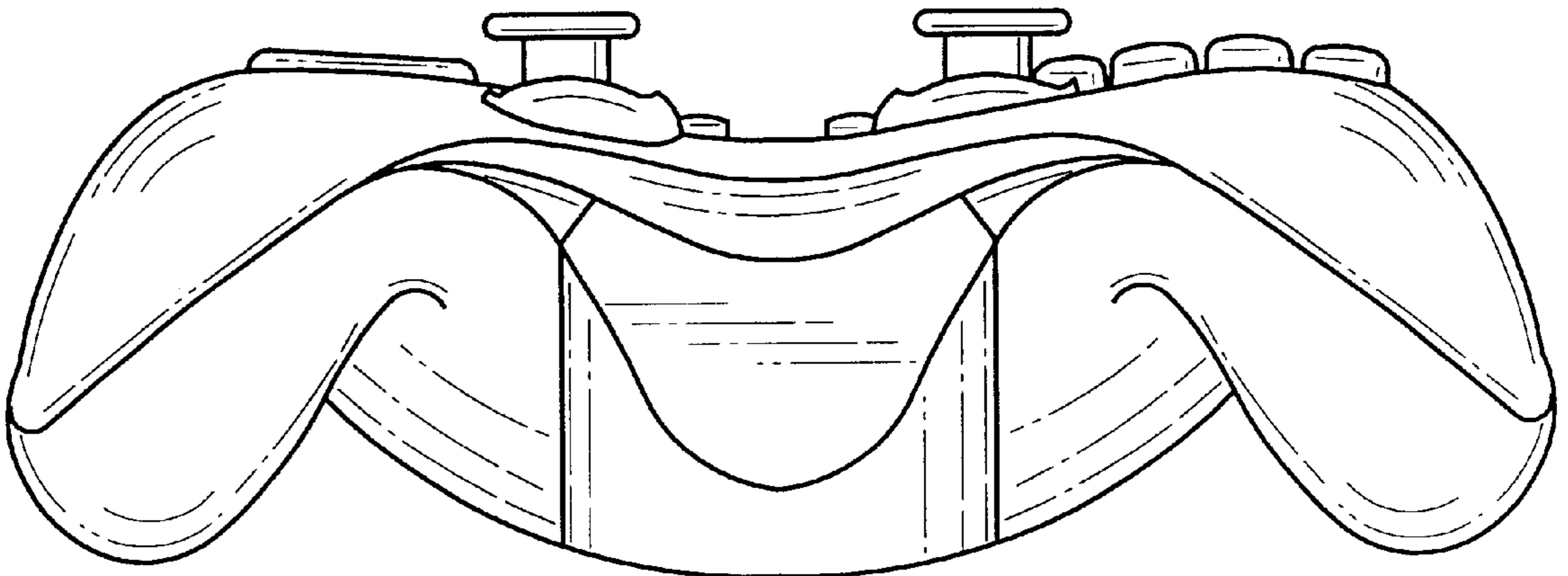
*FIG. 1*



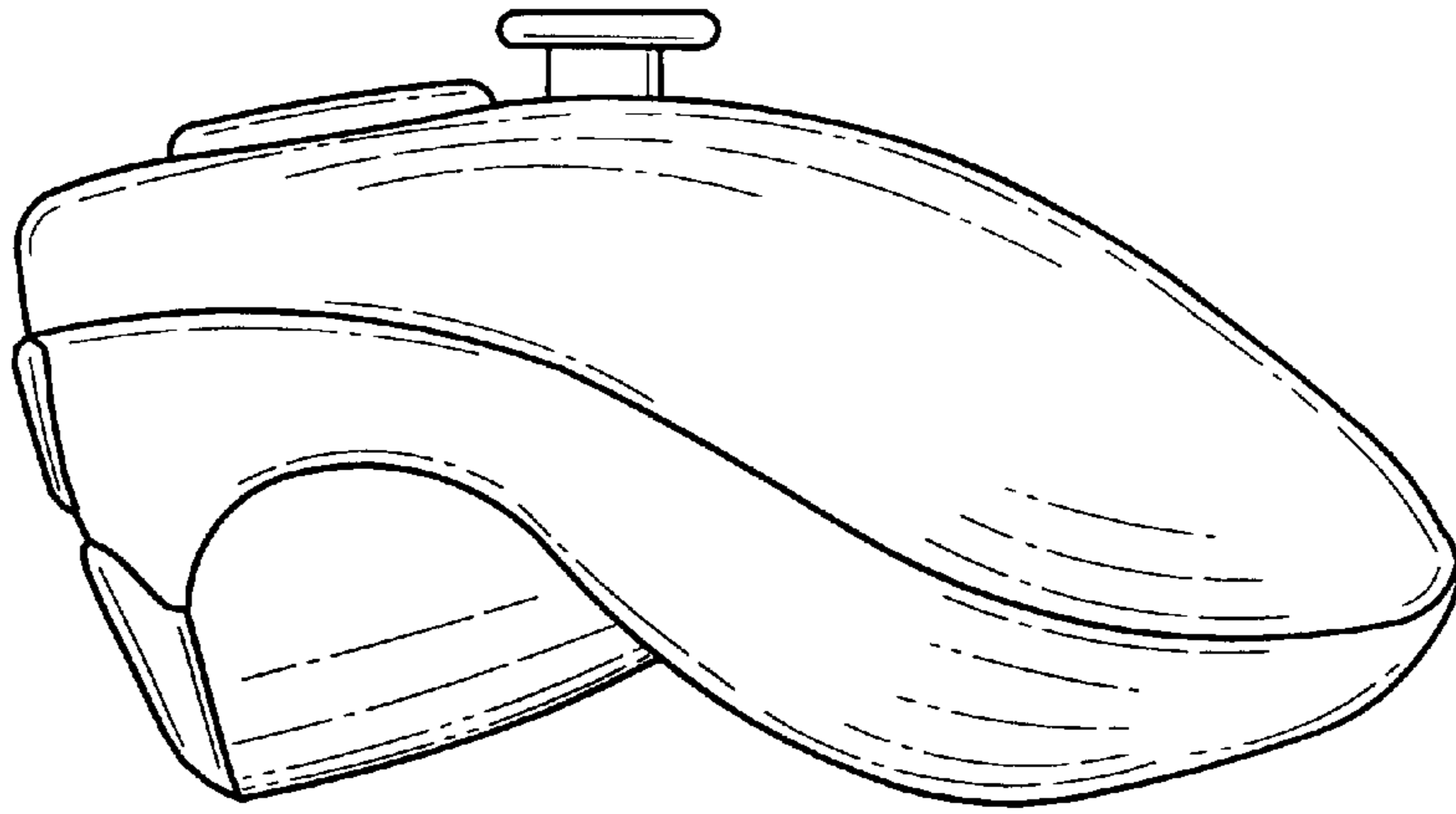
*FIG. 2*



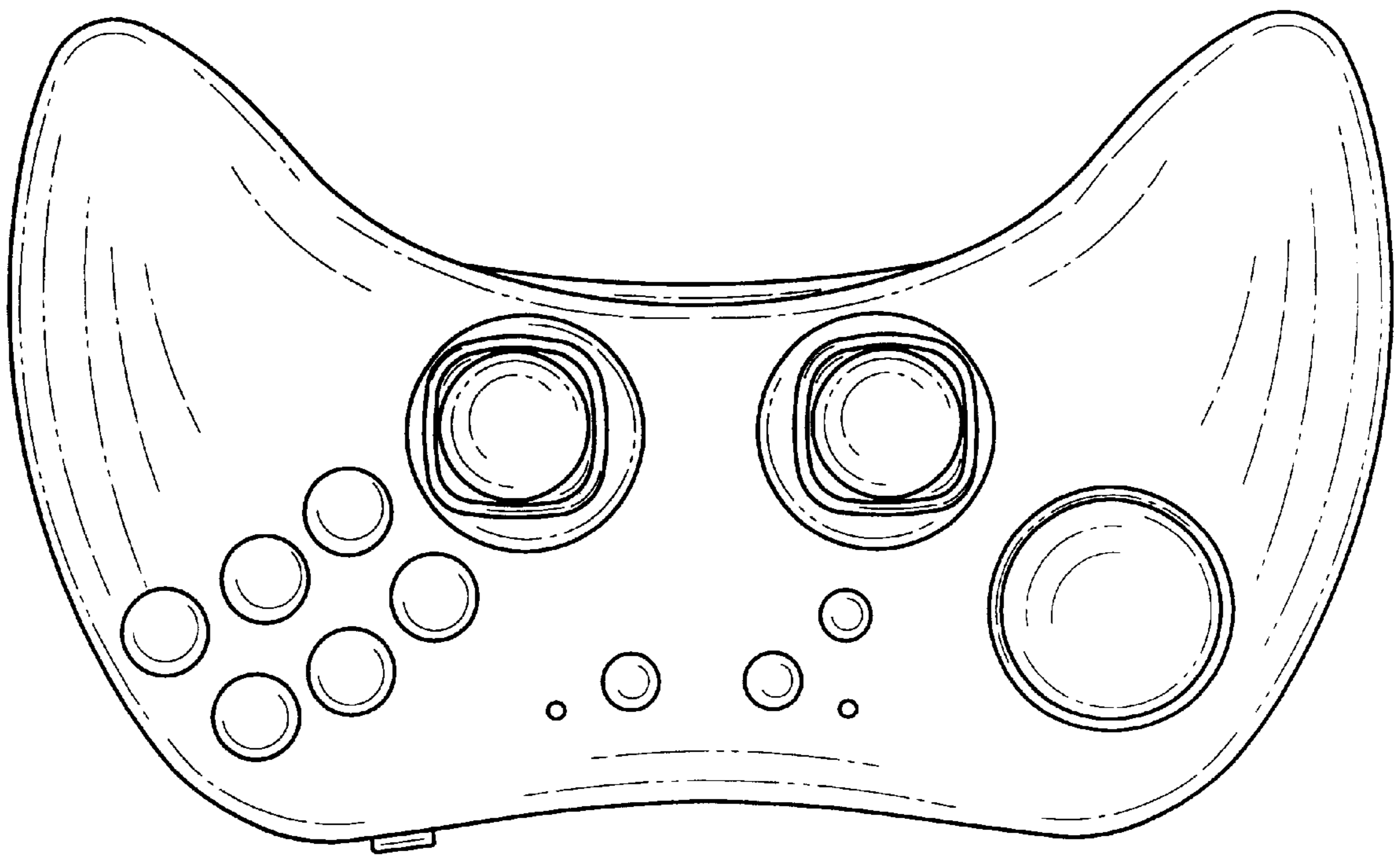
*FIG. 3*



*FIG. 4*



*FIG. 5*



*FIG. 6*