



US00D464347S

(12) **United States Design Patent**
Floyd

(10) **Patent No.:** **US D464,347 S**

(45) **Date of Patent:** **** *Oct. 15, 2002**

(54) **FREE-STANDING OVAL COMPUTER CHASSIS**

(75) **Inventor:** **Donovan Floyd**, Dallas, TX (US)

(73) **Assignee:** **M & P Ventures, Inc.**, Dallas, TX (US)

(*) **Notice:** This patent is subject to a terminal disclaimer.

(**) **Term:** **14 Years**

(21) **Appl. No.:** **29/144,887**

(22) **Filed:** **Jul. 12, 2001**

(51) **LOC (7) Cl.** **14-02**

(52) **U.S. Cl.** **D14/363; D14/356**

(58) **Field of Search** D14/348, 356, D14/361, 363, 349, 358, 302; D13/162, 184, 199, 147; D6/432, 436, 445, 448; 312/223.1-223.3, 194; 360/99.01-99.12; 361/690-696, 683; 369/34, 36; D21/333

(56) **References Cited**

U.S. PATENT DOCUMENTS

D382,255 S * 8/1997 Moffatt D14/358

D398,659 S * 9/1998 Yokoi D21/333
D411,178 S * 6/1999 Ikenaga D14/349
5,934,774 A * 8/1999 Wu et al. 312/223.2
6,147,859 A * 11/2000 Abboud 361/683

FOREIGN PATENT DOCUMENTS

JP 741479 * 8/1988

* cited by examiner

Primary Examiner—Freda Nunn

(74) *Attorney, Agent, or Firm*—Jackson Walker L.L.P.

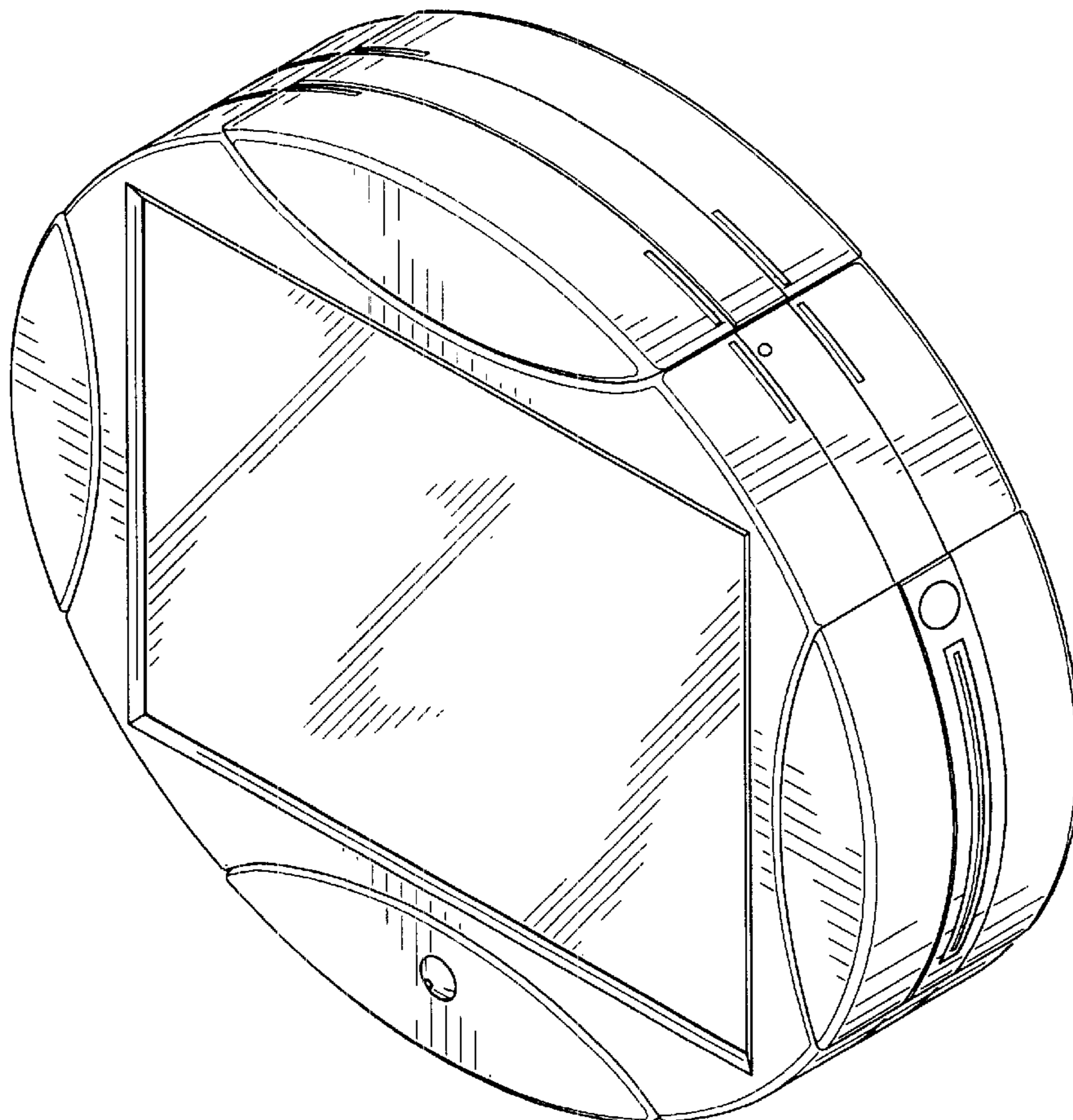
(57) **CLAIM**

The ornamental design for a “free-standing oval computer chassis”, as shown and described.

DESCRIPTION

FIG. 1 is a front perspective view of the free-standing oval computer chassis;
FIG. 2 is a front view thereof;
FIG. 3 is a right side view thereof;
FIG. 4 is a back view thereof;
FIG. 5 is a left side view thereof;
FIG. 6 is a top view thereof; and,
FIG. 7 is a rear perspective view thereof.

1 Claim, 4 Drawing Sheets



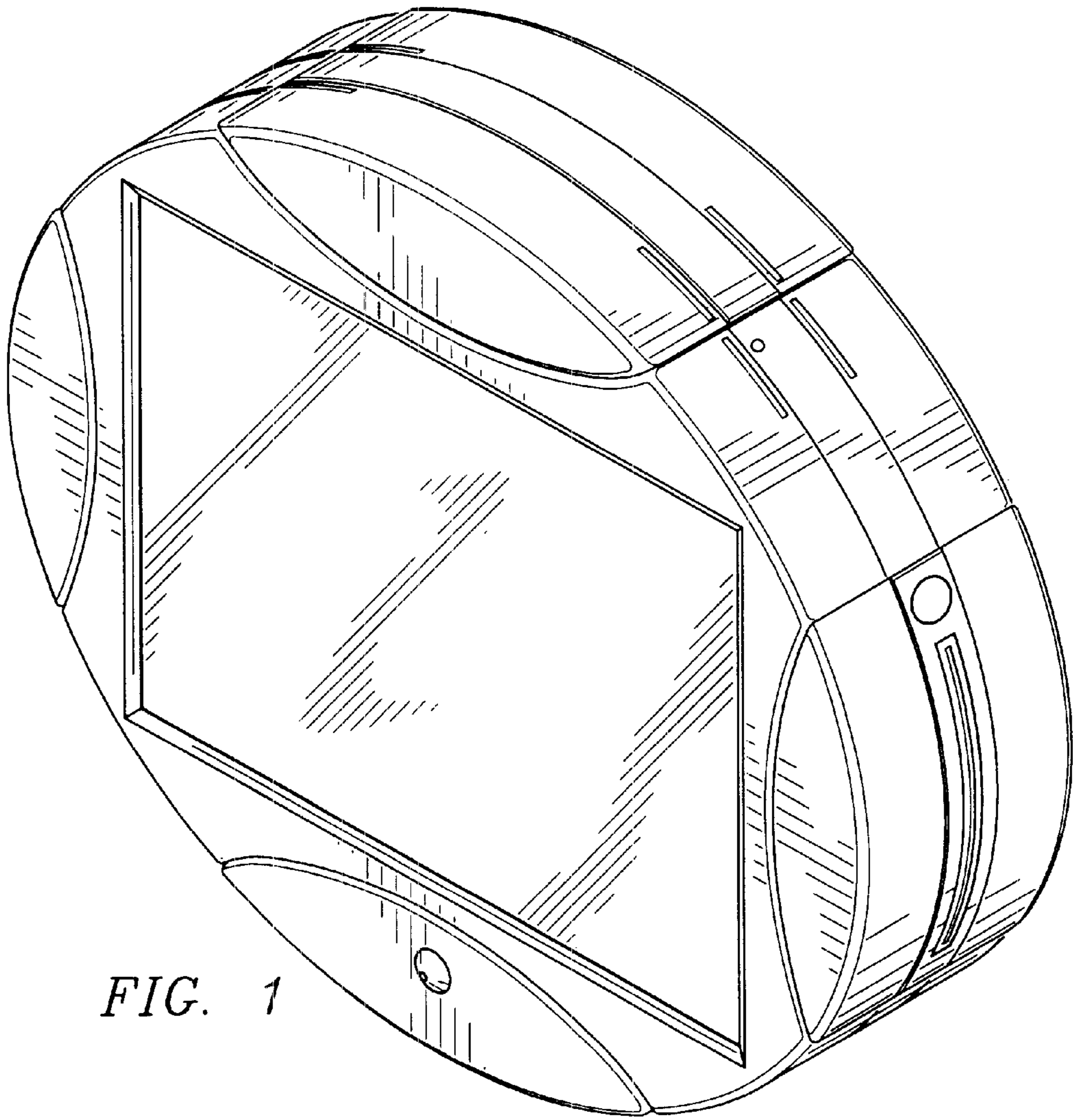


FIG. 1

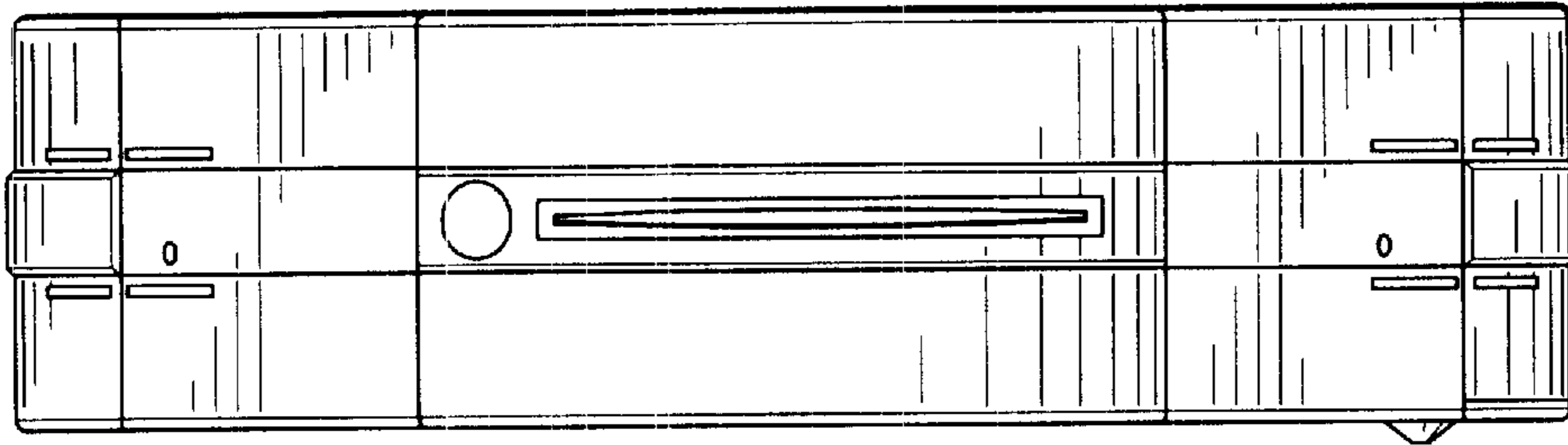


FIG. 3

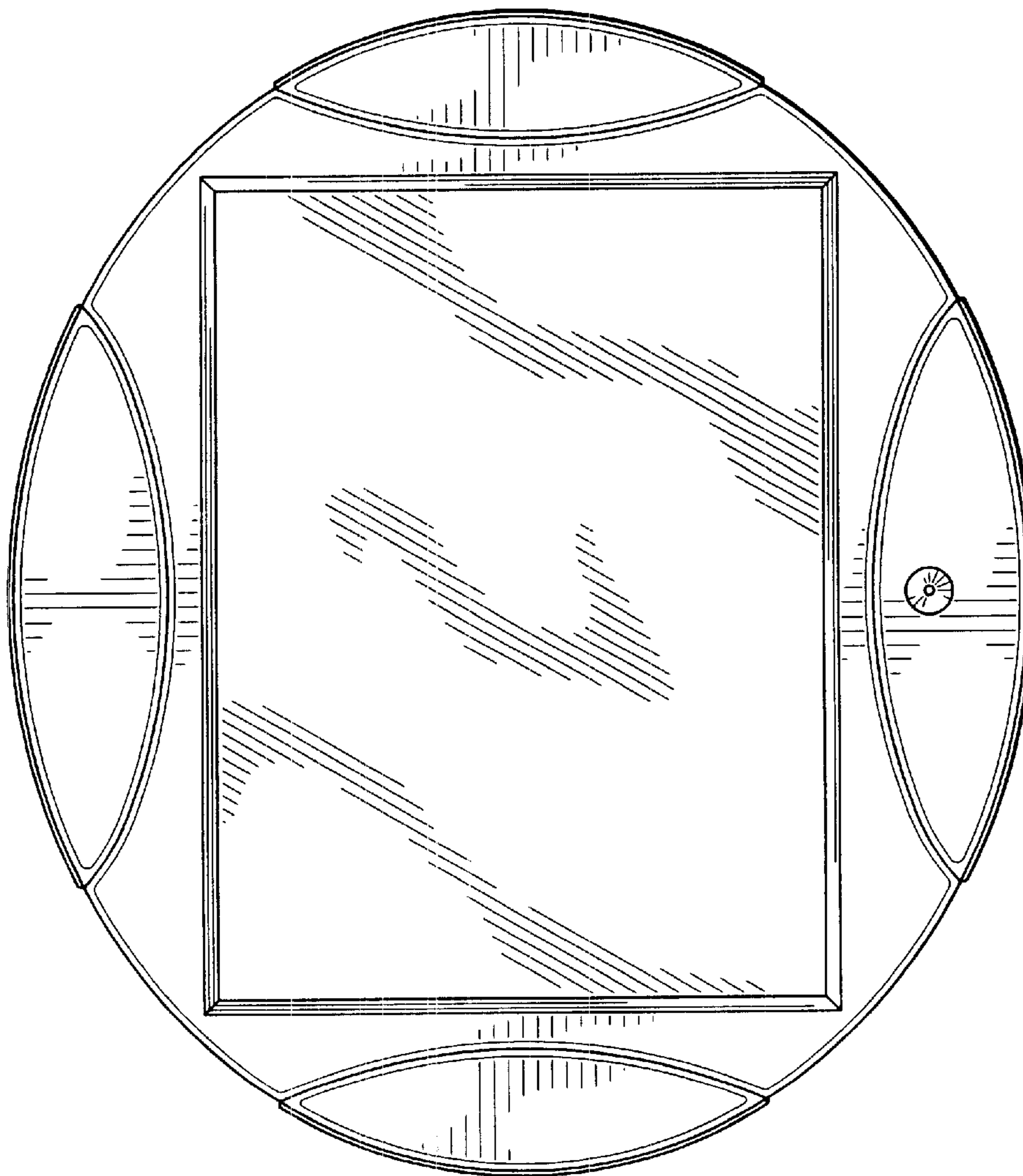


FIG. 2

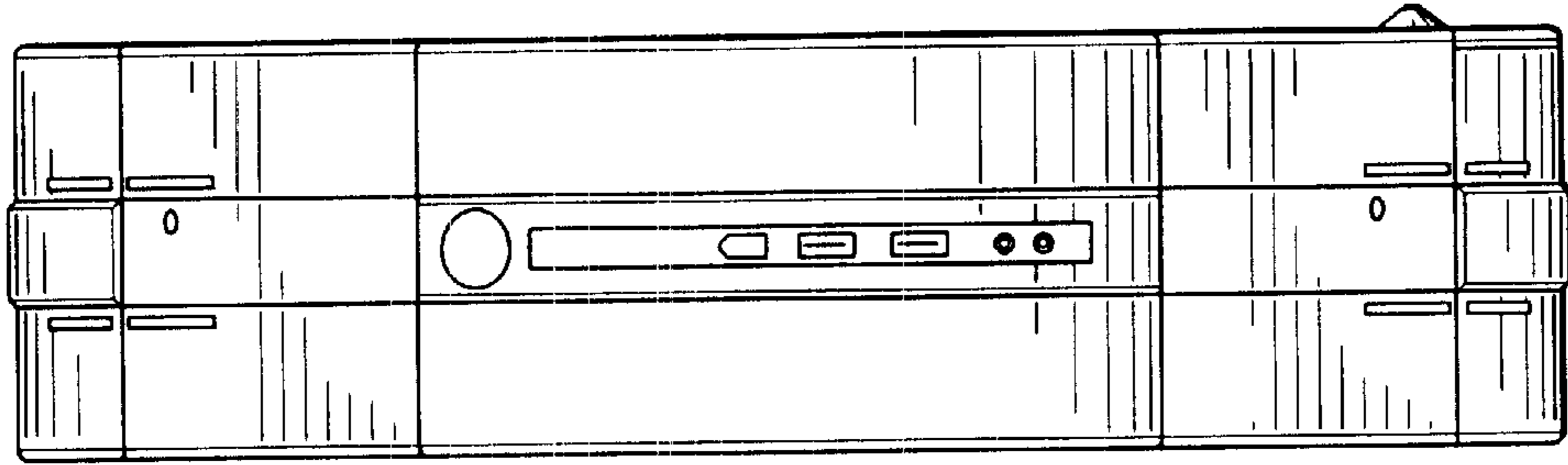


FIG. 5

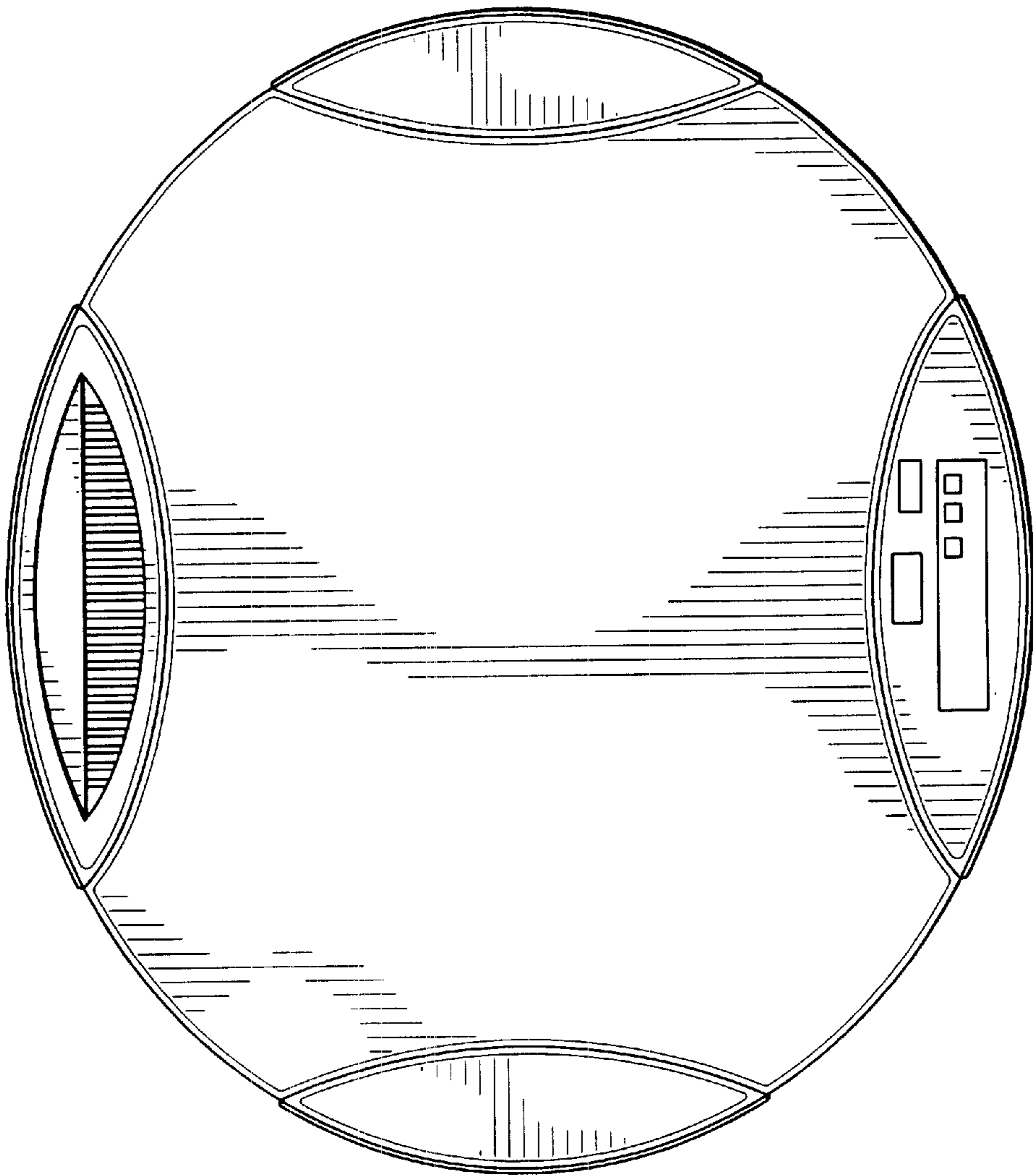


FIG. 4

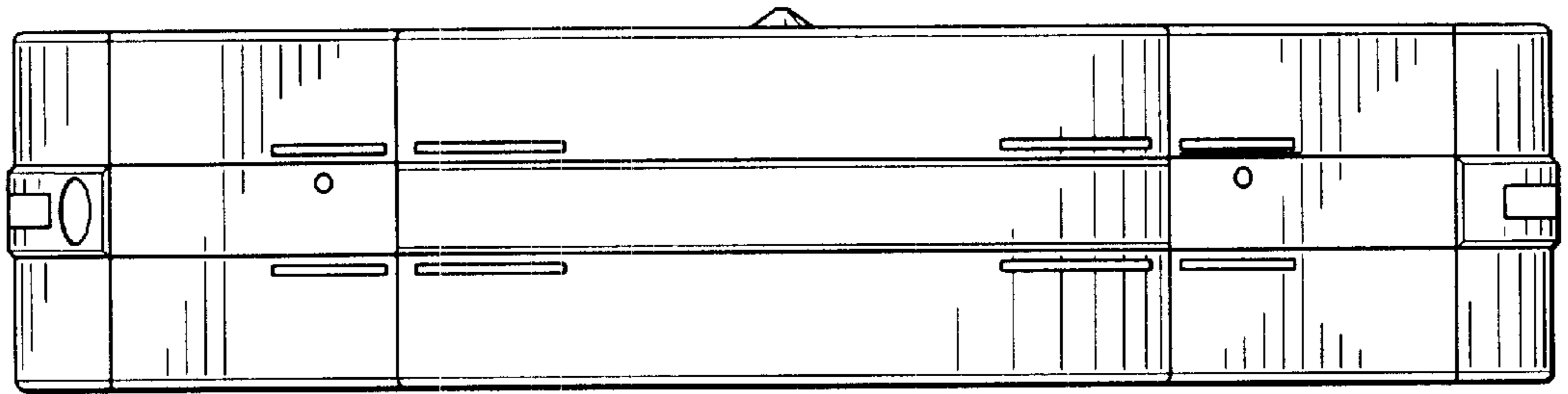


FIG. 6

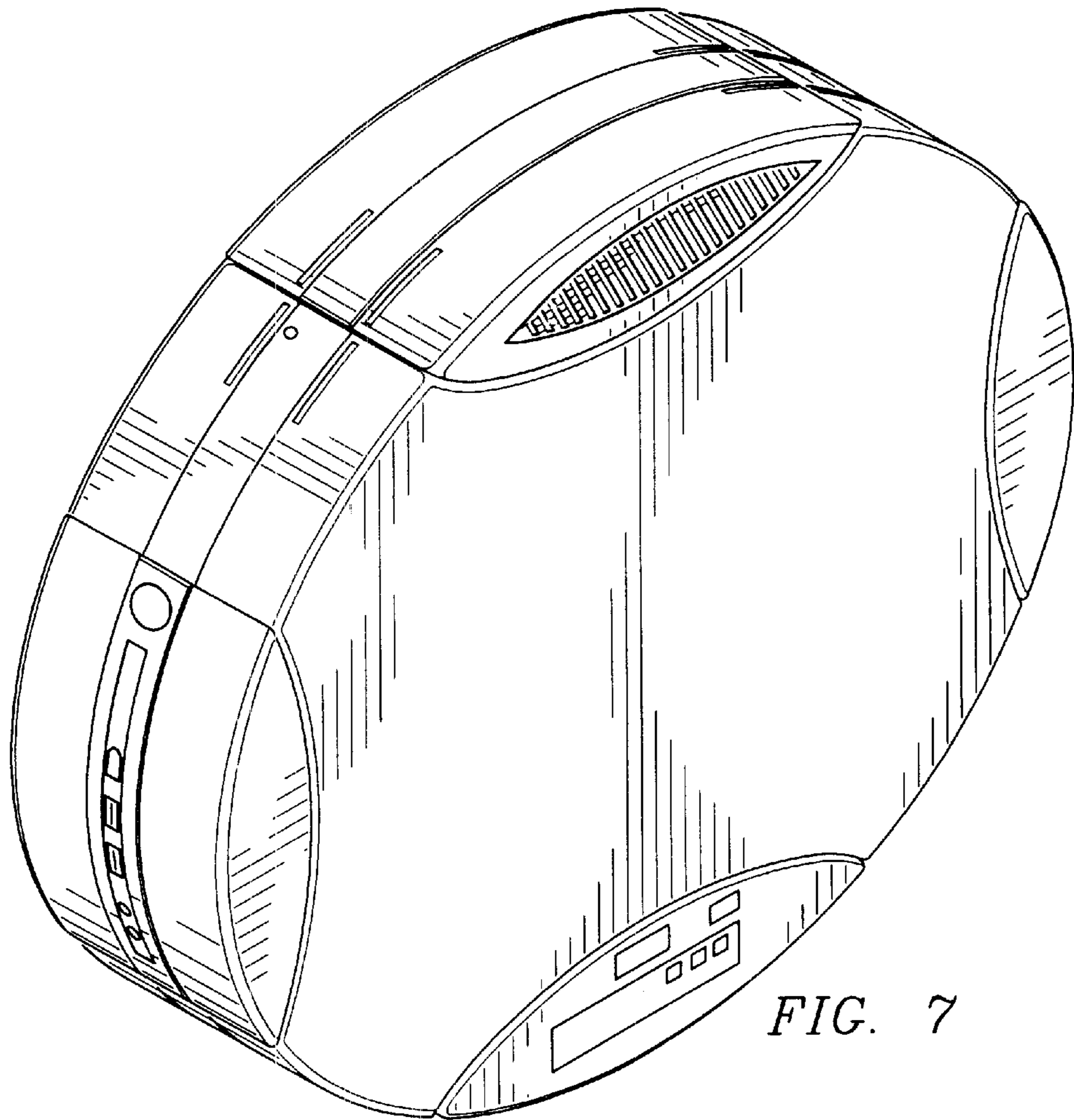


FIG. 7