



US00D464335S

(12) **United States Design Patent**  
**Glodava et al.**

(10) **Patent No.:** **US D464,335 S**

(45) **Date of Patent:** **\*\* Oct. 15, 2002**

(54) **REMOTE CONTROL**

(75) Inventors: **Derrick A. Glodava**, Arvada, CO (US);  
**Jerry Greenwald**, Lakewood, CO (US)

(73) Assignee: **U.S. Electronics, Inc.**, Littleton, CO  
(US)

(\*\*) Term: **14 Years**

(21) Appl. No.: **29/143,558**

(22) Filed: **Jun. 15, 2001**

(51) **LOC (7) Cl.** ..... **14-03**

(52) **U.S. Cl.** ..... **D14/218**

(58) **Field of Search** ..... D14/174, 217,  
D14/218, 167, 168, 191-193, 124, 299;  
D13/168, 162-164; D21/512-517, 566;  
D10/104, 106; 348/114, 734; 455/352-355,  
151.1-151.4

(56) **References Cited**

**U.S. PATENT DOCUMENTS**

- D387,352 S \* 12/1997 Kaneko et al. .... D14/218
- D393,628 S \* 4/1998 Ledbetter et al. .... D13/168
- D396,233 S \* 7/1998 Renk et al. .... D14/218
- D409,201 S \* 5/1999 Barraza et al. .... D14/218
- 5,973,757 A \* 10/1999 Aubuchon et al. .... D14/218

- D429,718 S \* 8/2000 Rudolph ..... D14/218
- D433,403 S \* 11/2000 Backs et al. .... D14/218

\* cited by examiner

*Primary Examiner*—Louis S. Zarfaz

*Assistant Examiner*—Deanne Levy

(74) *Attorney, Agent, or Firm*—Steinberg & Raskin, P.C.

(57) **CLAIM**

We claim the ornamental design for a remote control, as shown and described.

**DESCRIPTION**

FIG. 1 is a perspective view of a remote control according to the claimed design;

FIG. 2 is a top elevational view of the remote control shown in FIG. 1;

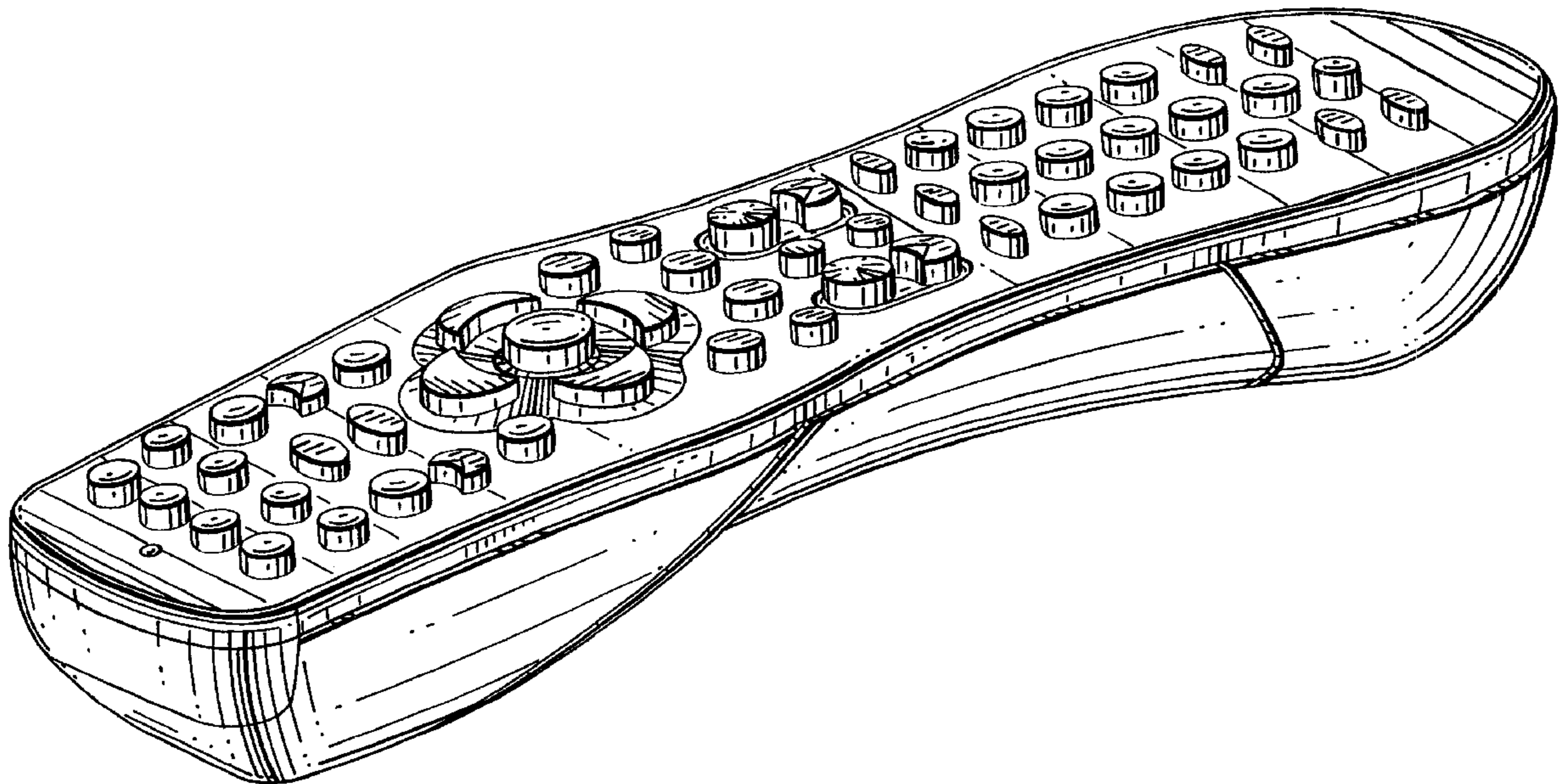
FIG. 3 is a front elevational view of the remote control shown in FIG. 1;

FIG. 4 is a rear elevational view of the remote control shown in FIG. 1;

FIG. 5 is a side elevational view of the remote control shown in FIG. 1 (each side of the remote control being a mirror image of the other); and,

FIG. 6 is a bottom elevational view of the remote control shown in FIG. 1.

**1 Claim, 3 Drawing Sheets**



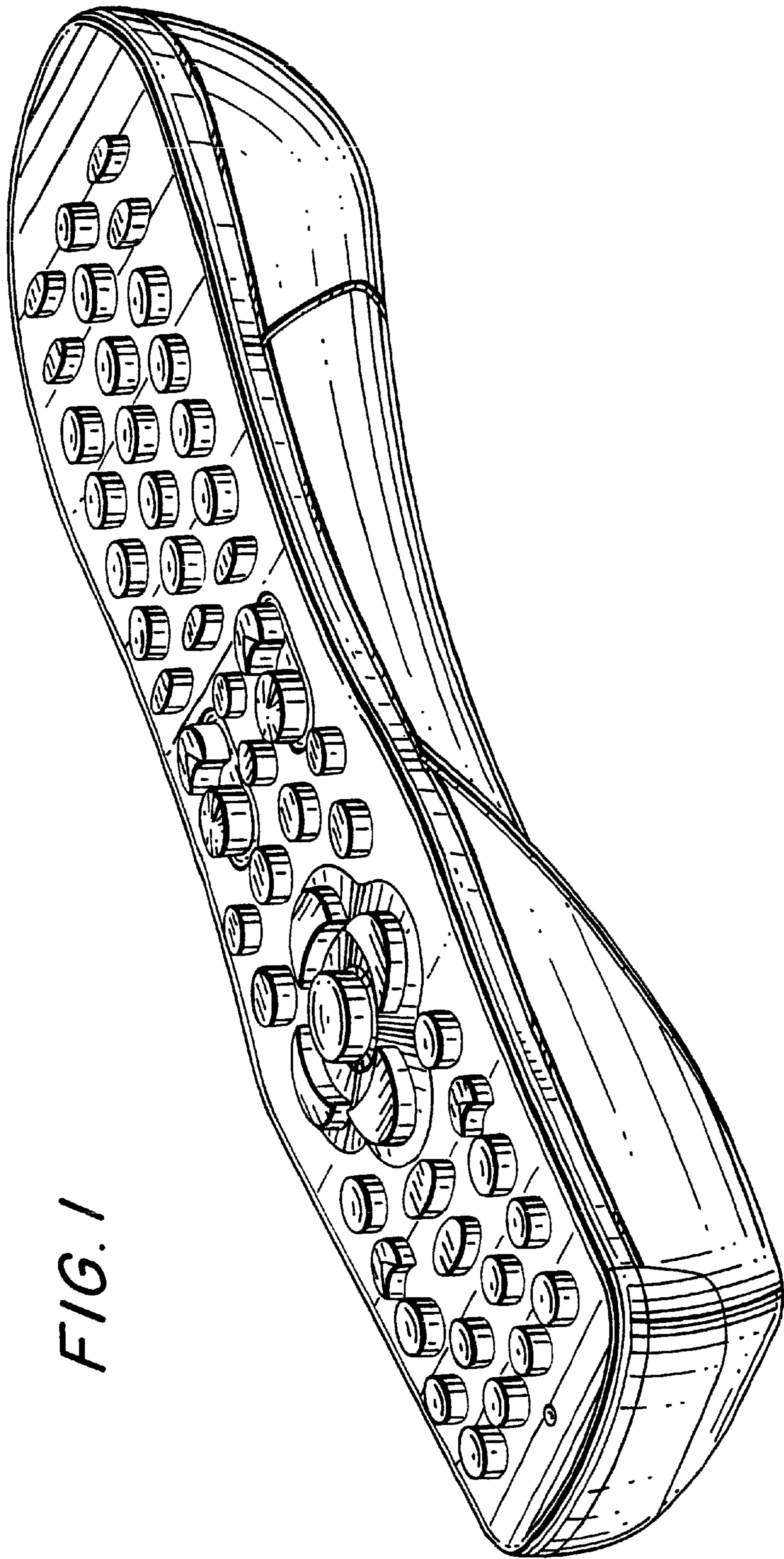


FIG. 1

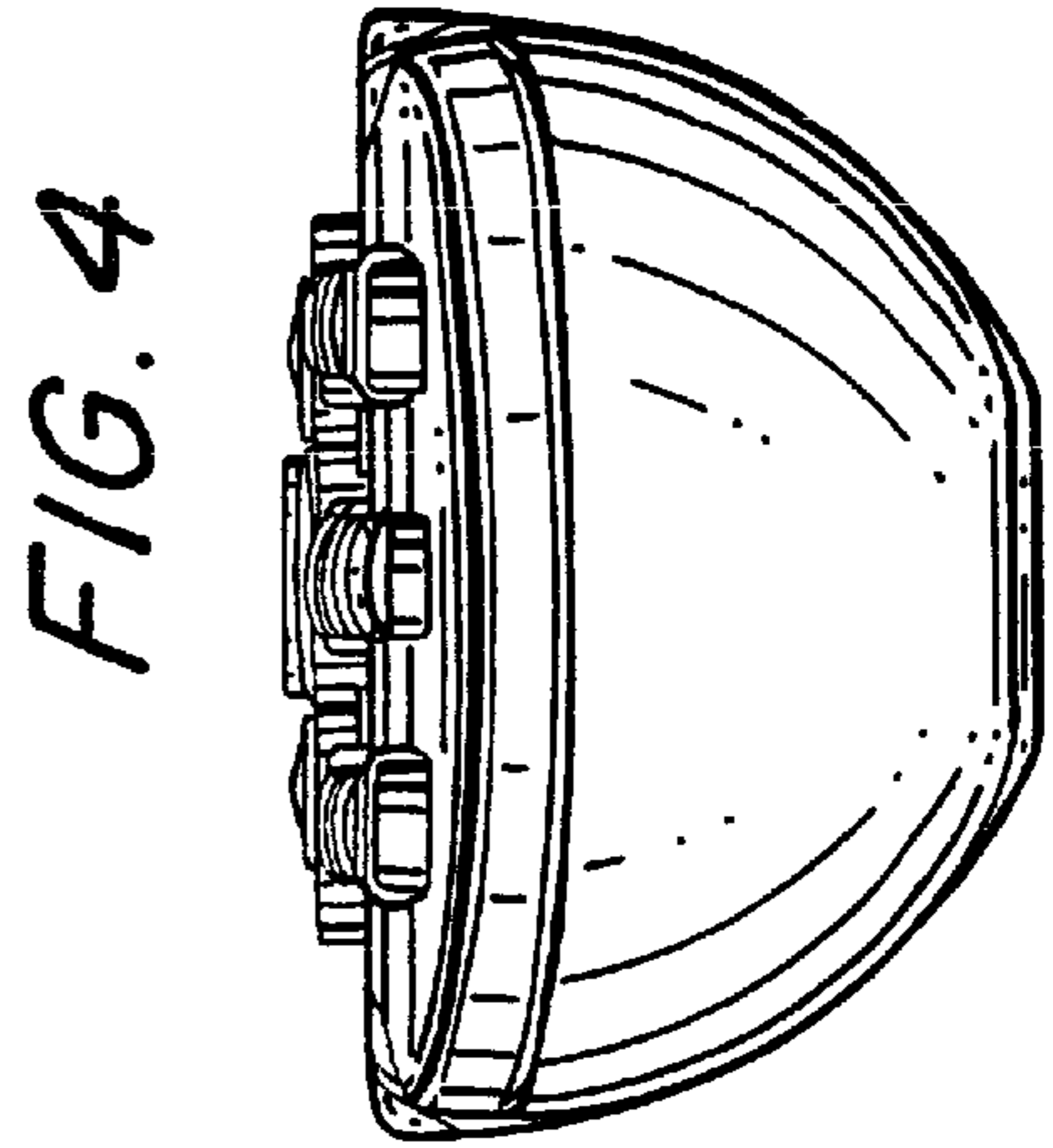
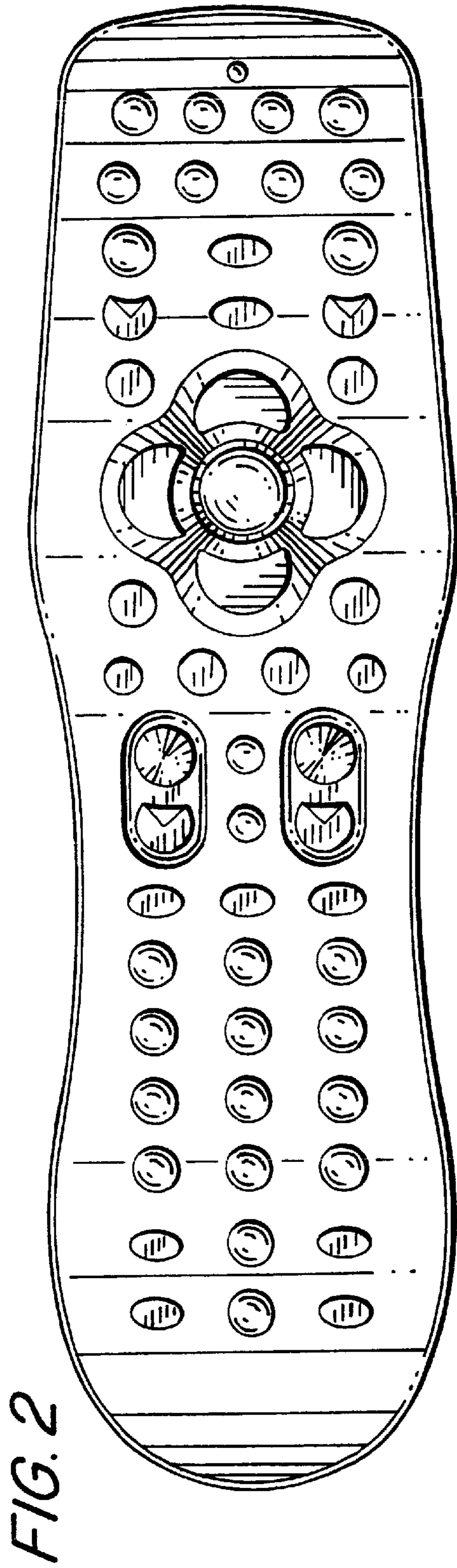


FIG. 4

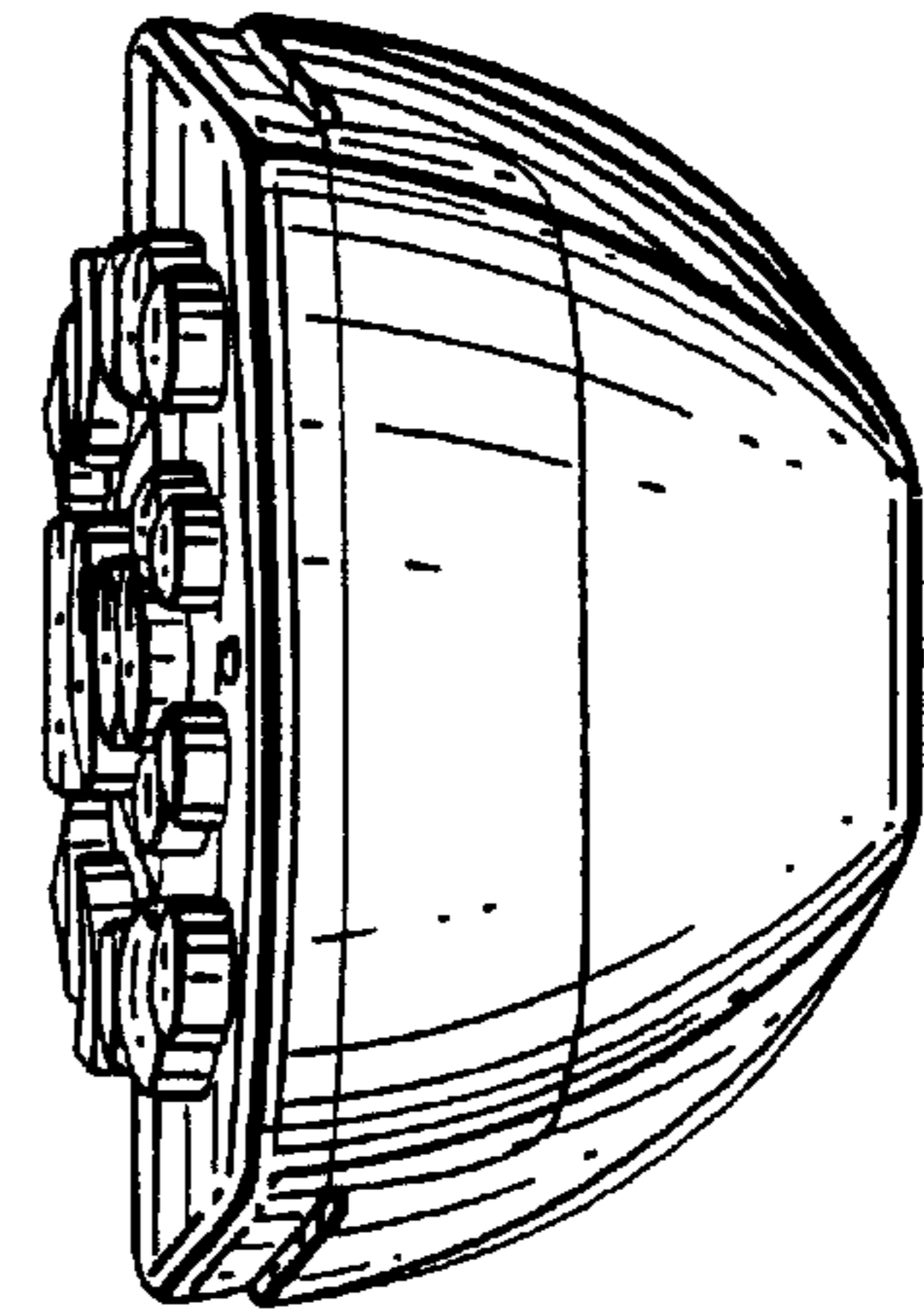


FIG. 3



FIG. 5

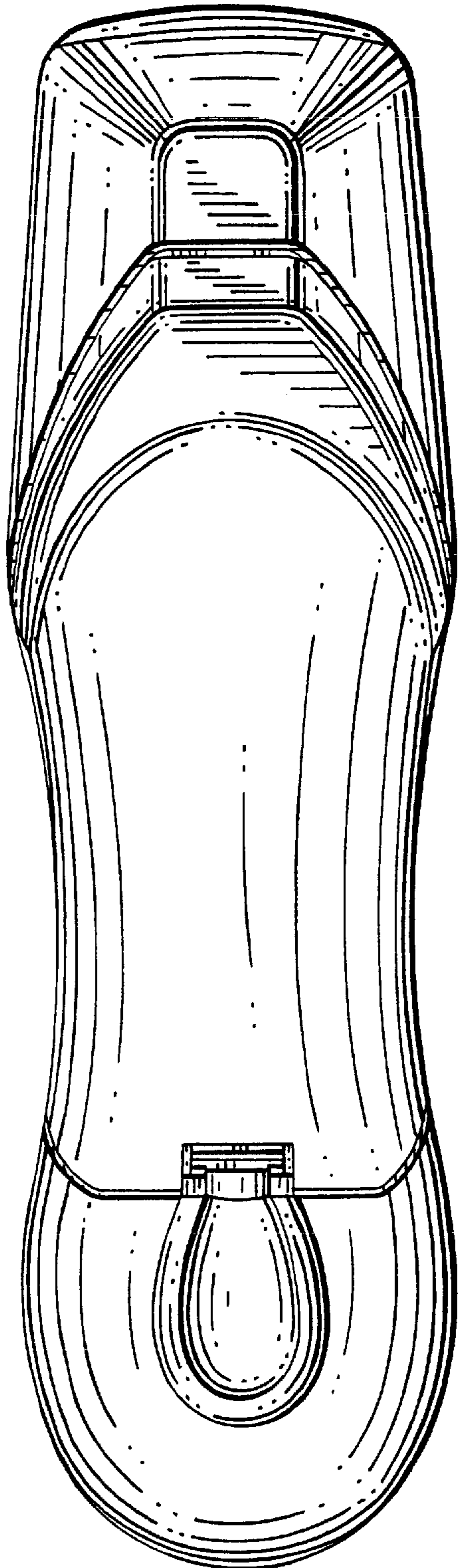
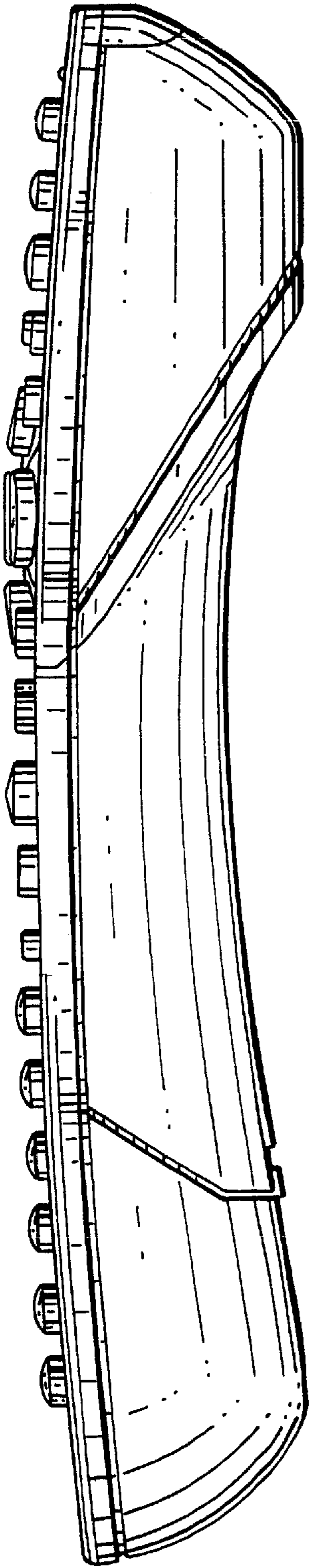


FIG. 6