



US00D464332S

(12) **United States Design Patent**
Kabasawa

(10) **Patent No.:** **US D464,332 S**

(45) **Date of Patent:** **** Oct. 15, 2002**

(54) **DISC SLOT FOR OPTICAL DISC DRIVE**

(75) Inventor: **Hidetoshi Kabasawa**, Musashino (JP)

(73) Assignee: **Teac Corporation**, Tokyo (JP)

(**) Term: **14 Years**

(21) Appl. No.: **29/137,663**

(22) Filed: **Feb. 26, 2001**

(30) **Foreign Application Priority Data**

Aug. 29, 2000 (JP) 2000-023762

(51) **LOC (7) Cl.** **14-01**

(52) **U.S. Cl.** **D14/136; D14/217**

(58) **Field of Search** D14/135-136,
D14/156-157, 167-168, 188, 197-198,
257-258, 217; 369/75.1, 75.2, 77.1, 77.2;
455/344, 347, 350-351

(56) **References Cited**

U.S. PATENT DOCUMENTS

D270,442 S * 9/1983 O'Leary et al. D14/136

D416,018 S * 11/1999 Ito et al. D14/156
D421,260 S * 2/2000 Hyogo D14/167
D434,022 S * 11/2000 Takahashi D14/156
D435,532 S * 12/2000 Hidatsune D14/156

* cited by examiner

Primary Examiner—Nanda Bondade

(74) *Attorney, Agent, or Firm*—Ladas & Parry

(57) **CLAIM**

The ornamental design for a disc slot for optical disc drive, as shown and described.

DESCRIPTION

FIG. 1 is a front view of a disc slot for optical drive showing my new design;

FIG. 2 is an enlarged perspective view thereof;

FIG. 3 is an enlarged front view thereof;

FIG. 4 is a vertical sectional view thereof; taken along the line 4-4 of FIG. 1; and,

FIG. 5 is an enlarged vertical sectional view of FIG. 4.

The broken lines in FIGS. 1, 2, 4 and 5 are for illustrative purposes only and form no part of the claimed design.

1 Claim, 4 Drawing Sheets

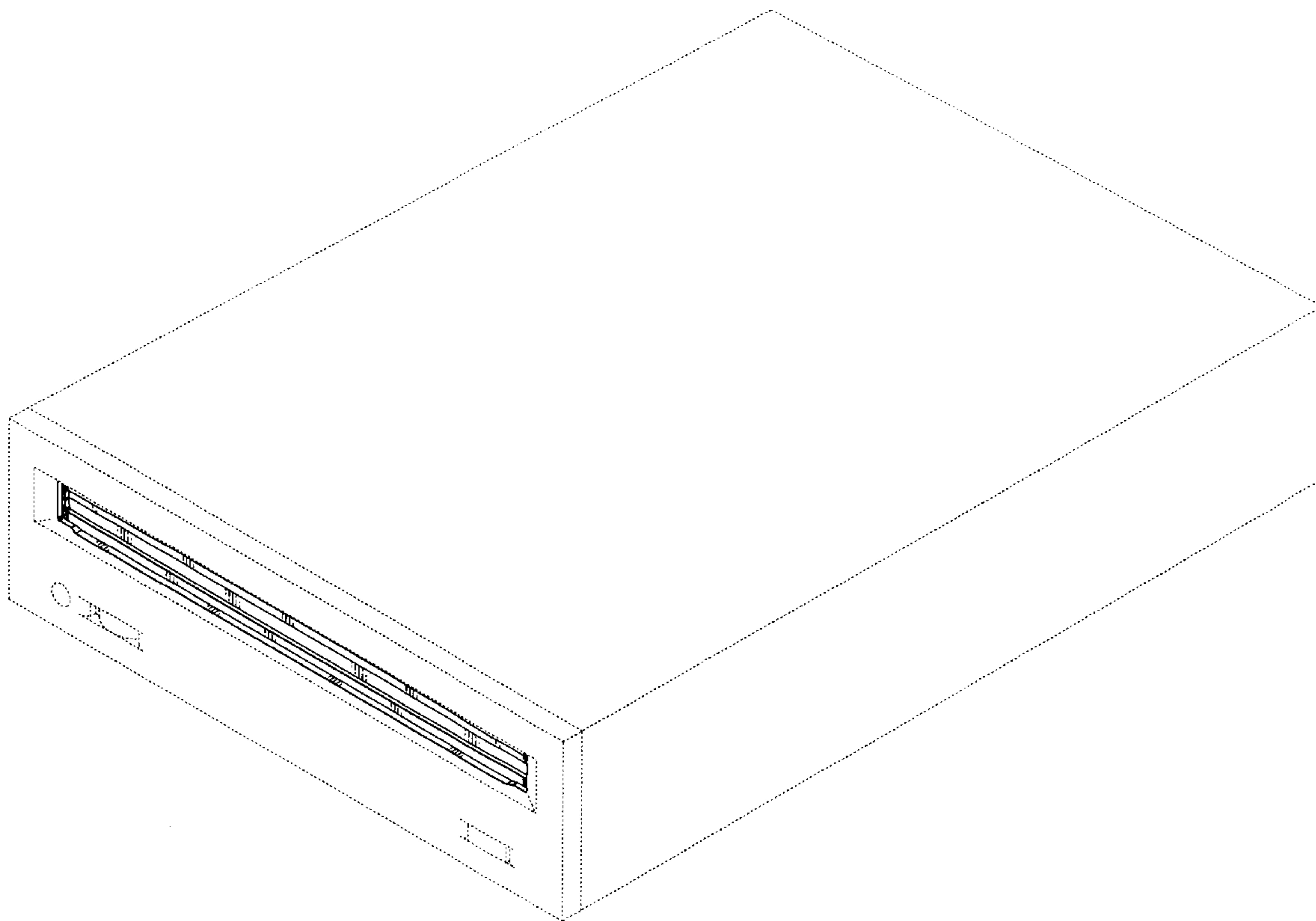
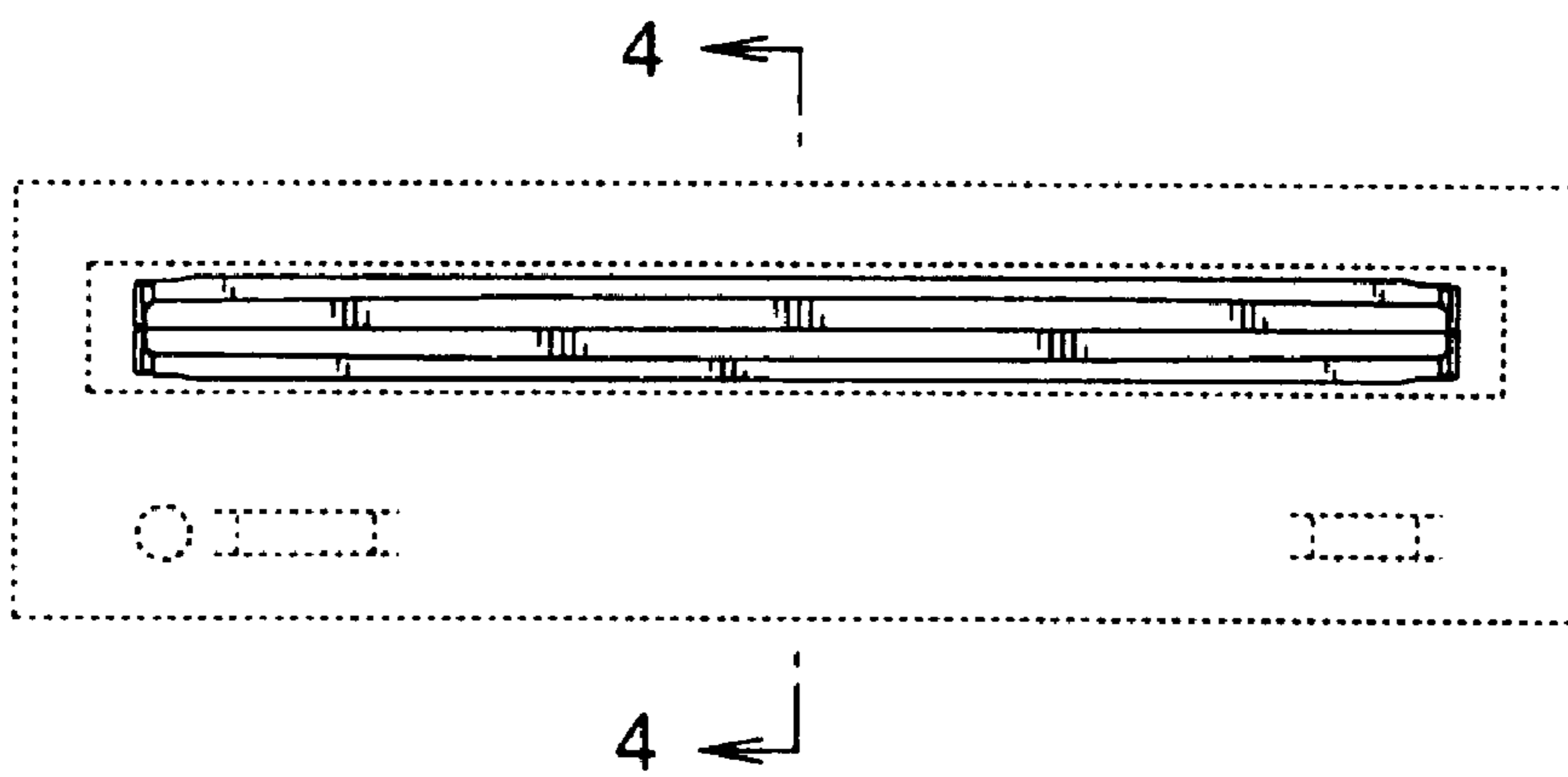


FIG. 1



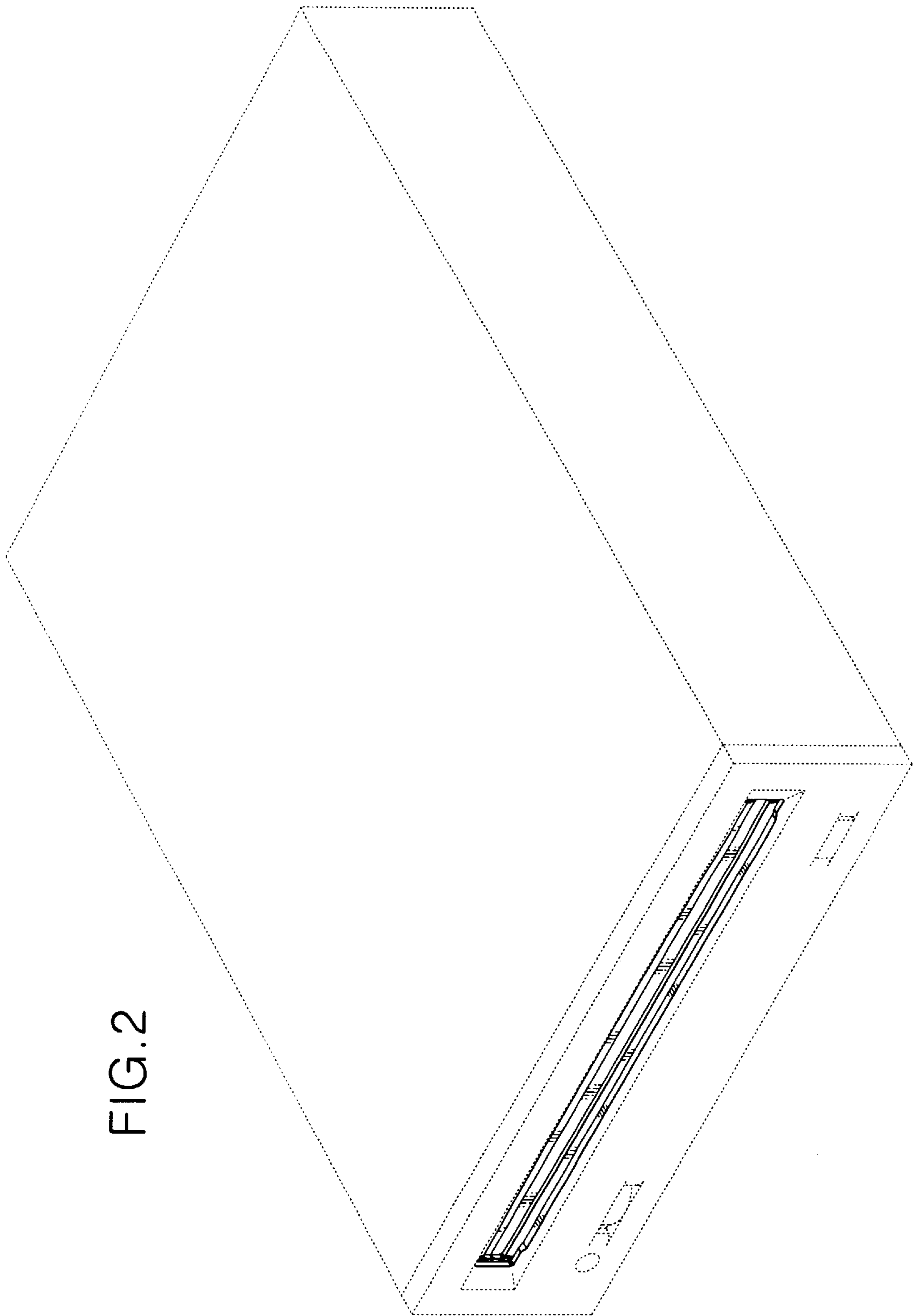


FIG. 2

FIG. 3

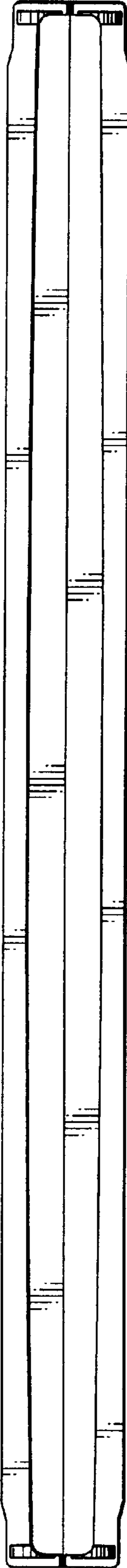


FIG. 4

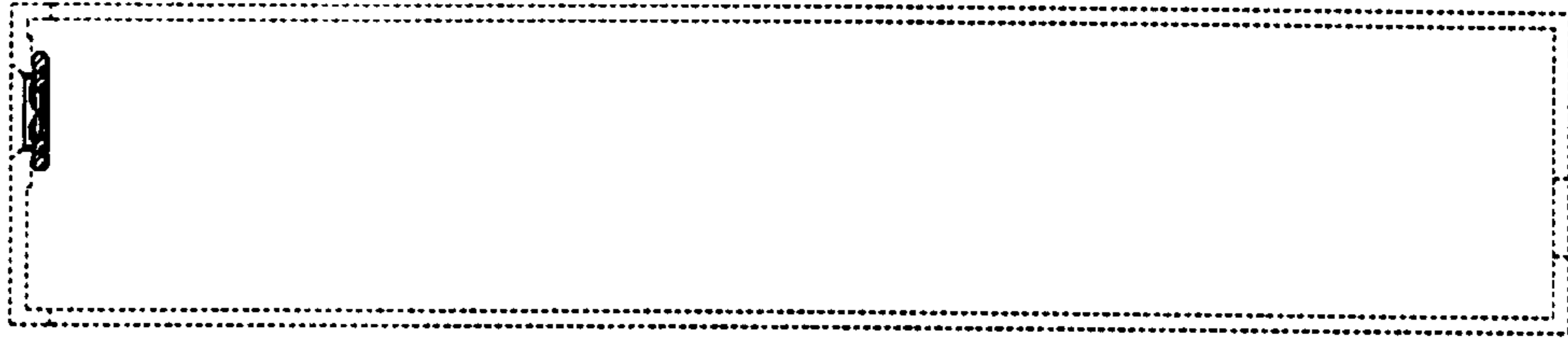


FIG. 5

