



US00D464330S

(12) **United States Design Patent**
Zarker, Jr.

(10) **Patent No.:** **US D464,330 S**

(45) **Date of Patent:** **** Oct. 15, 2002**

(54) **SINK WITH CABINET**

D287,748 S * 1/1987 Landan et al. D23/286
5,781,942 A * 7/1998 Allen et al. 4/628 X

(75) **Inventor:** **Harper F. Zarker, Jr.**, Vincentown, NJ
(US)

* cited by examiner

(73) **Assignee:** **American Shower and Bath Corp.**,
Morrestown, NJ (US)

Primary Examiner—Louis S. Zarfaz

Assistant Examiner—Robert A. Delehanty

(**) **Term:** **14 Years**

(74) *Attorney, Agent, or Firm*—Edgar A. Zarins; Lloyd D.
Doigan

(21) **Appl. No.:** **29/148,316**

(57) **CLAIM**

(22) **Filed:** **Sep. 18, 2001**

The ornamental design for a sink with cabinet, as shown and
described.

(51) **LOC (7) Cl.** **23-02**

DESCRIPTION

(52) **U.S. Cl.** **D13/286**

FIG. 1 is a perspective view of a sink with cabinet showing
my new design;

(58) **Field of Search** D23/271, 273,
D23/284-287, 289-292, 293.1, 303, 308;

FIG. 2 is a front elevational view thereof;

4/619-620, 624-628, 630-635, 637-643,

FIG. 3 is a left side view thereof;

647-652, 656-657, 660-661, 515-517

FIG. 4 is a rear elevational view thereof;

FIG. 5 is a right side view thereof;

(56) **References Cited**

FIG. 6 is a top plan view thereof; and,

U.S. PATENT DOCUMENTS

FIG. 7 is a bottom plan view thereof.

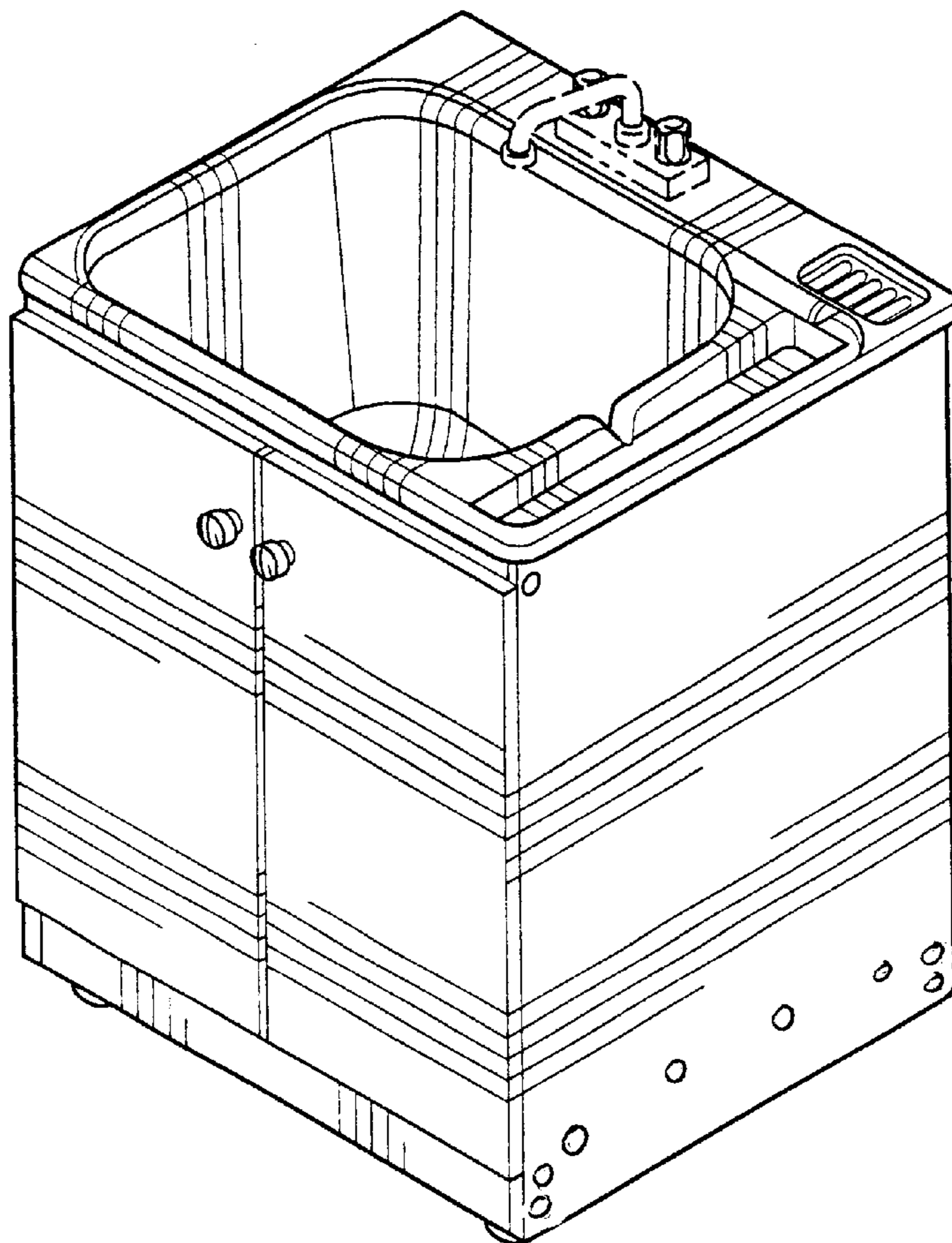
3,333,282 A * 8/1967 Mustee 4/460

The broken line showing of a faucet fixture is for illustrative
purposes only and forms no part of the claimed design.

D230,402 S * 2/1974 Graning, Jr. D23/287

D251,256 S * 3/1979 Newburger D23/271

1 Claim, 2 Drawing Sheets



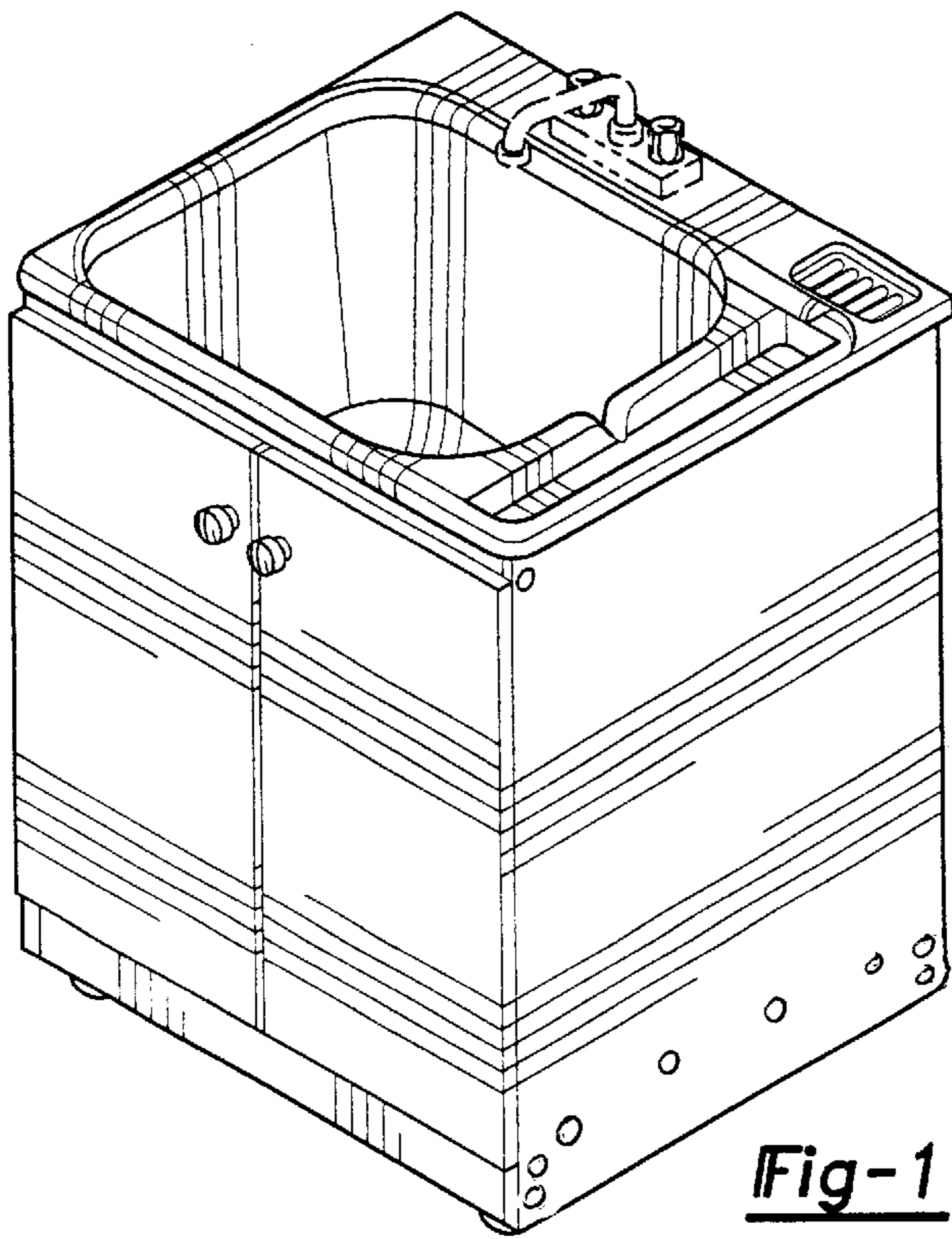


Fig-1

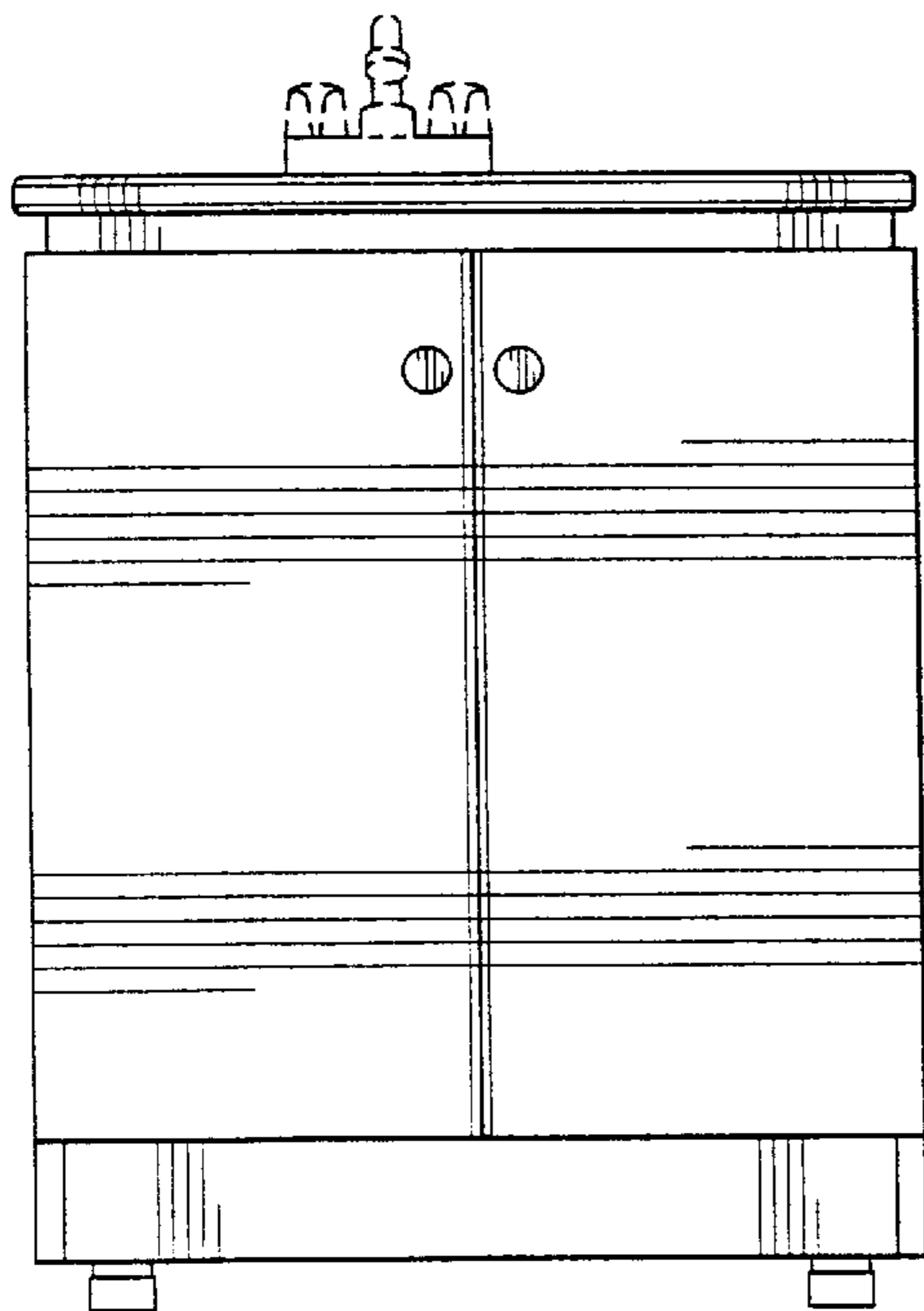


Fig-2

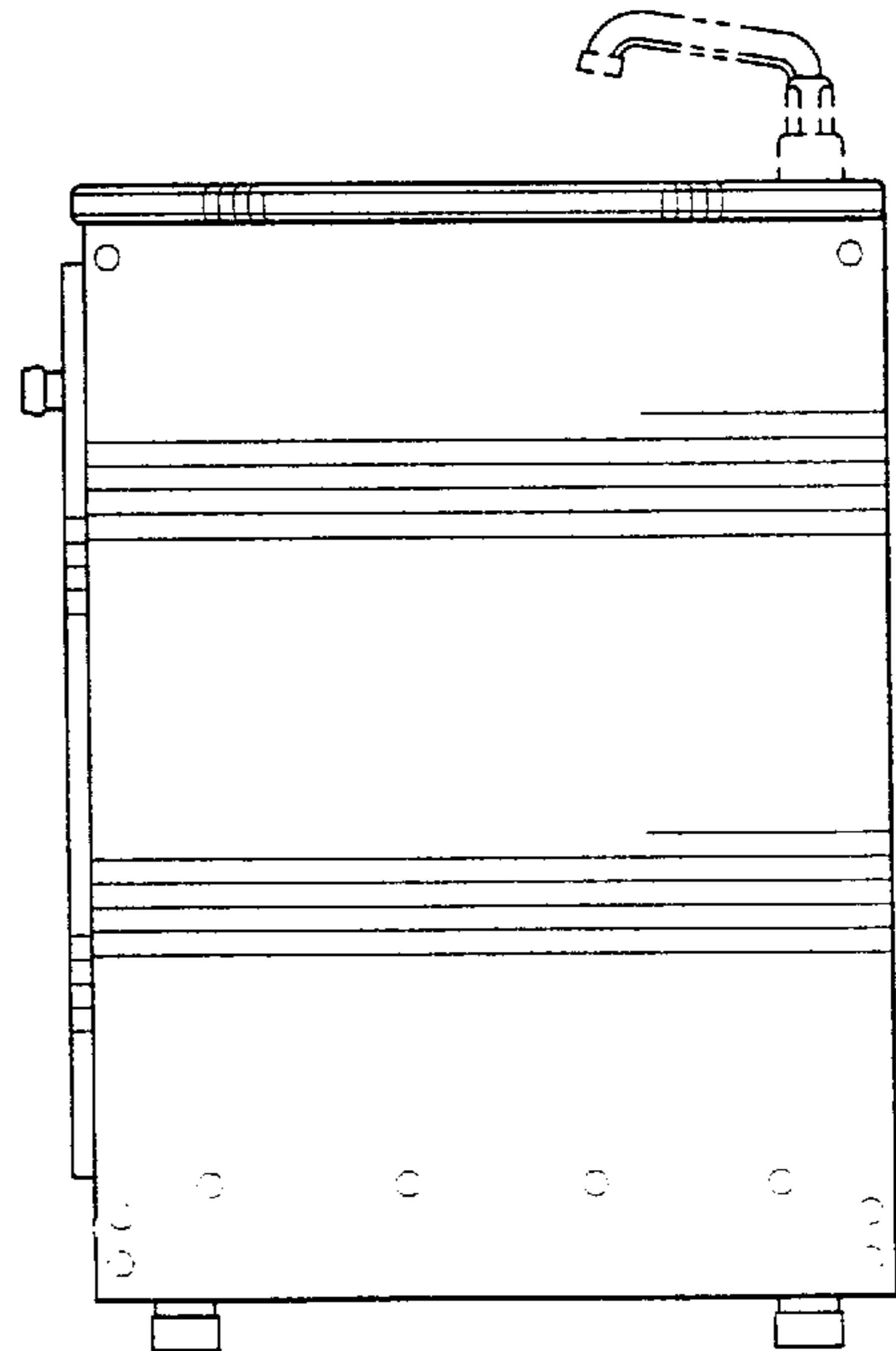


Fig-3

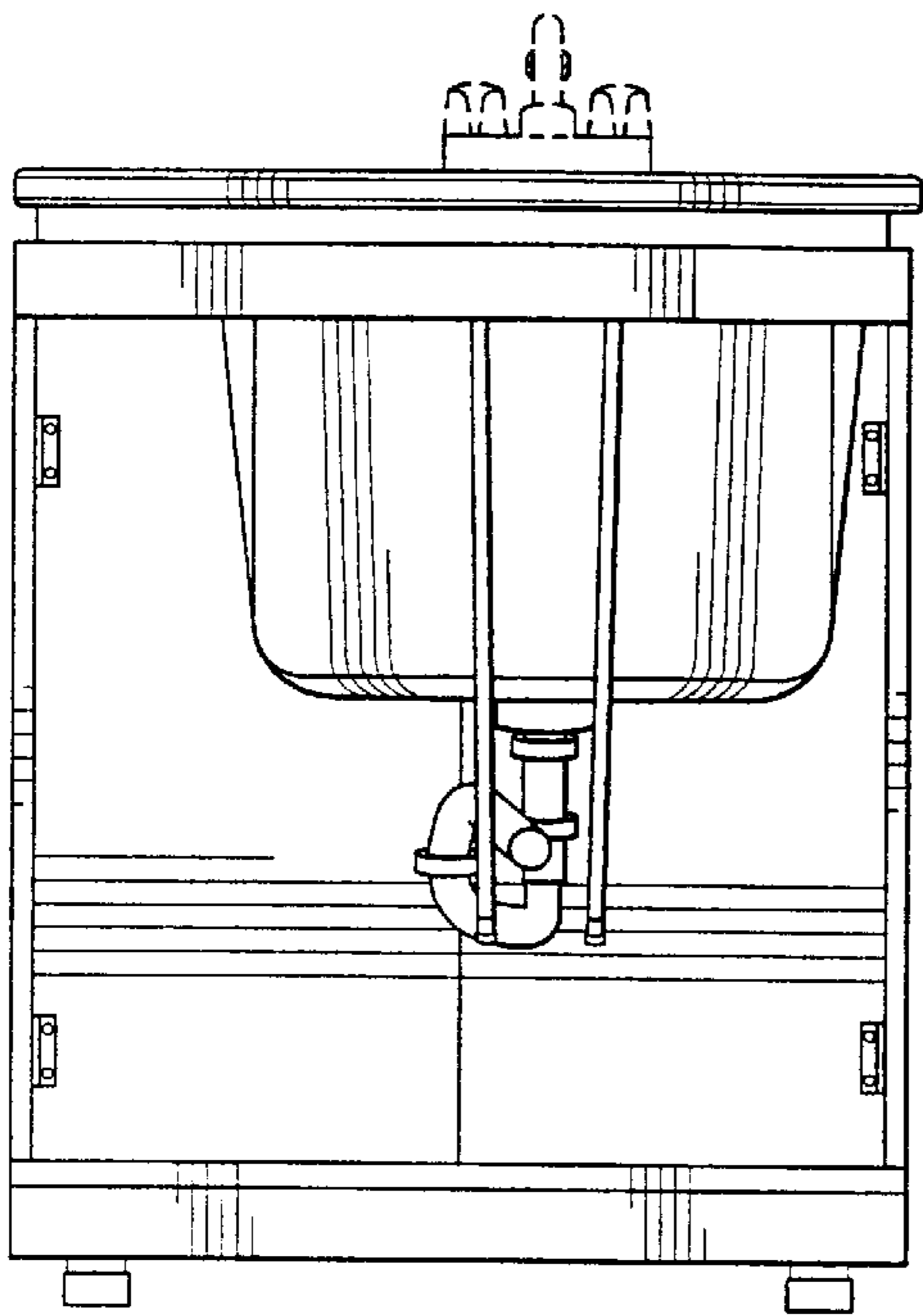


Fig-4

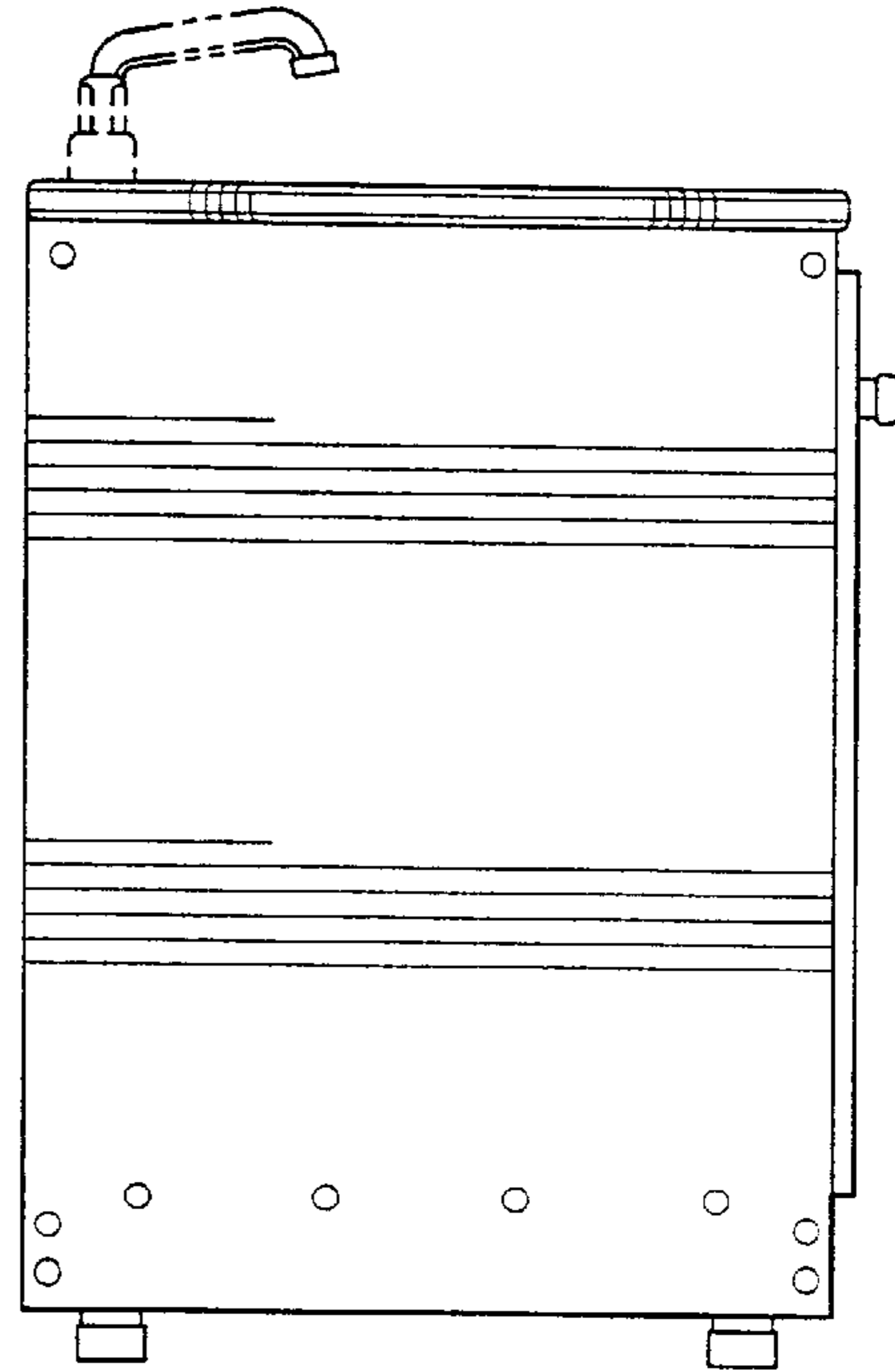


Fig-5

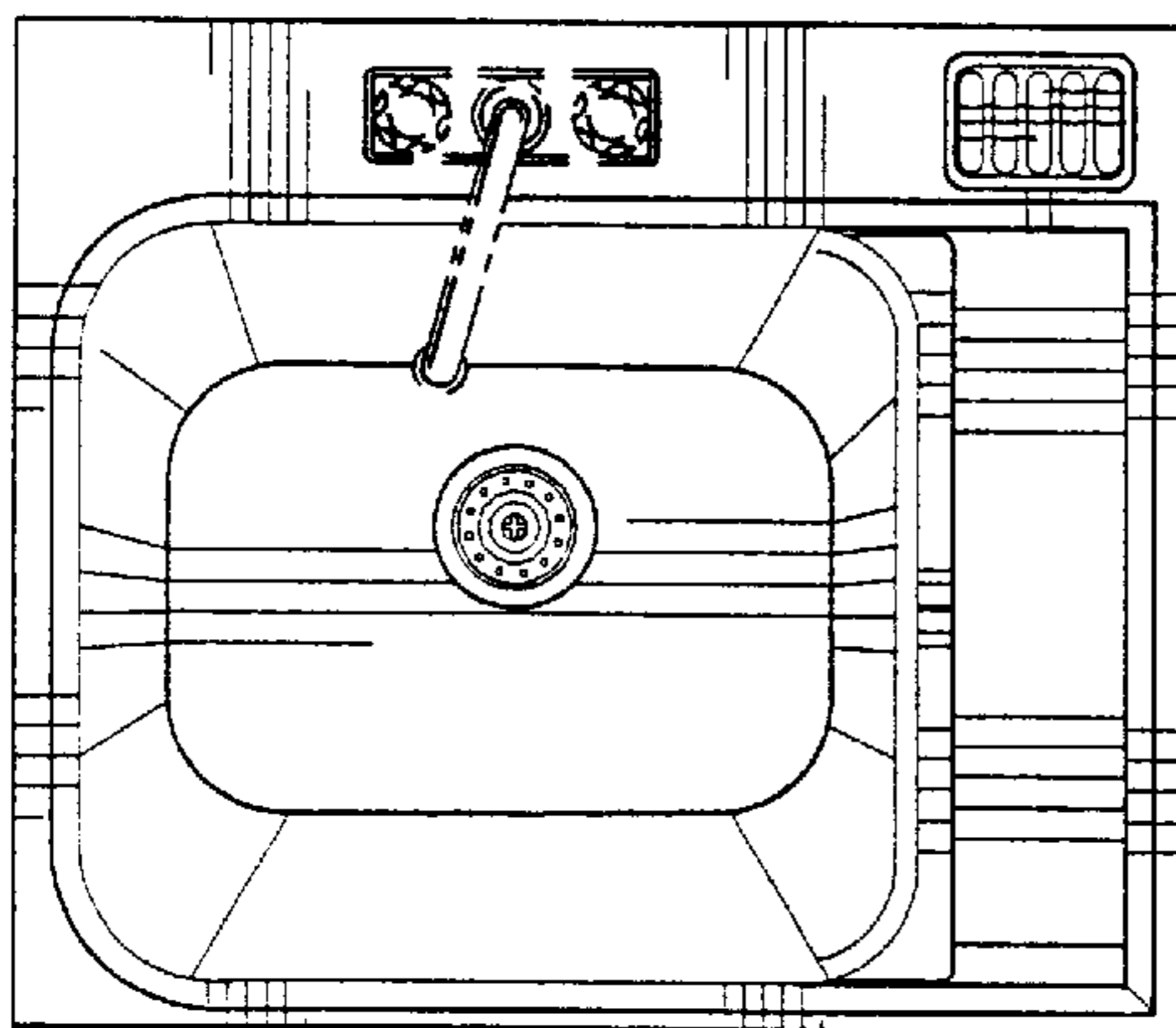


Fig-6

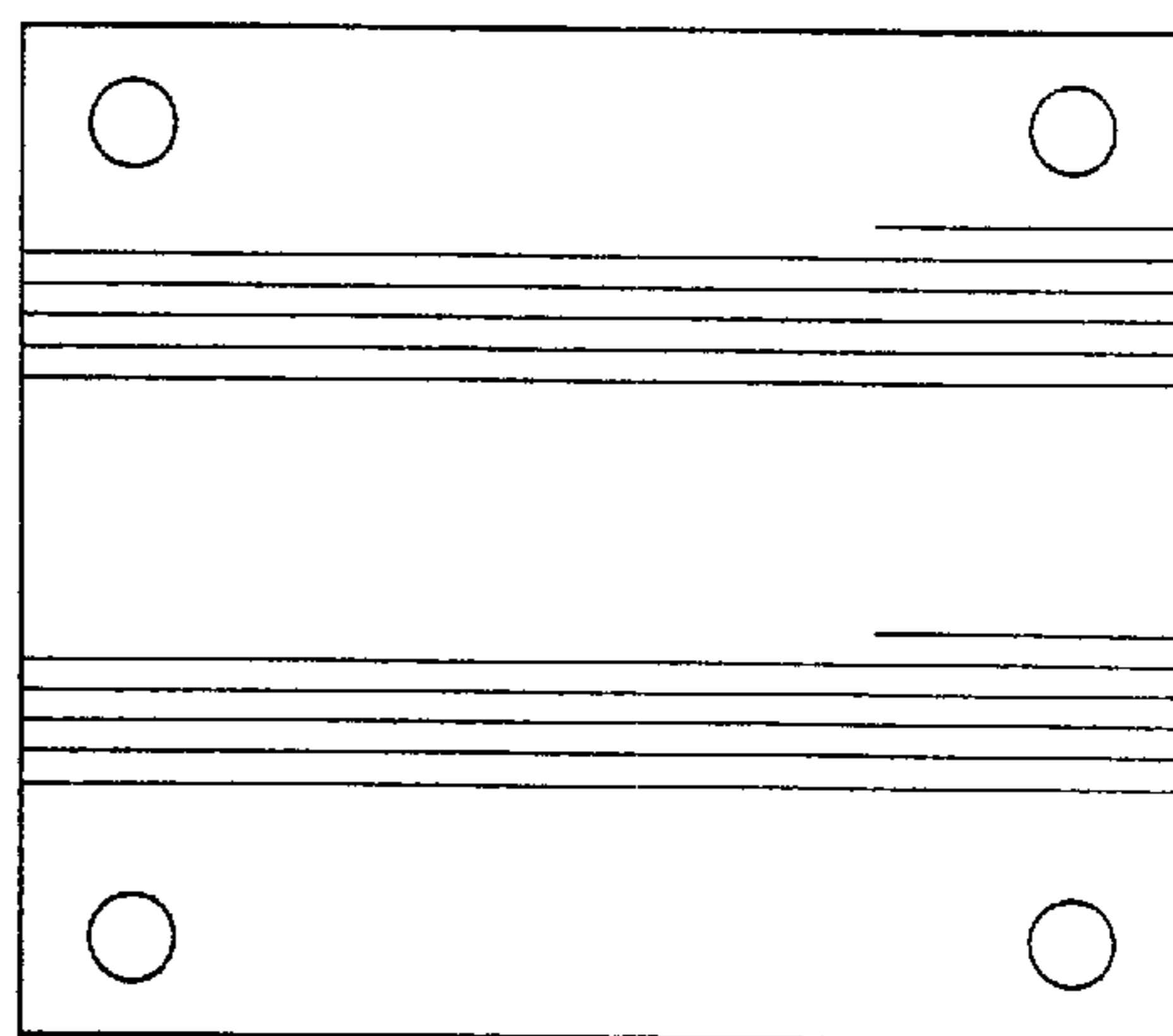


Fig-7