



US00D464328S

(12) **United States Design Patent**
Vasquez et al.

(10) **Patent No.:** **US D464,328 S**

(45) **Date of Patent:** **** Oct. 15, 2002**

(54) **WALL-MOUNT REMOTE CONTROLLER**

D449,789 S * 10/2001 Gunji et al. D10/104

(75) Inventors: **Jose S. Vasquez**, Plano, TX (US);
Nicholas A. Dahlman, McKinney, TX (US)

* cited by examiner

Primary Examiner—Ted Shooman

Assistant Examiner—Selina Sikder

(73) Assignee: **AMX Corporation**, Richardson, TX (US)

(74) *Attorney, Agent, or Firm*—Wei Wei Jeang; Munsch Hardt Kopf & Harr, P.C.

(**) Term: **14 Years**

(57) **CLAIM**

(21) Appl. No.: **29/142,648**

The ornamental design for a wall-mount remote controller, as shown and described.

(22) Filed: **May 30, 2001**

DESCRIPTION

(51) **LOC (7) Cl.** **13-03**

(52) **U.S. Cl.** **D13/164**

(58) **Field of Search** D13/162, 164,
D13/168, 171; D14/174, 218, 188; D10/104;
340/825.29, 825.31, 825.36, 825.39, 825.58,
825.69, 825.72; 341/176; 348/734

FIG. 1 is a right front isometric view of the wall-mount remote controller;

FIG. 2 is a back left isometric view of the wall-mount remote controller;

FIG. 3 is a front elevational view of the wall-mount remote controller;

FIG. 4 is a left elevational view of the wall-mount remote controller;

FIG. 5 is a right elevational view of the wall-mount remote controller;

FIG. 6 is a back elevational view of the wall-mount remote controller;

FIG. 7 is a top plan view of the wall-mount remote controller; and,

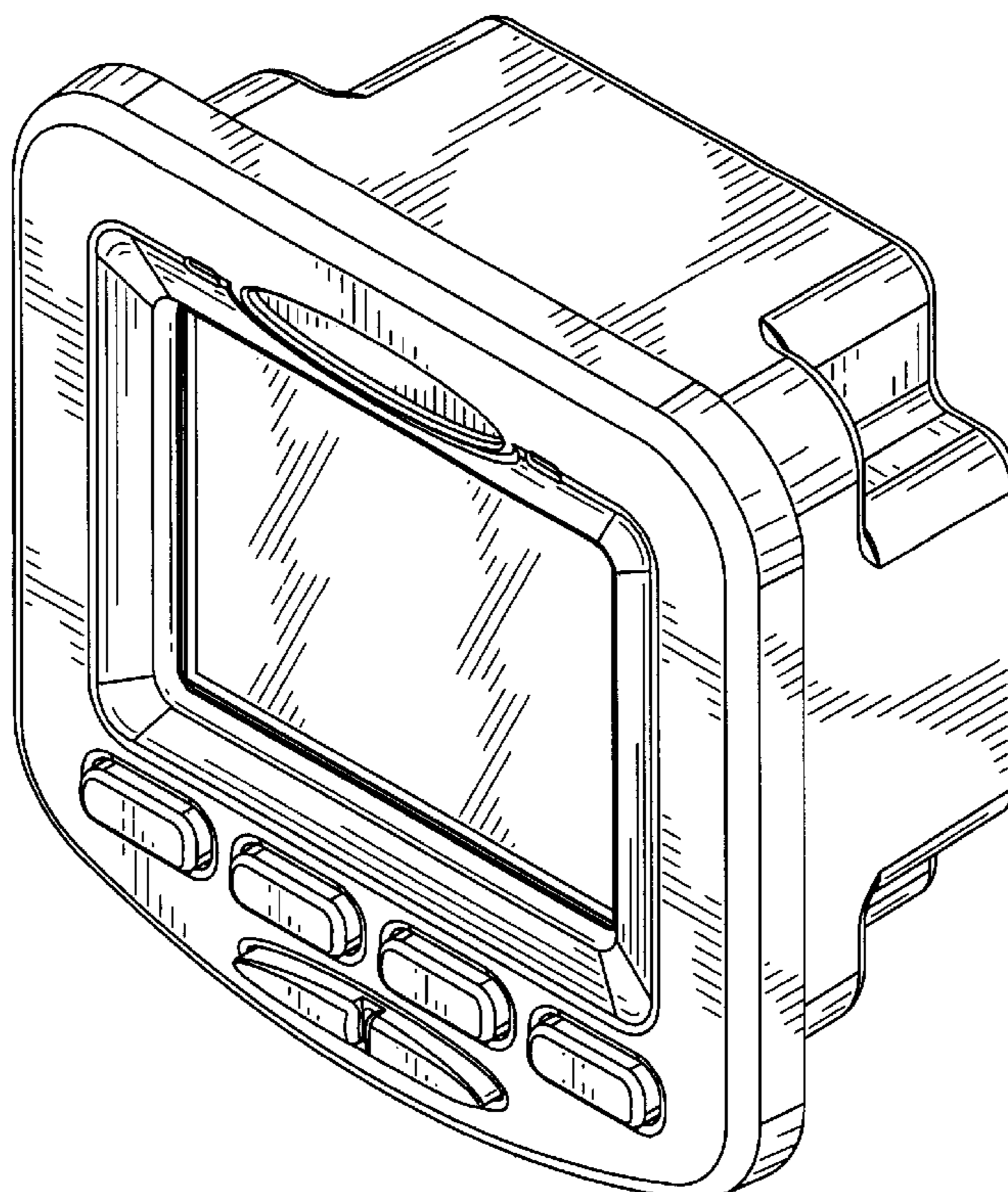
FIG. 8 is a bottom plan view of the wall-mount remote controller.

(56) **References Cited**

U.S. PATENT DOCUMENTS

D294,566 S	*	3/1988	Boytor	D13/164
5,237,327 A	*	8/1993	Saitoh et al.	341/22
D354,475 S	*	1/1995	Soren et al.	D13/164
5,458,311 A	*	10/1995	Holbrook	248/309.1
D381,590 S	*	7/1997	Thoeni et al.	D10/49
D400,539 S	*	11/1998	Hippen	D14/218
D413,867 S	*	9/1999	Mullet et al.	D13/162
D416,910 S	*	11/1999	Vasquez	D14/218
D423,508 S	*	4/2000	Nakajima	D14/218

1 Claim, 3 Drawing Sheets



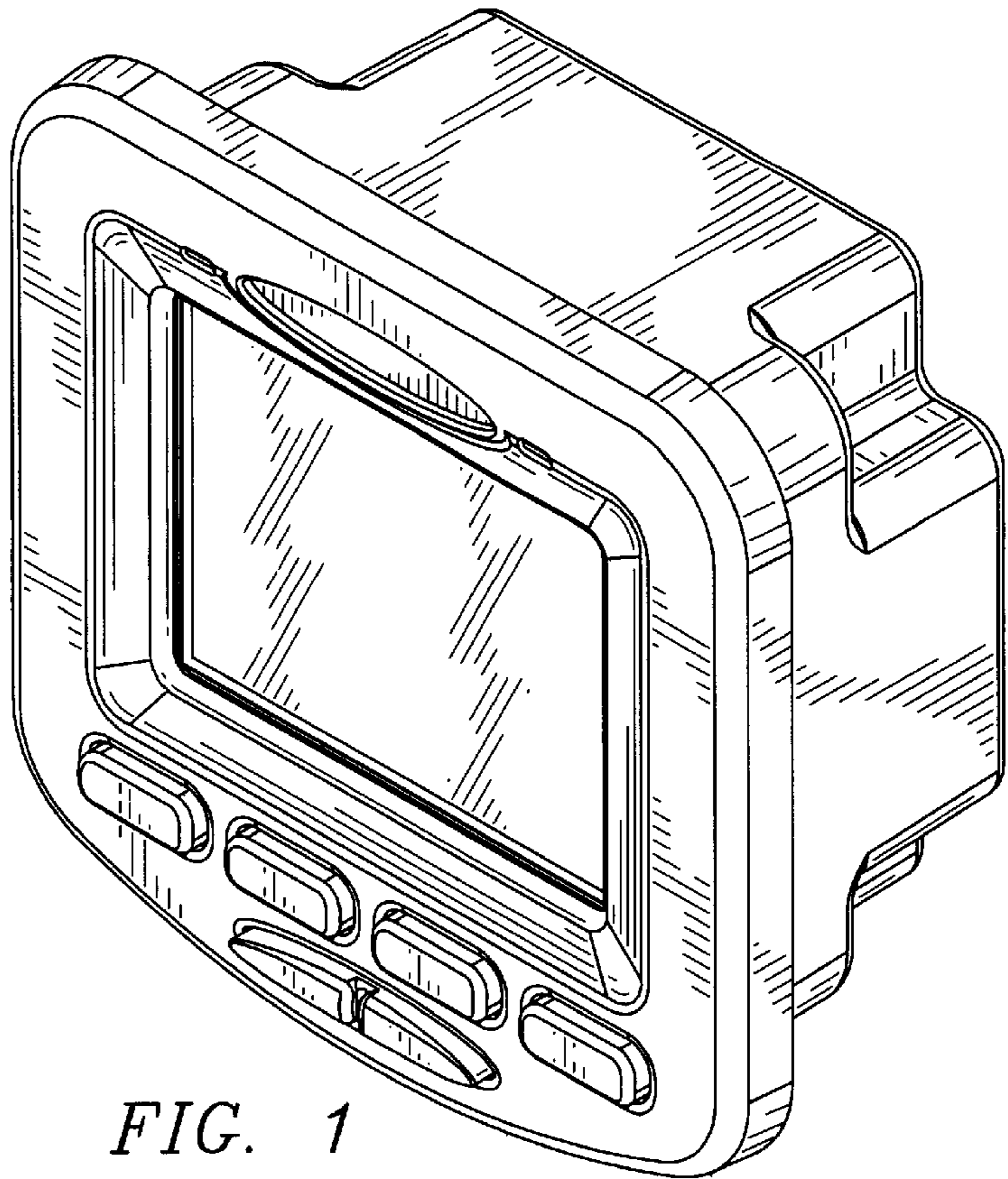


FIG. 1

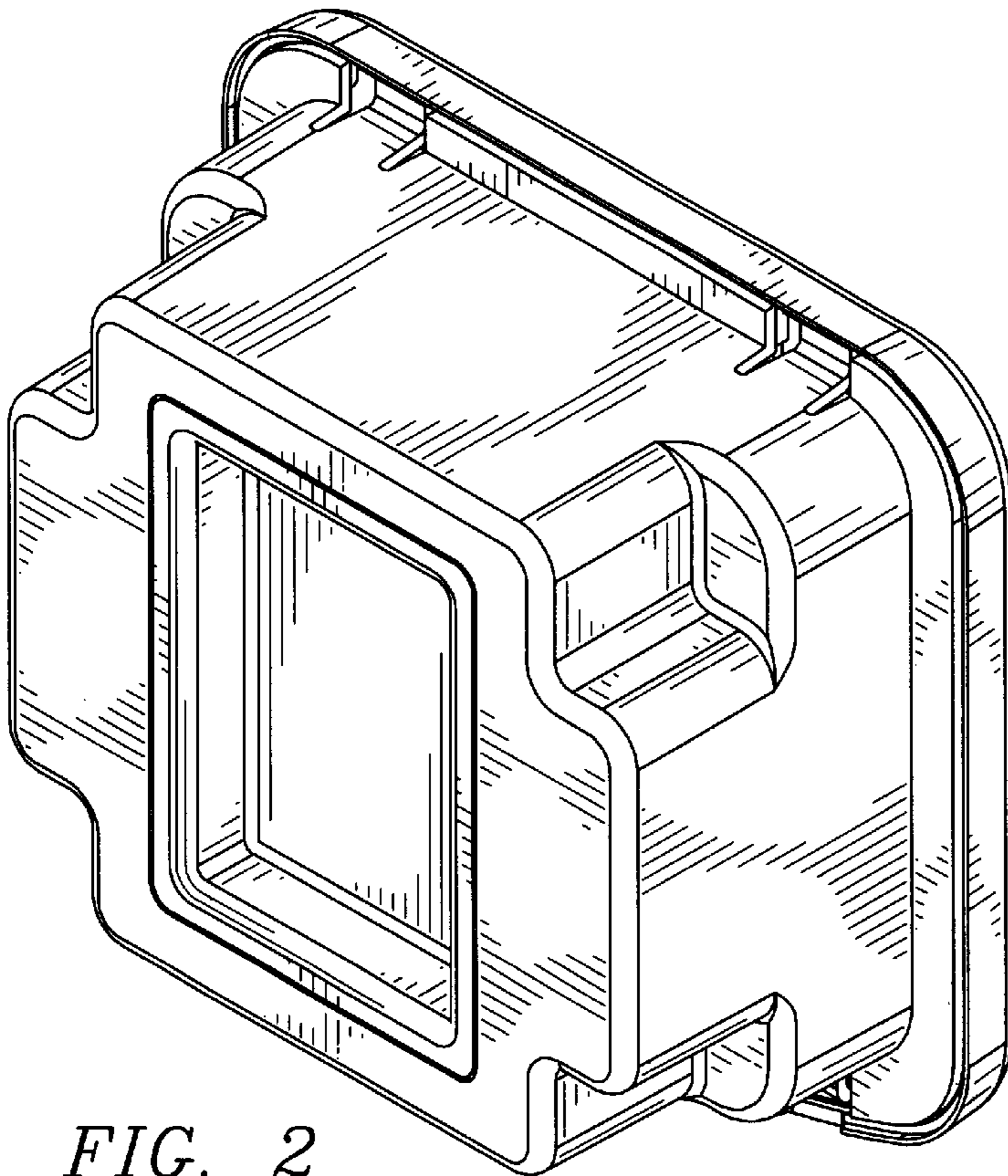


FIG. 2

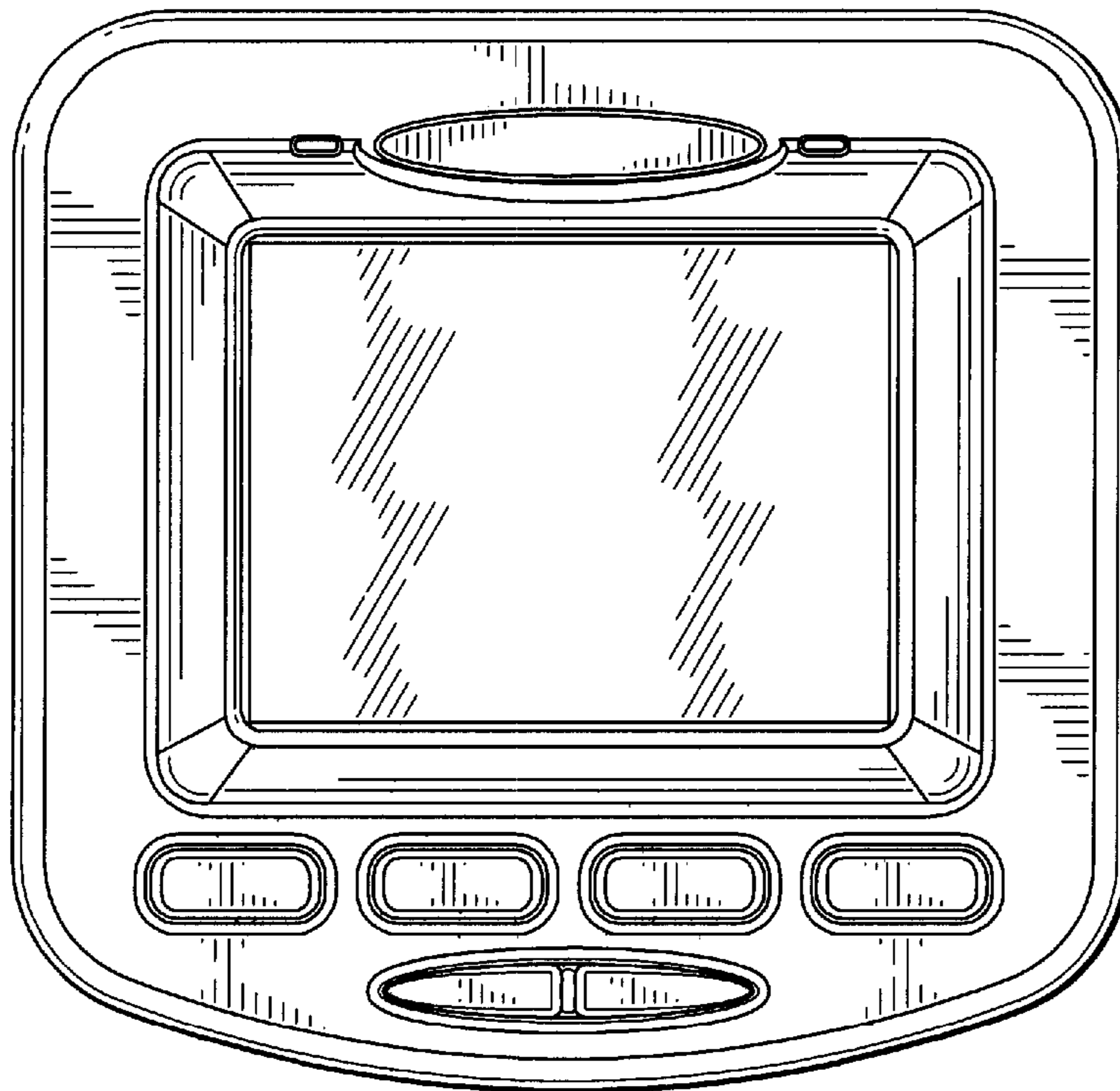


FIG. 3

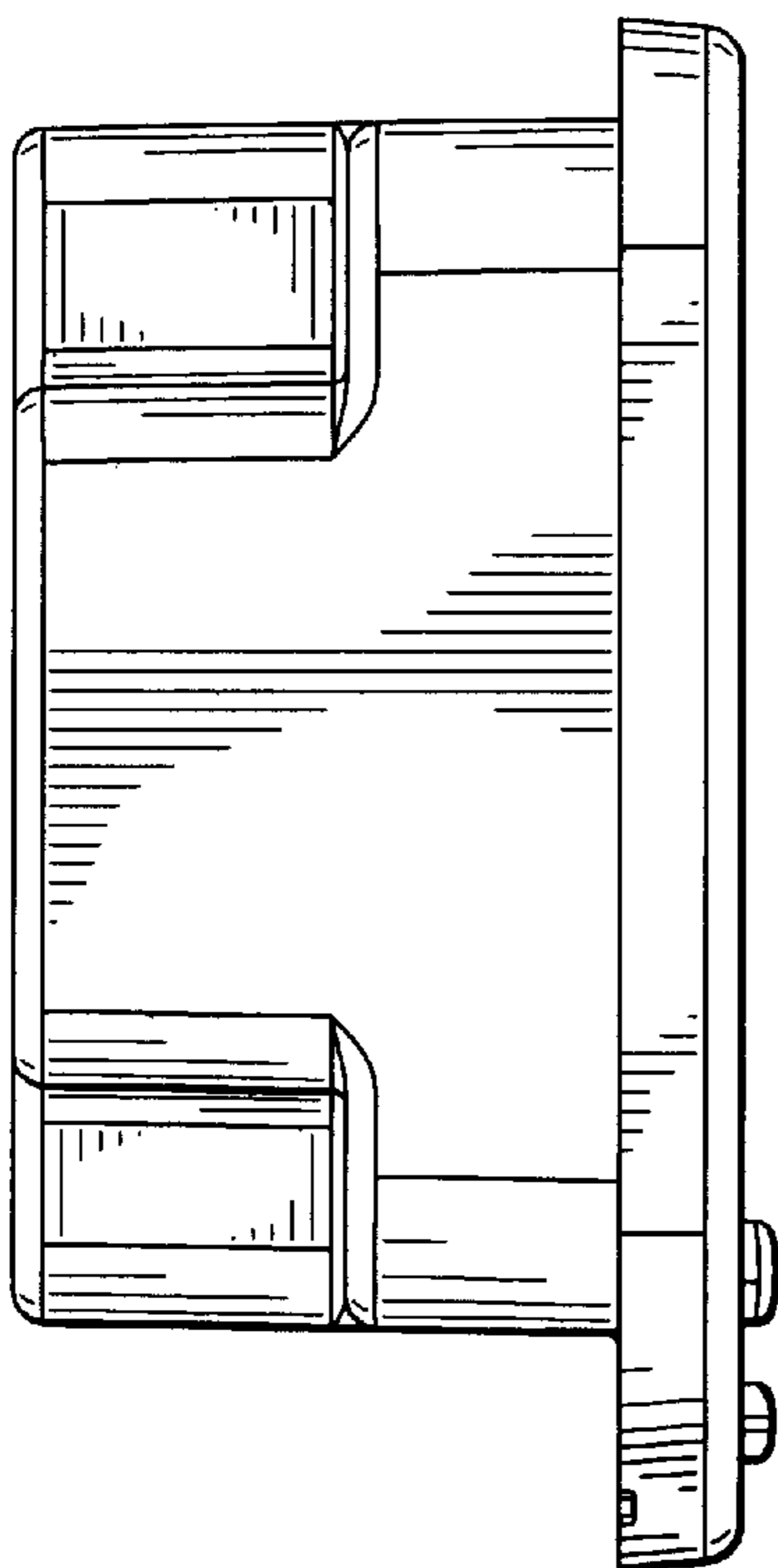


FIG. 4

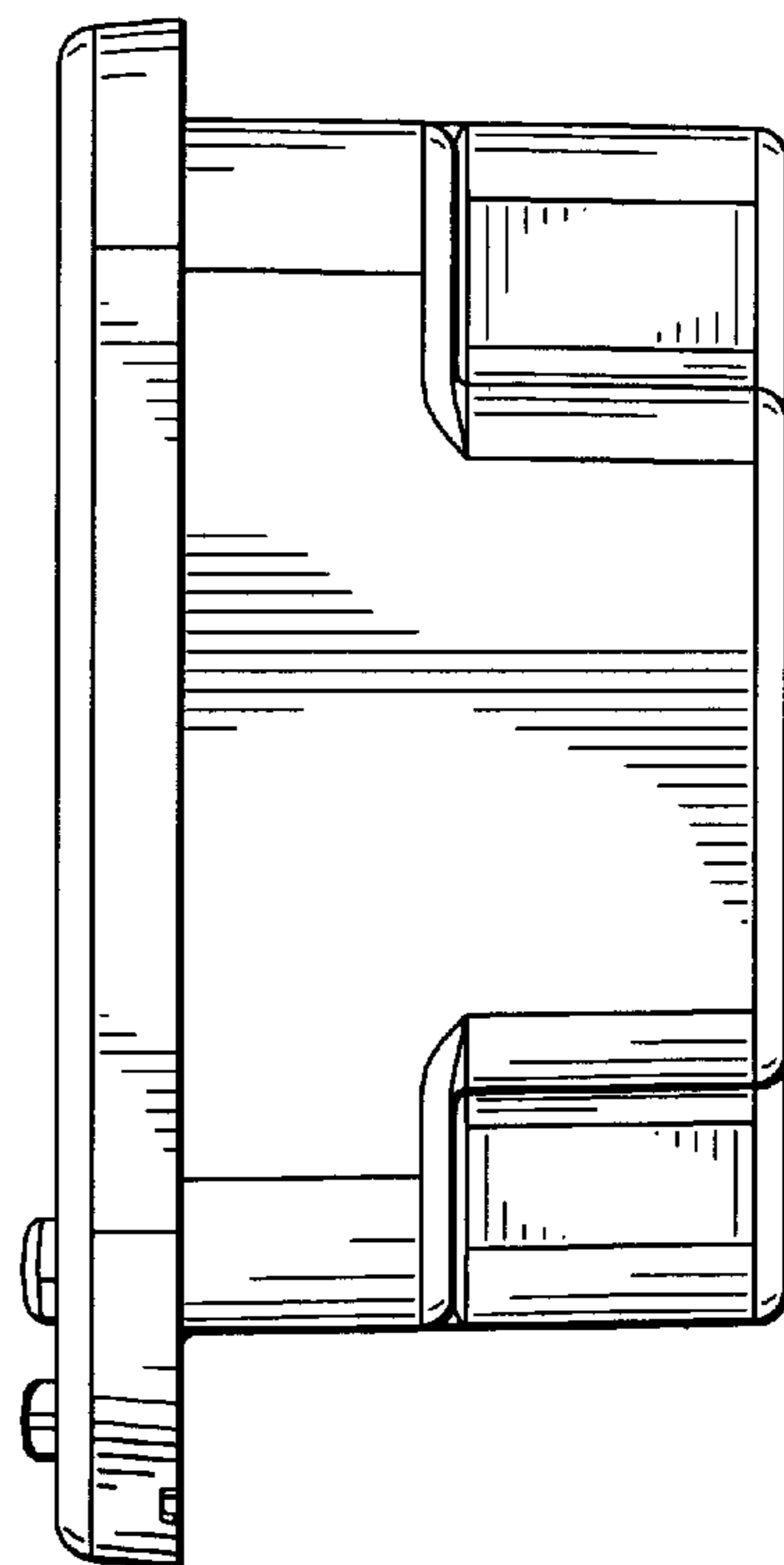


FIG. 5

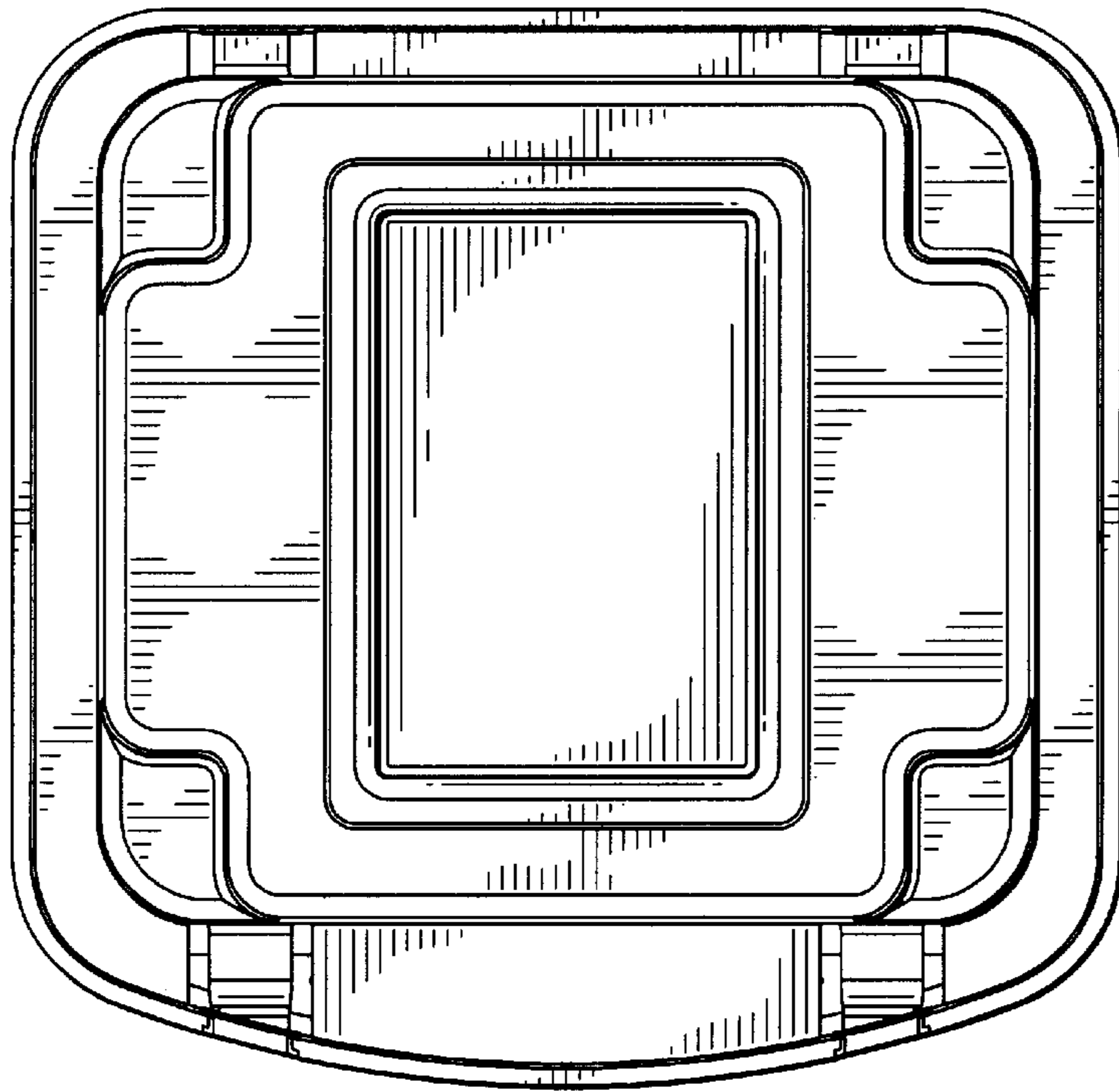


FIG. 6

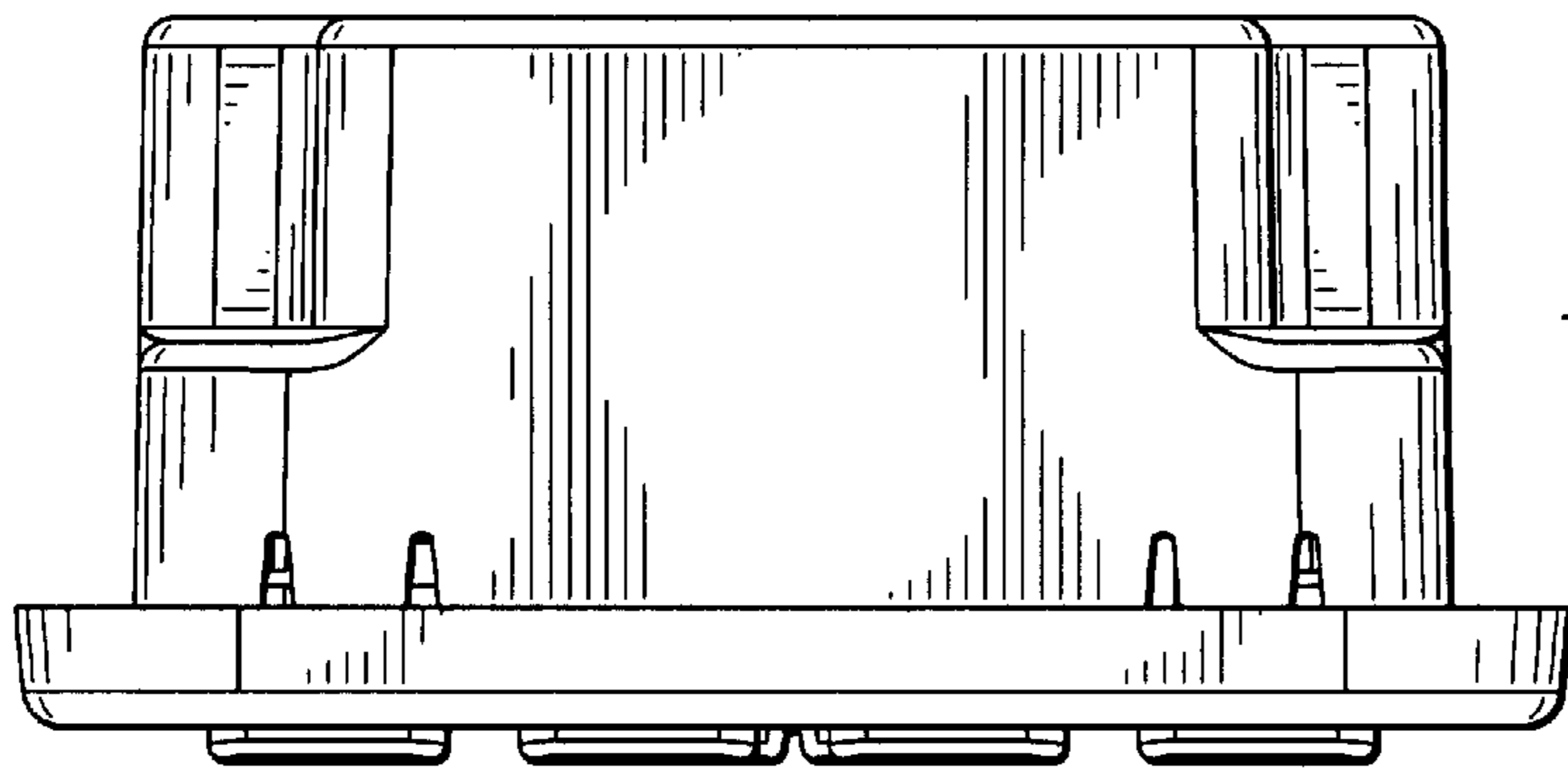


FIG. 7

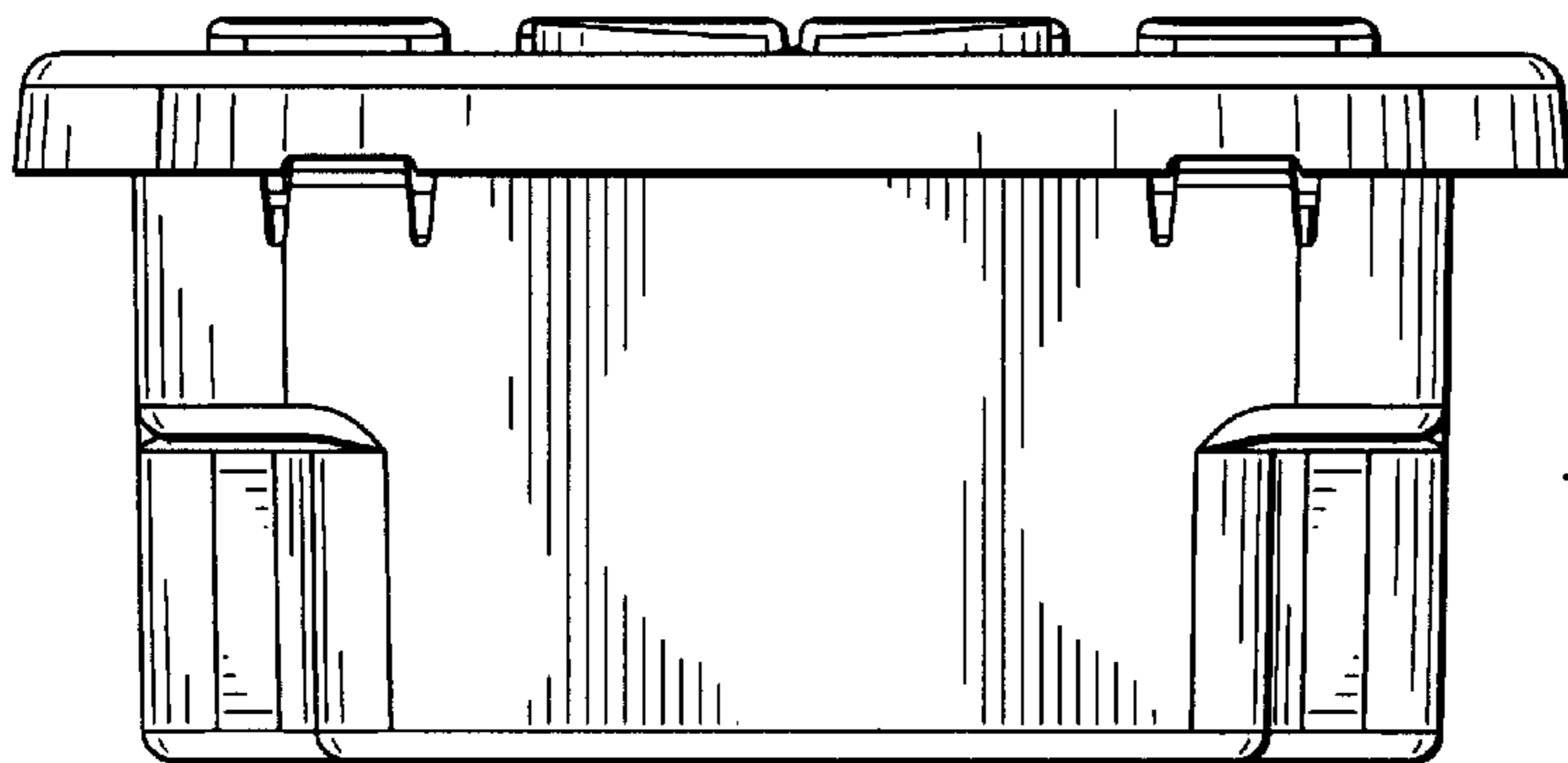


FIG. 8