



US00D464326S

(12) **United States Design Patent**
Clark et al.

(10) **Patent No.:** **US D464,326 S**

(45) **Date of Patent:** **** Oct. 15, 2002**

(54) **ELECTRONIC MODULE**

(75) **Inventors:** **Joseph R. Clark**, Naperville, IL (US);
Daniel J. Sandgren, Naperville, IL (US)

(73) **Assignee:** **Scientific-Atlanta, Inc.**, Lawrenceville, GA (US)

(**) **Term:** **14 Years**

(21) **Appl. No.:** **29/133,794**

(22) **Filed:** **Dec. 7, 2000**

(51) **LOC (7) Cl.** **13-03**

(52) **U.S. Cl.** **D13/162**

(58) **Field of Search** D13/118, 122,
D13/123, 162, 179; 361/728, 729, 736,
740, 752; 439/761, 341, 364, 729, 736,
928

(56) **References Cited**

U.S. PATENT DOCUMENTS

D211,029 S	*	5/1968	Ettinger et al.	D13/118
4,254,446 A	*	3/1981	Peoples	361/692
4,558,914 A	*	12/1985	Prager et al.	439/259
4,738,632 A	*	4/1988	Schmidt et al.	439/341
5,043,847 A	*	8/1991	Deinhardt et al.	361/736
D334,913 S	*	4/1993	Sato et al.	D13/118
5,253,140 A	*	10/1993	Inoue et al.	361/728
D345,144 S	*	3/1994	Thomas	D13/162.1

D349,887 S	*	8/1994	Page	D13/162
5,426,567 A	*	6/1995	Opeka	361/740
5,531,611 A	*	7/1996	Reed et al.	439/540.1
5,734,558 A	*	3/1998	Poplawski et al.	361/752
5,791,916 A	*	8/1998	Schirbl et al.	439/76.1
6,025,990 A	*	2/2000	Daskalakis et al.	361/704
D428,600 S	*	7/2000	Futami et al.	D13/162
6,324,063 B1	*	11/2001	Mohler	361/728

* cited by examiner

Primary Examiner—Ted Shooman

Assistant Examiner—Selina Sikder

(74) *Attorney, Agent, or Firm*—Hubert J. Barnhardt, III;
Kenneth M. Massaroni; Shelley L. Couturier

(57) **CLAIM**

The ornamental design for an electronic module, as shown and described.

DESCRIPTION

FIG. 1 is a top front right perspective view of an electronic module in accordance with the instant invention;

FIG. 2 is a top plan view thereof;

FIG. 3 is a bottom plan view thereof;

FIG. 4 is a right side elevational view thereof;

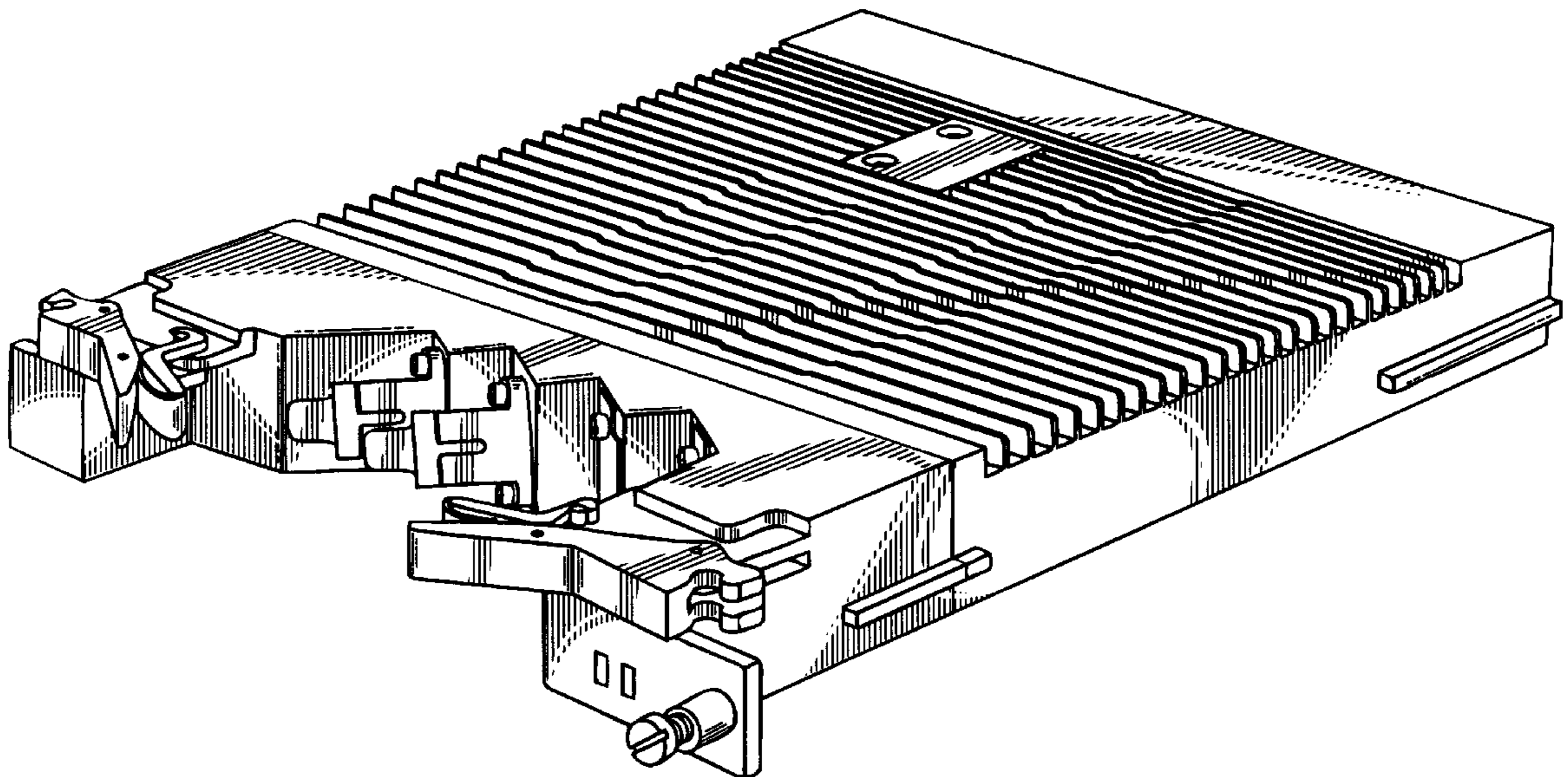
FIG. 5 is a left side elevational view thereof;

FIG. 6 is a front elevational view; and,

FIG. 7 is a rear elevational view thereof.

The broken line showing of the environment is for illustrative purpose only and forms no part of the claimed design.

1 Claim, 5 Drawing Sheets



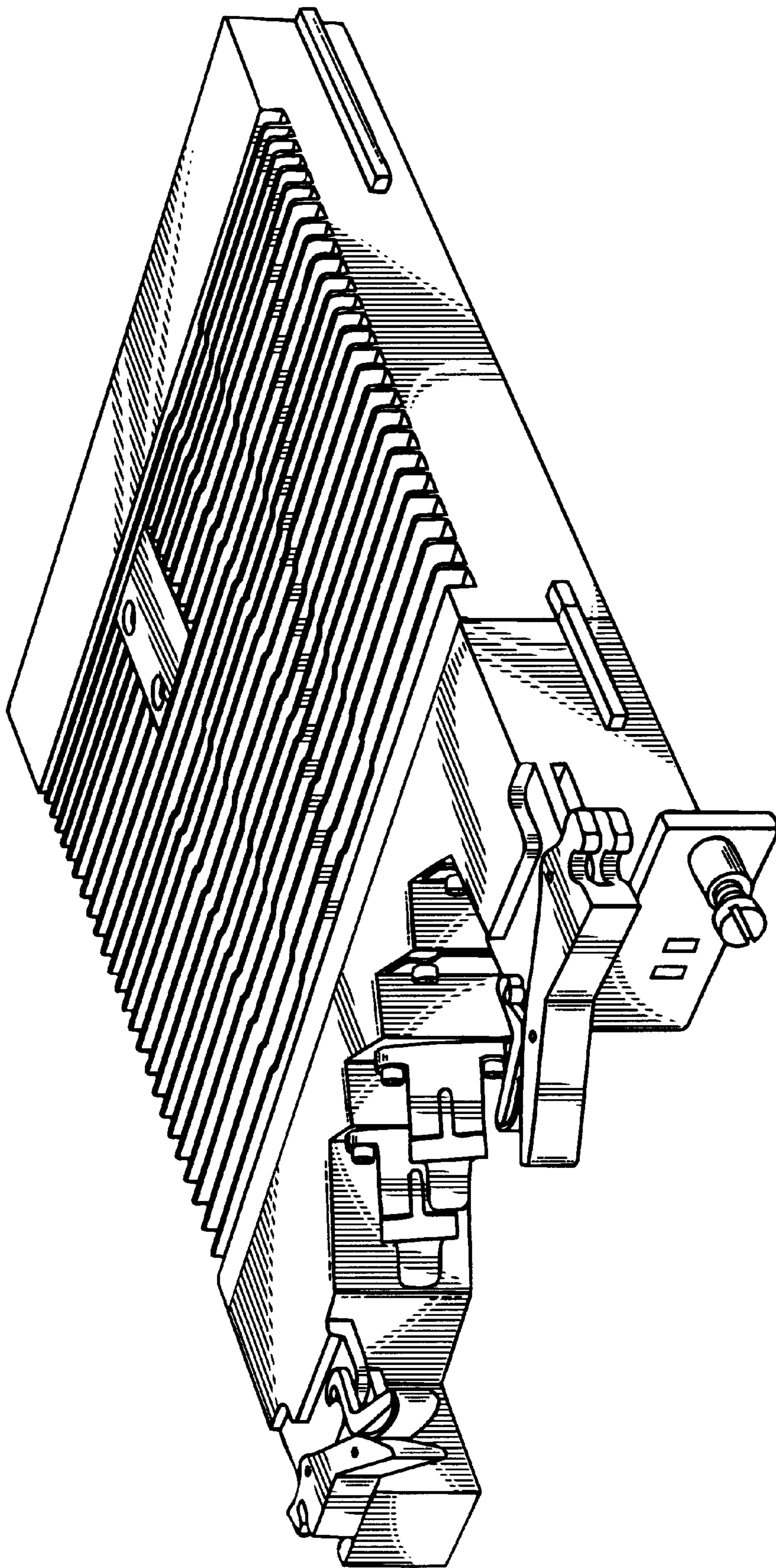


Fig. 1

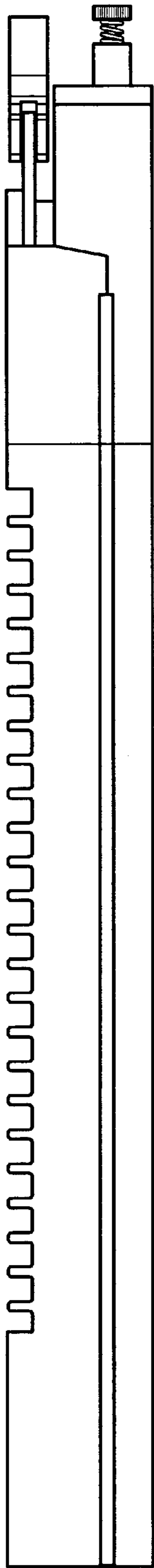


Fig. 2

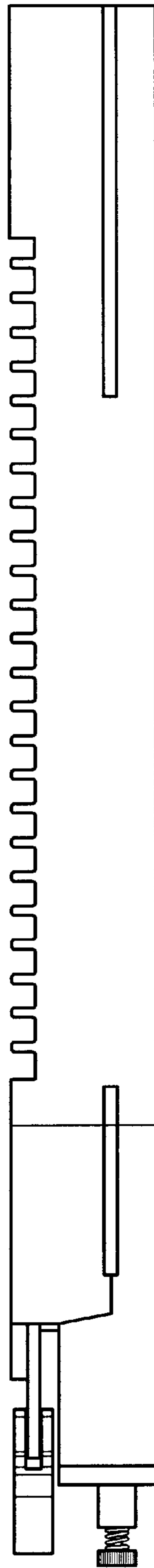


Fig. 3

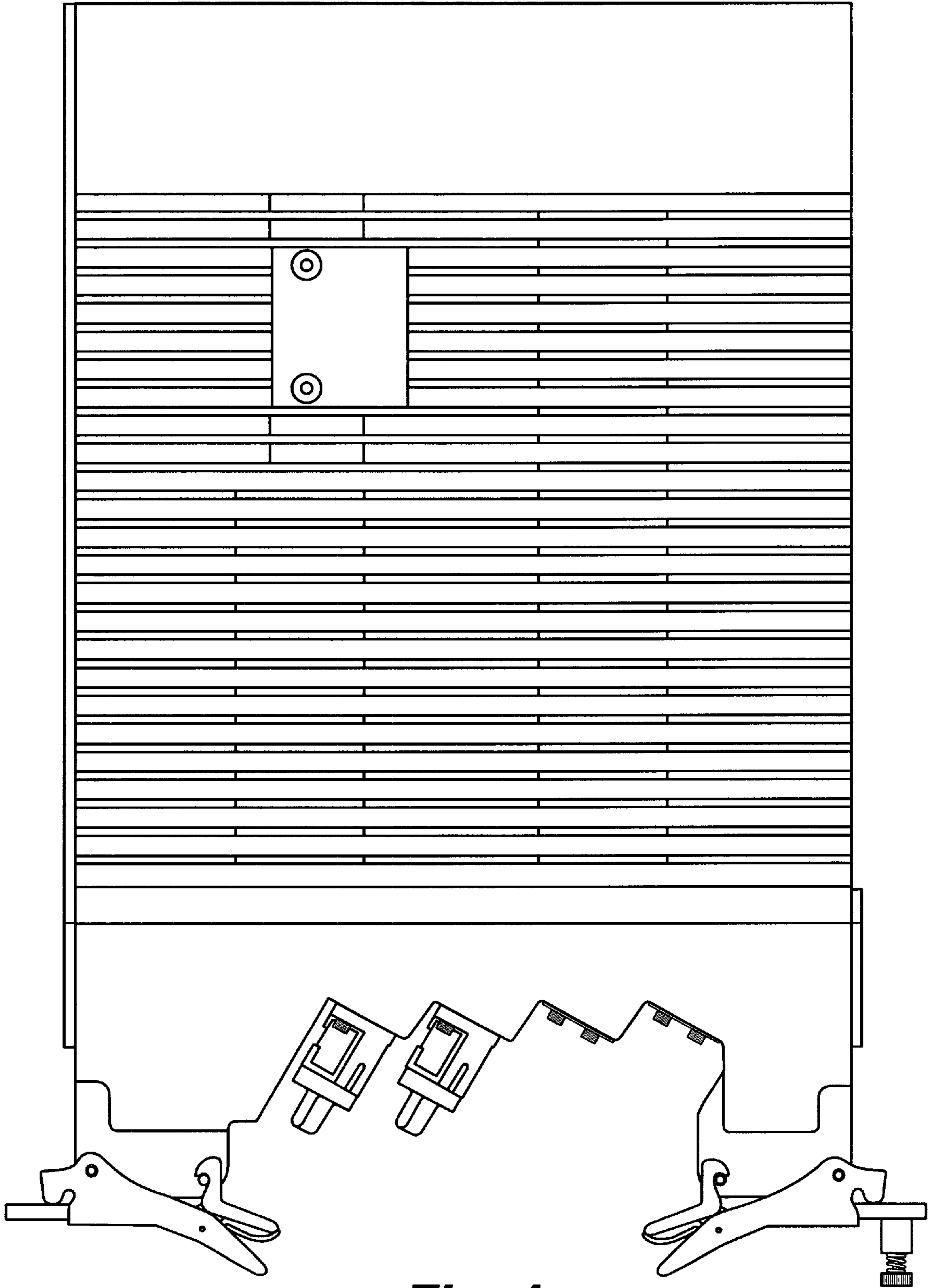


Fig. 4

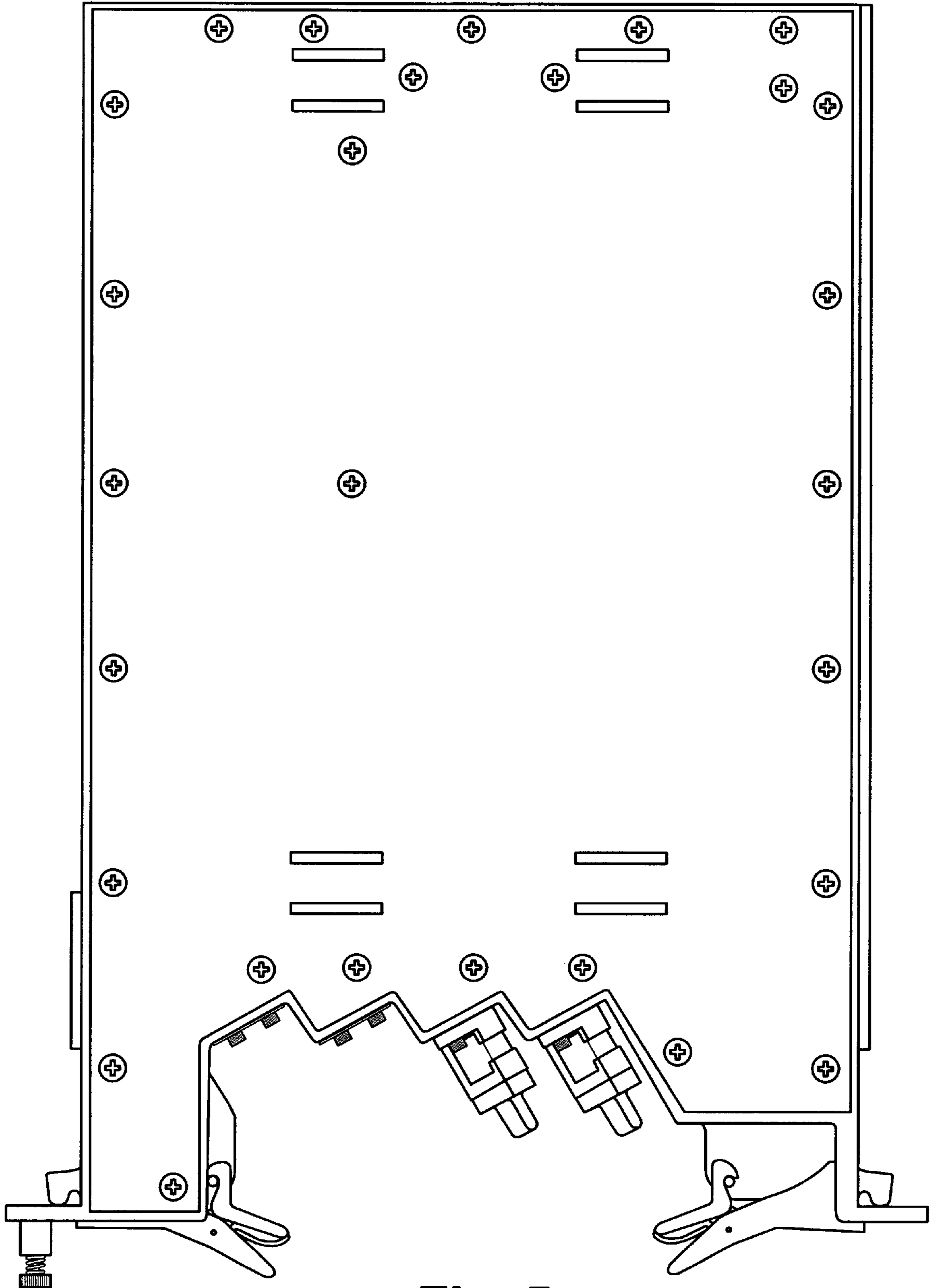


Fig. 5

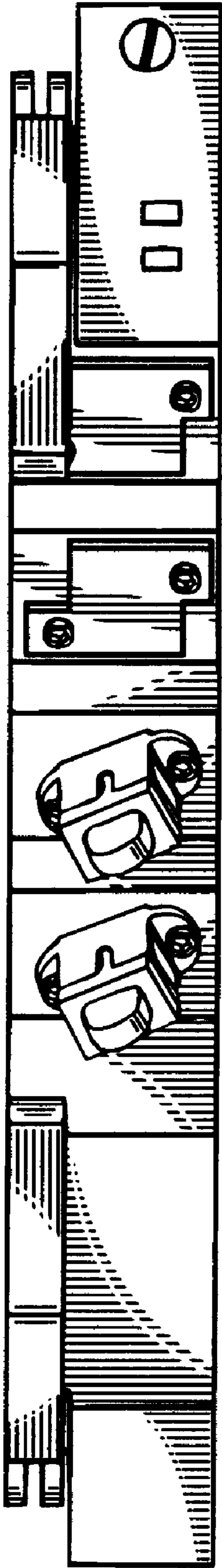


Fig. 6

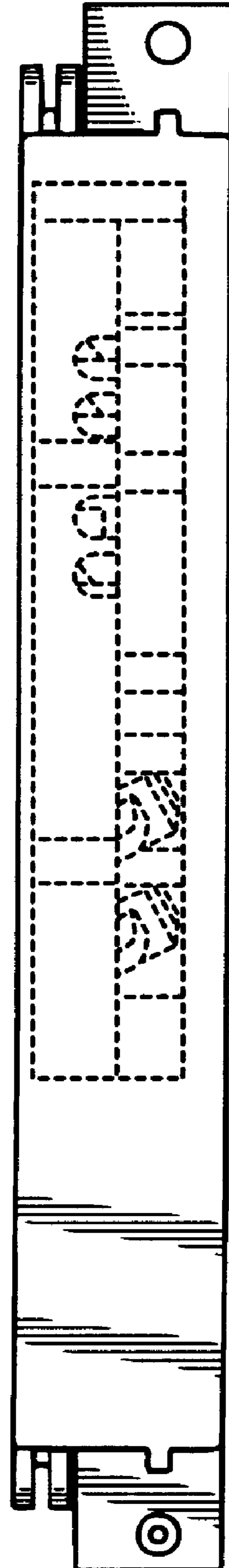


Fig. 7