



US00D464325S

(12) **United States Design Patent**
Peters et al.

(10) **Patent No.:** **US D464,325 S**

(45) **Date of Patent:** **** Oct. 15, 2002**

(54) **PROTECTIVE COUPLER FOR ELECTRICAL EXTENSION CORDS**

(76) Inventors: **James C. Peters**, 10 E. Adams St., East Islip, NY (US) 11730; **Daniel J. Peters**, 10 E. Adams St., East Islip, NY (US) 11730

(**) Term: **14 Years**

(21) Appl. No.: **29/147,716**

(22) Filed: **Sep. 4, 2001**

(51) **LOC (7) Cl.** **13-03**

(52) **U.S. Cl.** **D13/156**

(58) **Field of Search** D13/152-156,
D13/184, 199; 174/73.1, 92, 93, 135, 138 F;
439/367, 369

(56) **References Cited**

U.S. PATENT DOCUMENTS

585,707 A	*	7/1897	Schwedtmann	439/606
3,048,810 A		8/1962	Steen		
3,059,209 A	*	10/1962	Bird	439/369
3,068,316 A	*	12/1962	Witt	174/135
4,797,509 A		1/1989	Cook		
4,927,377 A	*	5/1990	Bach et al.	439/371
D319,217 S	*	8/1991	Fujoka	D13/199
5,069,634 A		12/1991	Chiarolanzio		
D332,940 S	*	2/1993	Finlay	D13/154

5,259,782 A	*	11/1993	Giffin	439/367
5,743,752 A		4/1998	Masselbeuf		
5,826,531 A	*	10/1998	Havnaer, Jr.	D8/356 X
D404,722 S	*	1/1999	Chen	D13/184
D407,377 S	*	3/1999	Landerholm et al.	D13/154
5,980,278 A		11/1999	Winkler		
D419,528 S	*	1/2000	Hakoda	D13/154
D430,850 S	*	9/2000	Alves et al.	D13/152
D452,139 S	*	12/2001	Murata	D8/394

* cited by examiner

Primary Examiner—Robert M. Spear

(74) *Attorney, Agent, or Firm*—Donald R. Schoonover

(57) **CLAIM**

We claim the ornamental design for a protective coupler for electrical extension cords, as shown and described.

DESCRIPTION

FIG. 1 is a perspective view of the protective coupler for electrical extension cords embodying the design of the present invention.

FIG. 2 is a front elevational view thereof;

FIG. 3 is a rear elevational view thereof;

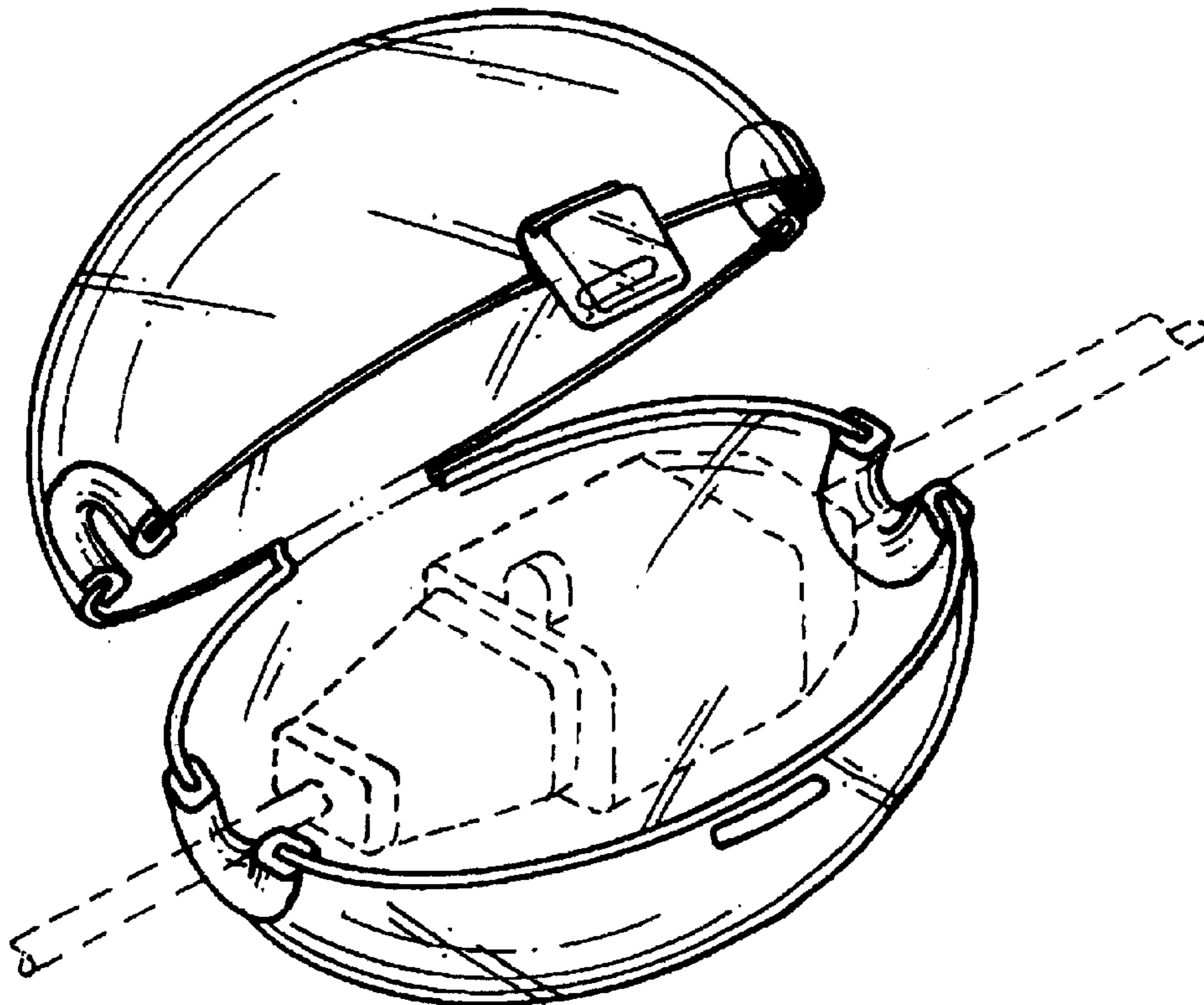
FIG. 4 is a side elevational view thereof;

FIG. 5 is a top plan view thereof; and,

FIG. 6 is a bottom plan view thereof.

The broken line showing of environment is for illustrative purposes only and forms no part of the claimed design.

1 Claim, 4 Drawing Sheets



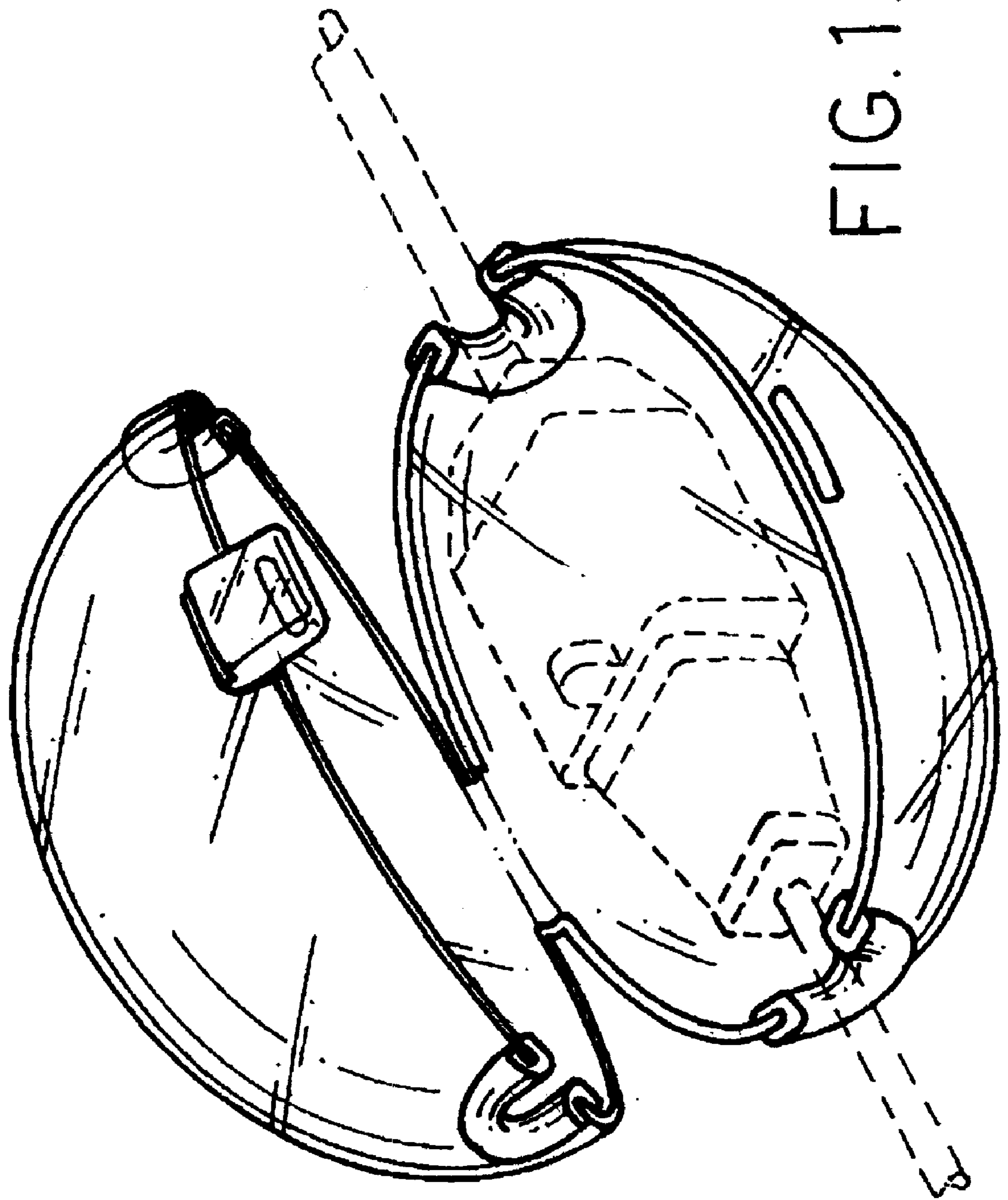


FIG. 1.

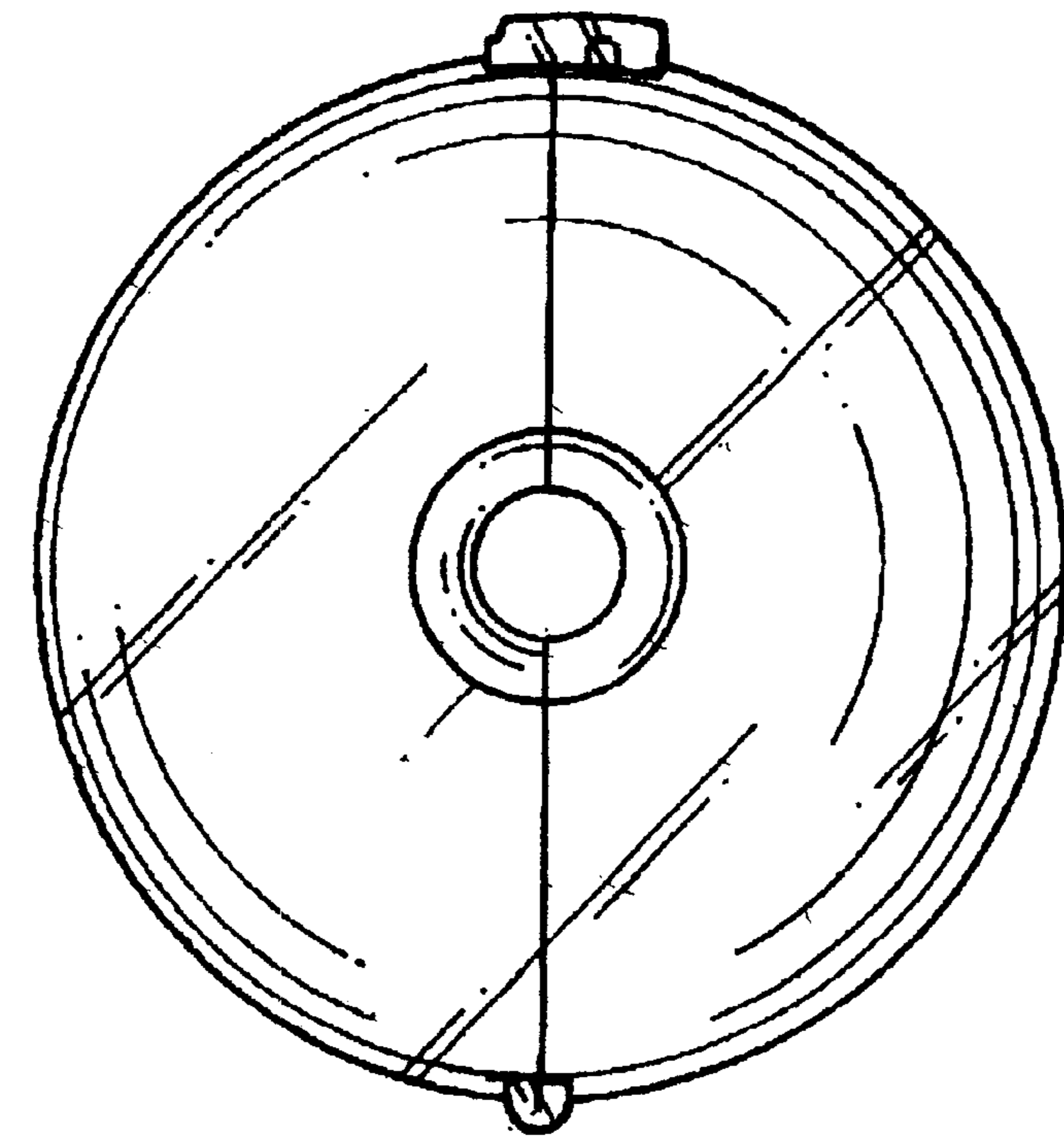


FIG. 4.

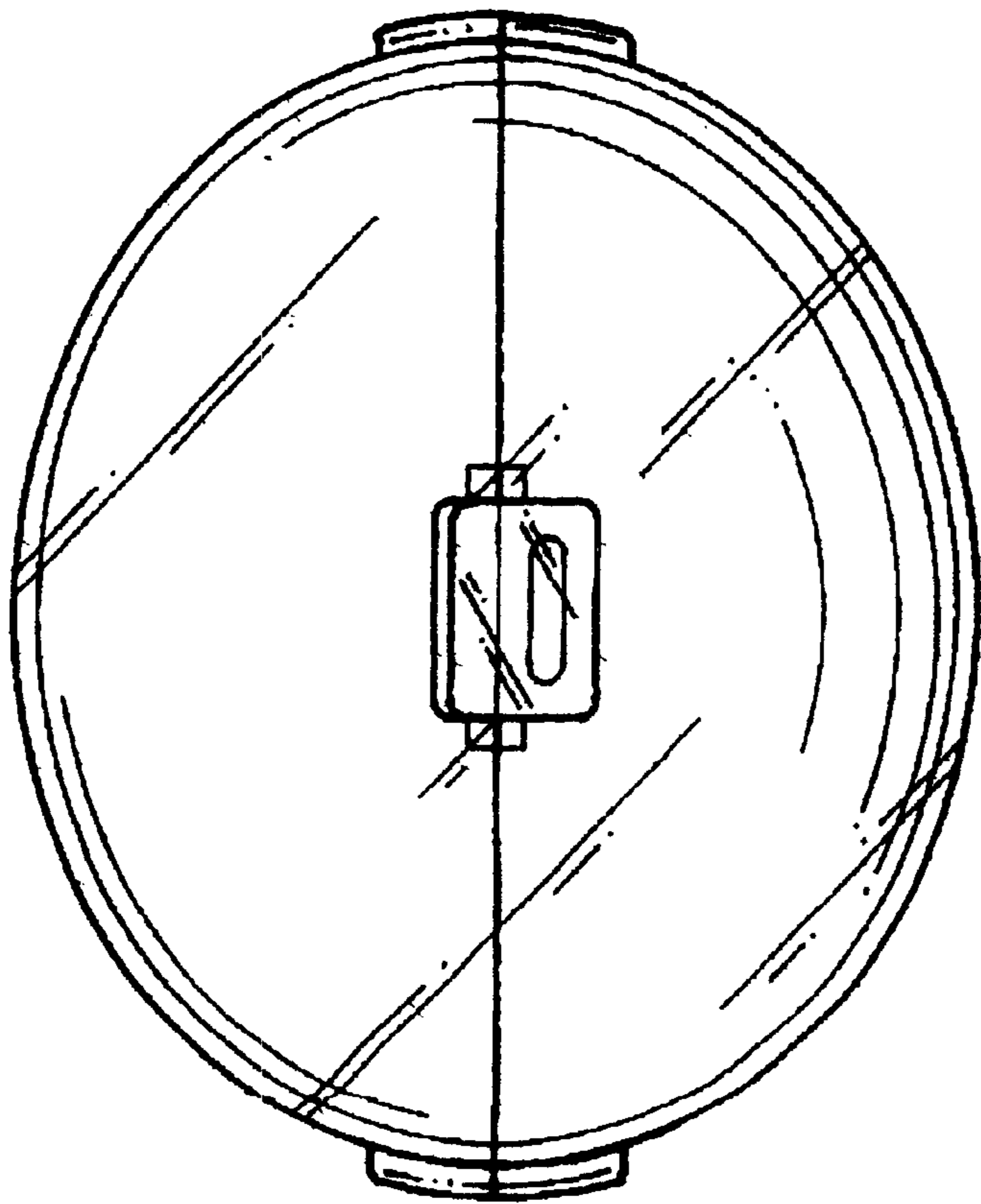


FIG. 2.

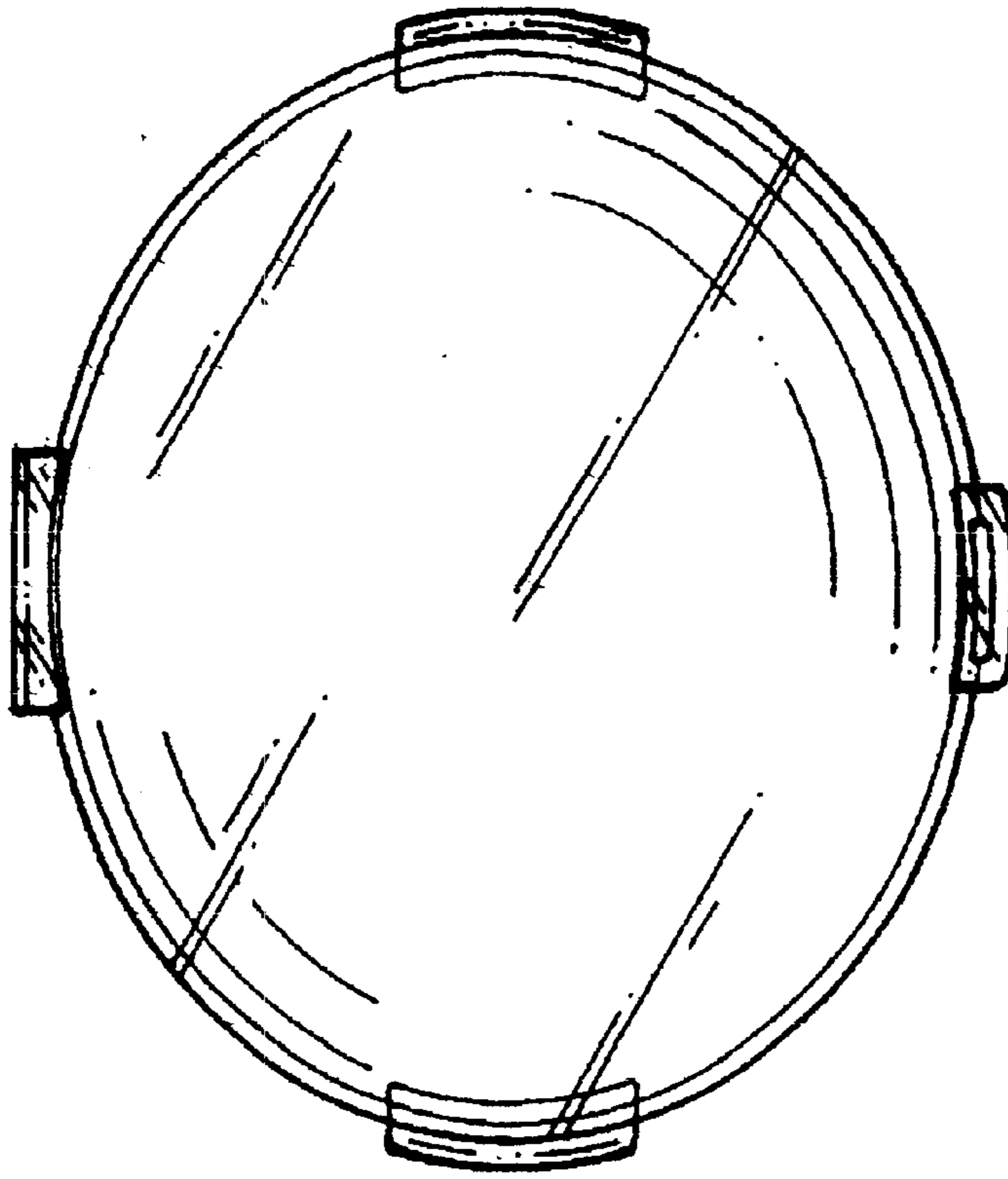


FIG. 6.

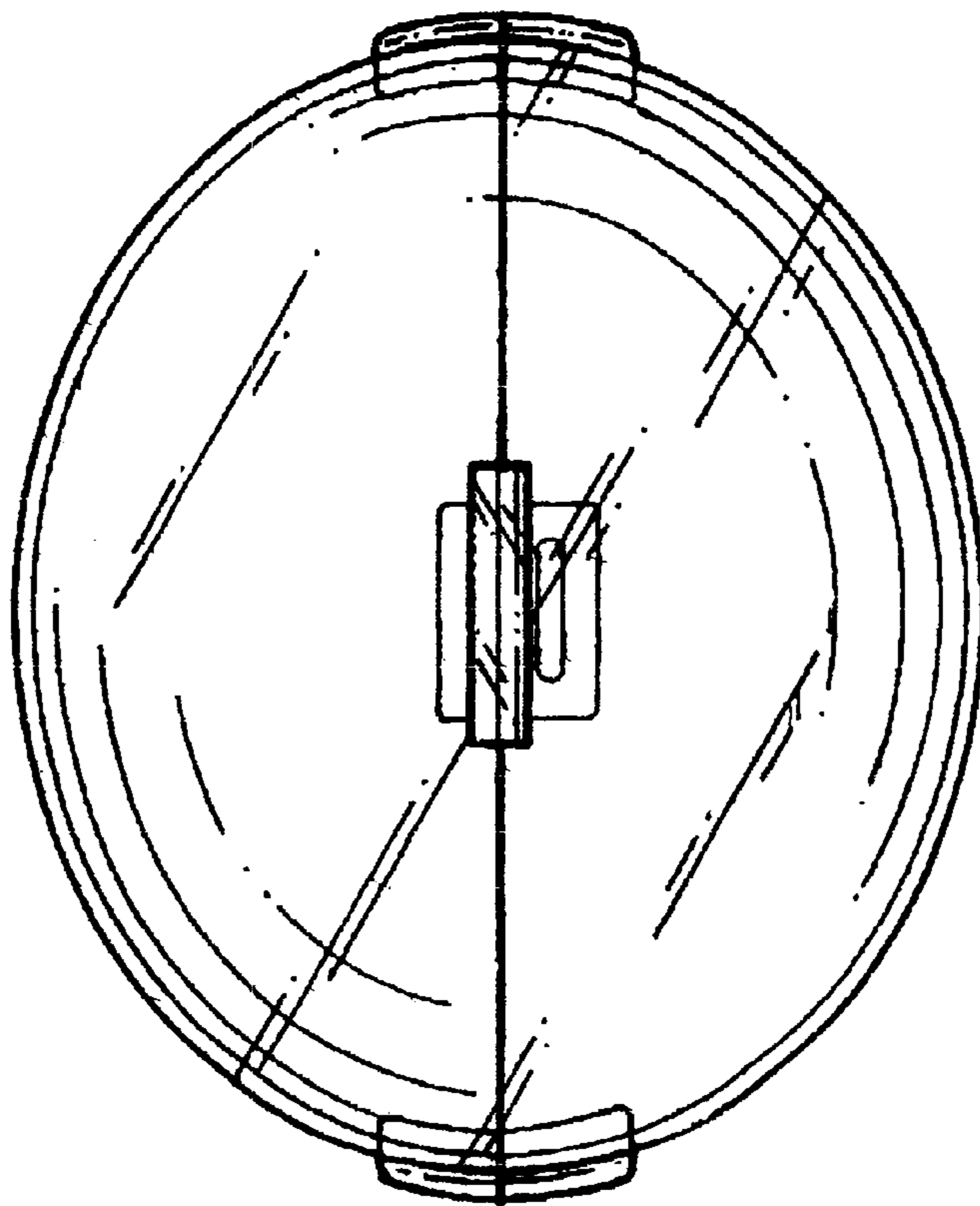


FIG. 3.

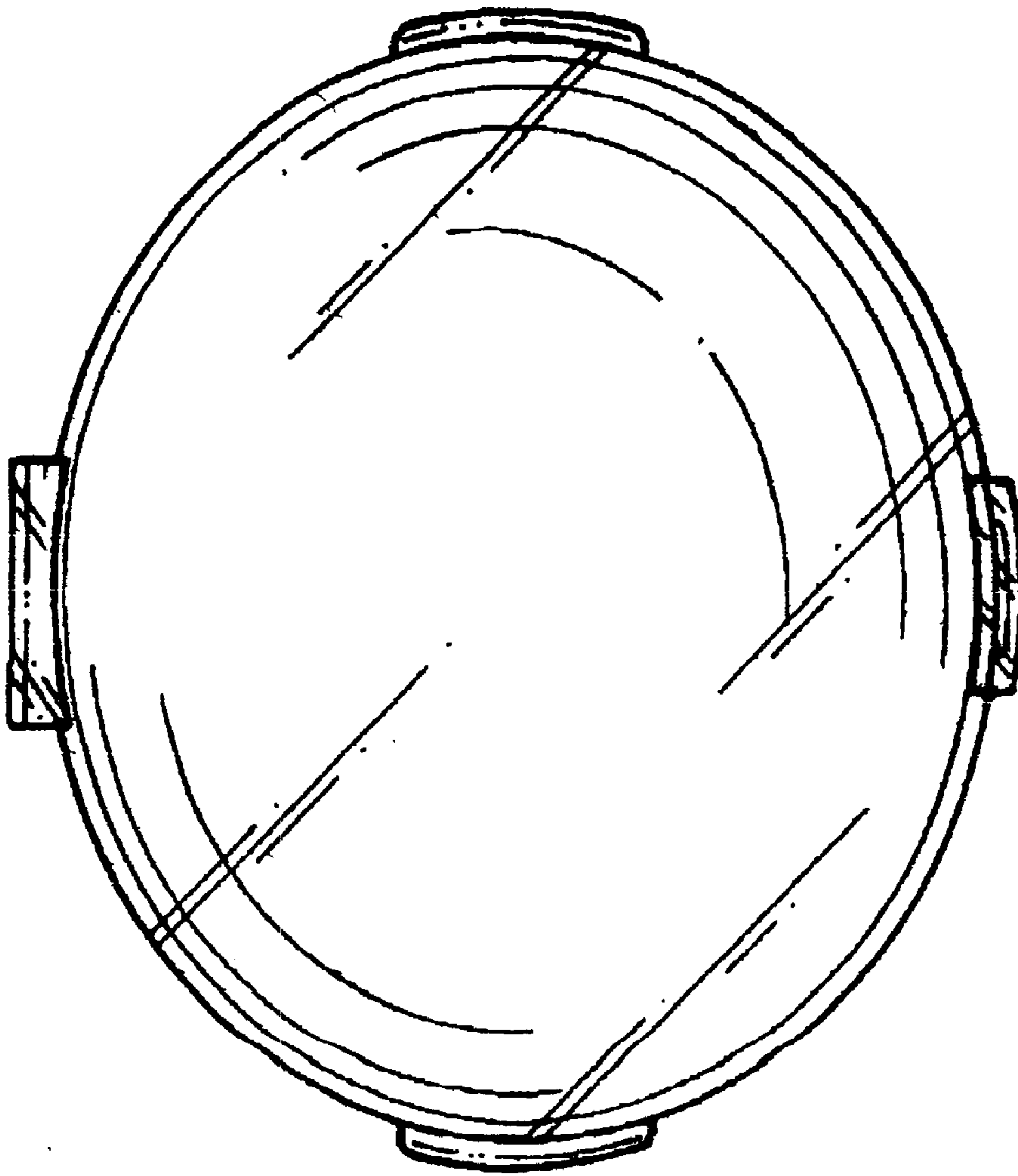


FIG. 5.