



US00D464323S

(12) **United States Design Patent**
Harasawa et al.

(10) **Patent No.:** **US D464,323 S**

(45) **Date of Patent:** **** Oct. 15, 2002**

(54) **CONTACT FOR AN ELECTRICAL CONNECTOR**

(75) Inventors: **Masaaki Harasawa**, Yokohama (JP);
Saburo Kase, Yokohama (JP); **Satoru Kihira**, Kawasaki (JP)

(73) Assignee: **J.S.T. Mfg. Co., Ltd.**, Osaka (JP)

(**) Term: **14 Years**

(21) Appl. No.: **29/133,120**

(22) Filed: **Nov. 21, 2000**

(30) **Foreign Application Priority Data**

May 30, 2000 (JP) 2000-014390

(51) **LOC (7) Cl.** **13-03**

(52) **U.S. Cl.** **D13/154; D13/133**

(58) **Field of Search** **D13/133, 154; 439/748, 852, 861**

(56) **References Cited**

U.S. PATENT DOCUMENTS

3,796,987	A	*	3/1974	Kinkaid et al.	439/748
5,443,592	A	*	8/1995	Ittah et al.	439/852 X
D365,325	S	*	12/1995	Hamada et al.	D13/133
5,562,501	A	*	10/1996	Kinoshita et al.	439/852
5,597,330	A	*	1/1997	Hatagishi	439/752
6,024,612	A	*	2/2000	Myer et al.	439/852
6,102,752	A	*	8/2000	Bommel et al.	439/852 X
6,165,026	A	*	12/2000	Sugie et al.	439/748
6,290,554	B1	*	9/2001	Makita et al.	439/852
2001/0002350	A1	*	5/2001	Kashiyama et al.	439/852 X
2001/0024913	A1	*	9/2001	Kitamura	439/852

OTHER PUBLICATIONS

molex Full Line Catalog; 2759/5159; 2578/5168; pp. 233, 264; Molex Company, Japan, Order No. JPN-J004/ Rev. 2, 1999.

* cited by examiner

Primary Examiner—Joel Sincavage

(74) *Attorney, Agent, or Firm*—W. F. Fasse; W. G. Fasse

(57) **CLAIM**

We claim the ornamental design for a contact for an electrical connector, as shown and described.

DESCRIPTION

FIG. 1 is a front view of a contact for an electrical connector showing our new design. The rear, not shown, is a mirror image to the front.

FIG. 2 is a top view of the contact.

FIG. 3 is a bottom view of the contact.

FIG. 4 is a left side view of the contact.

FIG. 5 is a right side view of the contact.

FIG. 6 is a sectional view along the line VI—VI in FIG. 4.

FIG. 7 is a left front perspective view of the contact; and,

FIG. 8 is a sectional view along the line VI—VI in FIG. 4,

wherein the contact is shown in a connecting condition. The contact is crimped onto a wire of a product and inserted into a housing of the electrical connector that is attached to the product. The contact contacts to a conductive pad on a printed circuit board. The wire, housing, product, conductive pad and printed circuit board are drawn in broken lines for illustrative purposes only and form no part of the claimed design.

1 Claim, 4 Drawing Sheets

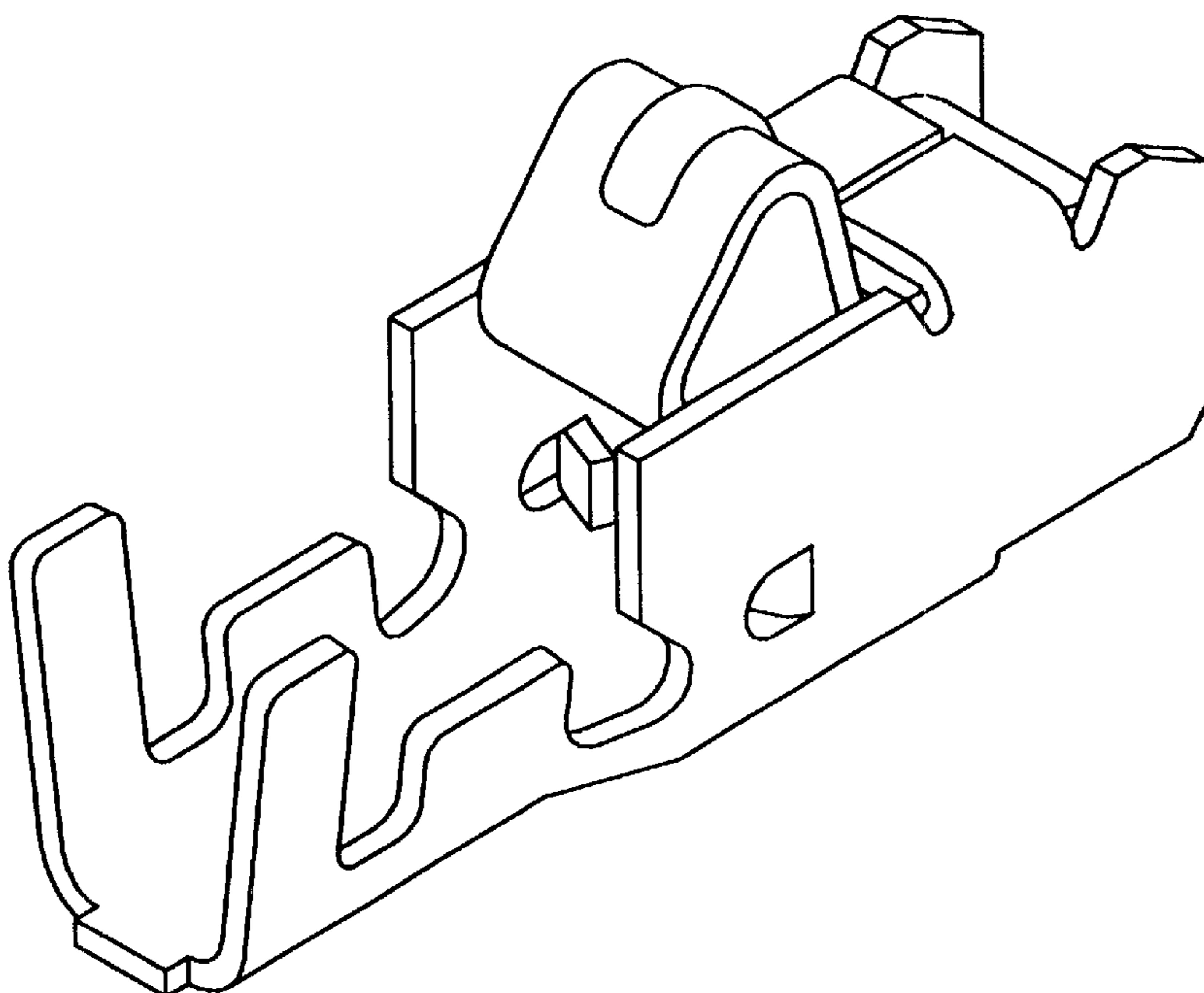


FIG. 1

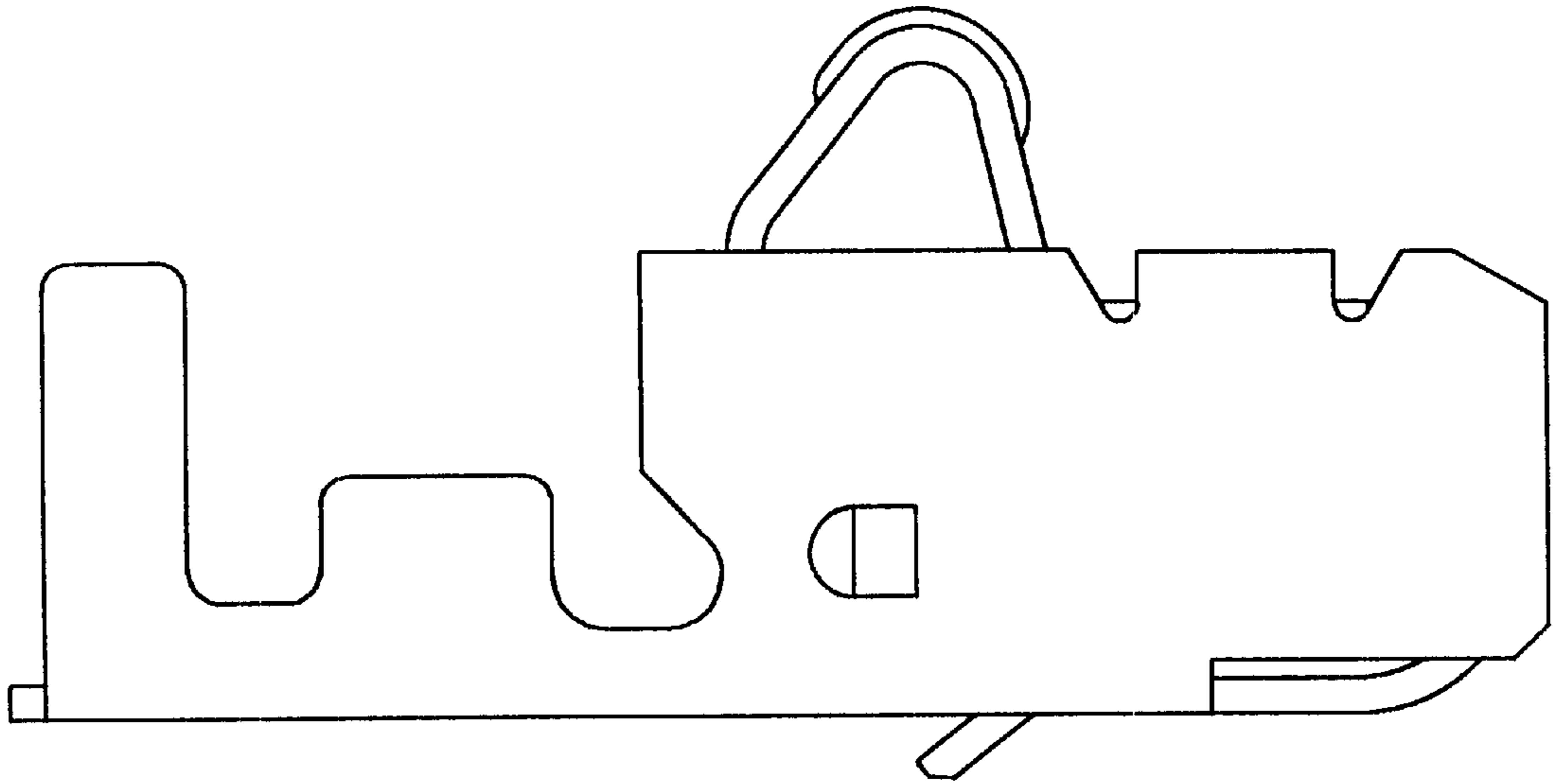
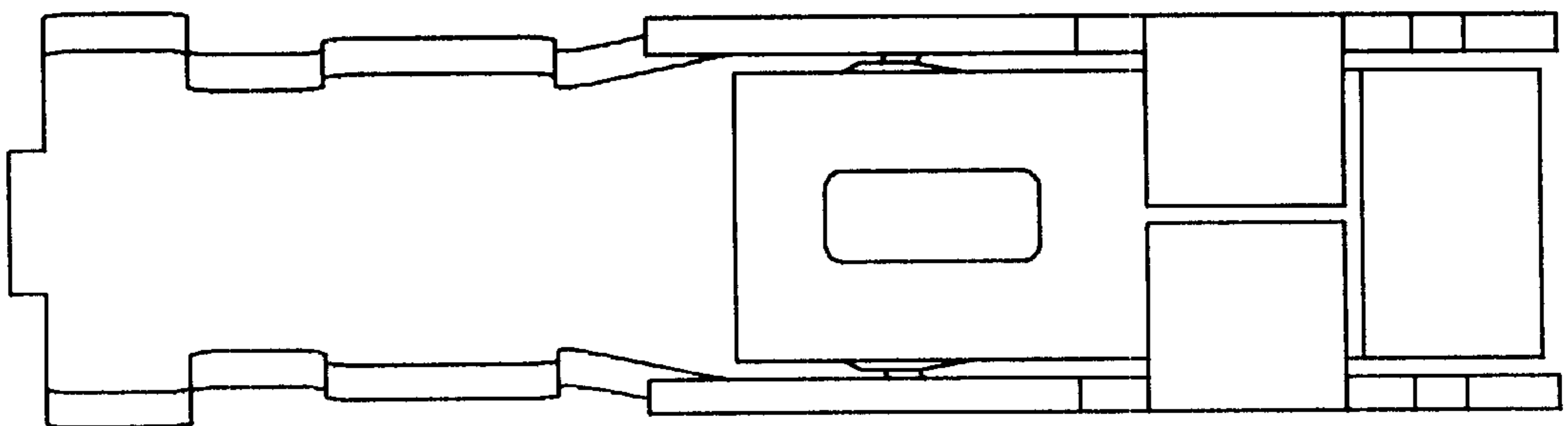
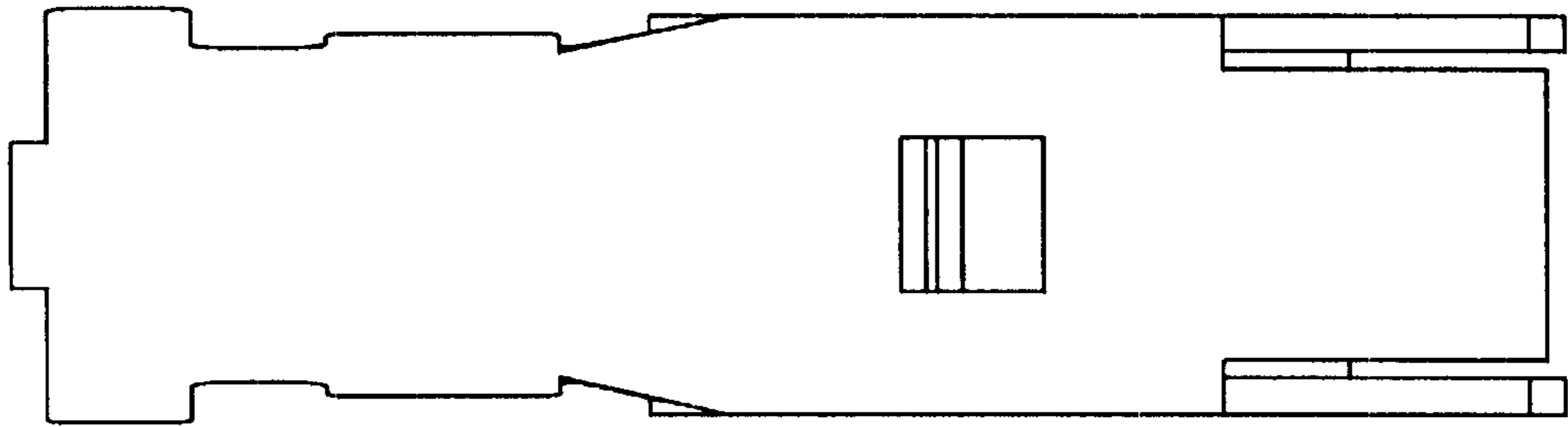


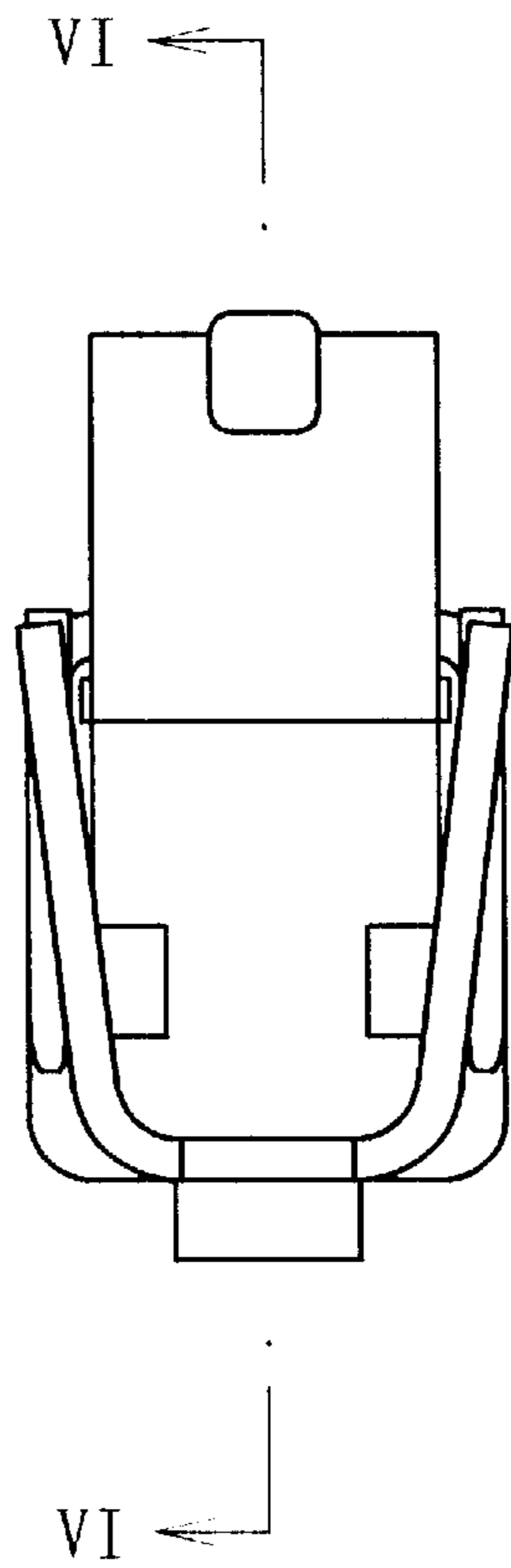
FIG. 2



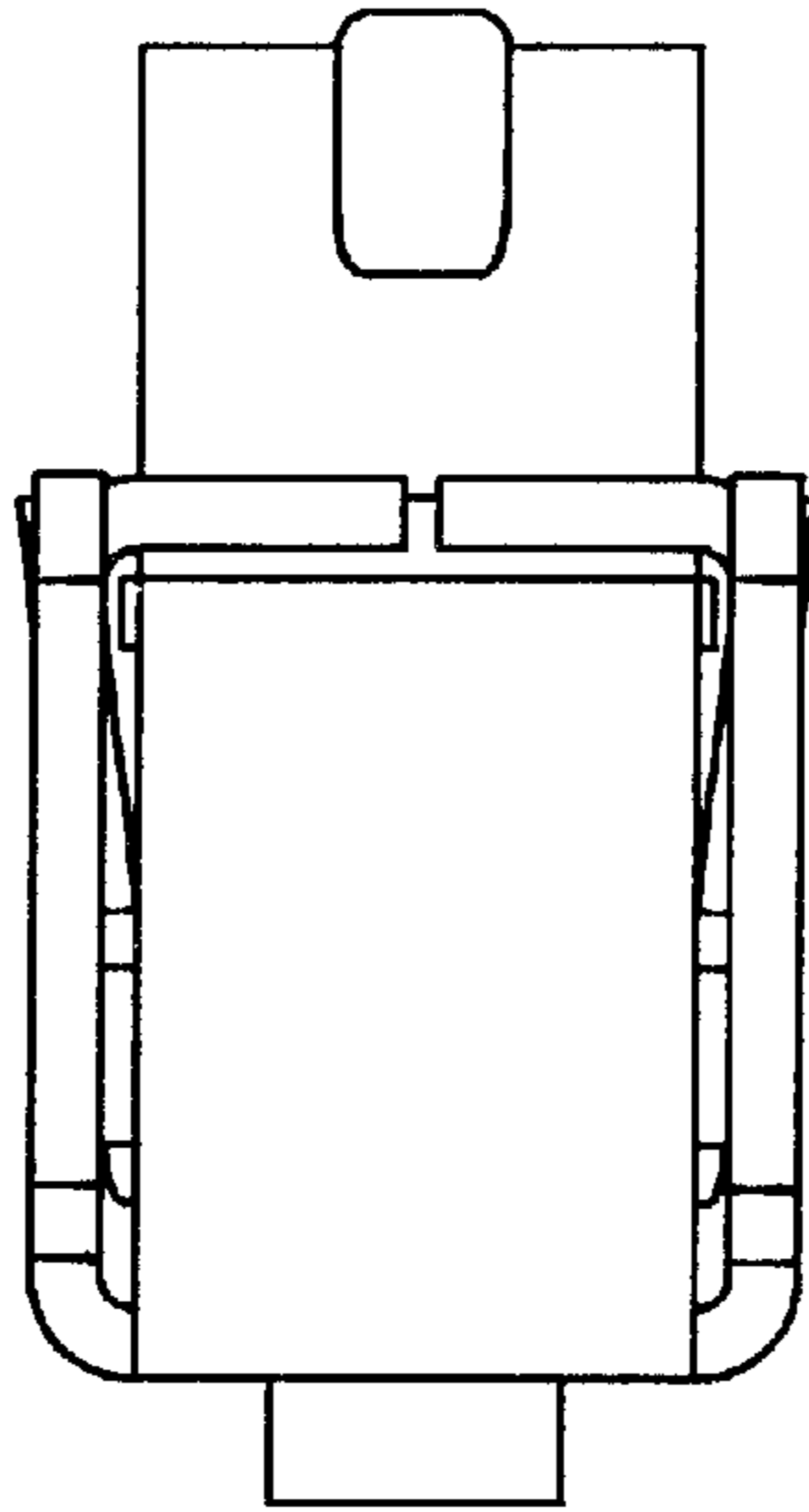
F I G . 3



F I G . 4



F I G . 5



F I G . 6

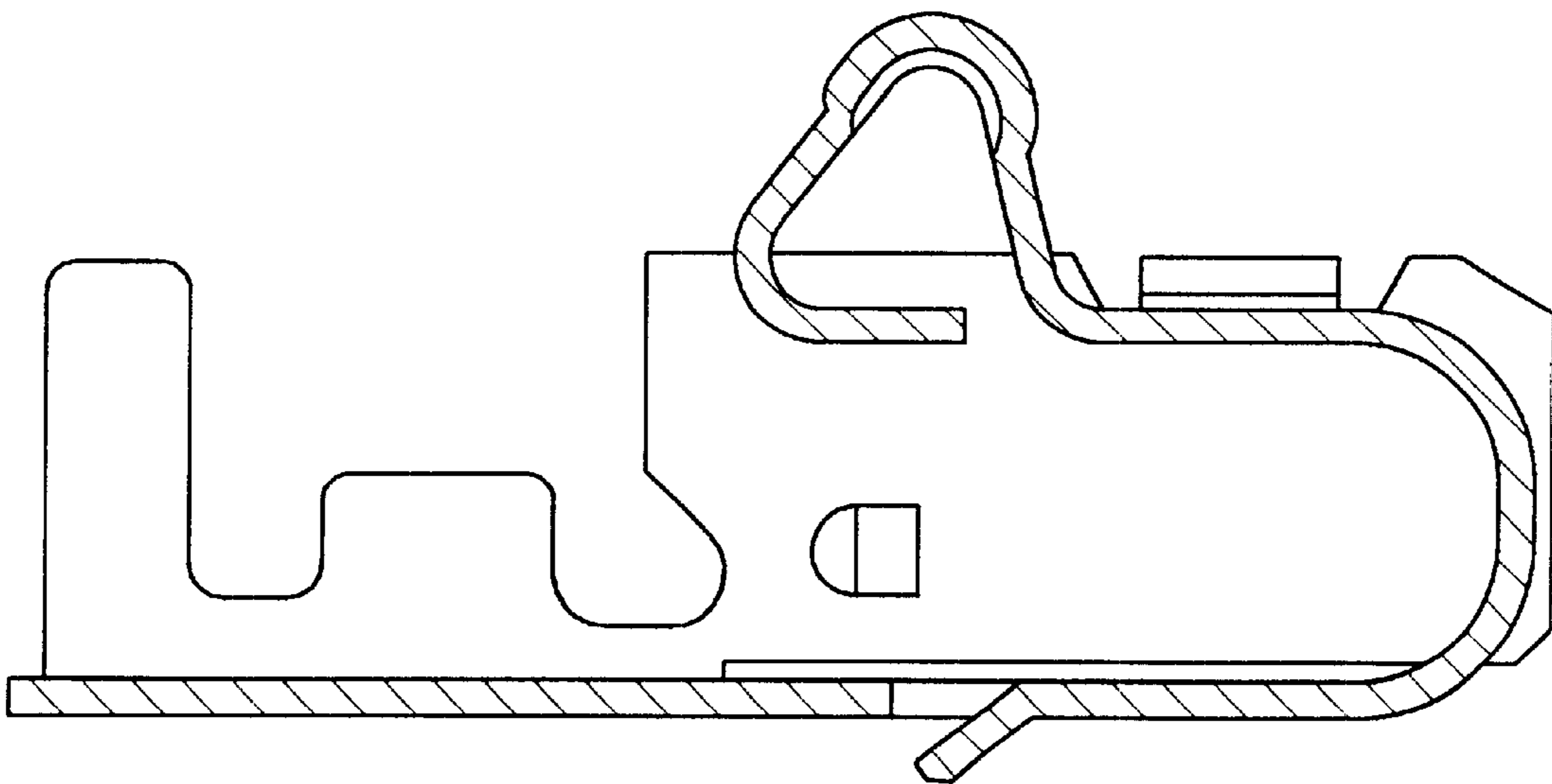


FIG. 7

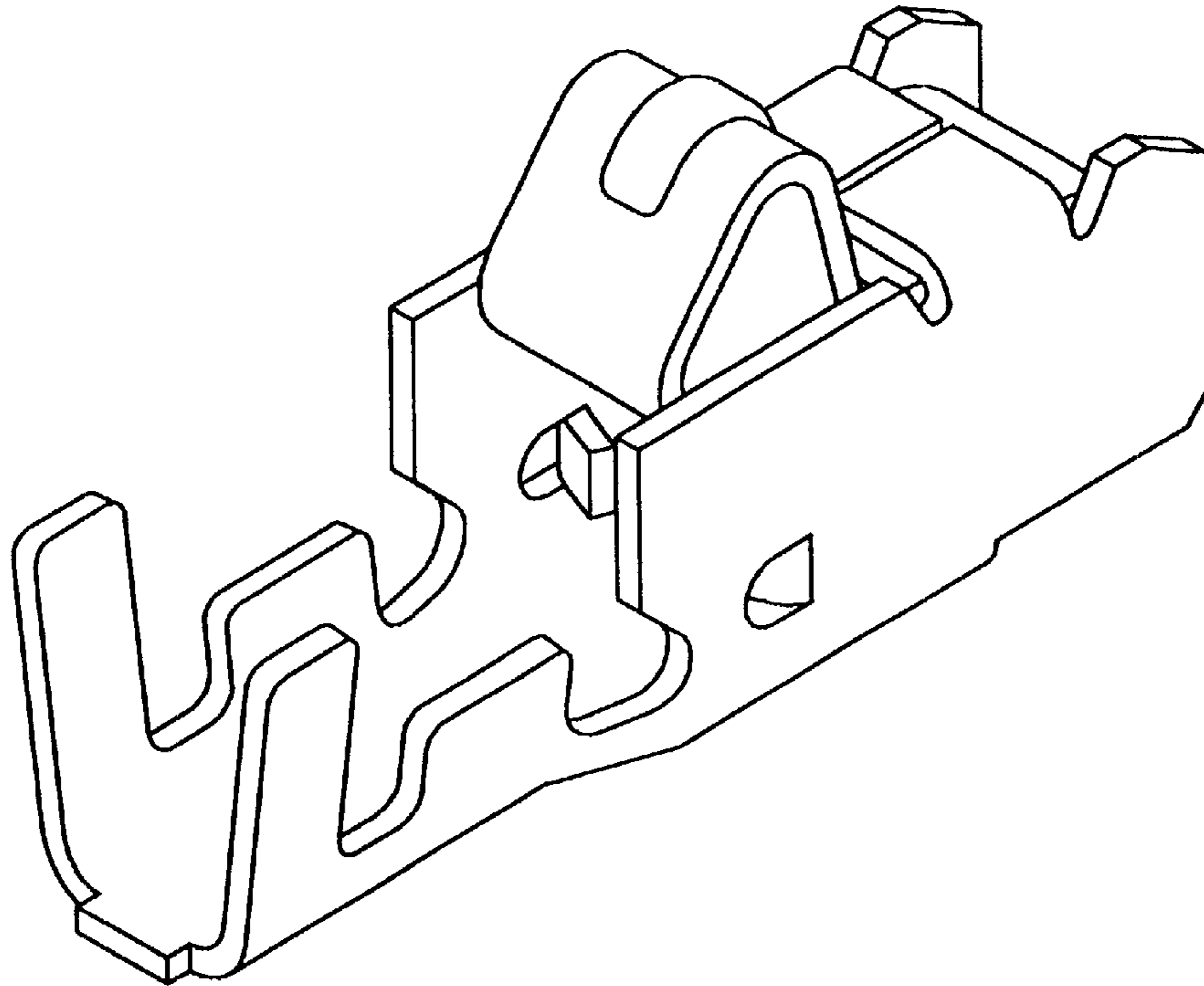


FIG. 8

