



US00D464320S

(12) **United States Design Patent**
Hisatomi et al.

(10) **Patent No.:** **US D464,320 S**

(45) **Date of Patent:** **** Oct. 15, 2002**

(54) **ELECTRICAL CONNECTOR**

(75) Inventors: **Kazukuni Hisatomi**, Chiba (JP);
Masayuki Kikuchi, Oume (JP)

(73) Assignee: **Japan Aviation Electronics Industry, Limited**, Tokyo (JP)

(**) Term: **14 Years**

(21) Appl. No.: **29/126,782**

(22) Filed: **Jul. 24, 2000**

(30) **Foreign Application Priority Data**

Jan. 28, 2000 (JP) 2000-007320

(51) **LOC (7) Cl.** **13-03**

(52) **U.S. Cl.** **D13/147**

(58) **Field of Search** D13/147; 439/101,
439/350, 357, 495, 499, 856, 857

(56) **References Cited**

U.S. PATENT DOCUMENTS

- D331,739 S * 12/1992 Sato et al. D13/147
- 5,547,385 A * 8/1996 Spangler 439/101
- 5,609,493 A * 3/1997 Cheng et al. 439/157
- 5,688,143 A * 11/1997 McHugh et al. 439/495
- 6,004,156 A * 12/1999 Roque et al. 439/495

- 6,089,883 A * 7/2000 McHugh et al. 439/108
- 6,193,544 B1 * 2/2001 McGinnis 439/499 X
- 6,210,209 B1 * 4/2001 Wu et al. 439/495
- 6,217,228 B1 * 4/2001 Samela et al. 439/101 X
- 6,280,239 B1 * 8/2001 Cheng 439/495

* cited by examiner

Primary Examiner—Joel Sincavage

(74) *Attorney, Agent, or Firm*—Michael Best & Friedrich LLC; J. Warren Whitesel

(57) **CLAIM**

The ornamental design for an electrical connector, as shown and described.

DESCRIPTION

FIG. 1 is a top elevational view of an electrical connector; FIG. 2 is a front elevational view thereof; FIG. 3 is a right side elevational view thereof; FIG. 4 is a rear elevational view thereof; FIG. 5 is a bottom plan view thereof; and, FIG. 6 is a perspective view of the front and right side thereof.

A left side elevational view of the electrical connector is omitted because it is presented symmetrical to the right side elevational view of FIG. 3.

1 Claim, 2 Drawing Sheets

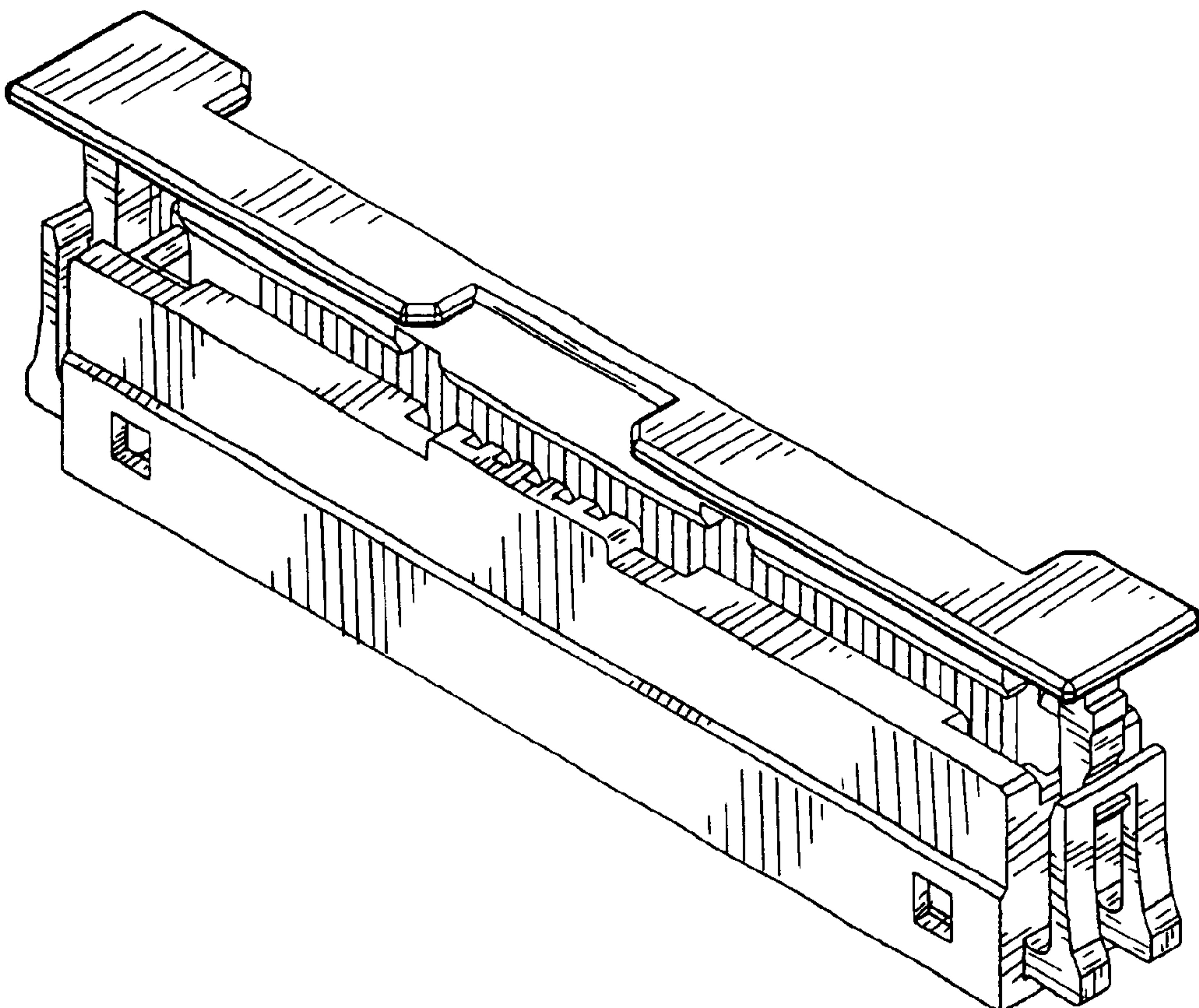


FIG. 1

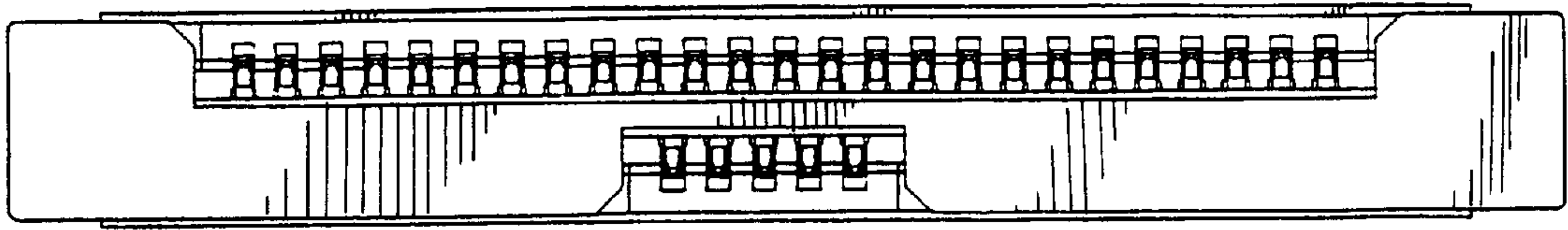


FIG. 2

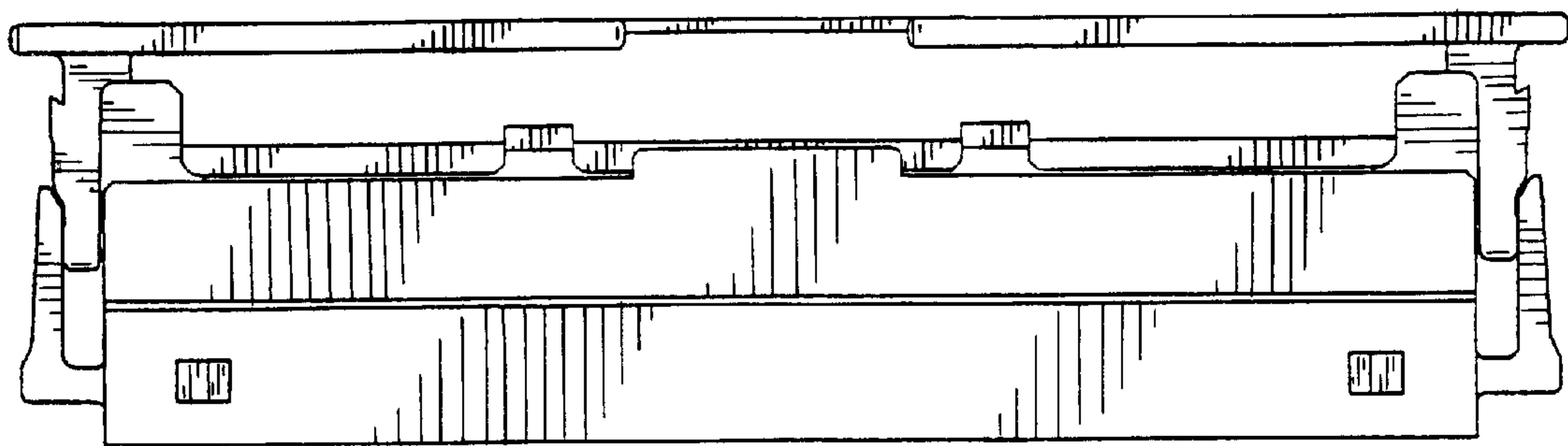


FIG. 3

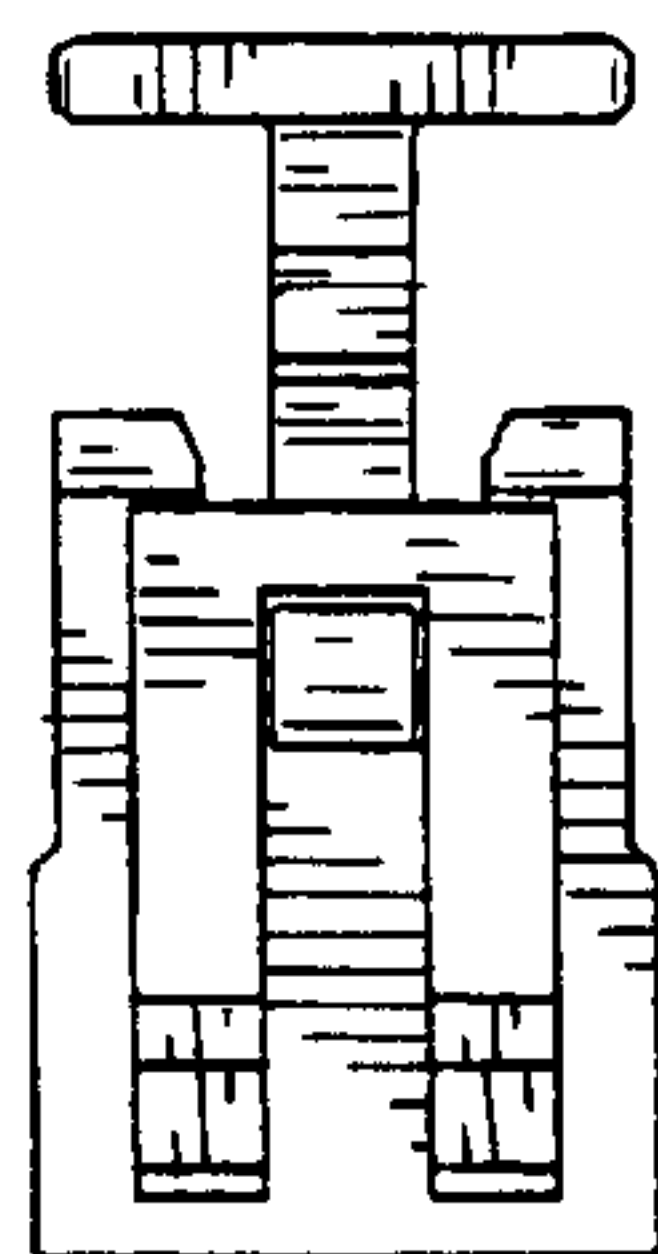


FIG. 4

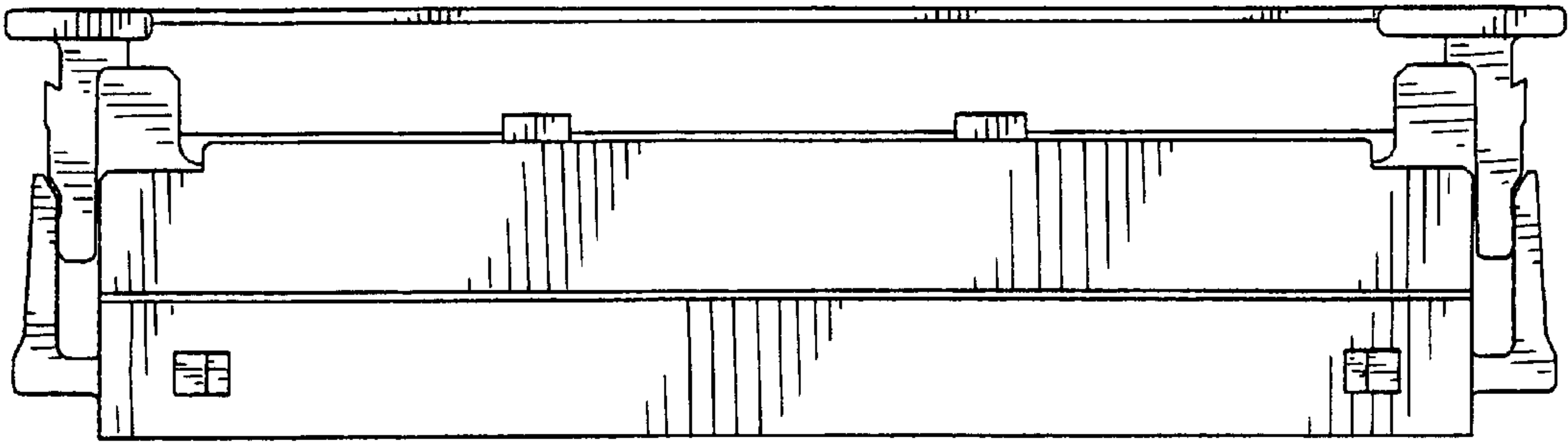


FIG. 5

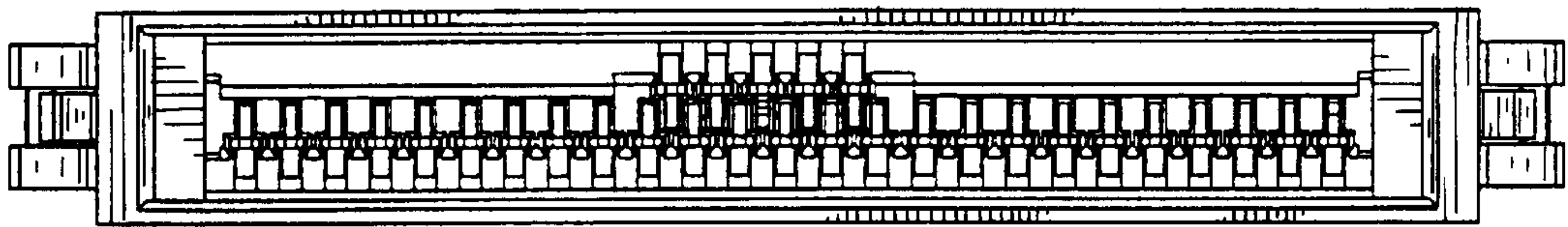


FIG. 6

