



US00D464319S

(12) **United States Design Patent**
Fowler

(10) **Patent No.:** **US D464,319 S**

(45) **Date of Patent:** **** Oct. 15, 2002**

- (54) **MULTI-OUTLET ADAPTER WITH SAFETY COVER**
- (76) Inventor: **Ian Fowler**, 1125 W. Farwell Ave., 2E, Chicago, IL (US) 60626
- (**) Term: **14 Years**
- (21) Appl. No.: **29/139,897**
- (22) Filed: **Apr. 6, 2001**
- (51) **LOC (7) Cl.** **13-03**
- (52) **U.S. Cl.** **D13/137.2**
- (58) **Field of Search** D13/137.1-4, D13/138.1, 138.2, 139.1-8, 154-155, 173, 184; 174/53, 66, 67; 361/42, 641, 658; 439/135, 136, 137, 140, 141, 152, 160, 164, 446, 477, 484, 521, 528, 535, 536, 650, 651, 652, 692-695, 736

D370,459 S	6/1996	Boesel et al.	D13/143
D370,460 S	6/1996	Boesel et al.	D13/143
5,544,025 A	8/1996	Bohlool et al.	362/95
5,556,289 A	9/1996	Holbrook, Jr.	439/135
5,675,126 A	10/1997	Halvorsen	174/67
5,895,275 A	4/1999	Harbertson	439/21
5,912,432 A	6/1999	Thomas	174/67
5,932,845 A	8/1999	Lacy	174/67
5,934,919 A	8/1999	Cross et al.	439/136
5,989,052 A	11/1999	Fields et al.	439/373
D418,114 S	12/1999	Hayduke et al.	D13/156
6,004,138 A	12/1999	Harbertson	439/32
6,015,307 A	1/2000	Chiu et al.	439/139
6,077,086 A	6/2000	LaRoche	439/32

* cited by examiner

Primary Examiner—Robert M. Spear
(74) *Attorney, Agent, or Firm*—Alfred W. Zaher; Bruce D. George; Saul Ewing LLP

(56) **References Cited**

U.S. PATENT DOCUMENTS

D194,870 S	*	3/1963	Hill	D13/139.1
4,283,102 A		8/1981	Richier	339/42
4,302,624 A		11/1981	Newman	174/67
4,408,813 A		10/1983	Koehler	339/38
4,508,933 A		4/1985	Carvel	174/67
4,552,421 A		11/1985	Drapkin	339/14
4,583,799 A		4/1986	Wiley	339/14
4,613,728 A		9/1986	Lathrop	174/53
4,660,912 A		4/1987	Tomek	339/44
4,737,599 A		4/1988	Fontaine	174/67
4,743,206 A		5/1988	Imhoff	439/137
4,760,215 A		7/1988	Cook et al.	174/67
4,774,641 A		9/1988	Rice	362/95
D318,849 S		8/1991	Luu	D13/141
5,122,082 A	*	6/1992	Lee	439/652
D329,423 S	*	9/1992	Luu	D13/137.2
5,257,946 A		11/1993	MacMillian et al.	439/536
D342,235 S		12/1993	Shotey	D13/177
5,288,945 A		2/1994	Bruce	174/67
D354,736 S	*	1/1995	Hallett et al.	D13/156
5,383,799 A	*	1/1995	Fladung	439/652
D366,453 S		1/1996	Boesel et al.	D13/139

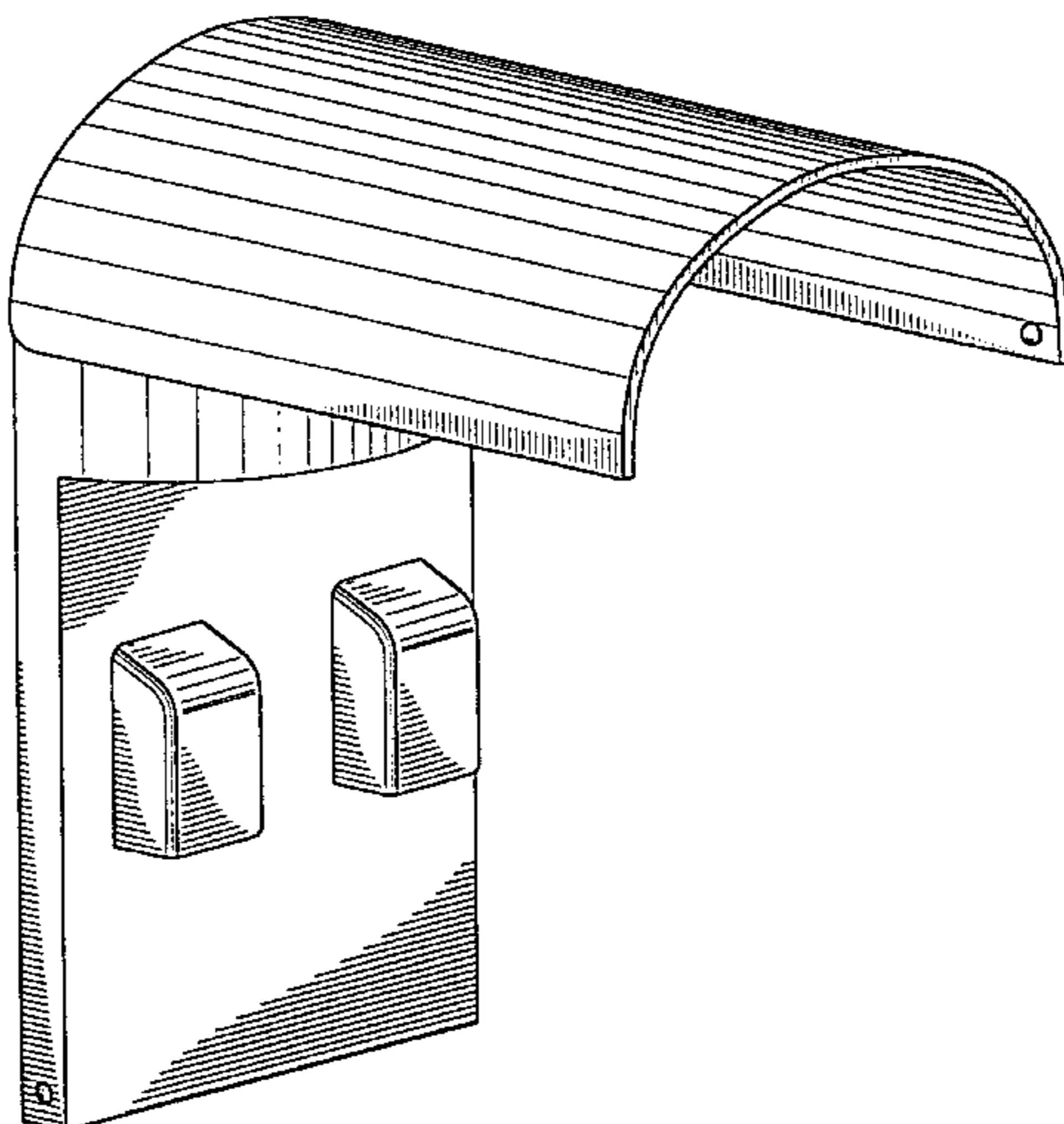
(57) **CLAIM**

The ornamental design for a multi-outlet adapter with safety cover, as shown and described.

DESCRIPTION

FIG. 1 is a perspective view of a multi-outlet adapter with safety cover showing my new design with the safety cover in an open position;
 FIG. 2 is a perspective view thereof with the safety cover in a closed position;
 FIG. 3 is a front elevational view thereof;
 FIG. 4 is a rear elevational view thereof;
 FIG. 5 is a left side elevational view thereof with the safety cover in an open position;
 FIG. 6 is a right side elevational view thereof with the safety cover in a closed position;
 FIG. 7 is a top plan view thereof; and,
 FIG. 8 is a bottom plan view thereof.
 The broken lines showing outlet prongs, outlet prong openings, attachment screws and attachment screw holes are for illustrative purposes only and form no part of the claimed design.

1 Claim, 5 Drawing Sheets



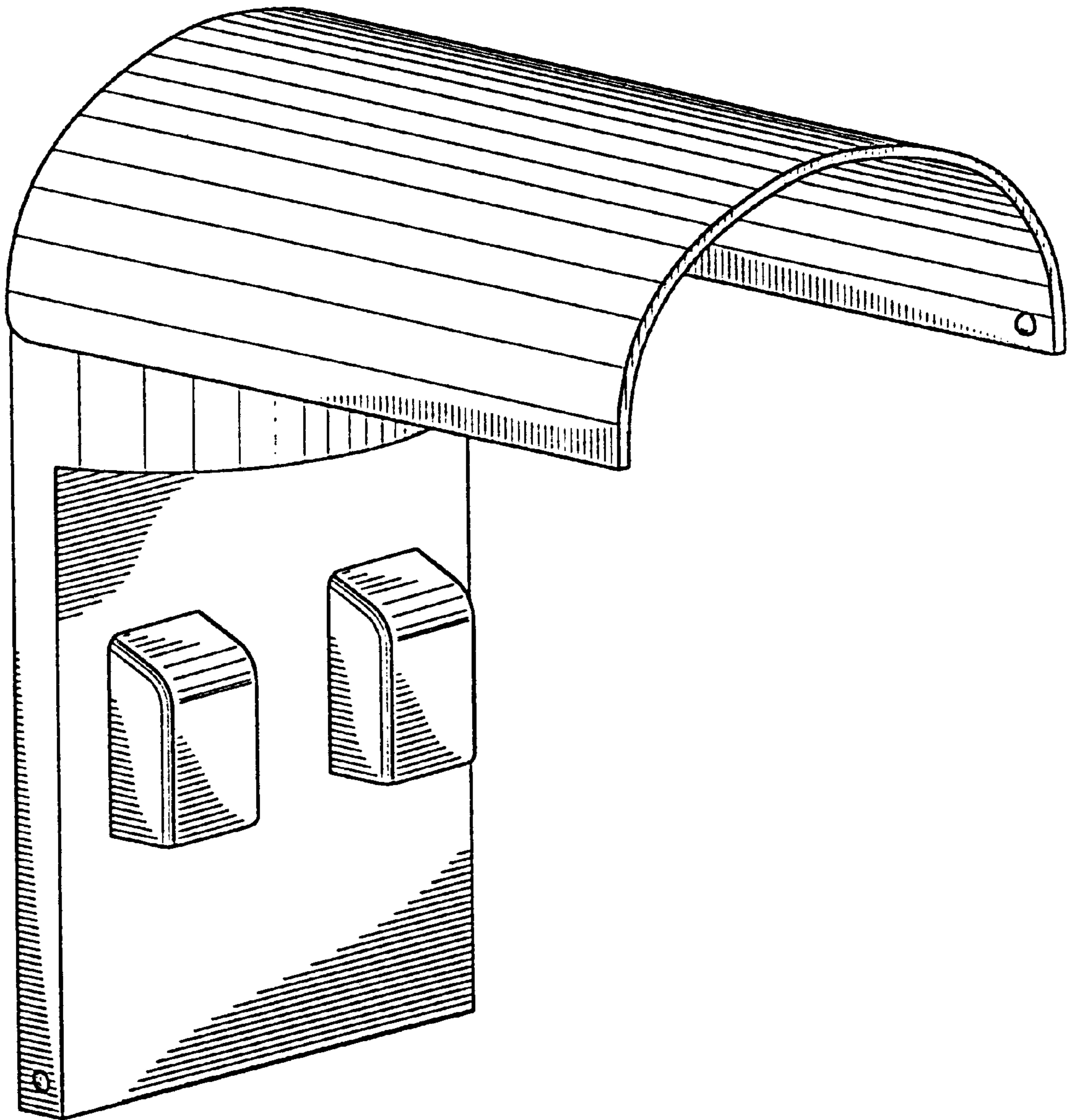


FIG. 1

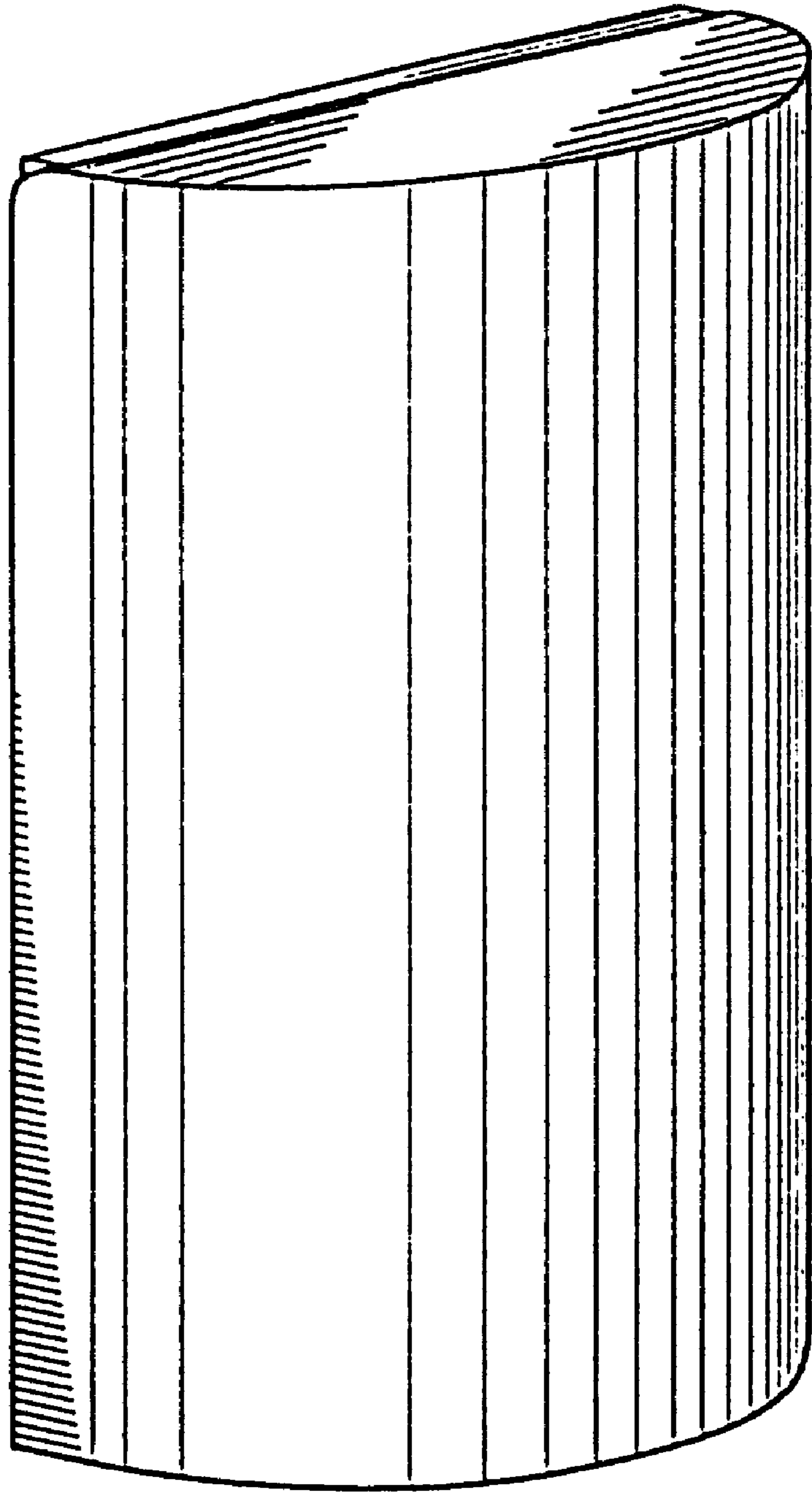


FIG. 2

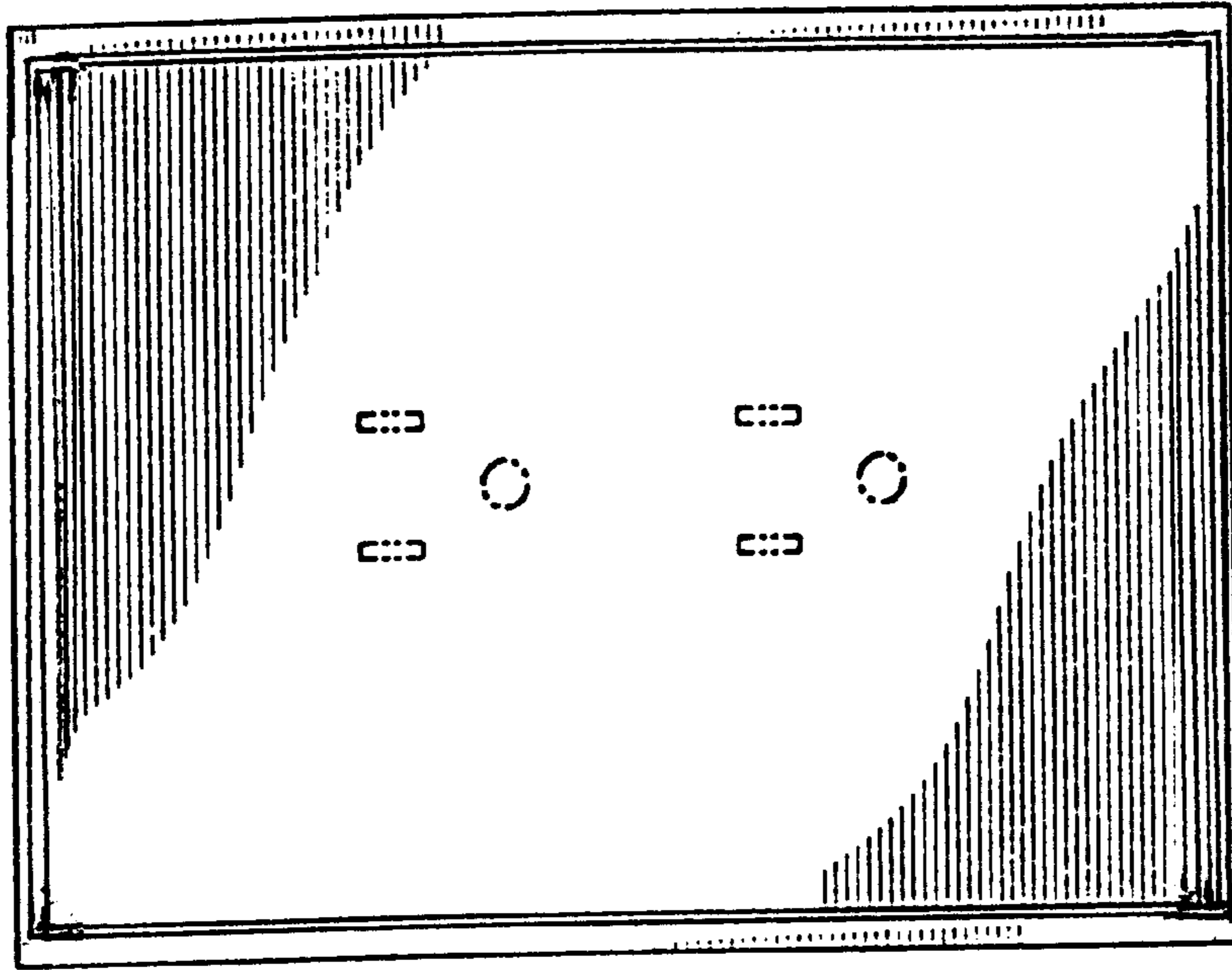


FIG. 4

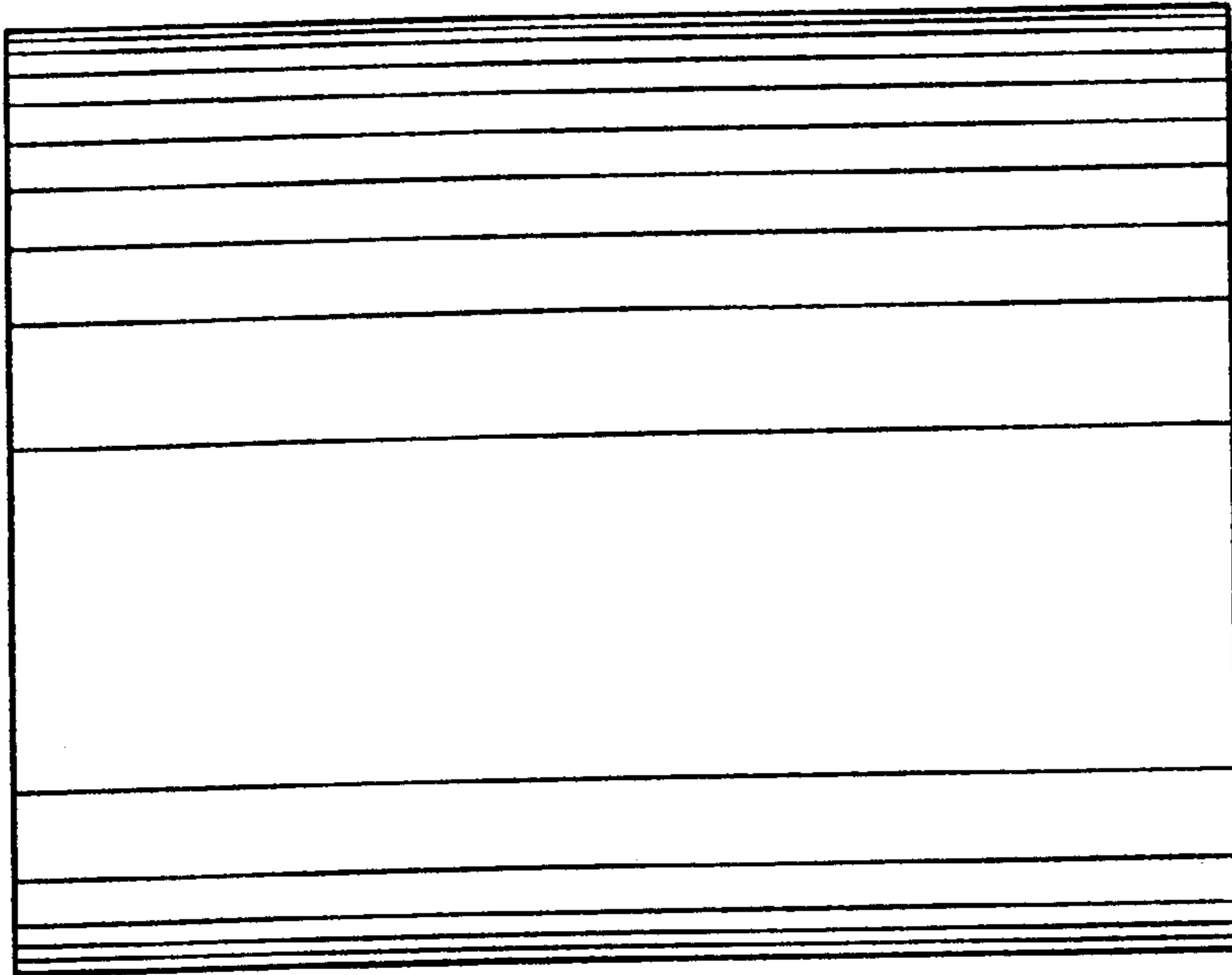


FIG. 3

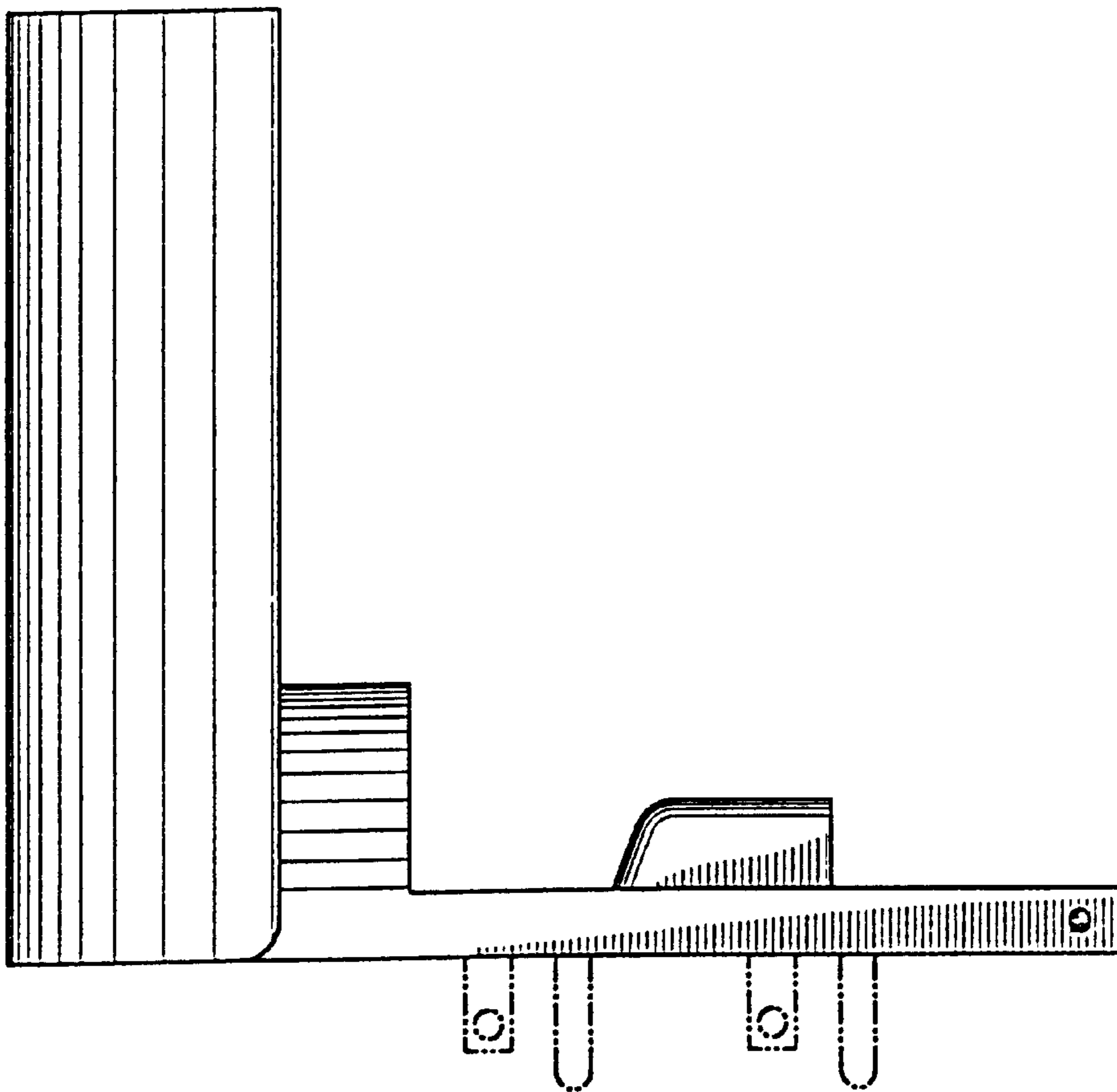


FIG. 5

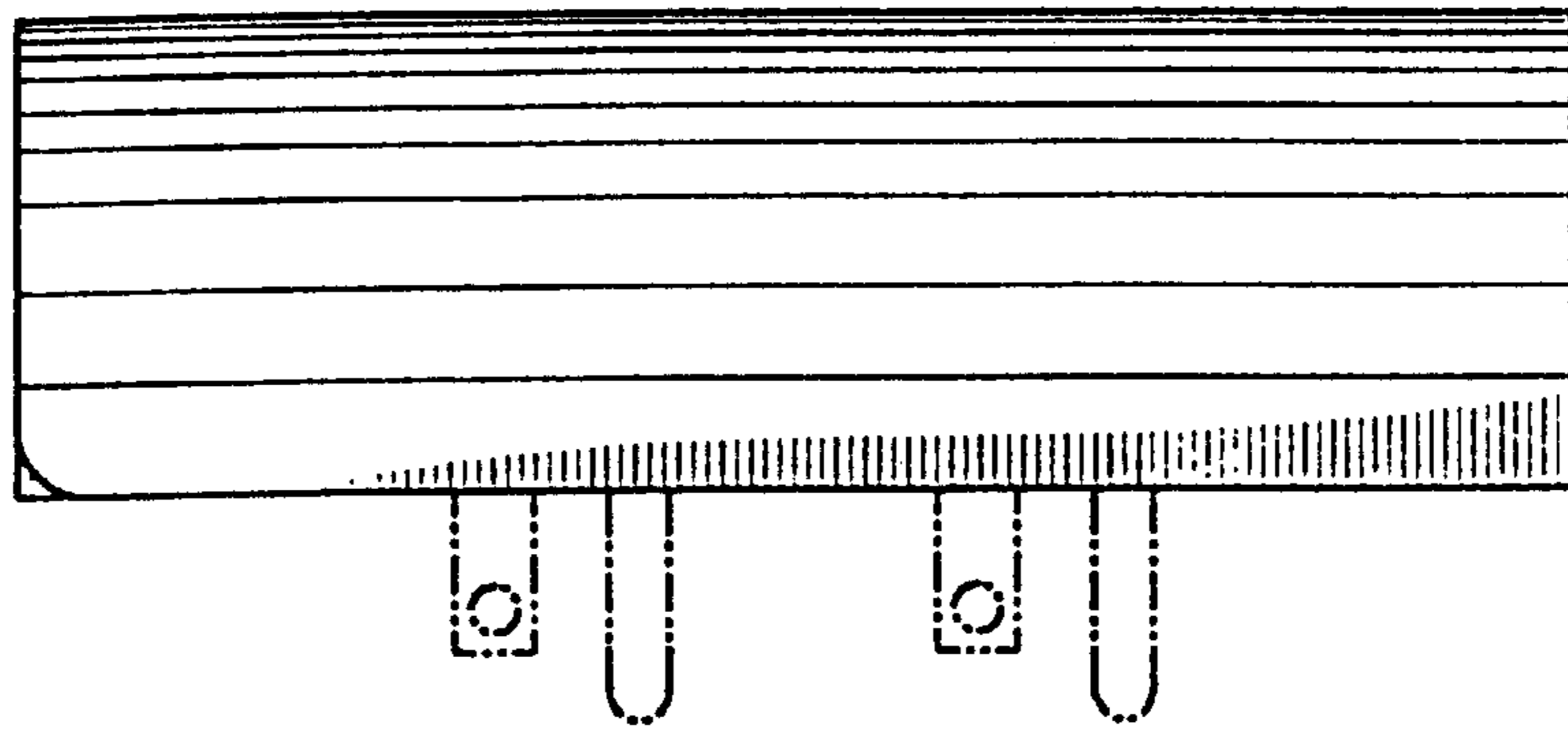


FIG. 6

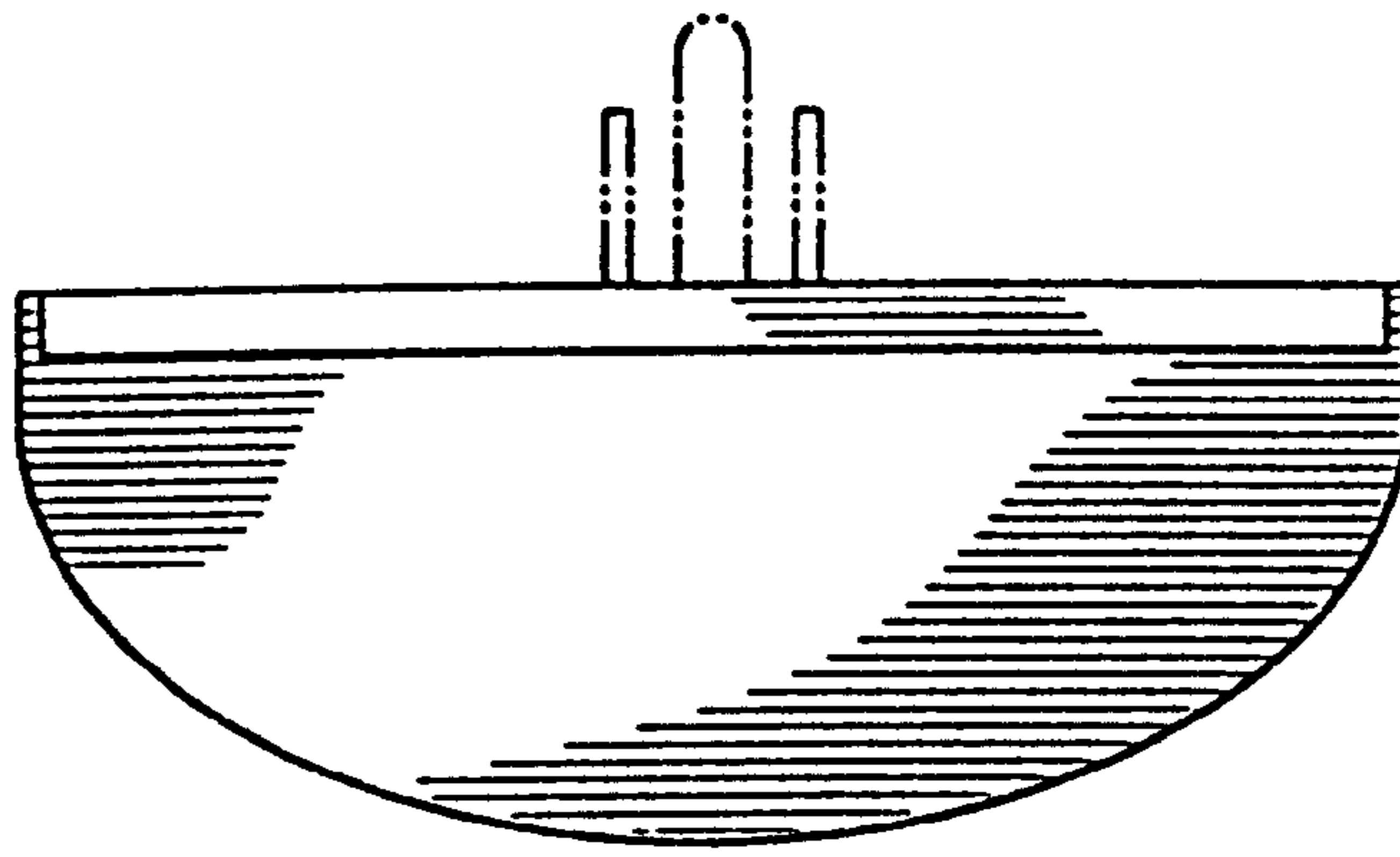


FIG. 7 .

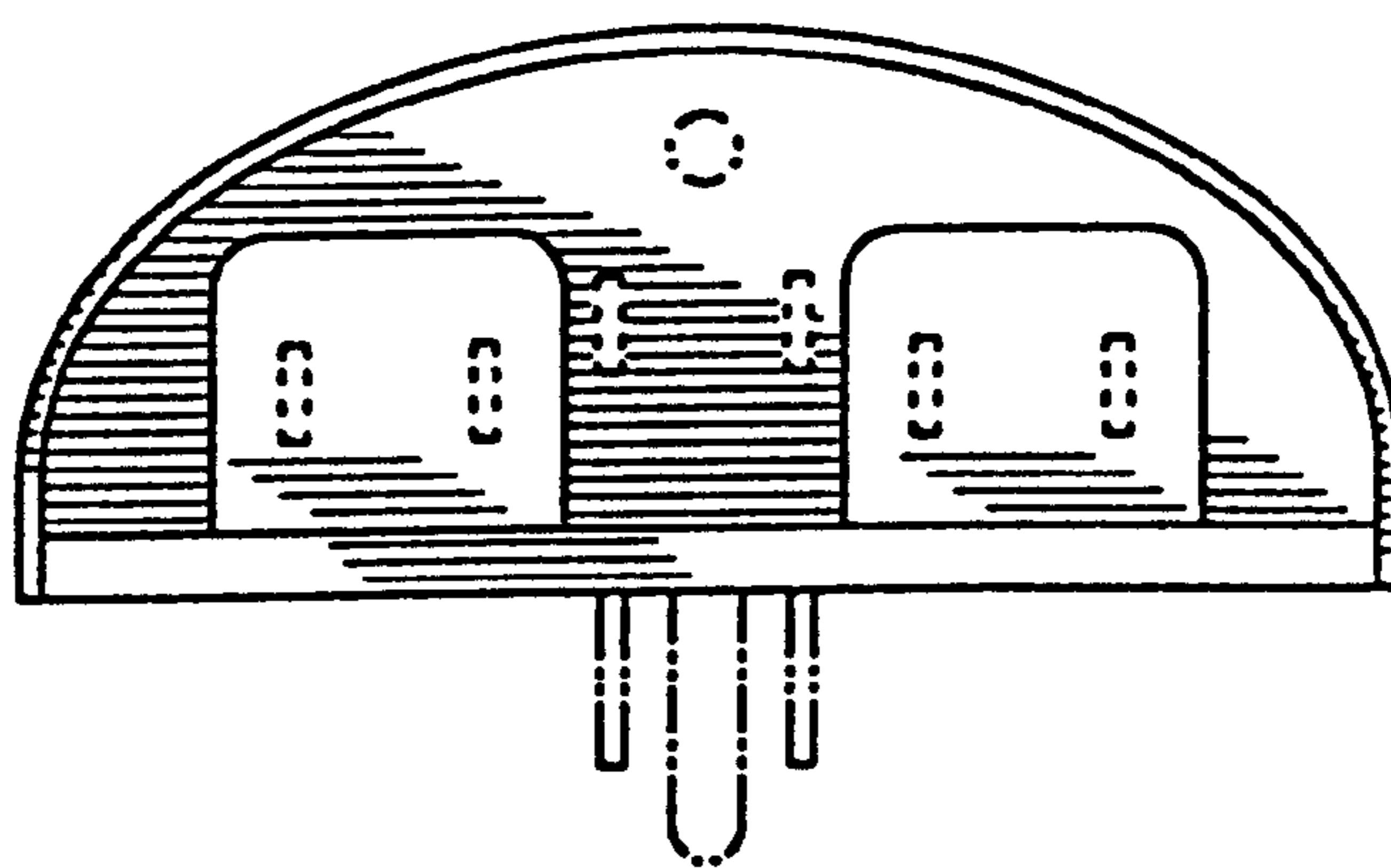


FIG. 8