



US00D464316S

(12) **United States Design Patent**
Nazar

(10) **Patent No.:** **US D464,316 S**

(45) **Date of Patent:** **** Oct. 15, 2002**

(54) **HANDS FREE CAR ADAPTER**

(75) Inventor: **David Nazar**, Los Angeles, CA (US)

(73) Assignee: **Hypercel Corporation**, San Fernando, CA (US)

(**) Term: **14 Years**

(21) Appl. No.: **29/153,340**

(22) Filed: **Jan. 9, 2002**

(51) **LOC (7) Cl.** **13-02**

(52) **U.S. Cl.** **D13/110**

(58) **Field of Search** D13/107, 108,
D13/110, 144; 320/104; 439/165, 534;
379/446, 454

(56) **References Cited**

U.S. PATENT DOCUMENTS

- 5,687,234 A * 11/1997 Chang 379/454
- D397,994 S * 9/1998 Ben-Moshe D13/144
- 5,802,167 A * 9/1998 Hong 379/388

D457,134 S * 5/2002 Lam et al. D13/110

* cited by examiner

Primary Examiner—Joel Sincavage

(74) *Attorney, Agent, or Firm*—Andrew B. Katz; Cozen O'Connor

(57) **CLAIM**

The ornamental design for a hands free car adapter, as shown and described.

DESCRIPTION

FIG. 1 is an isometric rear view of the present invention; FIG. 2 is an isometric lower front view of the present invention;

FIG. 3 is a rear view of the present invention;

FIG. 4 is a front view of the present invention;

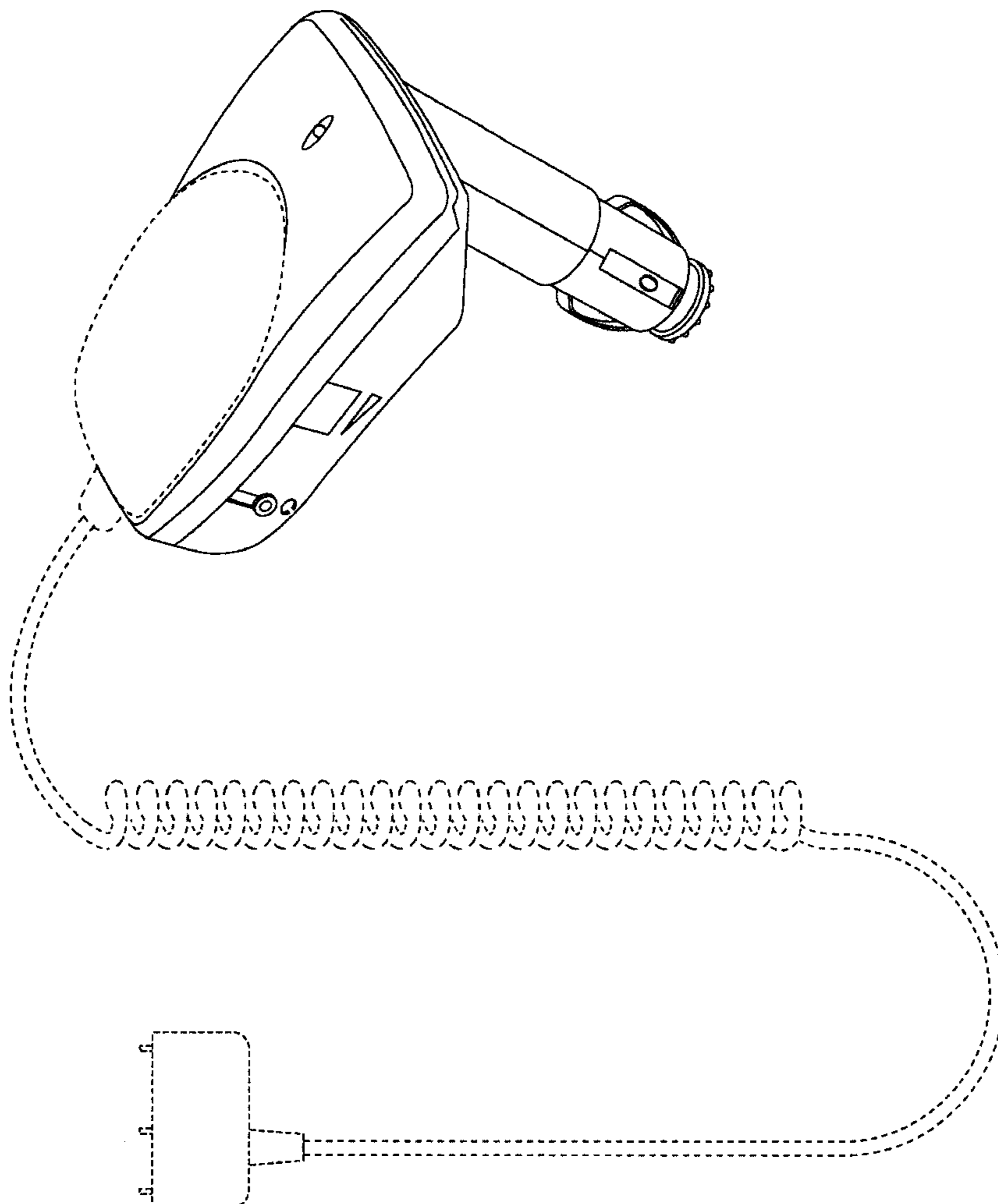
FIG. 5 is a right view of the present invention;

FIG. 6 is a left view of the present invention; and,

FIG. 7 is a top view of the present invention.

The broken lines throughout the drawing figures are included for the purpose of illustrating environmental structure only and form no part of the claimed design.

1 Claim, 7 Drawing Sheets



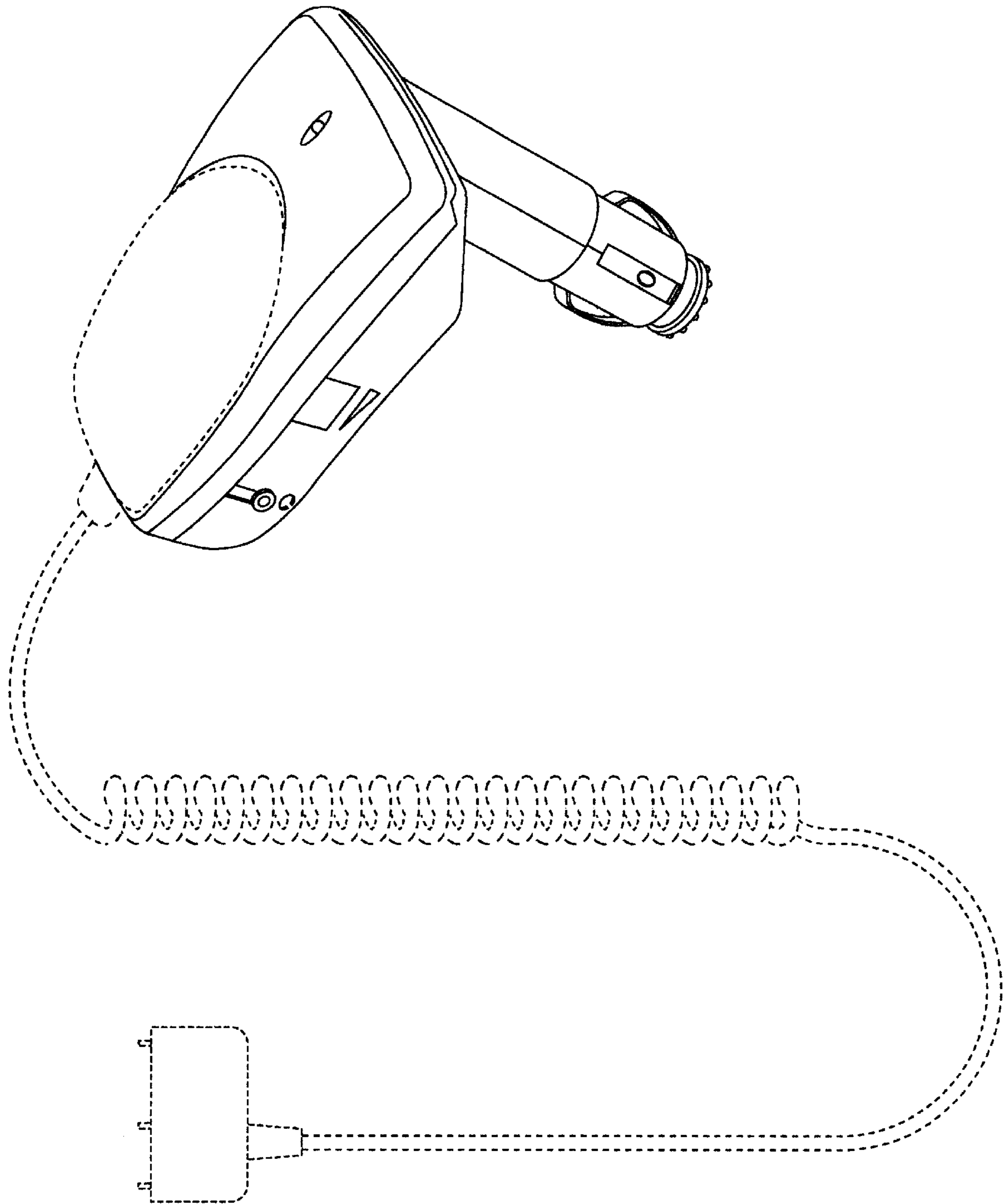


Figure 1

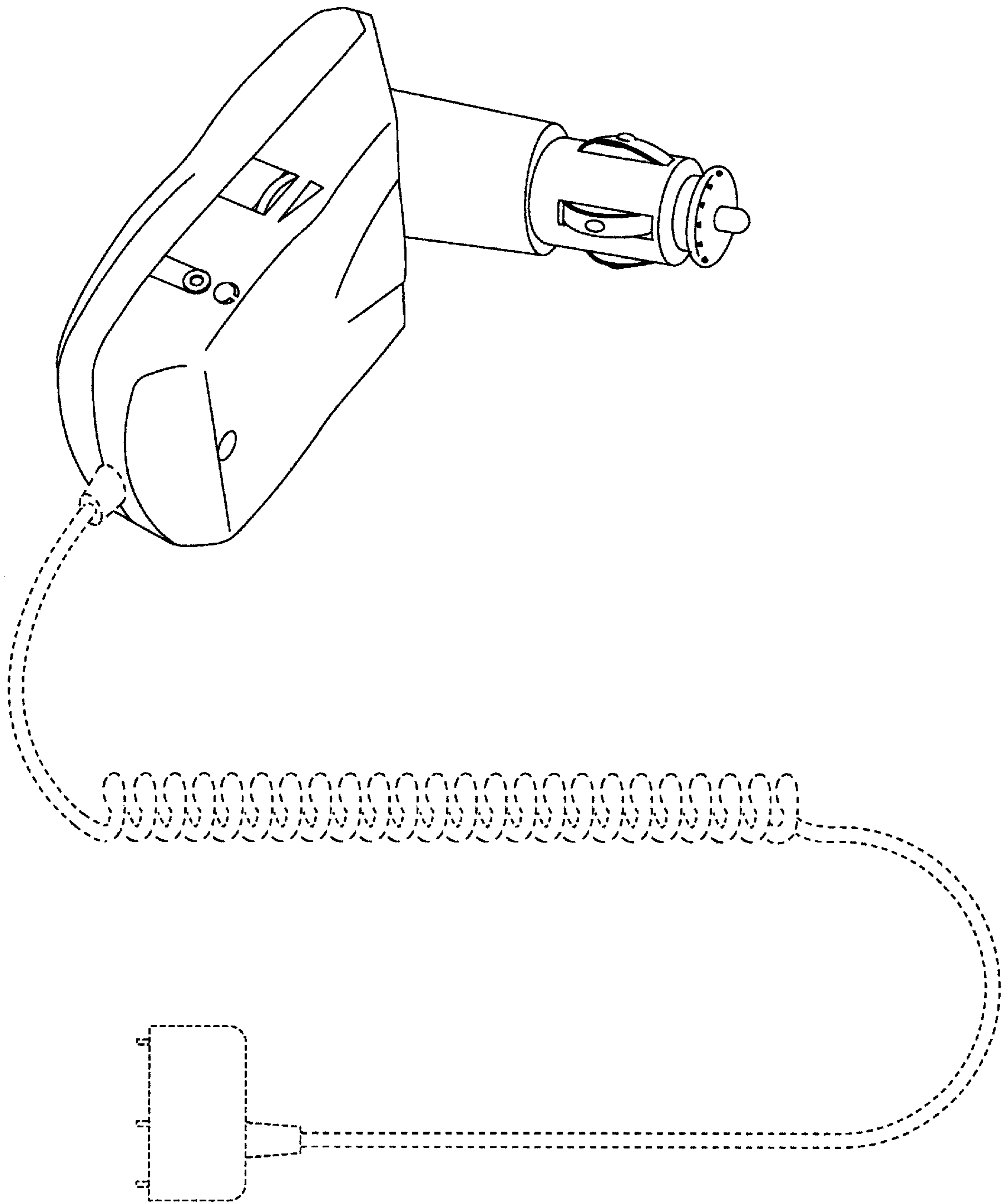


Figure 2

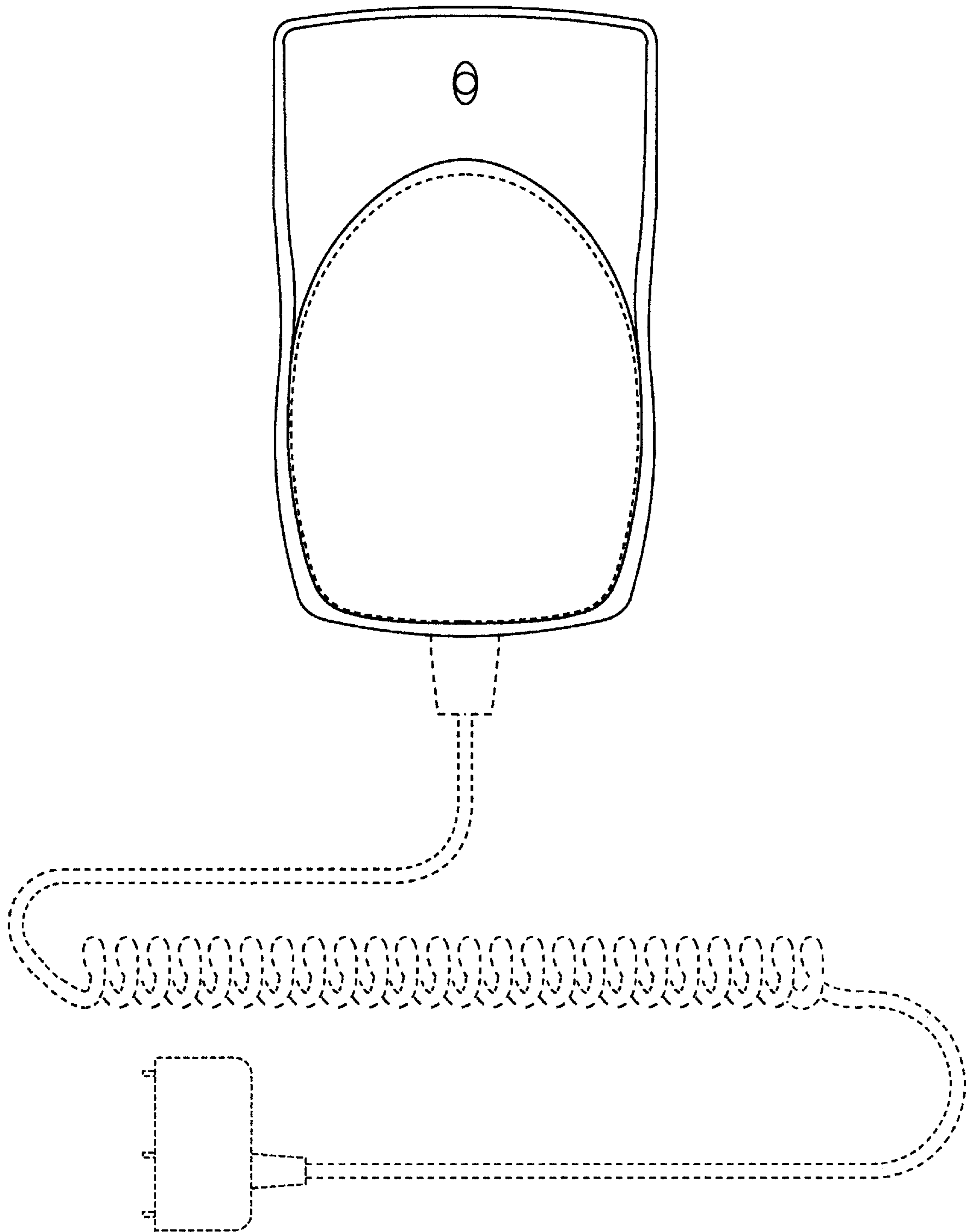


Figure 3

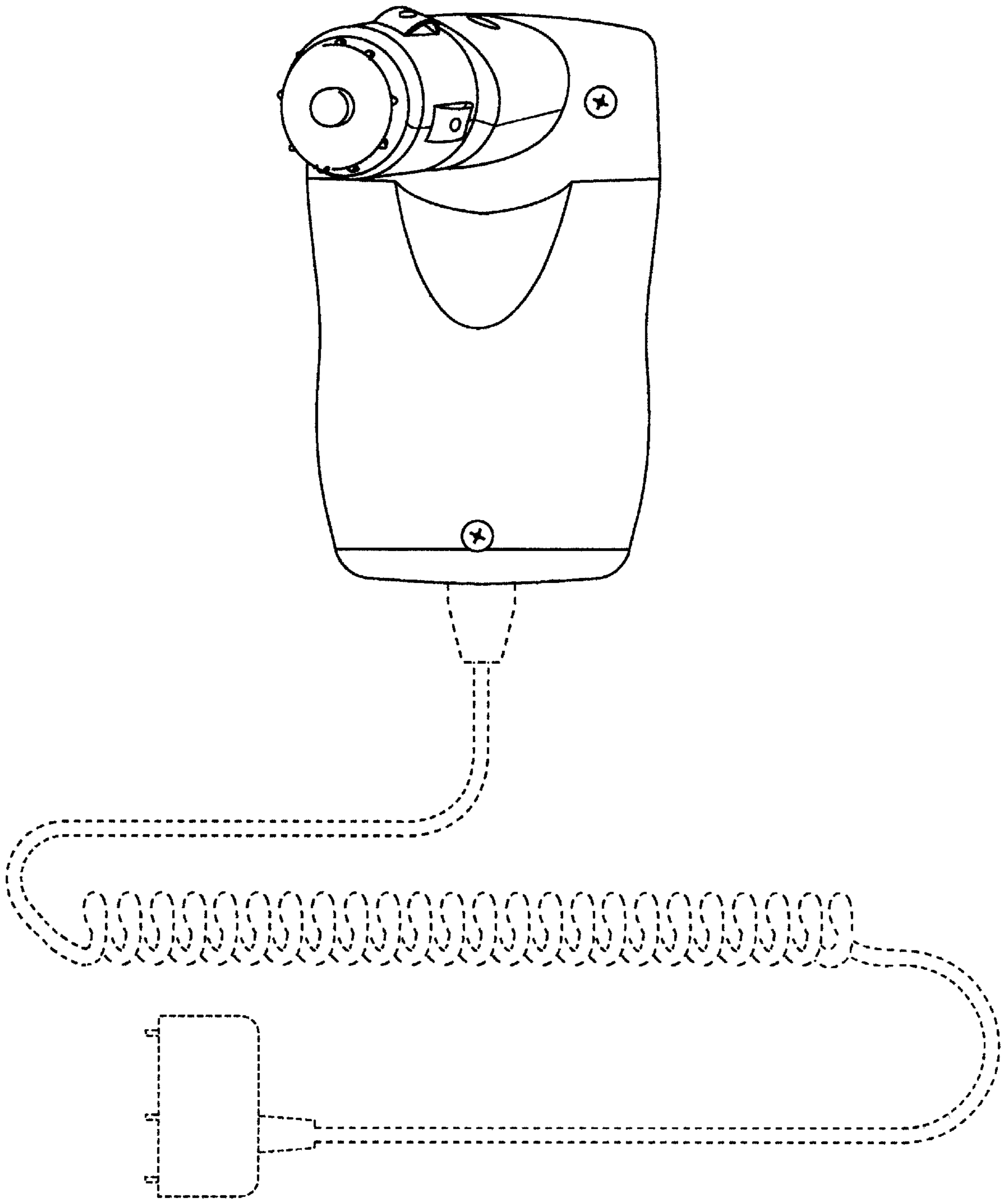


Figure 4

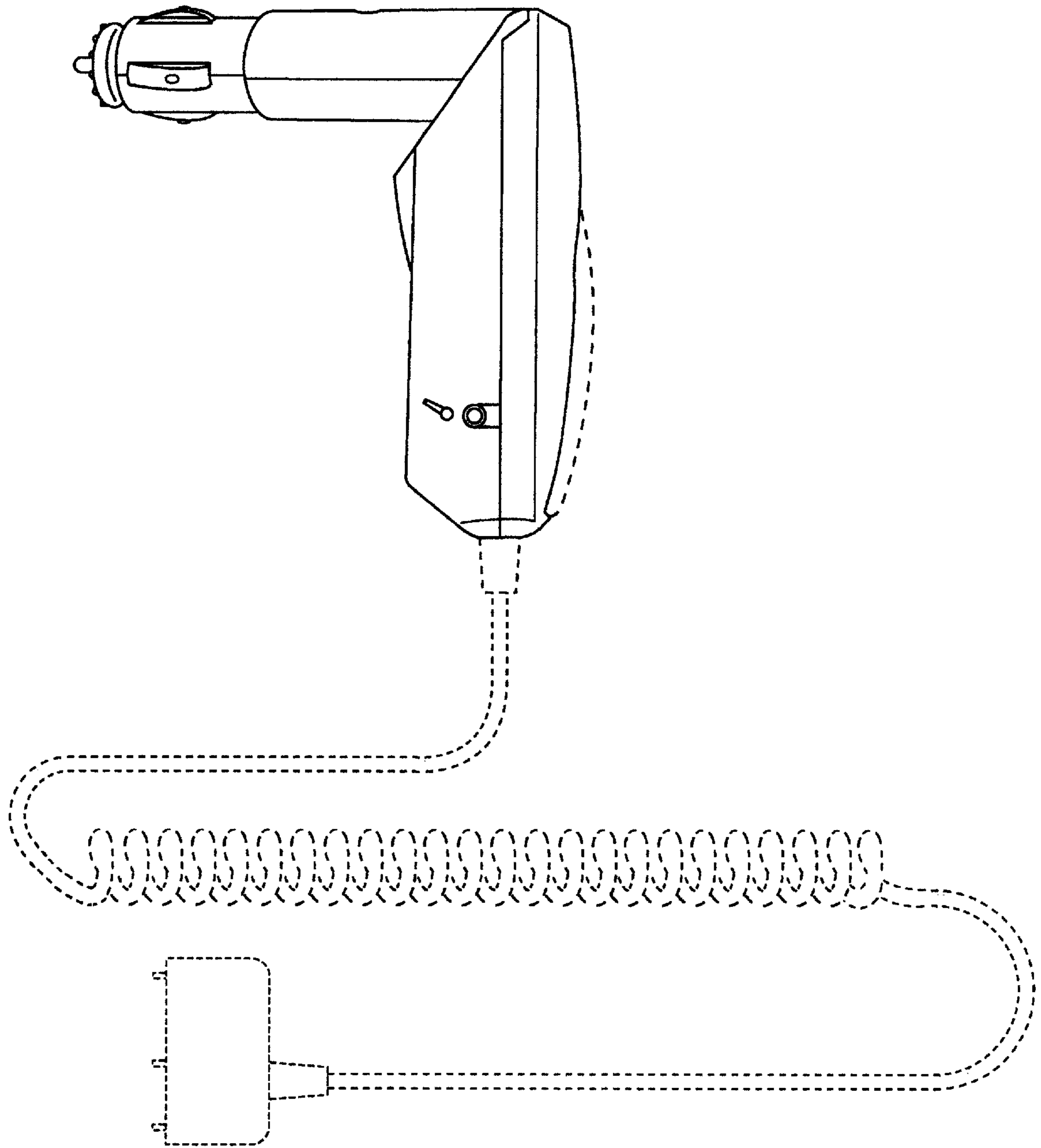


Figure 5

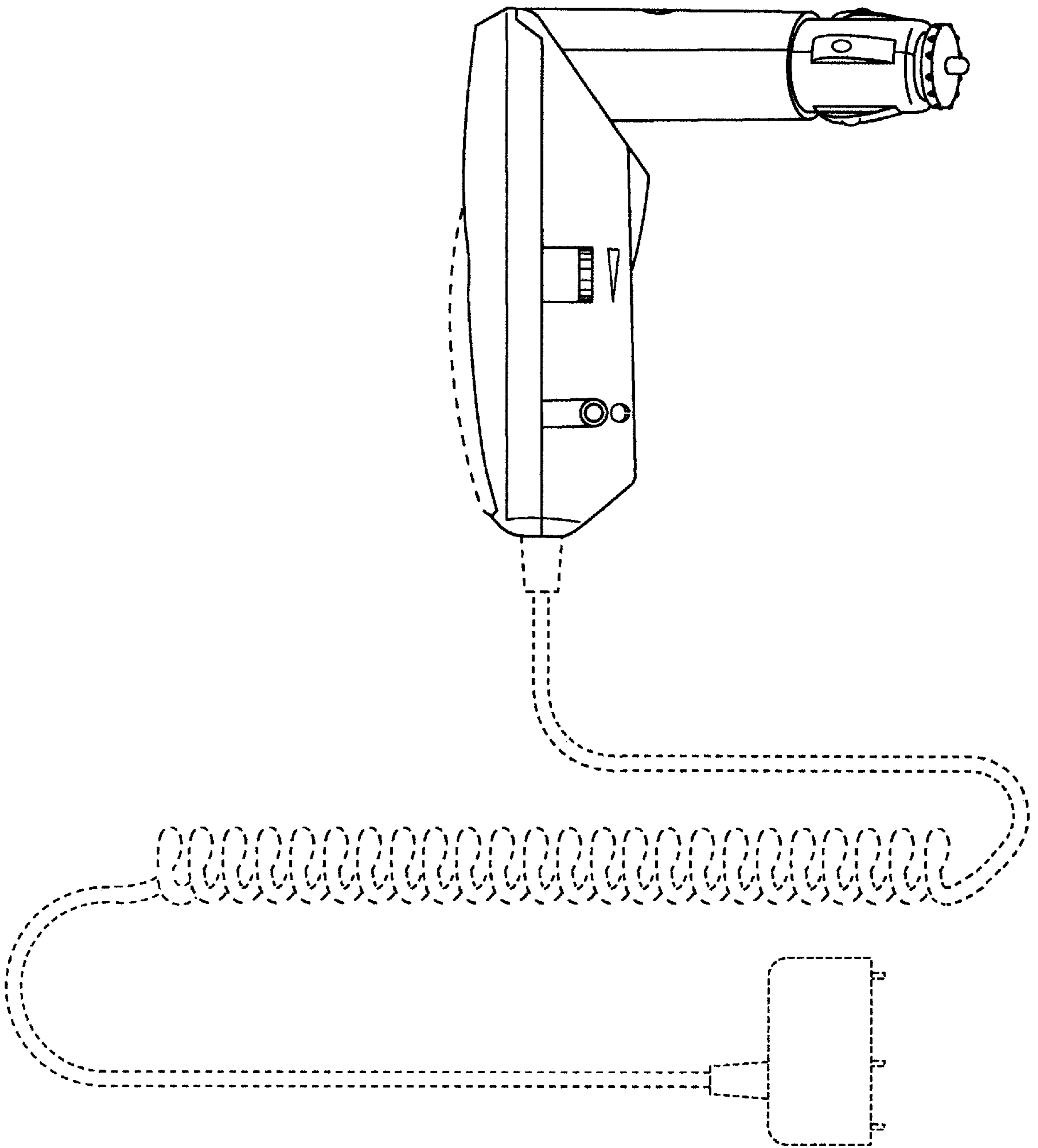


Figure 6

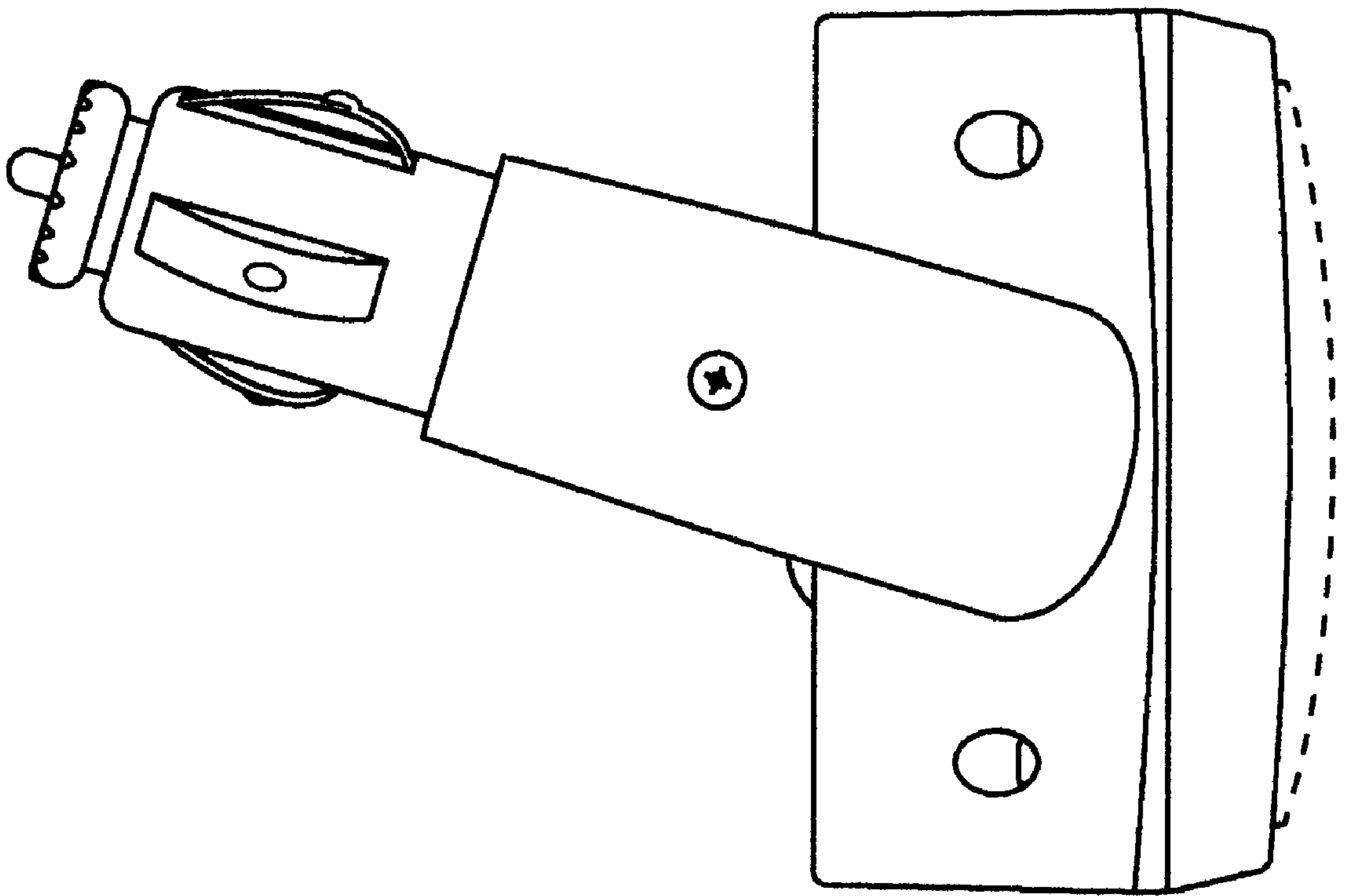


Figure 7