



US00D464312S

(12) **United States Design Patent**
Douce

(10) **Patent No.:** **US D464,312 S**

(45) **Date of Patent:** **** Oct. 15, 2002**

(54) **TREAD OF A TIRE**

(75) Inventor: **Emmanuelle Douce**, Yasuraoka (JP)

(73) Assignee: **Michelin Recherche et Technique S.A.**
(CH)

(**) Term: **14 Years**

(21) Appl. No.: **29/153,511**

(22) Filed: **Jan. 9, 2002**

(30) **Foreign Application Priority Data**

Jul. 9, 2001 (FR) 01 4133

(51) **LOC (7) Cl.** **12-15**

(52) **U.S. Cl.** **D12/560**

(58) **Field of Search** D12/544, 546,
D12/547, 549, 551, 553, 554, 555, 558,
559, 560, 561, 562, 563, 564, 565, 566,
567, 579, 586, 588, 589, 590, 591, 595,
603; 152/209.1, 209.12, 209.13, 209.26,
209.27, 209.28

(56) **References Cited**

U.S. PATENT DOCUMENTS

- D320,180 S 9/1991 Diensthuber
- D322,237 S 12/1991 Nakatani
- D328,583 S 8/1992 Graas et al.
- 5,198,047 A * 3/1993 Graas et al. 152/209.18
- D351,368 S 10/1994 Graas et al.
- D369,995 S 5/1996 Graas et al.
- D387,714 S 12/1997 Heinen

- D407,677 S * 4/1999 Ratliff, Jr. D12/546
- D420,955 S * 2/2000 Ratliff, Jr. D12/555
- D451,856 S * 12/2001 Graas D12/567

OTHER PUBLICATIONS

Falken HS-435 Tire, 2000 Tread Design Guide, Jan. 2000, p. 29. 2/4.*

Goodyear Eagle Ultra Grip GW-2 Tire, 2000 Tread Design Guide, Jan. 2000, p. 34. 2/5.*

Kumho Power Grip 749 & 749P Tires, 2000 Tread Design Guide, Jan. 2000, p. 42. 2/4 & 3/3.*

* cited by examiner

Primary Examiner—Robert M. Spear

(74) *Attorney, Agent, or Firm*—Baker Botts LLP

(57) **CLAIM**

The ornamental design for a tread of a tire, as shown and described.

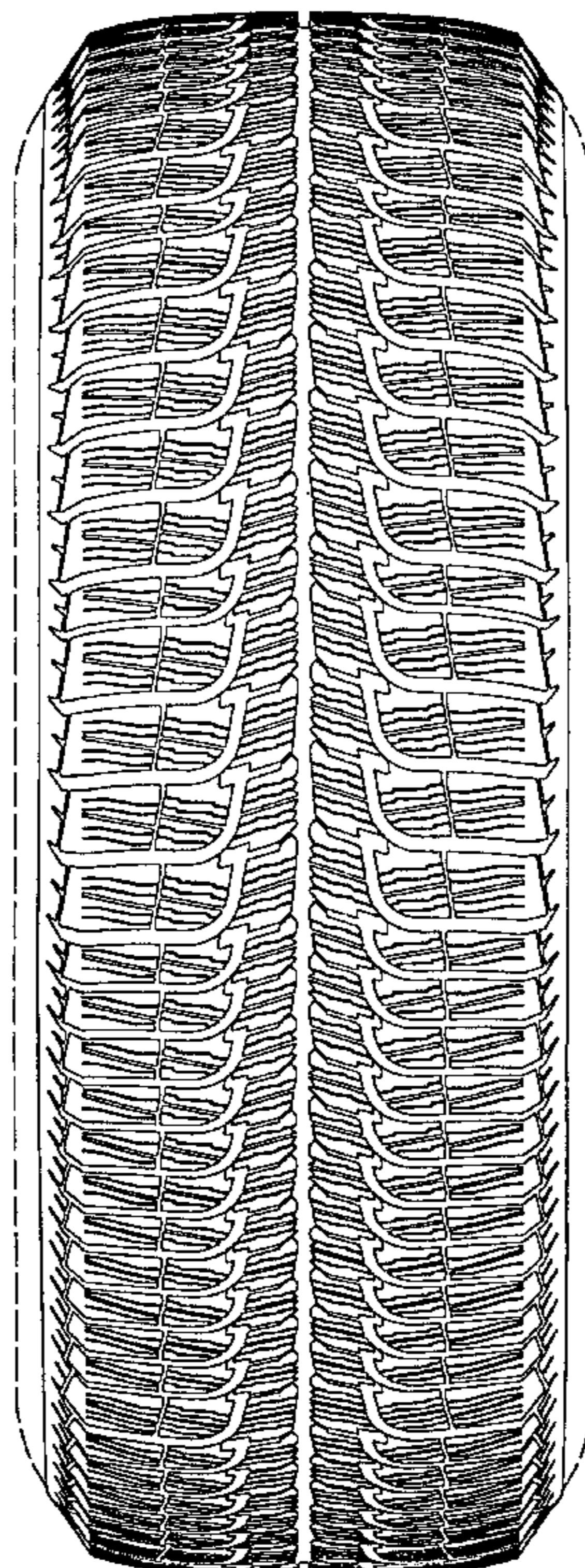
DESCRIPTION

FIG. 1 is a perspective view of the tread of a tire of the present invention, it being understood that the pattern is repeated uniformly throughout the circumference of the tread; and,

FIG. 2 is a front elevational view of the tire tread shown in FIG. 1.

The broken lines showing the tire inner beads and sidewalls in FIGS. 1 and 2 are for illustrative purposes only and form no part of the claimed design.

1 Claim, 2 Drawing Sheets



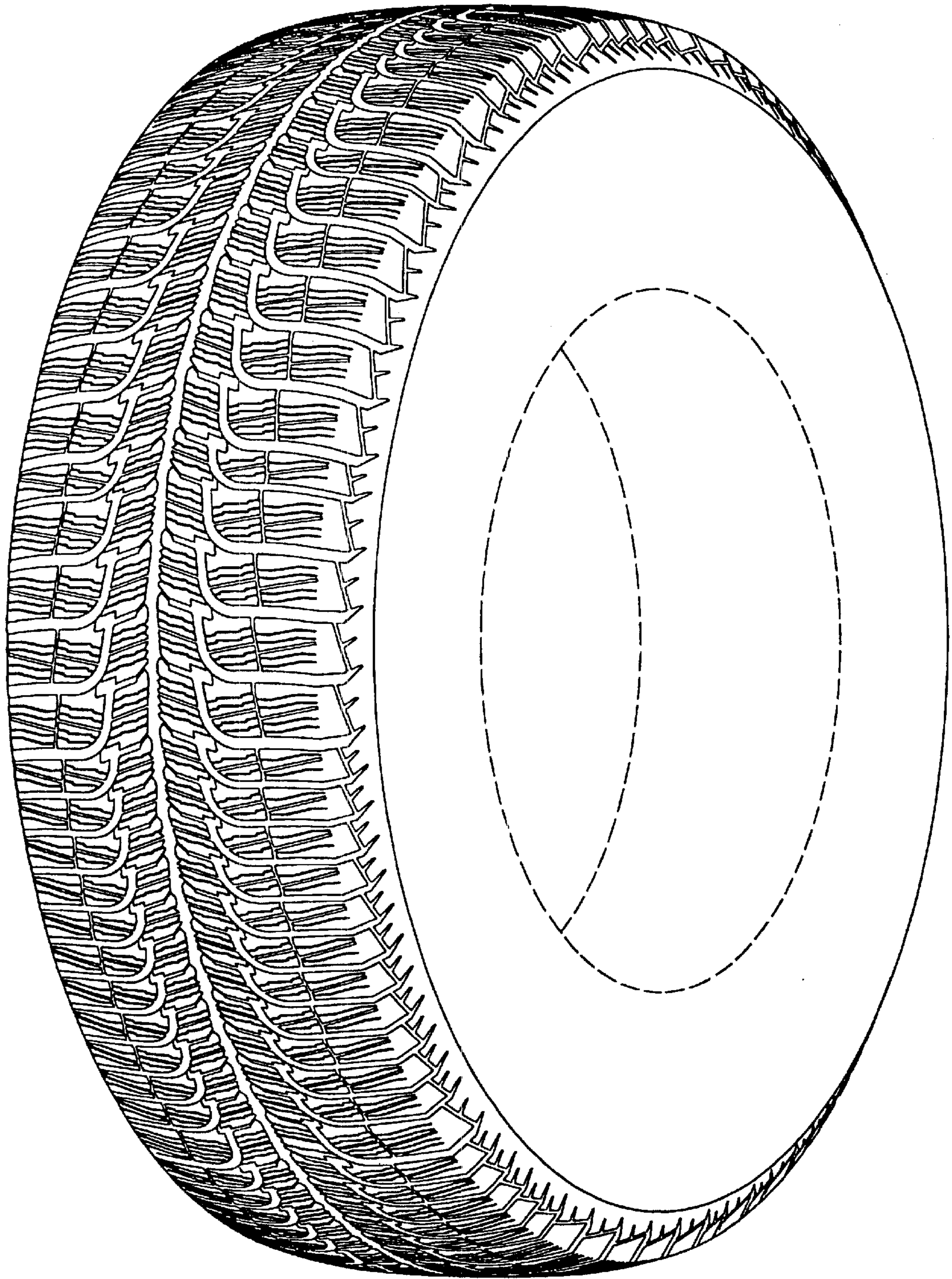


FIG. 1

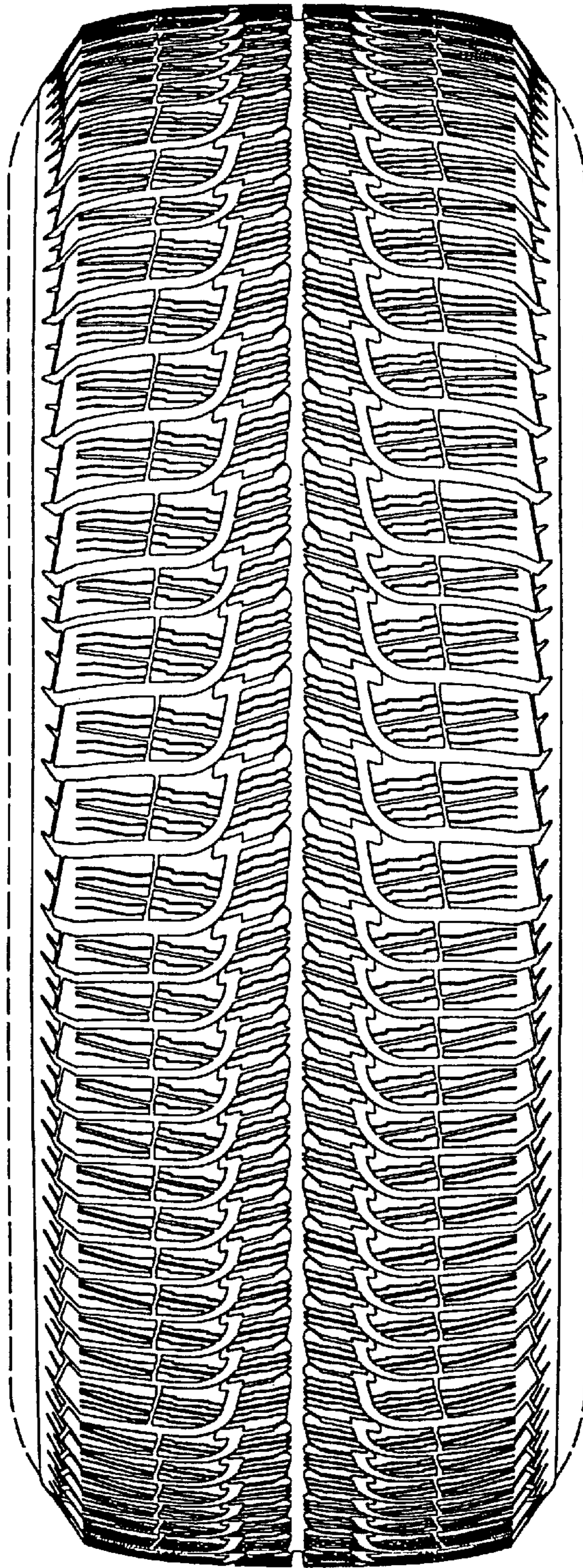


FIG. 2