



US00D464309S

(12) **United States Design Patent**  
**McCoy et al.**

(10) **Patent No.:** **US D464,309 S**

(45) **Date of Patent:** **\*\* Oct. 15, 2002**

(54) **MOUNTING BRACKET**

D397,667 S \* 9/1998 White ..... D8/349  
D402,185 S \* 12/1998 Heiligenatern et al. .... D8/349

(75) Inventors: **Richard W. McCoy**, Granger, IN (US);  
**Thomas W. Lindenman**, South Bend,  
IN (US)

\* cited by examiner

*Primary Examiner*—Melody N. Brown

(73) Assignee: **Reese Products, Inc.**, Elkhart, IN (US)

(74) *Attorney, Agent, or Firm*—King & Schickli, PLLC

(\*\*) Term: **14 Years**

(57) **CLAIM**

(21) Appl. No.: **29/149,118**

The ornamental design of a mounting bracket, as shown and described.

(22) Filed: **Oct. 3, 2001**

**DESCRIPTION**

(51) **LOC (7) Cl.** ..... **12-06**

FIG. 1 is a perspective view of the mounting bracket of the present invention;

(52) **U.S. Cl.** ..... **D12/223; D8/349**

FIG. 2 is a right side elevational view thereof, the left side elevational view being a substantial mirror image thereof;

(58) **Field of Search** ..... D12/223, 114;

D8/349, 354, 363, 366, 373; 248/27.1,  
229, 214, 300, 121; 280/507-511

FIG. 3 is a rear elevational view thereof;

FIG. 4 is a front elevational view thereof;

FIG. 5 is a top plan view thereof; and,

FIG. 6 is a bottom plan view thereof.

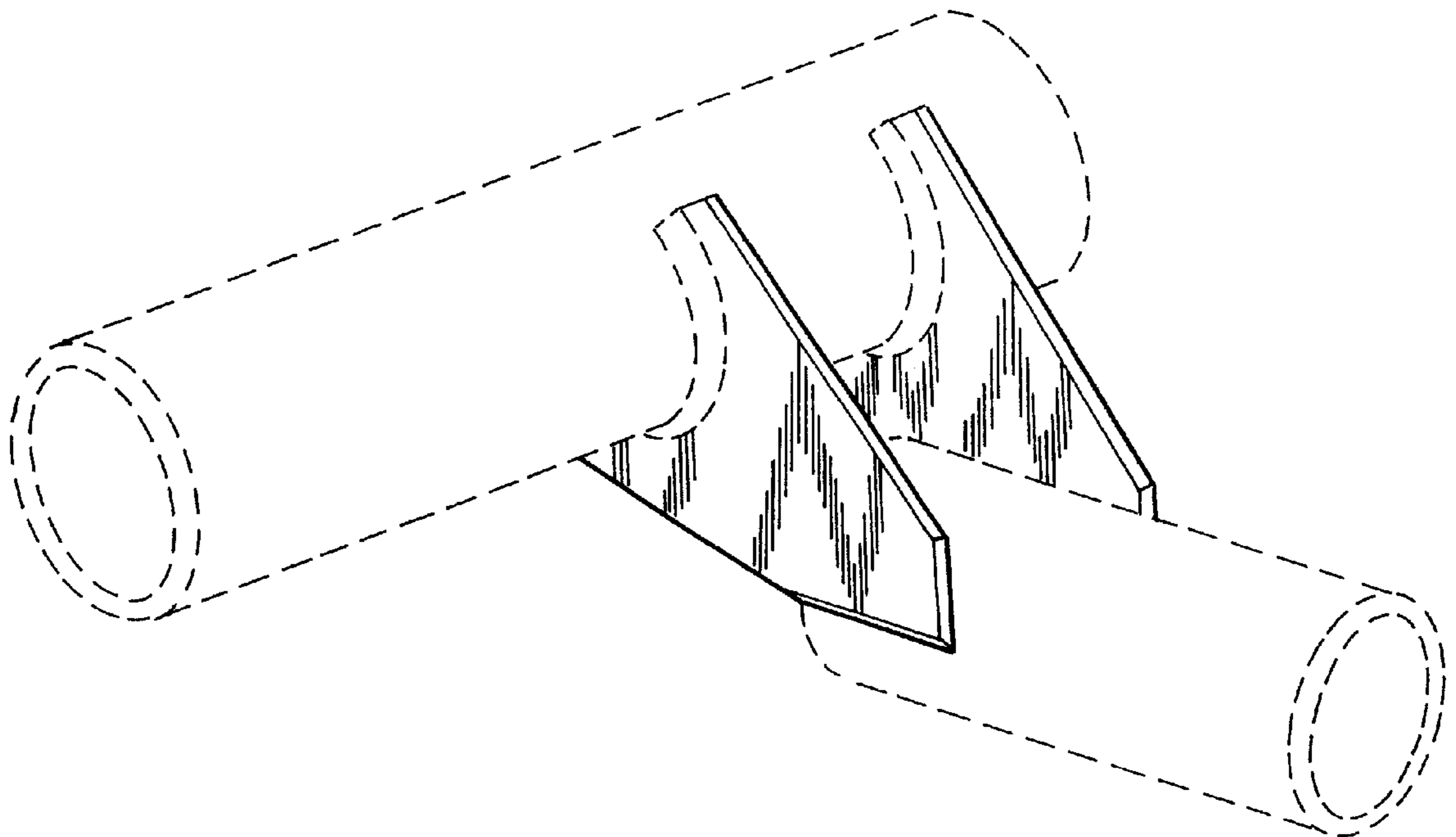
(56) **References Cited**

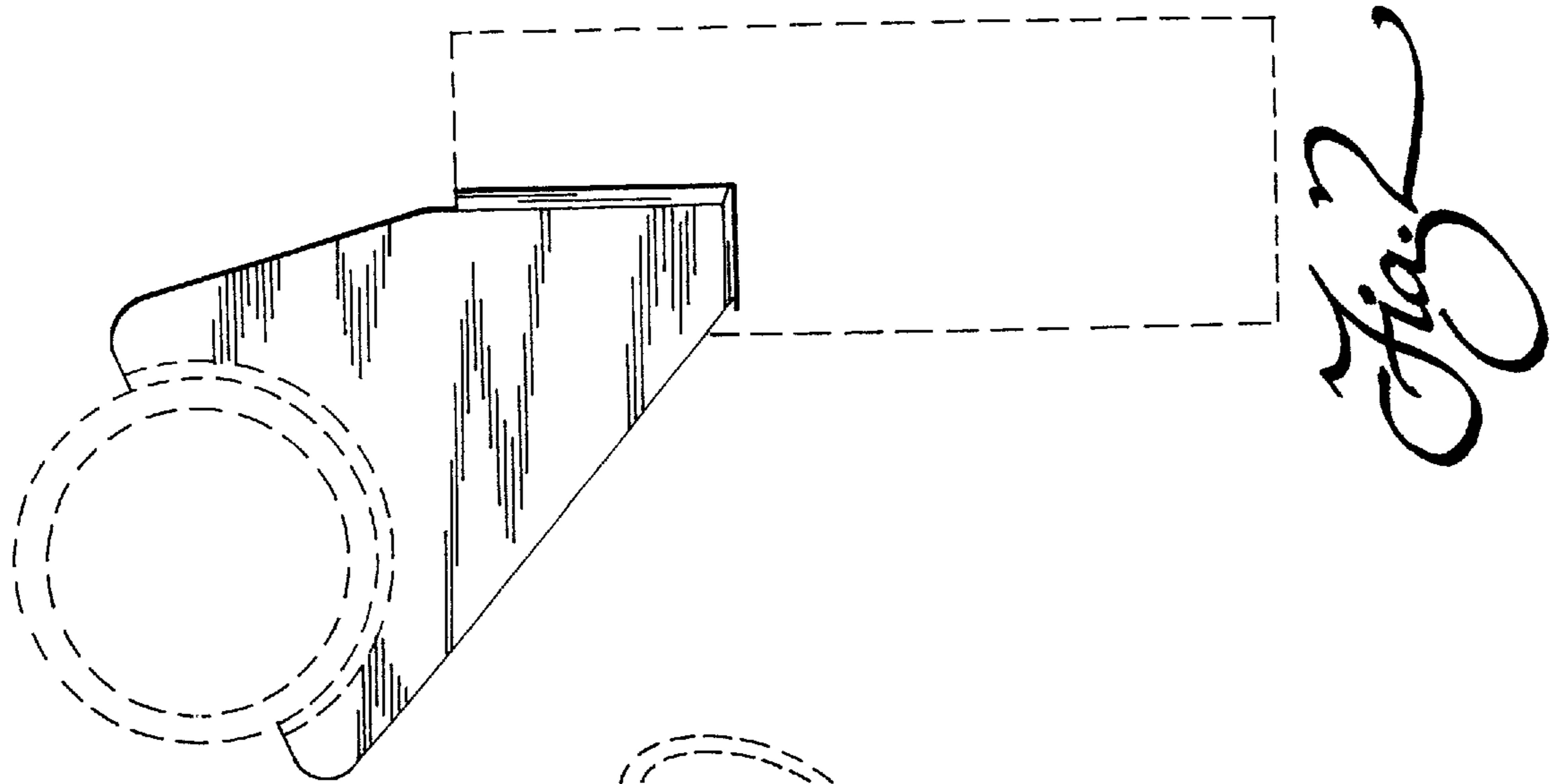
**U.S. PATENT DOCUMENTS**

3,948,595 A \* 4/1976 Raabe et al. .... 248/121  
4,142,703 A \* 3/1979 Moretto ..... 248/214  
5,620,198 A 4/1997 Borchers

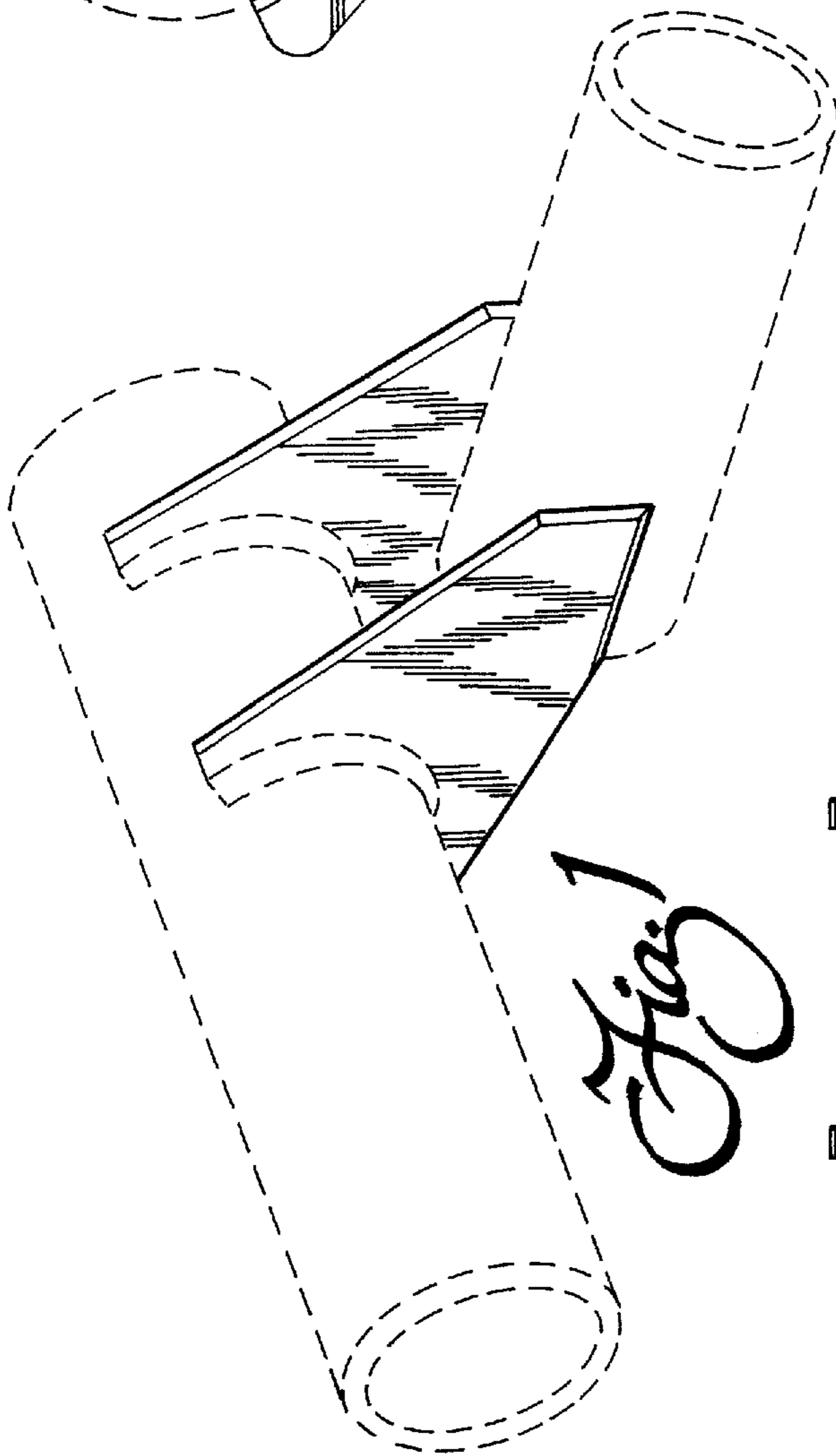
The broken lines shown in all drawing views are for illustrative purposes only and form no part of the claimed design.

**1 Claim, 2 Drawing Sheets**

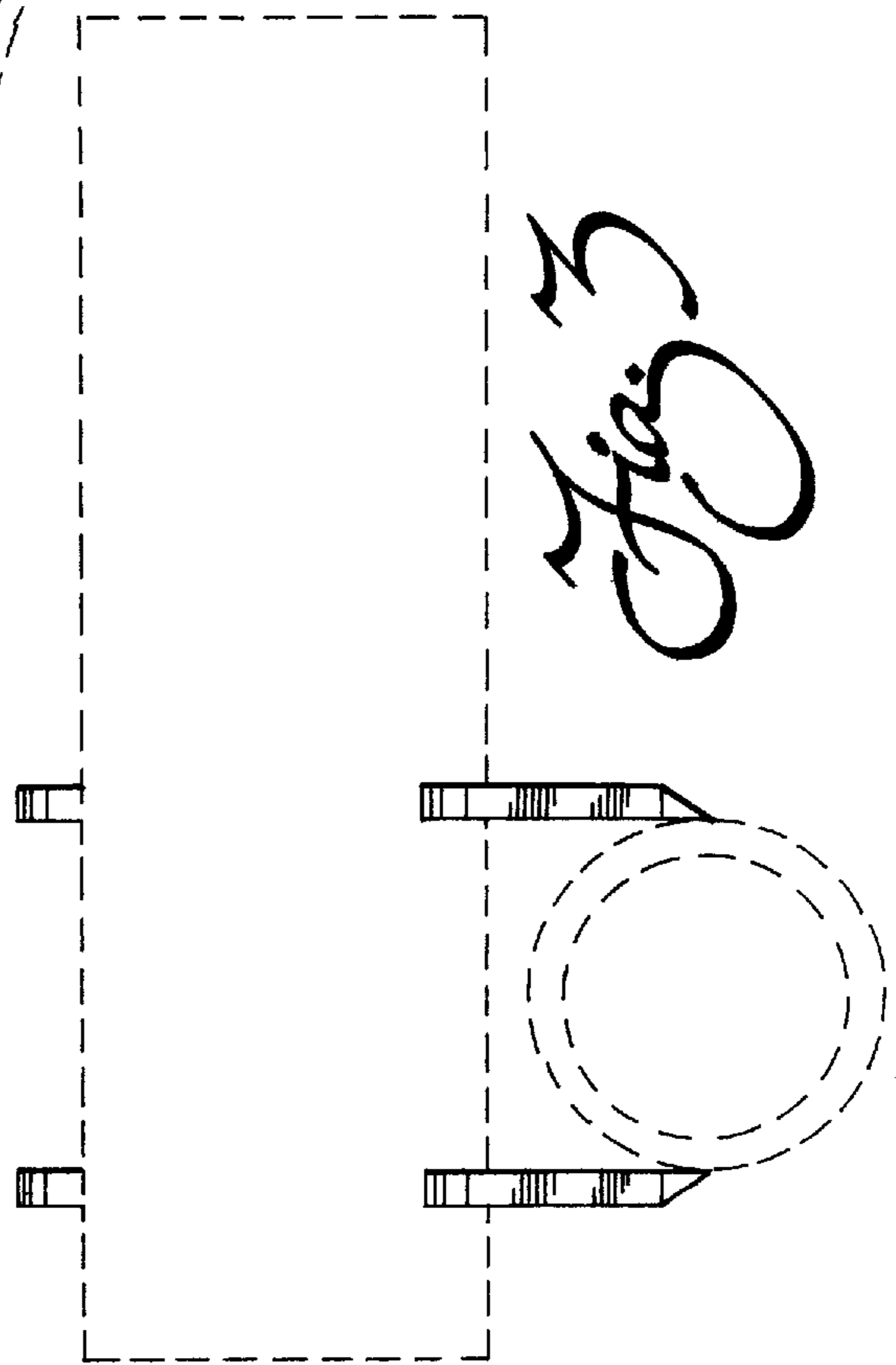




*Fig. 2*



*Fig. 1*



*Fig. 3*

