



US00D464307S

(12) **United States Design Patent**
Chung

(10) **Patent No.:** **US D464,307 S**

(45) **Date of Patent:** **** Oct. 15, 2002**

(54) **VEHICLE WHEEL**

(76) Inventor: **Suny Chung**, 4682 Warner Ave. Apt.
213, Huntington Beach, CA (US) 92649

(**) Term: **14 Years**

(21) Appl. No.: **29/154,456**

(22) Filed: **Jan. 23, 2002**

(51) **LOC (7) Cl.** **12-16**

(52) **U.S. Cl.** **D12/209**

(58) **Field of Search** **D12/204-211;**
301/37.1, 64.1, 65

D438,159 S	*	2/2001	Kuacher	D12/209
D442,535 S	*	5/2001	Lotson	D12/209
D444,758 S	*	7/2001	Mendez	D12/211
D445,390 S	*	7/2001	Wartono	D12/209
D448,336 S	*	9/2001	Mendez	D12/209
D453,725 S	*	2/2002	Brown et al.	D12/209

* cited by examiner

Primary Examiner—Stacia Cadmus

(74) *Attorney, Agent, or Firm*—Marcia Devon

(57) **CLAIM**

The ornamental design for a vehicle wheel, as shown and described.

DESCRIPTION

FIG. 1 is a perspective view of vehicle wheel showing my new design;

FIG. 2 is a reduced front view thereof; and,

FIG. 3 is a reduced side view thereof, it being understood that the opposite side is a mirror image thereof.

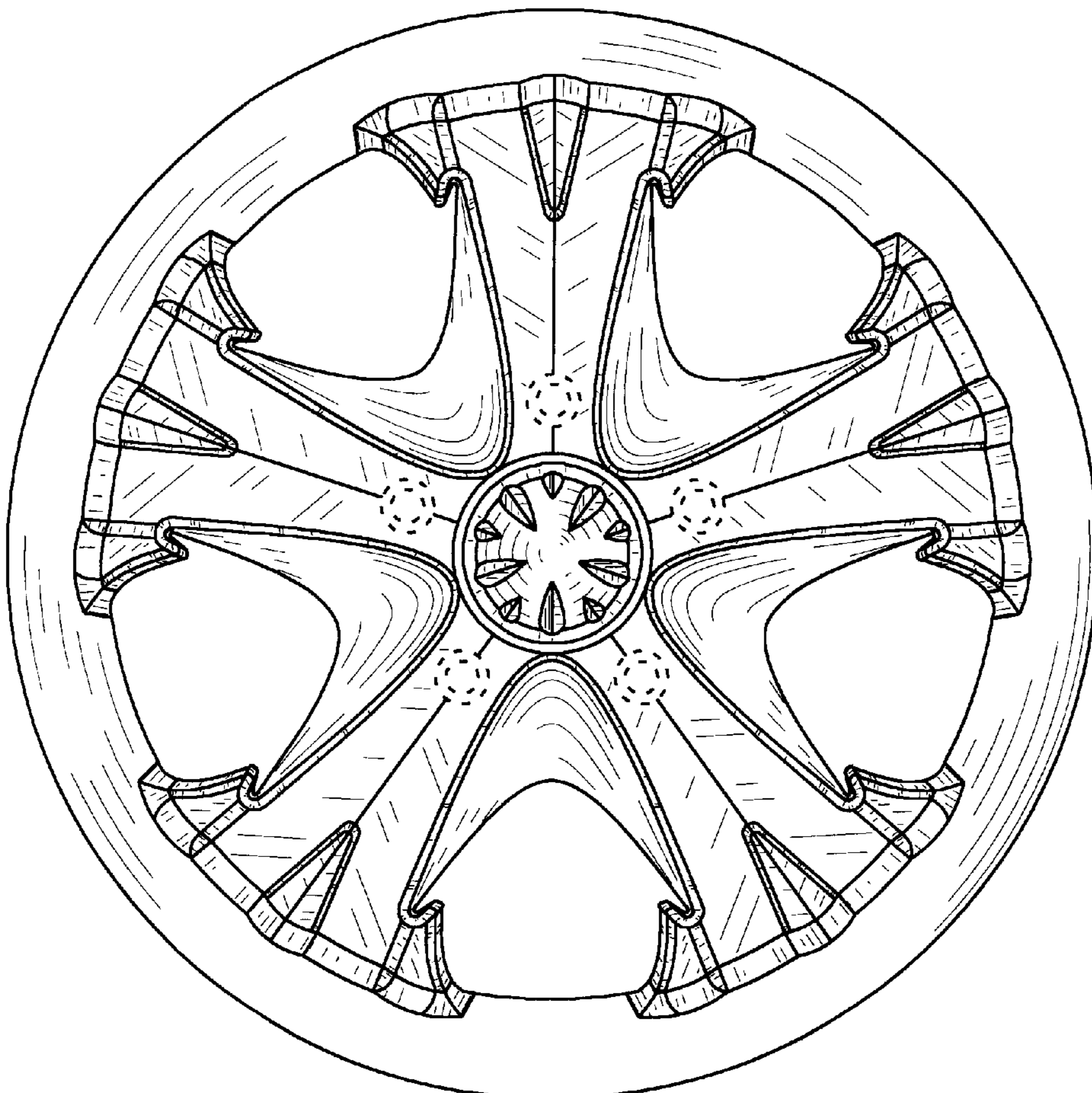
The broken line showing of environment is for illustrative purposes only and forms no part of the claimed design.

1 Claim, 2 Drawing Sheets

(56) **References Cited**

U.S. PATENT DOCUMENTS

D431,515 S	*	10/2000	Donikoglu	D12/209
D431,516 S	*	10/2000	Kaucher	D12/209
D431,517 S	*	10/2000	Donikoglu	D12/209
D433,371 S	*	11/2000	Donikoglu	D12/209
D436,070 S	*	1/2001	Lee	D12/209
D436,340 S	*	1/2001	Kaucher	D12/209
D437,276 S	*	2/2001	Hodges	D12/209
D438,158 S	*	2/2001	Fitzgerald	D12/209



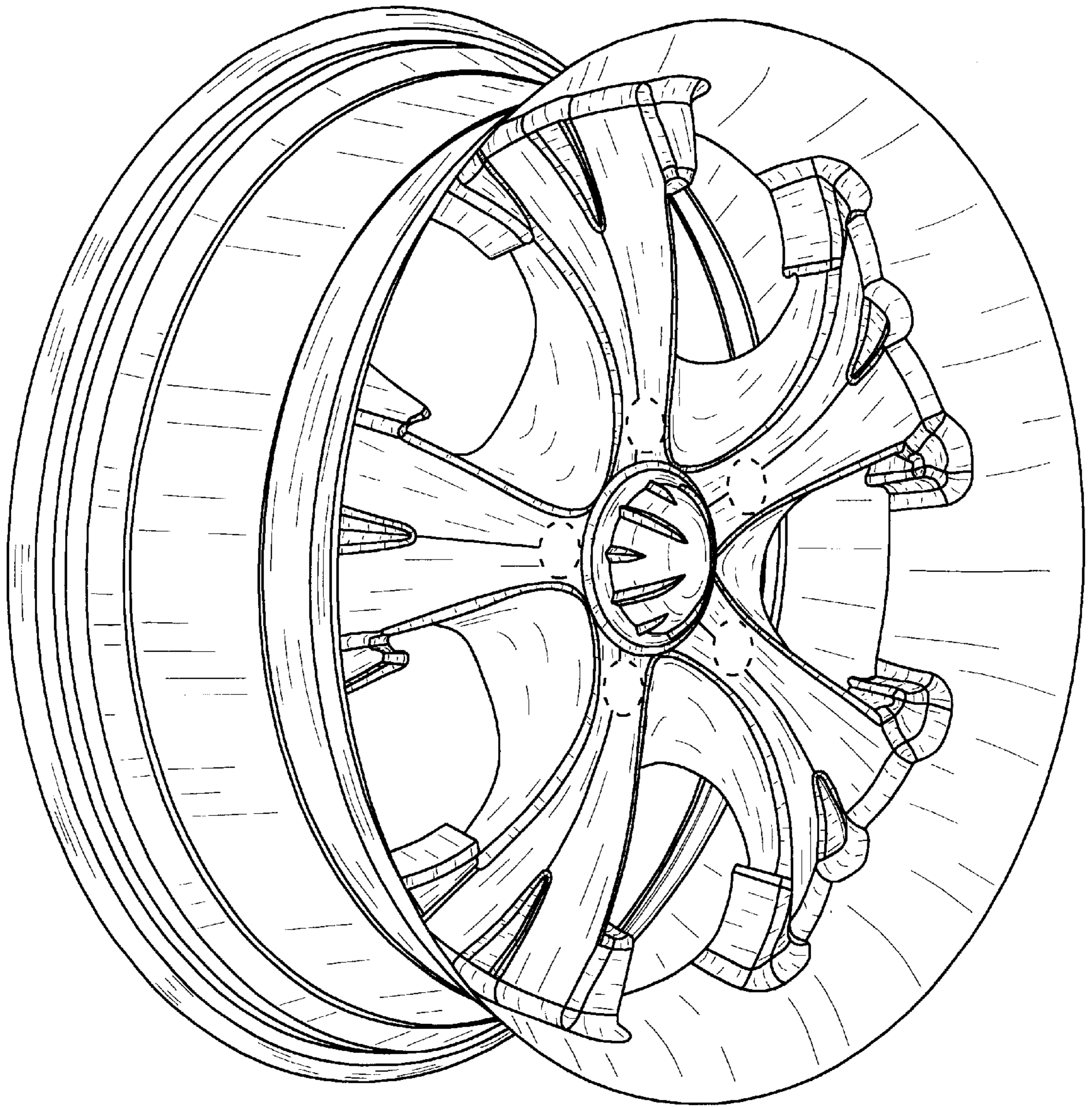


Fig. 1

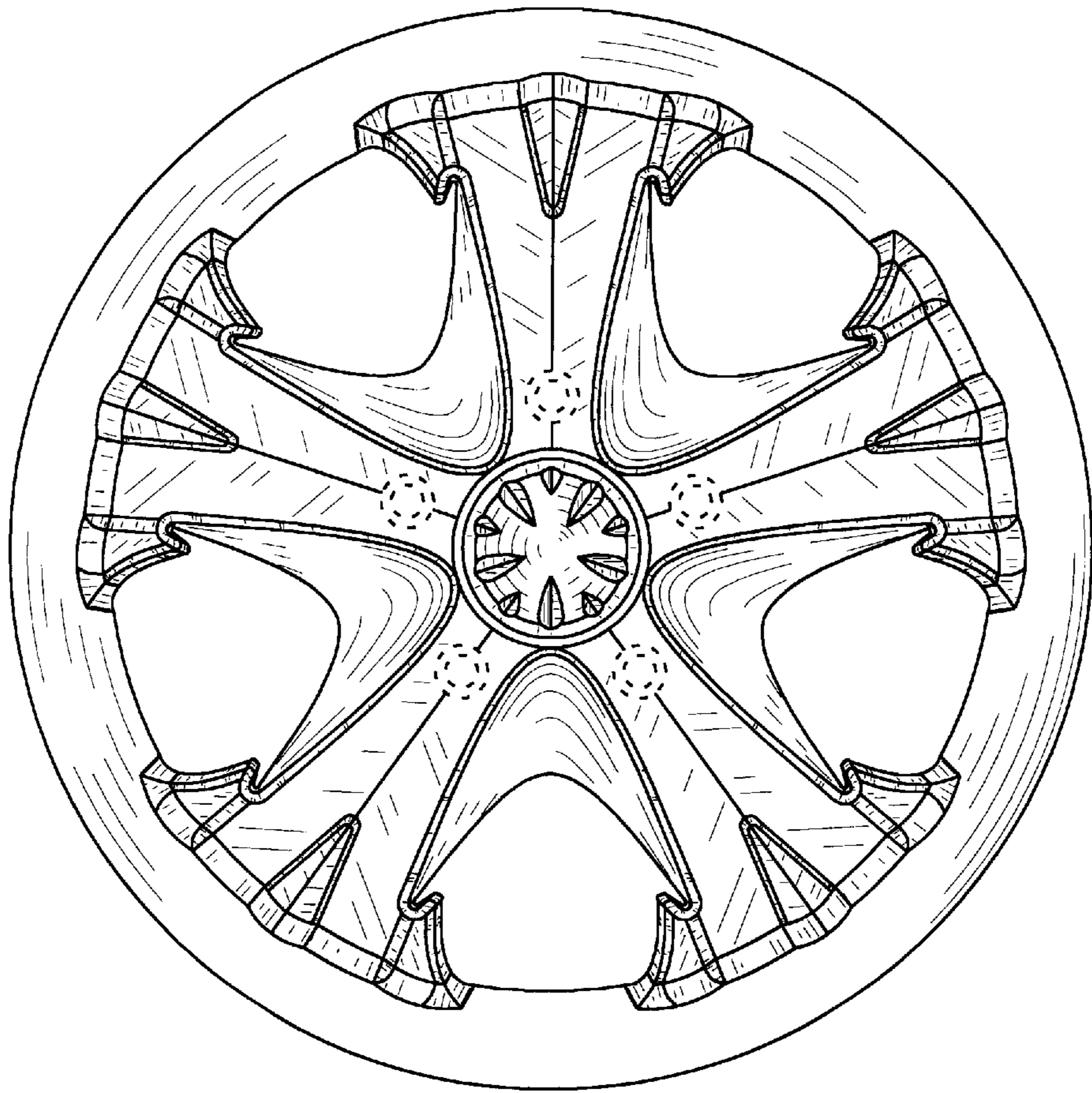


Fig. 2

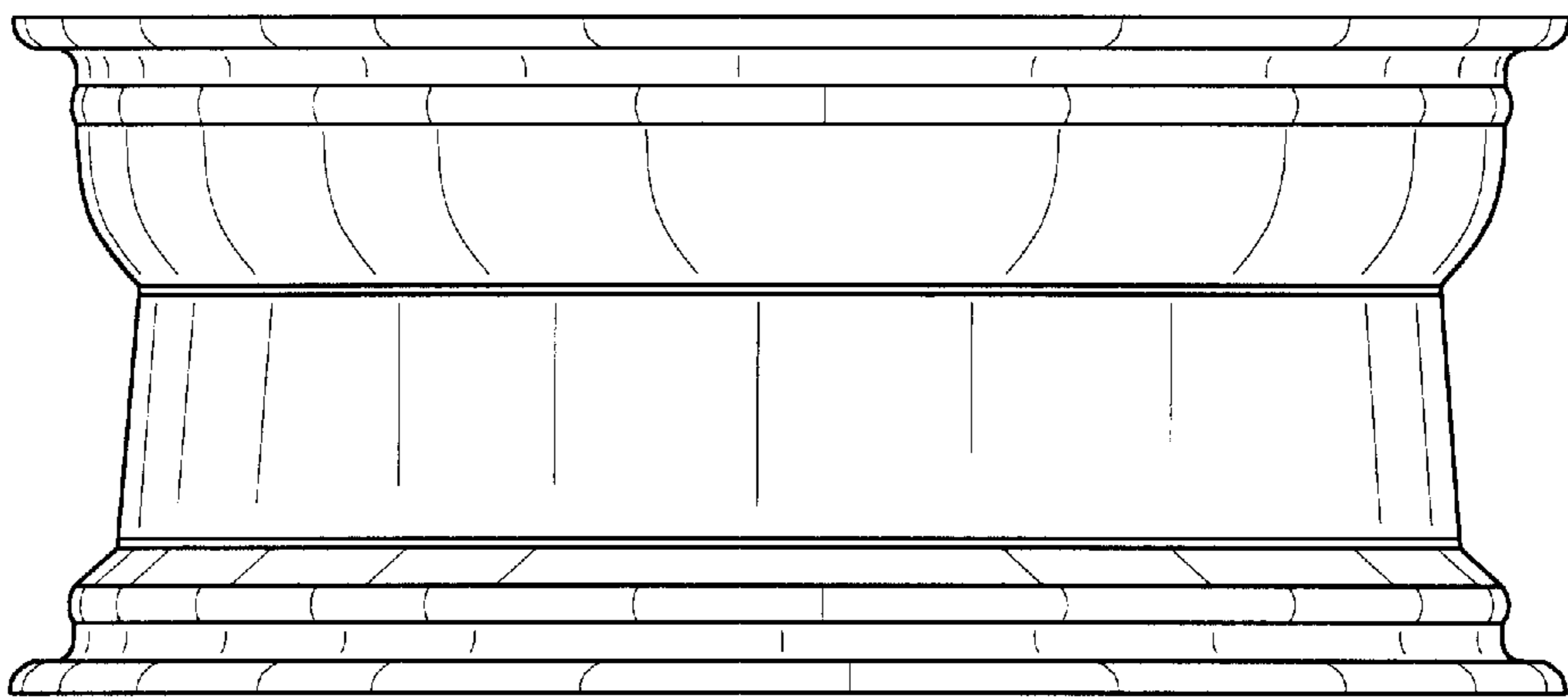


Fig. 3