



US00D464306S

(12) **United States Design Patent**
Chung

(10) **Patent No.:** **US D464,306 S**

(45) **Date of Patent:** **** Oct. 15, 2002**

(54) **VEHICLE WHEEL**

(76) Inventor: **Suny Chung**, 4682 Warner Ave. Apt.
213, Huntington Beach, CA (US) 92649

(**) Term: **14 Years**

(21) Appl. No.: **29/154,455**

(22) Filed: **Jan. 23, 2002**

(51) **LOC (7) Cl.** **12-16**

(52) **U.S. Cl.** **D12/209**

(58) **Field of Search** **D12/204-211;**
301/37.1, 64.1, 65

(56) **References Cited**

U.S. PATENT DOCUMENTS

D235,252 S	*	6/1975	May	D12/211
D407,055 S	*	3/1999	Kelley	D12/209
D416,533 S	*	11/1999	Sulahian	D12/211
D430,095 S	*	8/2000	Lotson	D12/211
D430,527 S	*	9/2000	Noriega	D12/211
D432,972 S	*	10/2000	Chung	D12/209
D435,822 S	*	1/2001	Neeper	D12/209

D435,823 S	*	1/2001	Fitzgerald	D12/211
D438,161 S	*	2/2001	Ong	D12/209
D438,834 S	*	3/2001	Ong	D12/211
D444,439 S	*	7/2001	Cullen	D12/211
D445,392 S	*	7/2001	Chung	D12/211
D445,752 S	*	7/2001	Lee	D12/211
D451,462 S	*	12/2001	Donikoglu	D12/209

* cited by examiner

Primary Examiner—Stacia Cadmus

(74) *Attorney, Agent, or Firm*—Marcia Devon

(57) **CLAIM**

The ornamental design for a vehicle wheel, as shown and described.

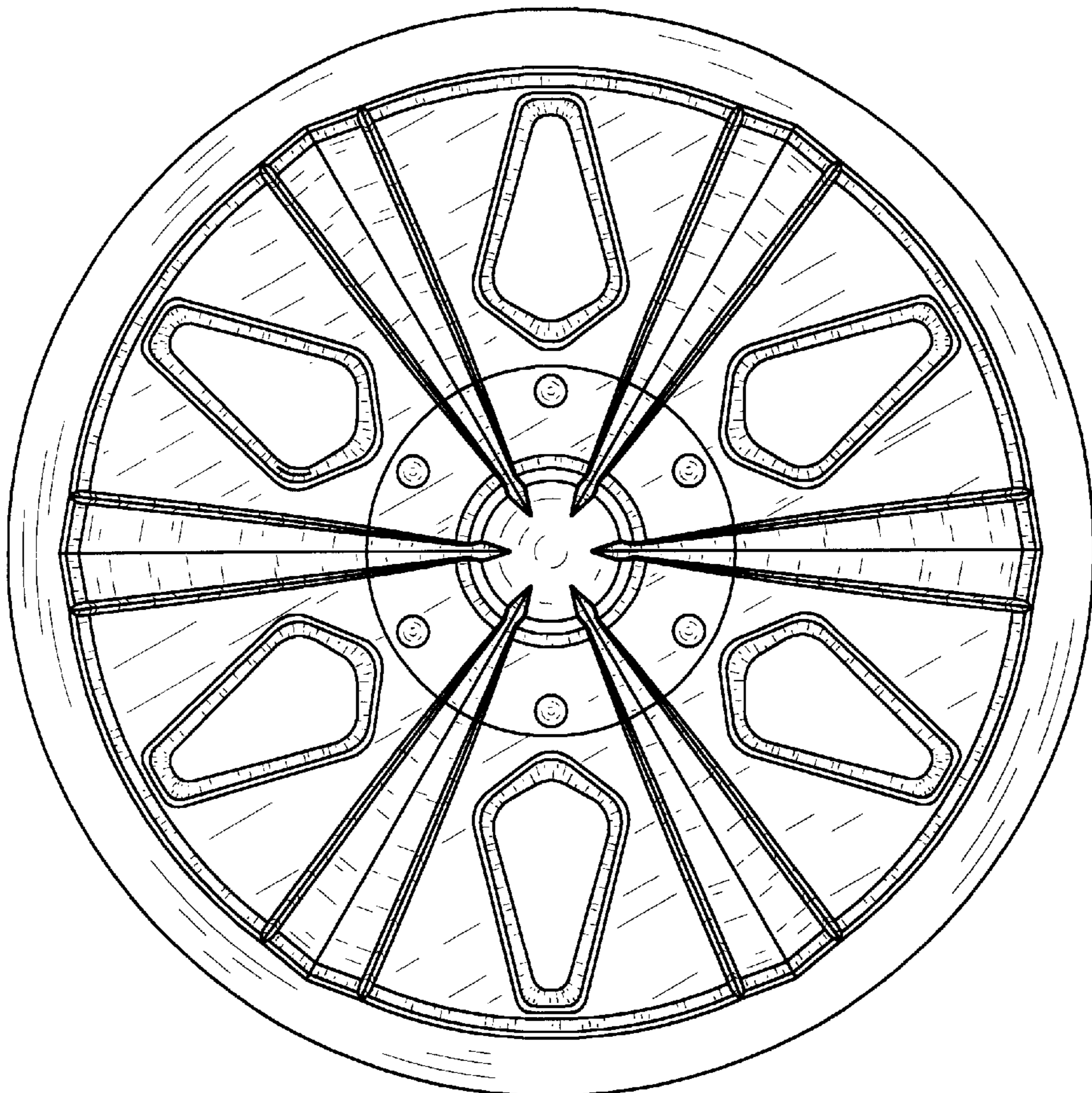
DESCRIPTION

FIG. 1 is a perspective view of vehicle wheel showing my new design;

FIG. 2 is a reduced front view thereof; and,

FIG. 3 is a reduced side view thereof, it being understood that the opposite side is a mirror image thereof.

1 Claim, 2 Drawing Sheets



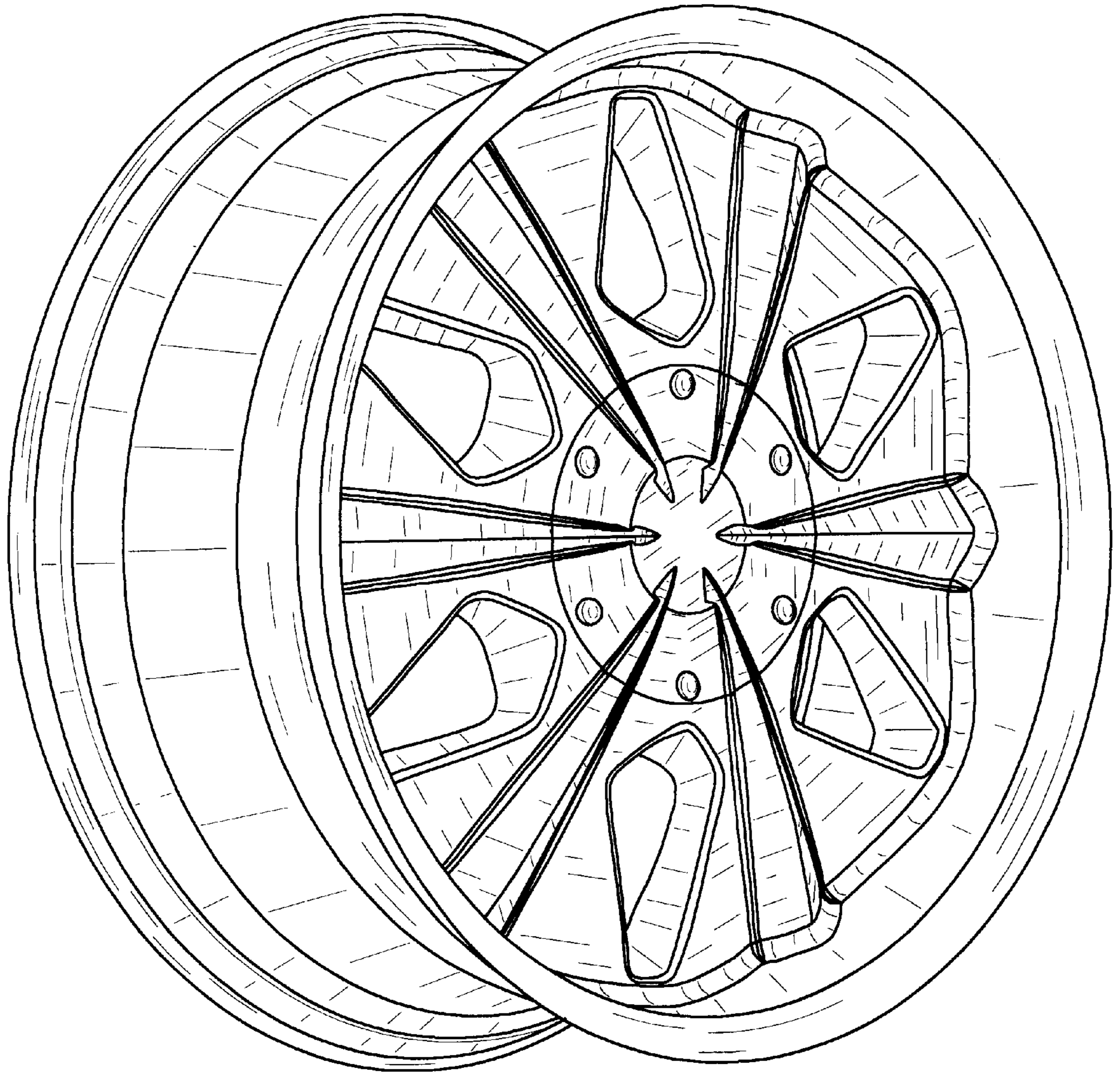


FIG. 1

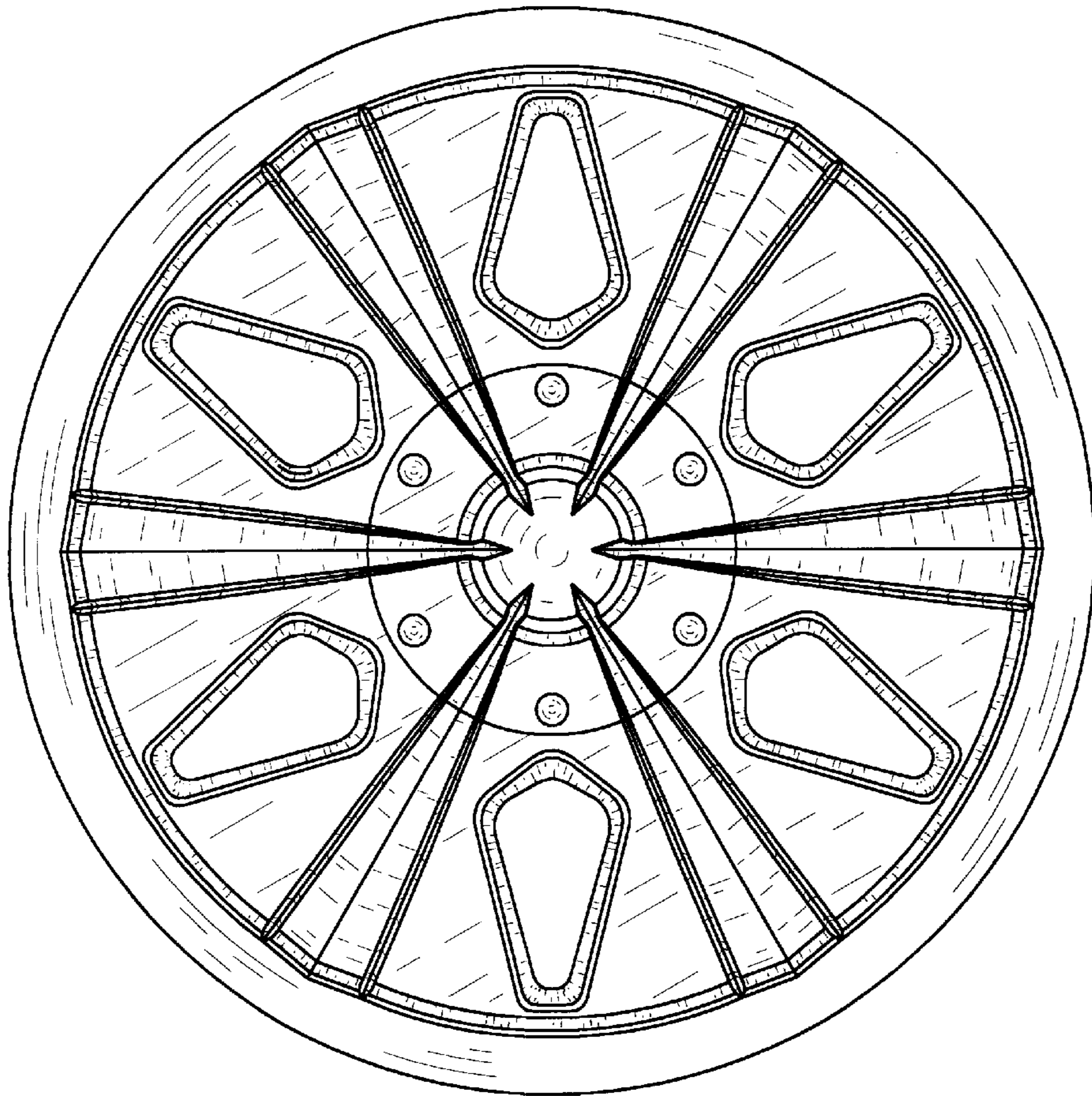


FIG. 2

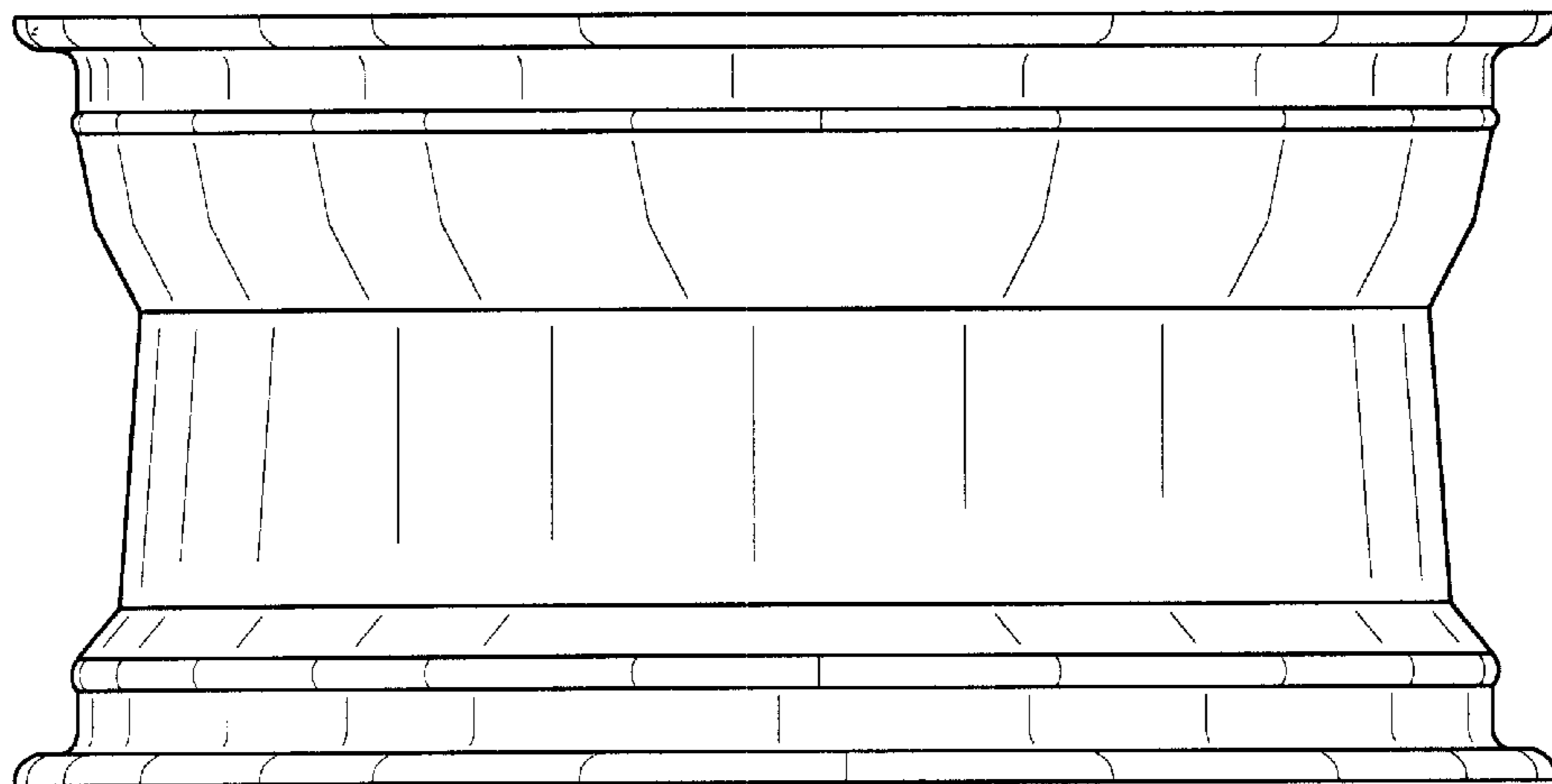


FIG. 3