



US00D464304S

(12) **United States Design Patent**  
**Wright**

(10) **Patent No.:** **US D464,304 S**

(45) **Date of Patent:** **\*\* Oct. 15, 2002**

(54) **TRACTION PAD**

(76) **Inventor:** **James H. Wright**, 1019 SW. 12<sup>th</sup> St.,  
Forest Lake, MN (US) 55025

(\*\*) **Term:** **14 Years**

(21) **Appl. No.:** **29/153,420**

(22) **Filed:** **Jan. 9, 2002**

(51) **LOC (7) Cl.** ..... **12-16**

(52) **U.S. Cl.** ..... **D12/203**

(58) **Field of Search** ..... D12/400, 203,  
D12/217, 114; D6/582-588, 592, 596, 601;  
238/14; 180/9.1-9.62, 313, 7.1; 296/97.23;  
152/208; 404/35; 15/238-239, 215-217

(56) **References Cited**

**U.S. PATENT DOCUMENTS**

D196,773 S	*	10/1963	Carter	.....	D12/203
D200,688 S	*	3/1965	Miles	.....	D12/203
3,836,075 A	*	9/1974	Botbol	.....	238/14
4,210,280 A	*	7/1980	Reisner	.....	238/14
4,223,835 A	*	9/1980	Witt et al.	.....	238/14
4,650,115 A	*	3/1987	Fontaine	.....	238/14
4,840,309 A	*	6/1989	Teresi	.....	238/14
4,998,670 A	*	3/1991	Peterson	.....	238/14

5,439,171 A	*	8/1995	Fruend	.....	238/14
D366,443 S	*	1/1996	Bach et al.	.....	D12/217
5,538,183 A	*	7/1996	McGee	.....	238/14
5,899,380 A	*	5/1999	Beaulieu	.....	238/14
D423,440 S	*	4/2000	Sneed	.....	D12/203
D433,660 S	*	11/2000	Hough	.....	D12/217
D450,645 S	*	11/2001	Love	.....	D12/203

\* cited by examiner

*Primary Examiner*—Stacia Cadmus

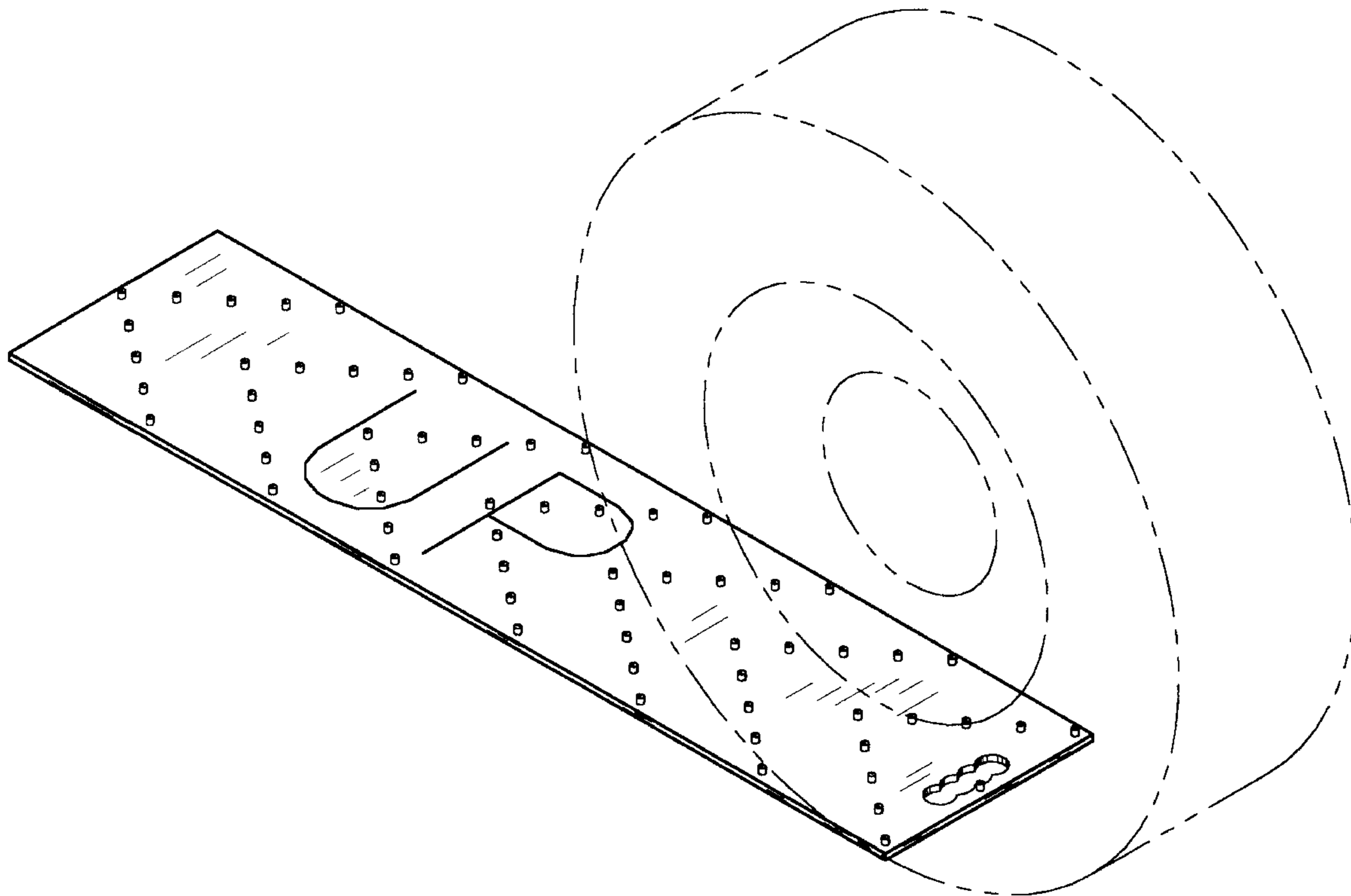
(57) **CLAIM**

The ornamental design for a traction pad, as shown and described.

**DESCRIPTION**

FIG. 1 is a top view of a traction pad showing my new design;  
FIG. 2 is a bottom view of the traction pad;  
FIG. 3 is a side edge view of the traction pad;  
FIG. 4 is an end edge view of the traction pad; and,  
FIG. 5 is a perspective view of the traction pad.  
The broken line showing of environment is for illustrative purposes only and forms no part of the claimed design.

**1 Claim, 3 Drawing Sheets**



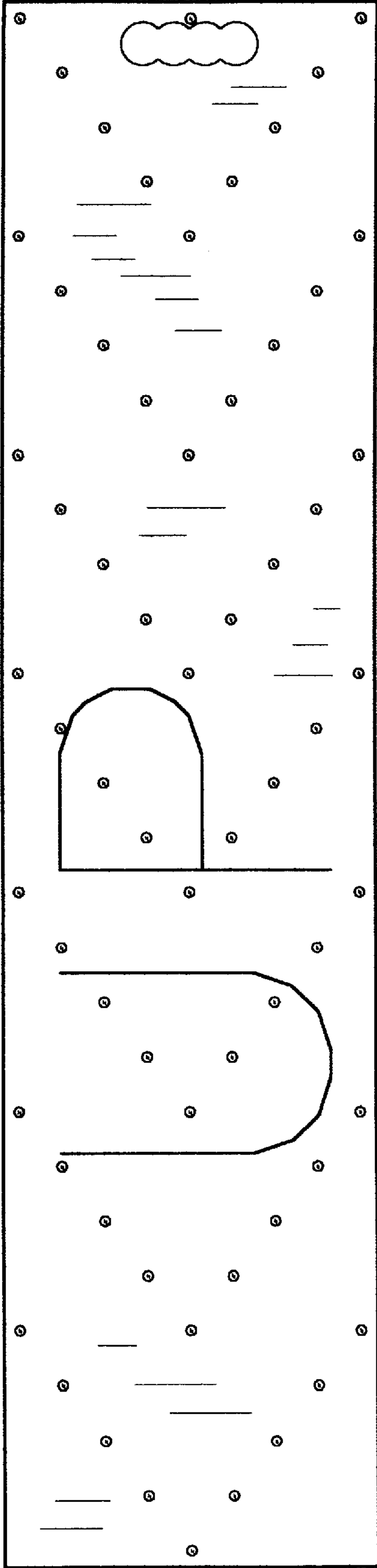


FIG. 1

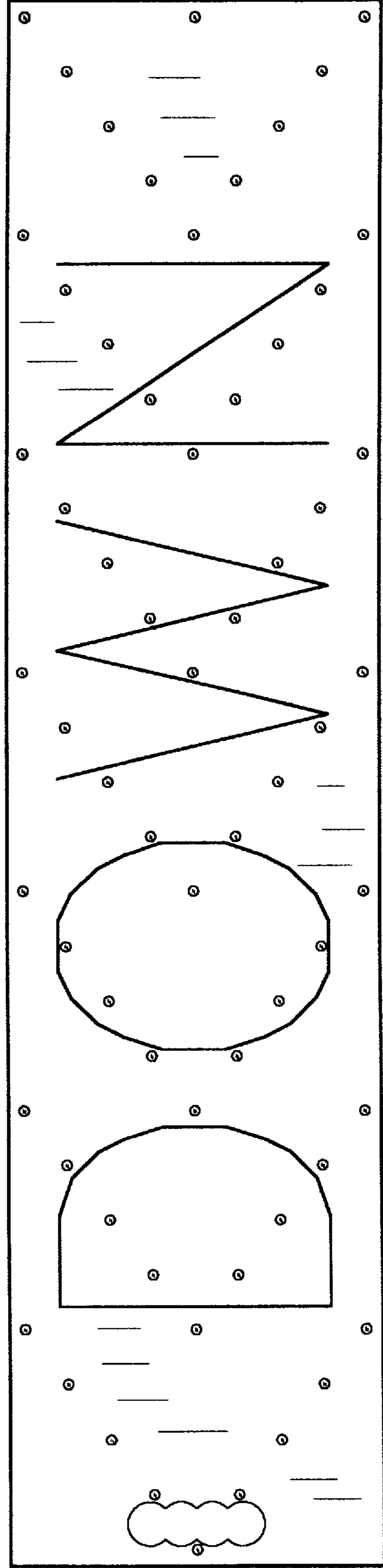


FIG. 2



FIG. 3

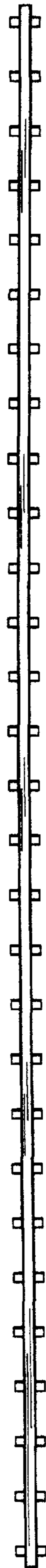


FIG. 4

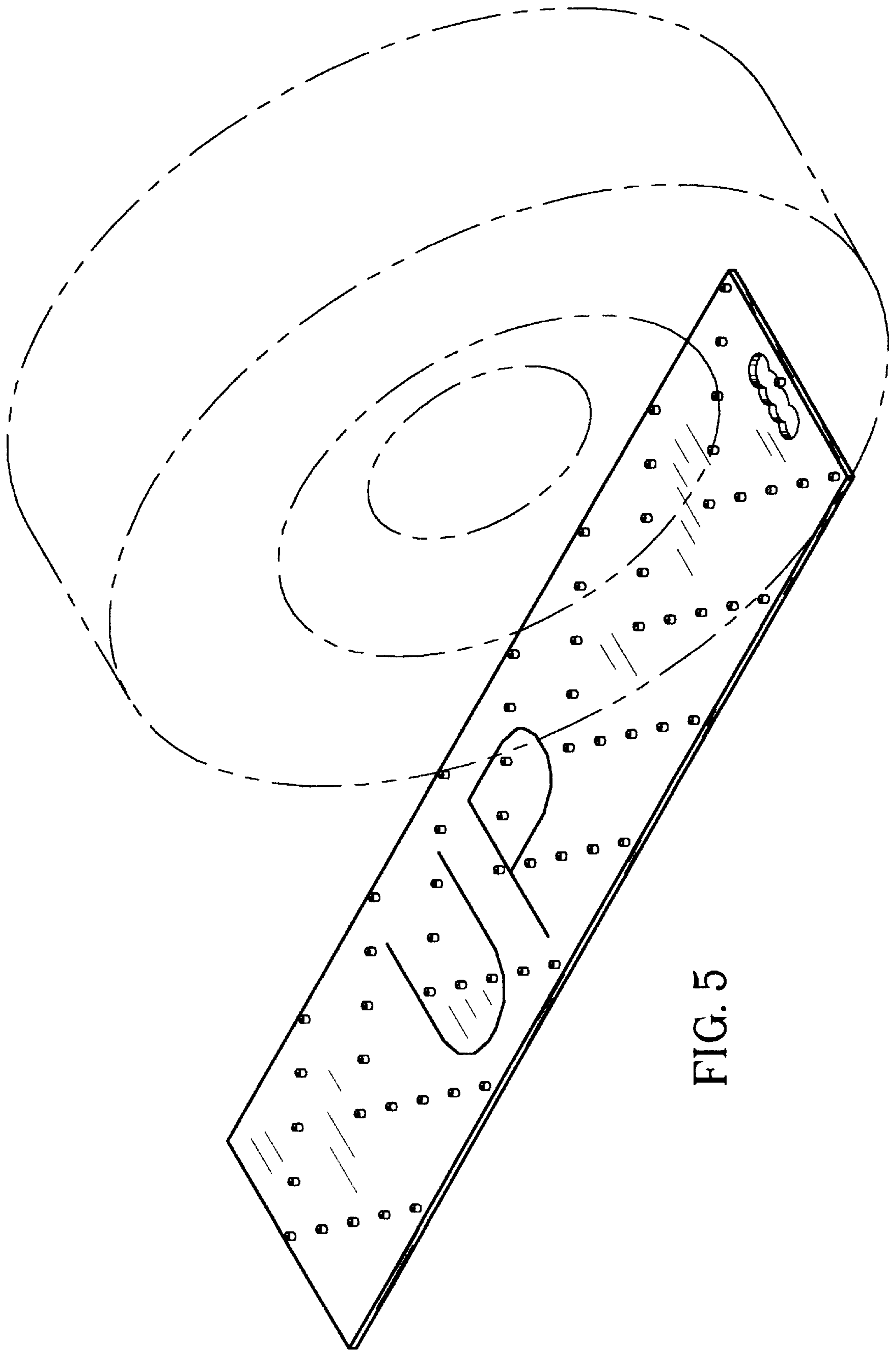


FIG. 5