



US00D464298S

(12) **United States Design Patent**  
**Bartholomäi et al.**

(10) **Patent No.:** **US D464,298 S**

(45) **Date of Patent:** **\*\* Oct. 15, 2002**

(54) **STEERING WHEEL**

(75) Inventors: **Gunther Bartholomäi**,  
Villiengen-Schwenningen (DE);  
**Gert-Dieter Tuzar**, Obereschach (DE)

(73) Assignee: **Mannesmann VDO AG**, Frankfurt  
(DE)

(\*\*) Term: **14 Years**

(21) Appl. No.: **29/100,428**

(22) Filed: **Feb. 11, 1999**

(30) **Foreign Application Priority Data**

Aug. 12, 1998 (DE) ..... 498 08 056

(51) **LOC (7) Cl.** ..... **12-16**

(52) **U.S. Cl.** ..... **D12/176**

(58) **Field of Search** ..... D12/175, 176;  
74/552, 558

(56) **References Cited**

**U.S. PATENT DOCUMENTS**

D301,330 S \* 5/1989 Langenbeck et al. .... D12/176

D306,715 S \* 3/1990 Vian ..... D12/176

D326,253 S \* 5/1992 Fietze ..... D12/176

D406,805 S \* 3/1999 Sacco et al. .... D12/176

D420,963 S \* 2/2000 Conterno ..... D12/176

\* cited by examiner

*Primary Examiner*—Melody N. Brown

(74) *Attorney, Agent, or Firm*—Sidley Austin Brown &  
Wood, LLP

(57) **CLAIM**

An ornamental design of a steering wheel, as shown and described.

**DESCRIPTION**

FIG. 1 is a perspective front view of a steering wheel according to our new design;

FIG. 2 is a perspective rear view of the steering wheel;

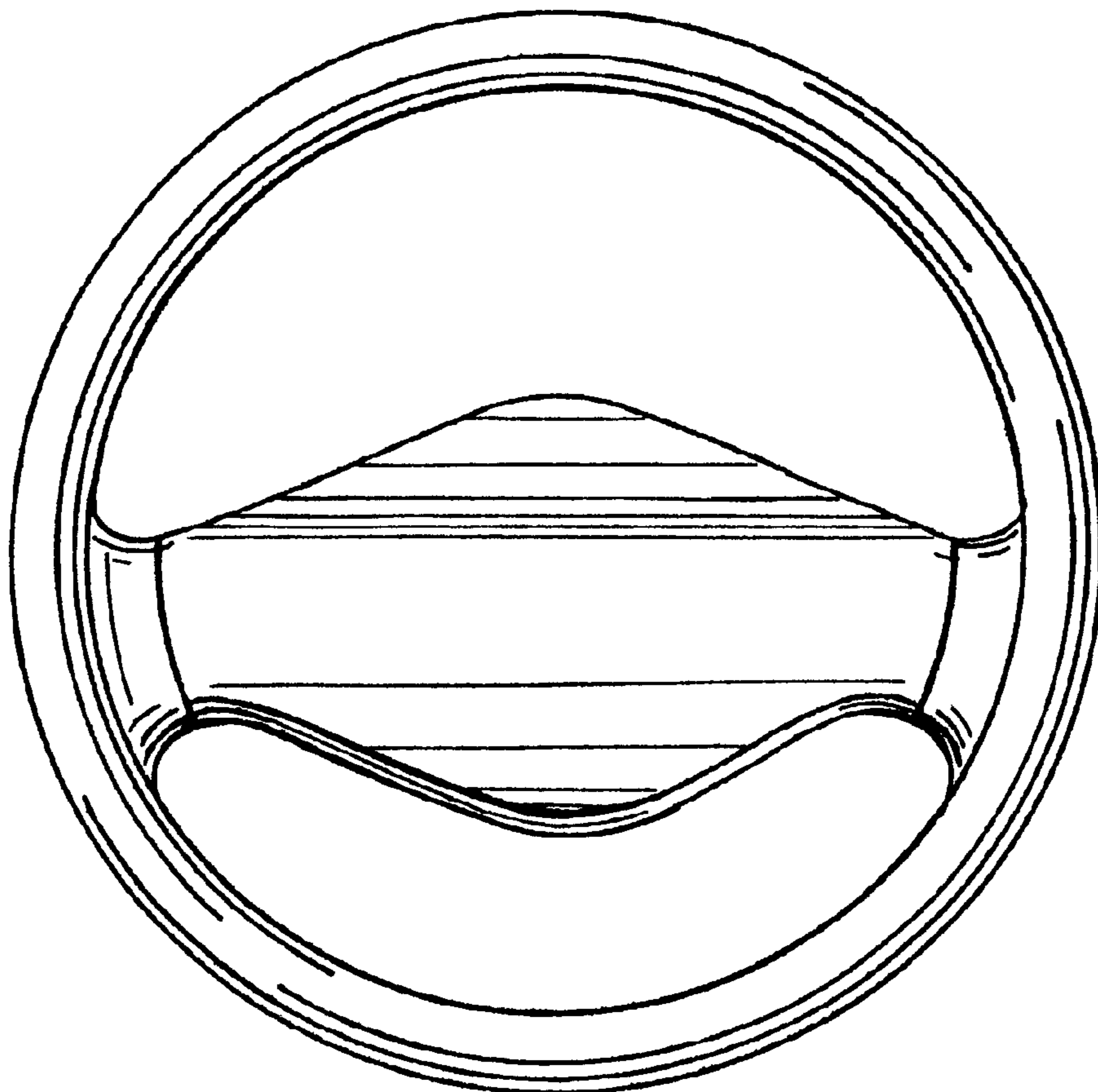
FIG. 3 is a perspective right-side view of the steering wheel (the left-side view being the same);

FIG. 4 is a perspective top view of the steering wheel; and

FIG. 5 is a perspective bottom view of the steering wheel; and,

FIG. 6 is a front elevational view of the steering wheel according to our new design.

**1 Claim, 6 Drawing Sheets**



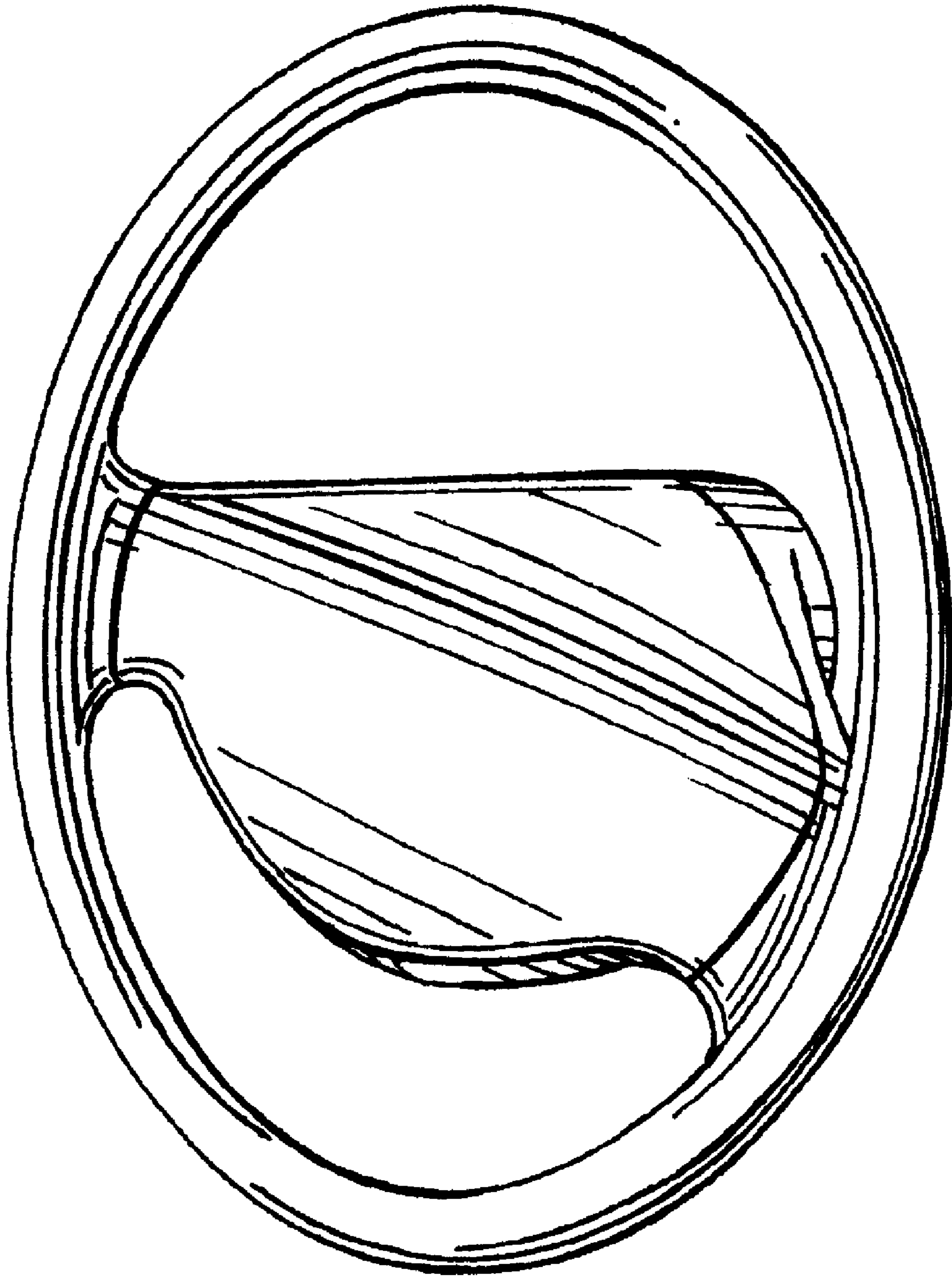


FIG. 1

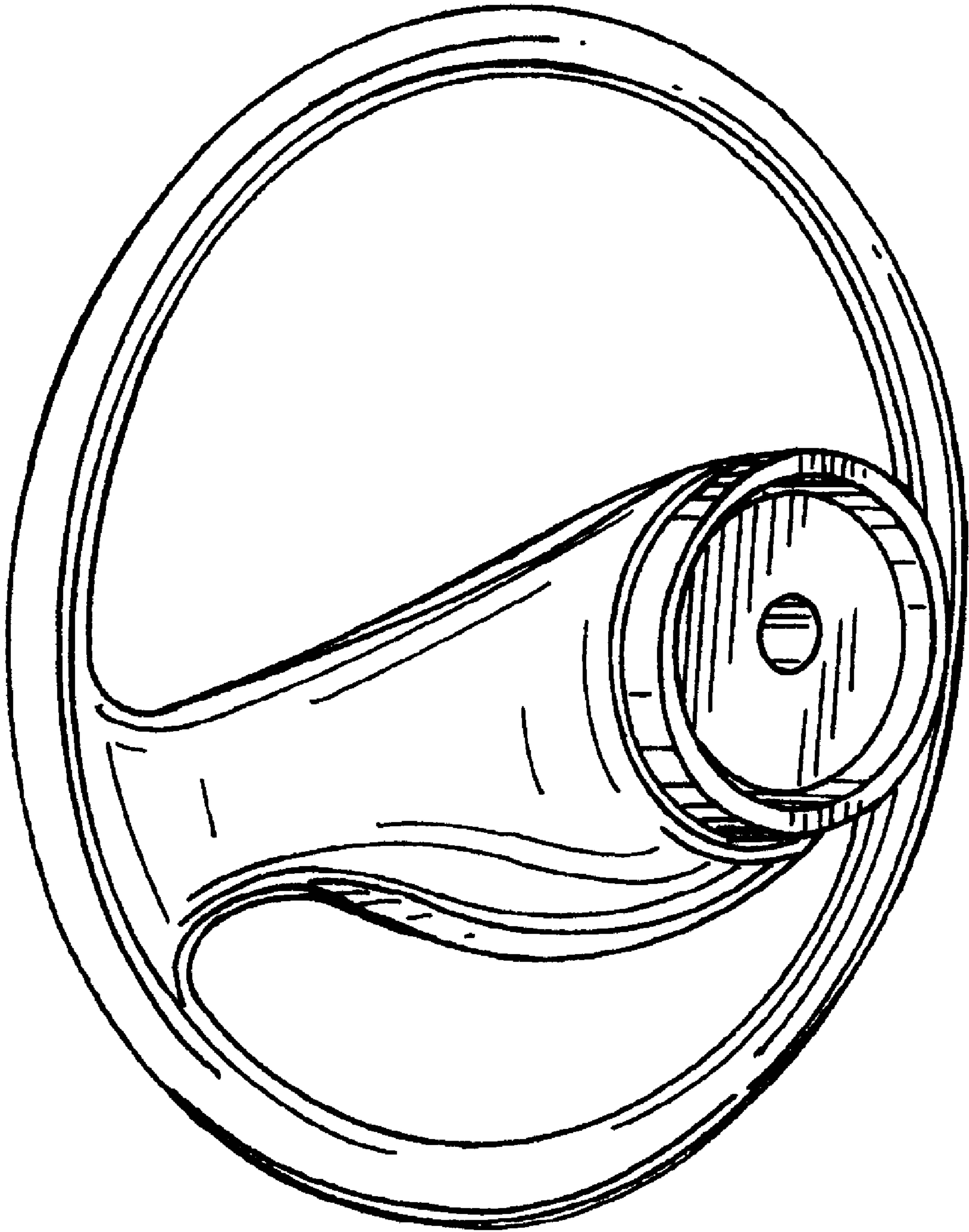


FIG. 2

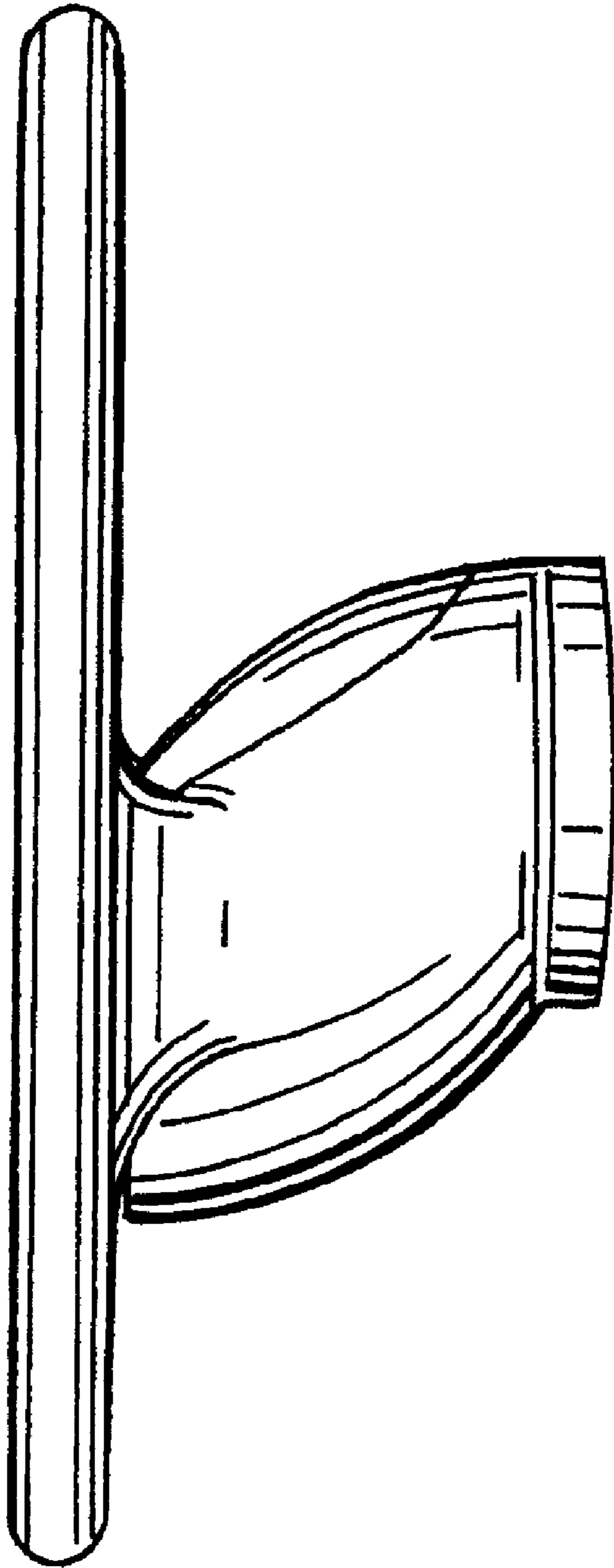


FIG.3

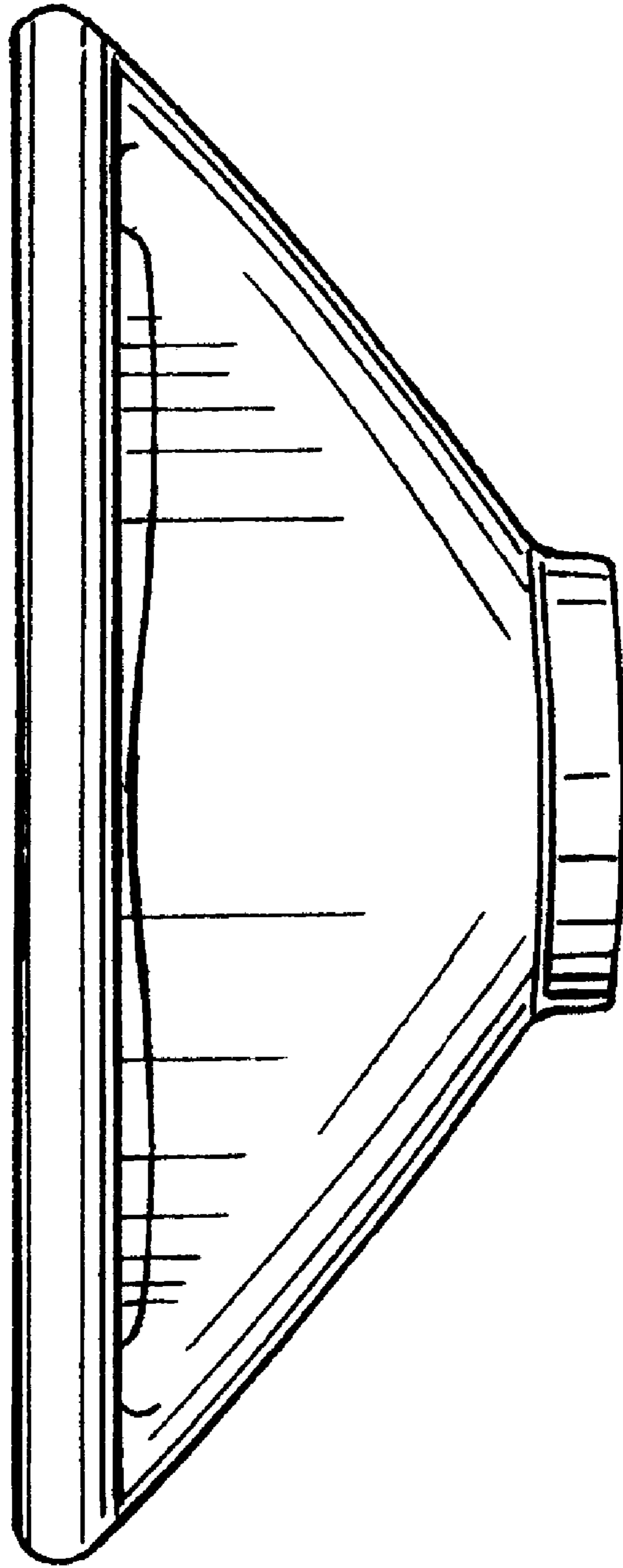


FIG.4

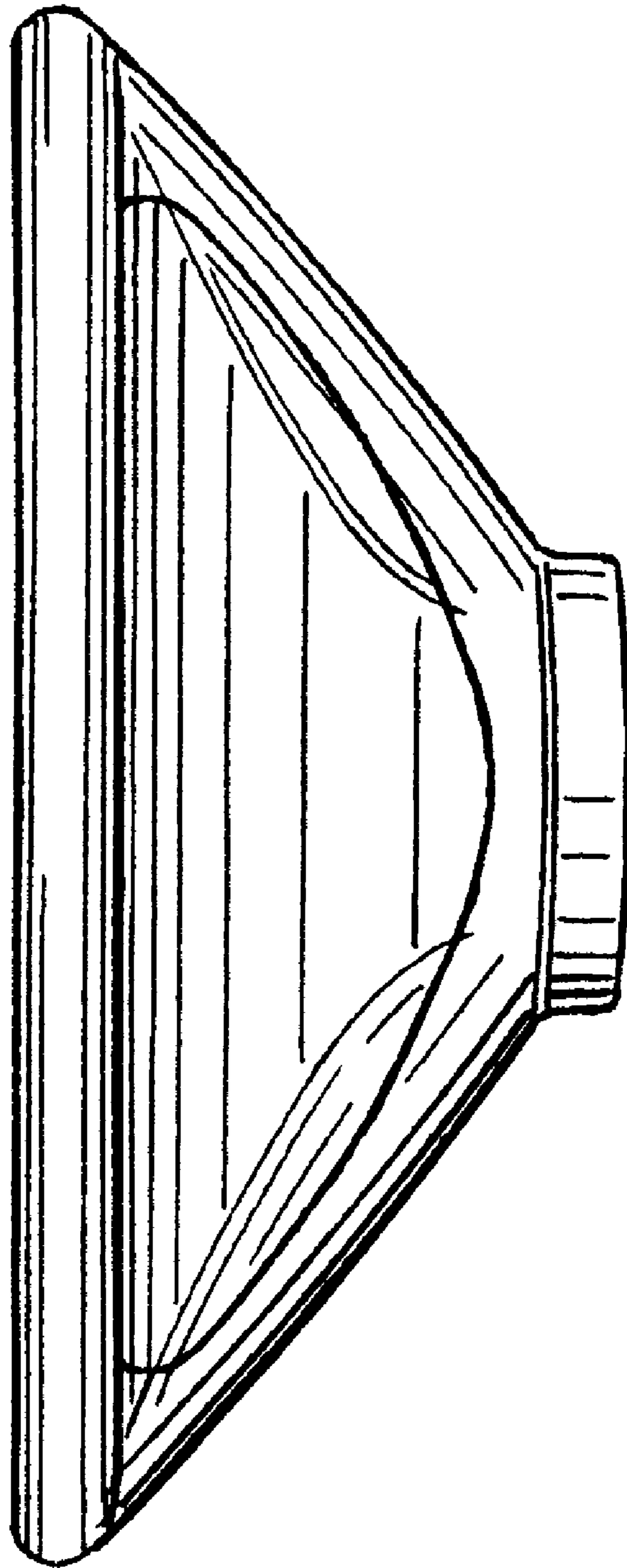


FIG. 5

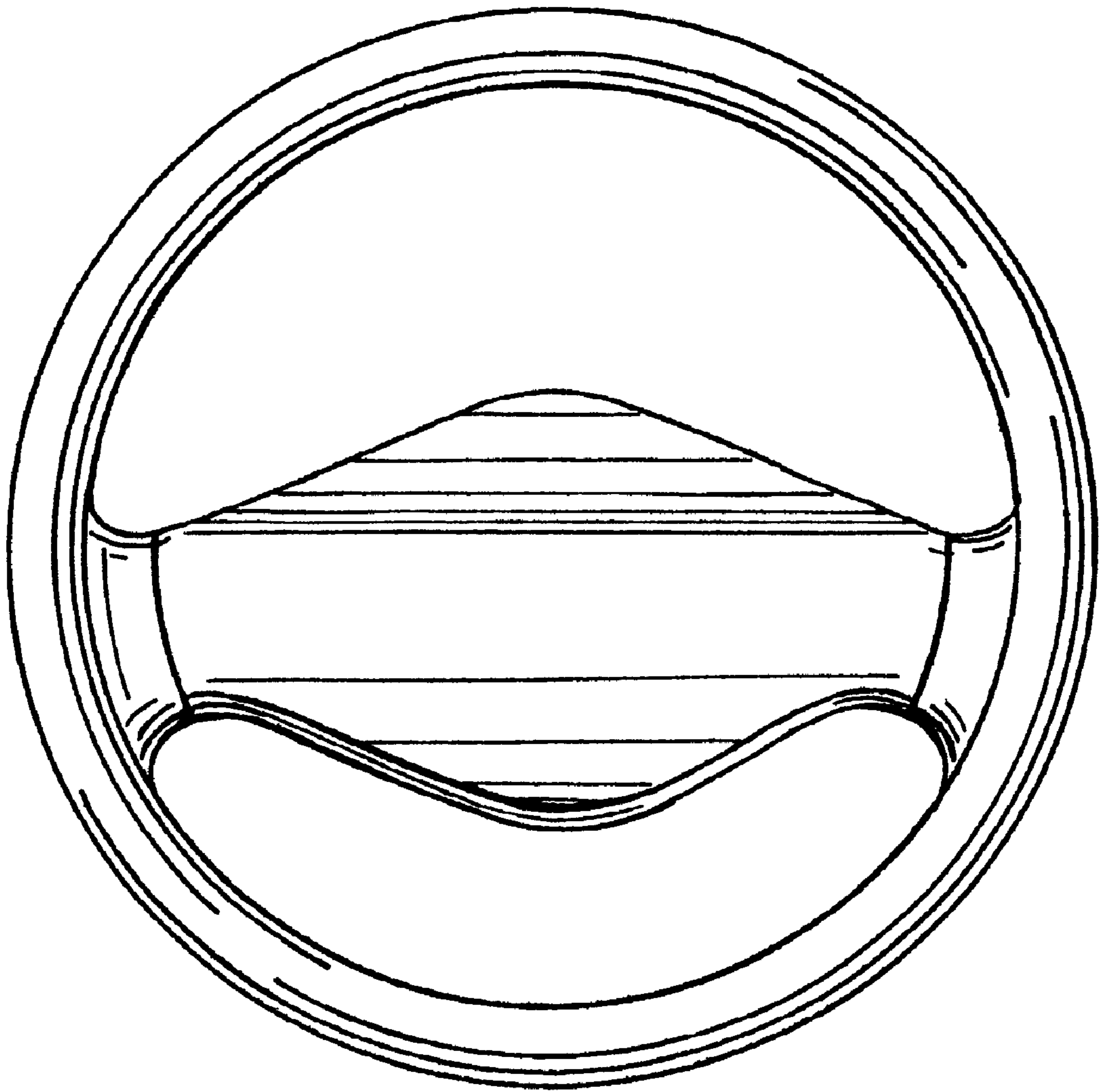


FIG.6