



US00D464295S

(12) **United States Design Patent**
Bonzer

(10) **Patent No.:** **US D464,295 S**

(45) **Date of Patent:** **** Oct. 15, 2002**

(54) **RECEIVER HITCH COVER**

(76) **Inventor:** **Robert L. Bonzer**, 905 W. Amity Rd.,
Boise, ID (US) 83705

(**) **Term:** **14 Years**

(21) **Appl. No.:** **29/156,876**

(22) **Filed:** **Feb. 22, 2002**

(51) **LOC (7) Cl.** **12-16**

(52) **U.S. Cl.** **D12/162**

(58) **Field of Search** D12/162, 400,
D12/126; 280/402, 415.1, 416.1, 482, 490,
493, 495, 491.1-491.49, 500, 501, 505,
511; 296/26.08

D376,566 S	12/1996	Davidson et al.	D12/126
D388,746 S	1/1998	Davidson et al.	D12/110
D400,828 S	11/1998	Golden et al.	D12/126
D402,928 S	12/1998	Swenson et al.	D12/126
D408,828 S	4/1999	Golden et al.	D12/126
D416,832 S	11/1999	Golden et al.	D12/126
D433,357 S	* 11/2000	McCoy et al.	D12/162
D434,352 S	11/2000	Davidson et al.	D12/126
D443,567 S	* 6/2001	Weir et al.	D12/162
D445,738 S	* 7/2001	Lindenman et al.	D12/162
D456,321 S	* 4/2002	Sammons et al.	D12/162
D458,195 S	* 6/2002	Beauvais	D12/162

* cited by examiner

Primary Examiner—Stacia Cadmus

(74) *Attorney, Agent, or Firm*—Frank J. Dykas; Robert L. Shaver; Stephen M. Nipper

(56) **References Cited**

U.S. PATENT DOCUMENTS

D280,990 S	10/1985	Davidson	D15/5
D294,685 S	3/1988	Opitz	D12/126
D295,154 S	4/1988	Opitz	D12/126
D333,806 S	3/1993	Davidson	D12/110
D336,451 S	6/1993	Huebner	D12/126
D354,460 S	1/1995	Davidson et al.	D12/126
D354,462 S	1/1995	Davidson et al.	D12/126
D356,764 S	* 3/1995	Thixton, Jr. et al.	D12/162
D357,216 S	4/1995	Davidson et al.	D12/126
D363,259 S	10/1995	Davidson et al.	D12/126
D363,691 S	10/1995	Davidson et al.	D12/126
D367,444 S	2/1996	Davidson et al.	D12/126

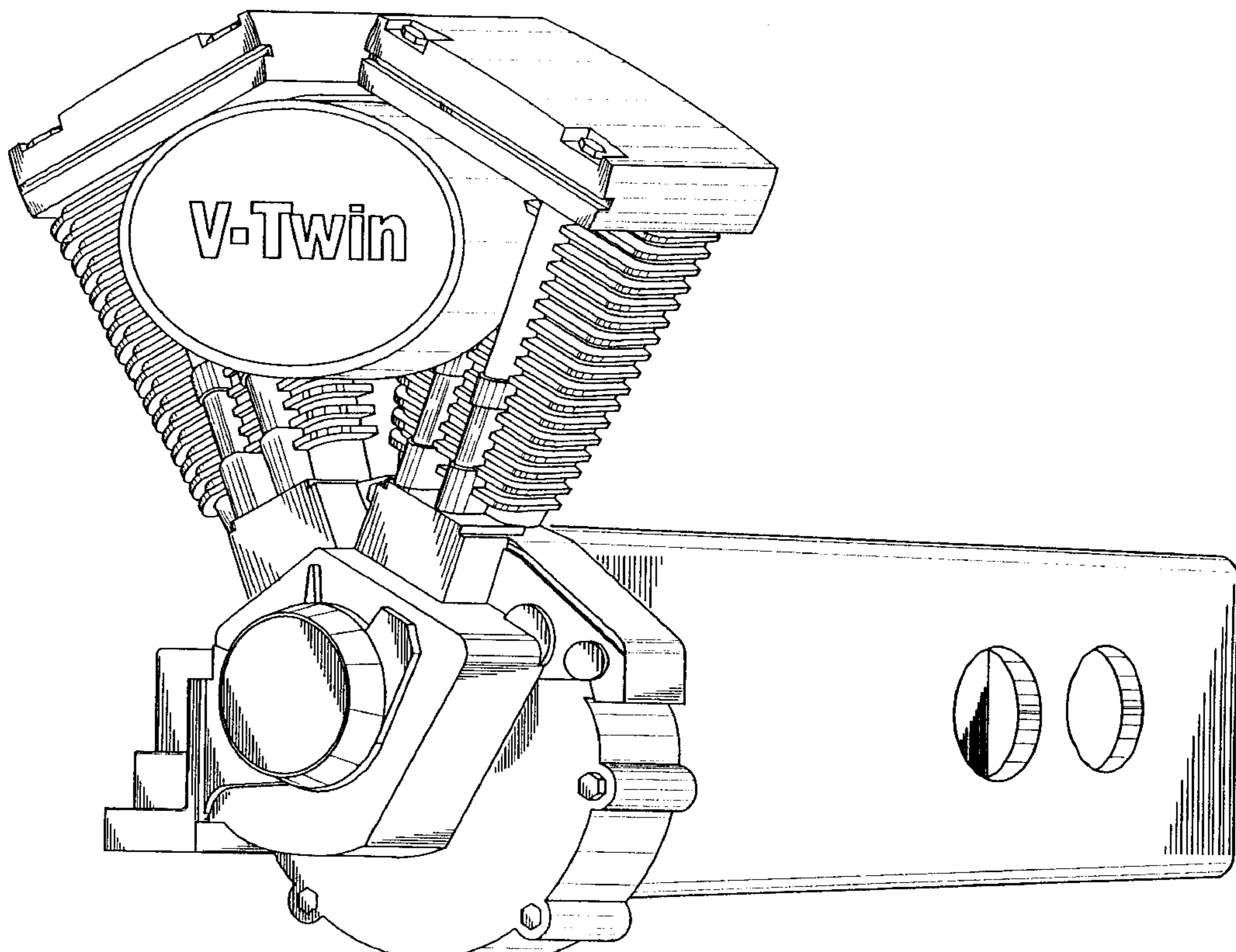
(57) **CLAIM**

The ornamental design for a receiver hitch cover, as shown and described.

DESCRIPTION

FIG. 1 is a perspective view of the receiver hitch cover; FIG. 2 is a front view of the receiver hitch cover; FIG. 3 is a first side view of the receiver hitch cover; FIG. 4 is a second side view of the receiver hitch cover; FIG. 5 is a top view of the receiver hitch cover; FIG. 6 is a bottom view of the receiver hitch cover; and, FIG. 7 is a back view of the receiver hitch cover.

1 Claim, 7 Drawing Sheets



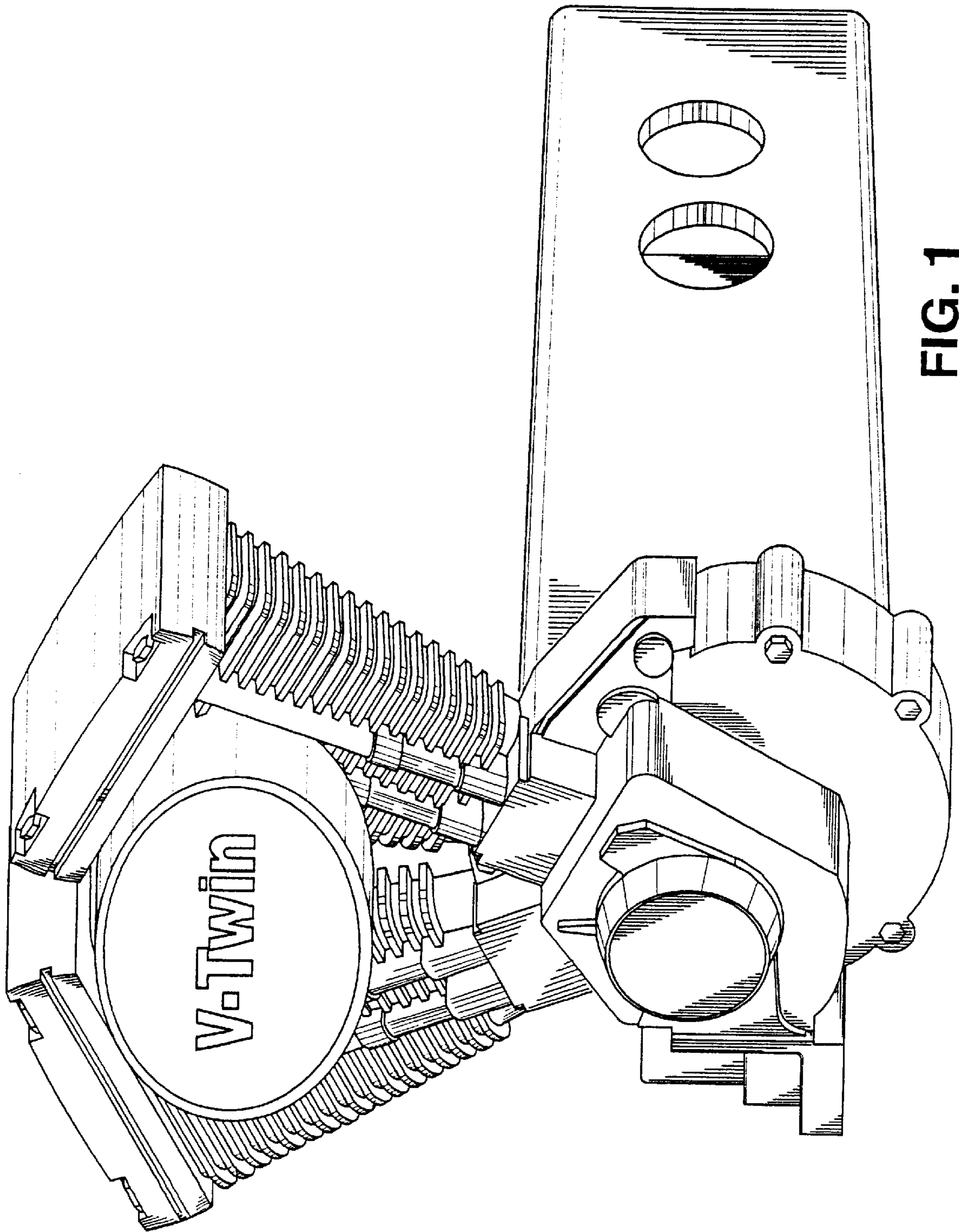


FIG. 1

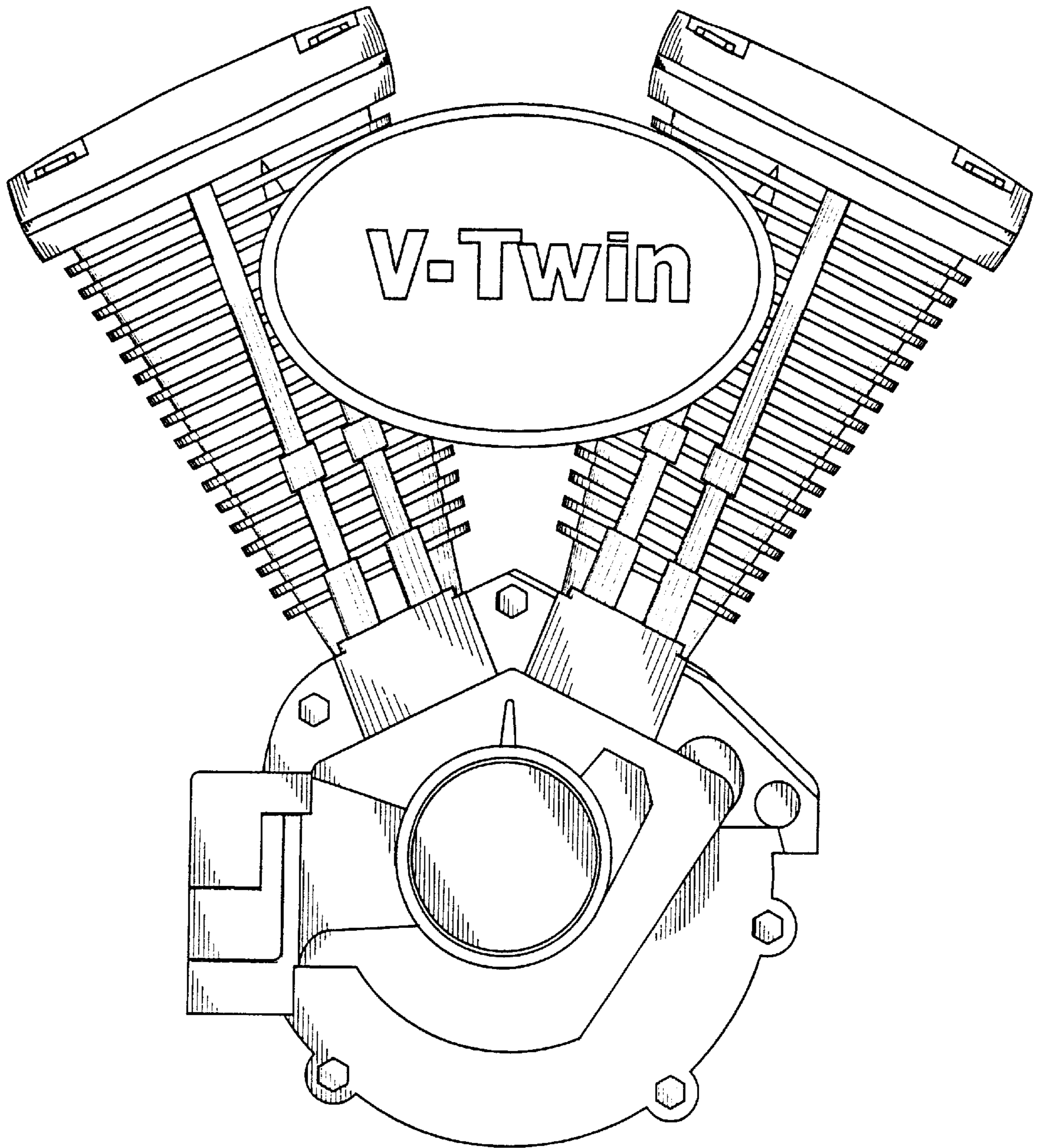
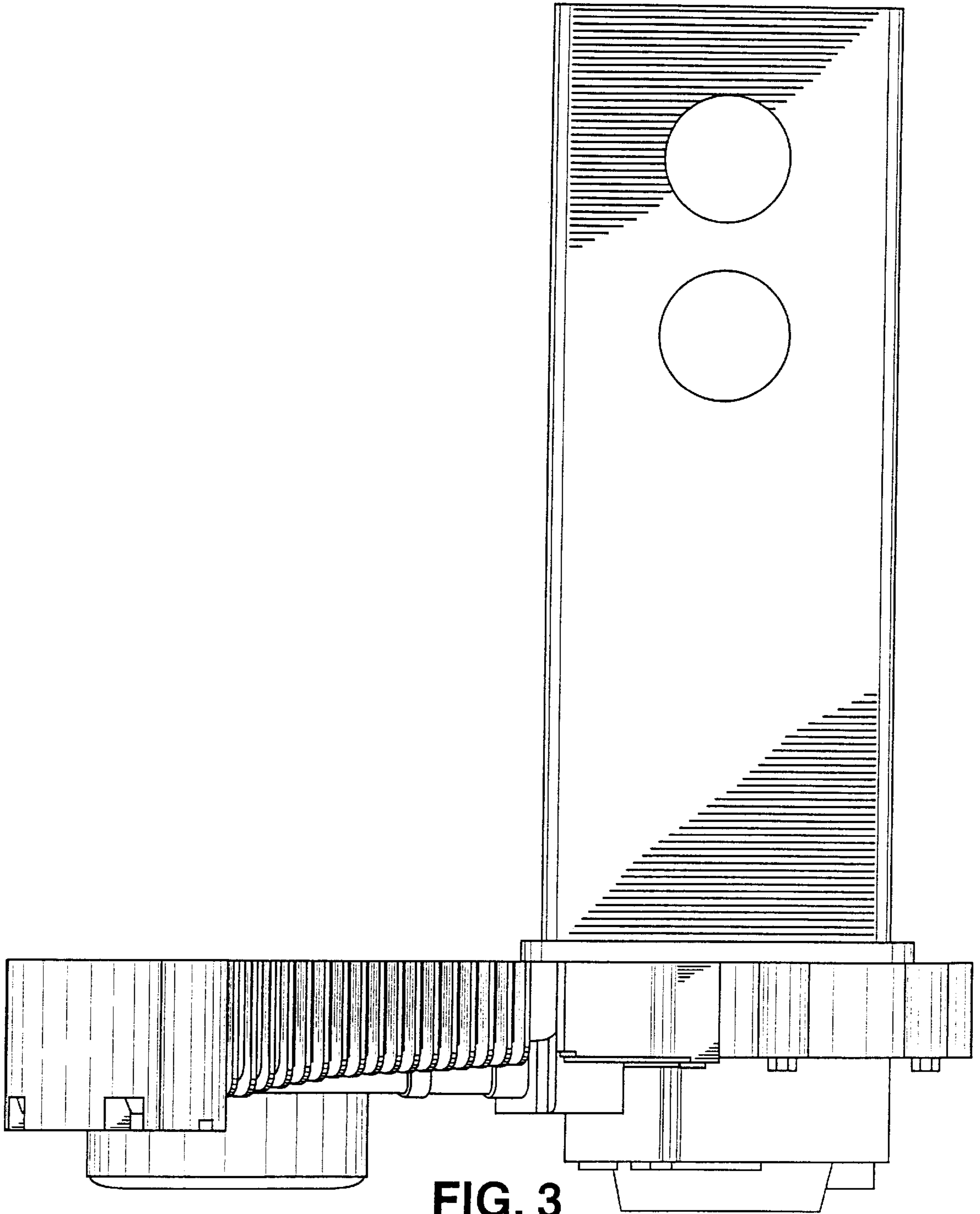


FIG. 2



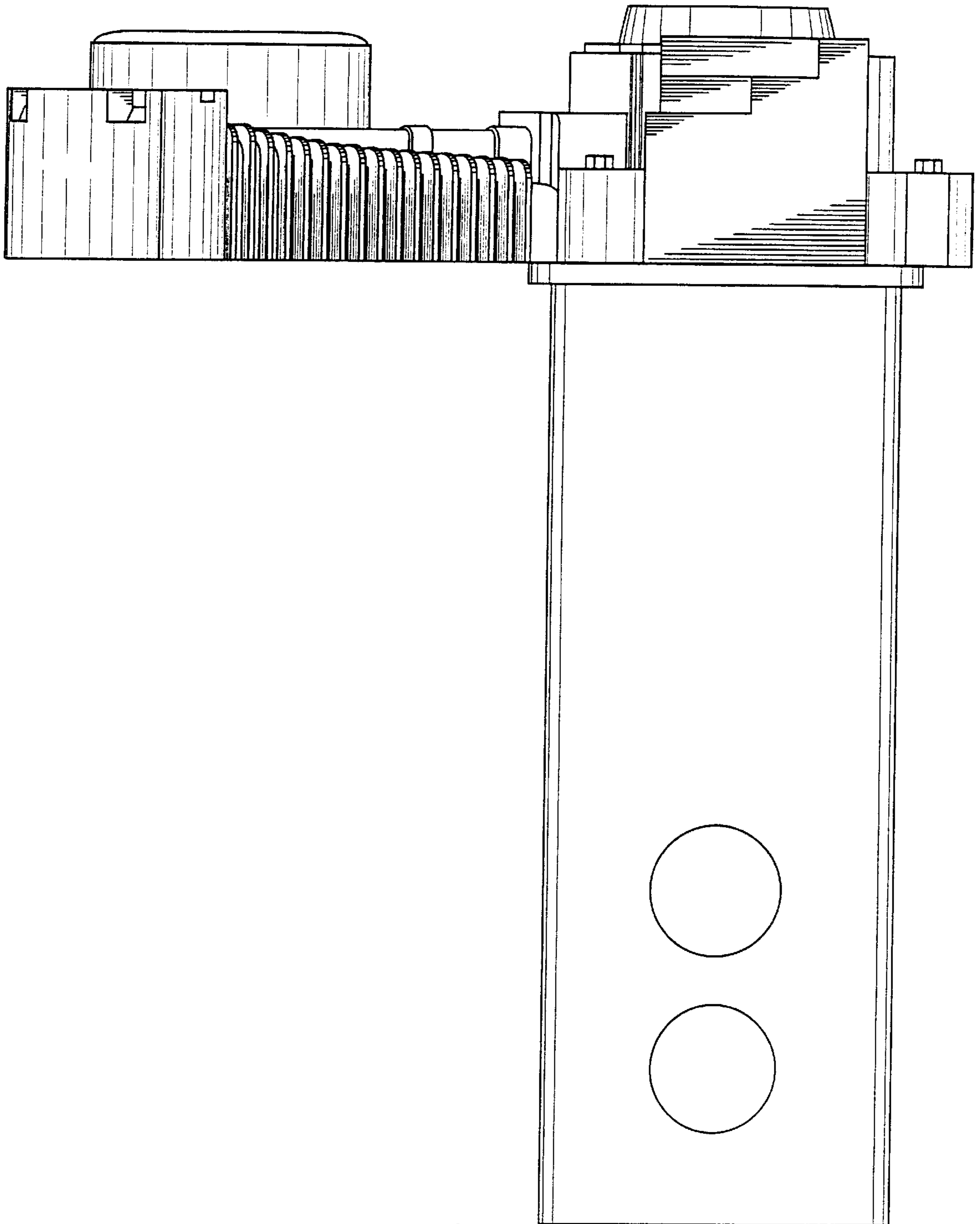


FIG. 4

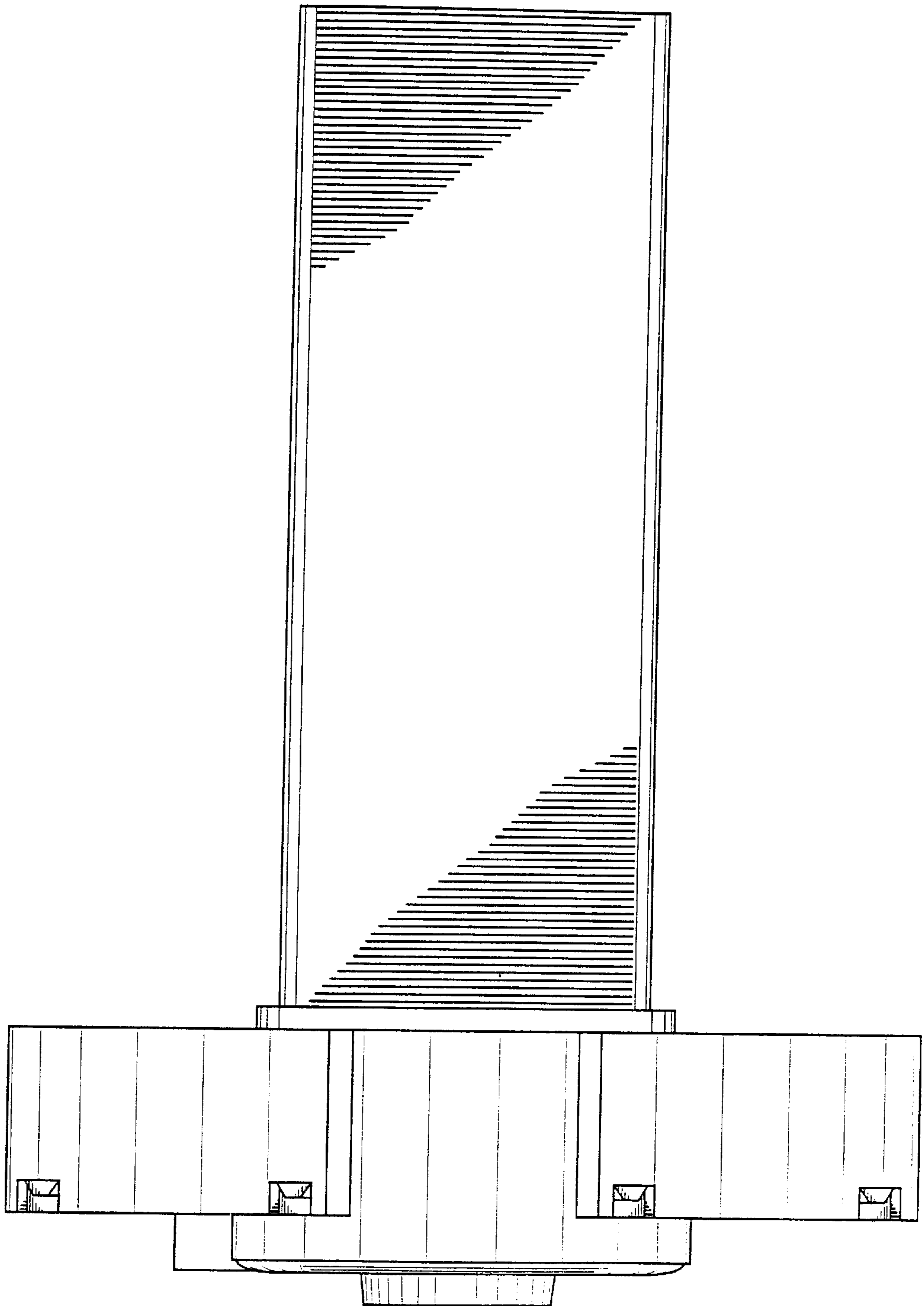


FIG. 5

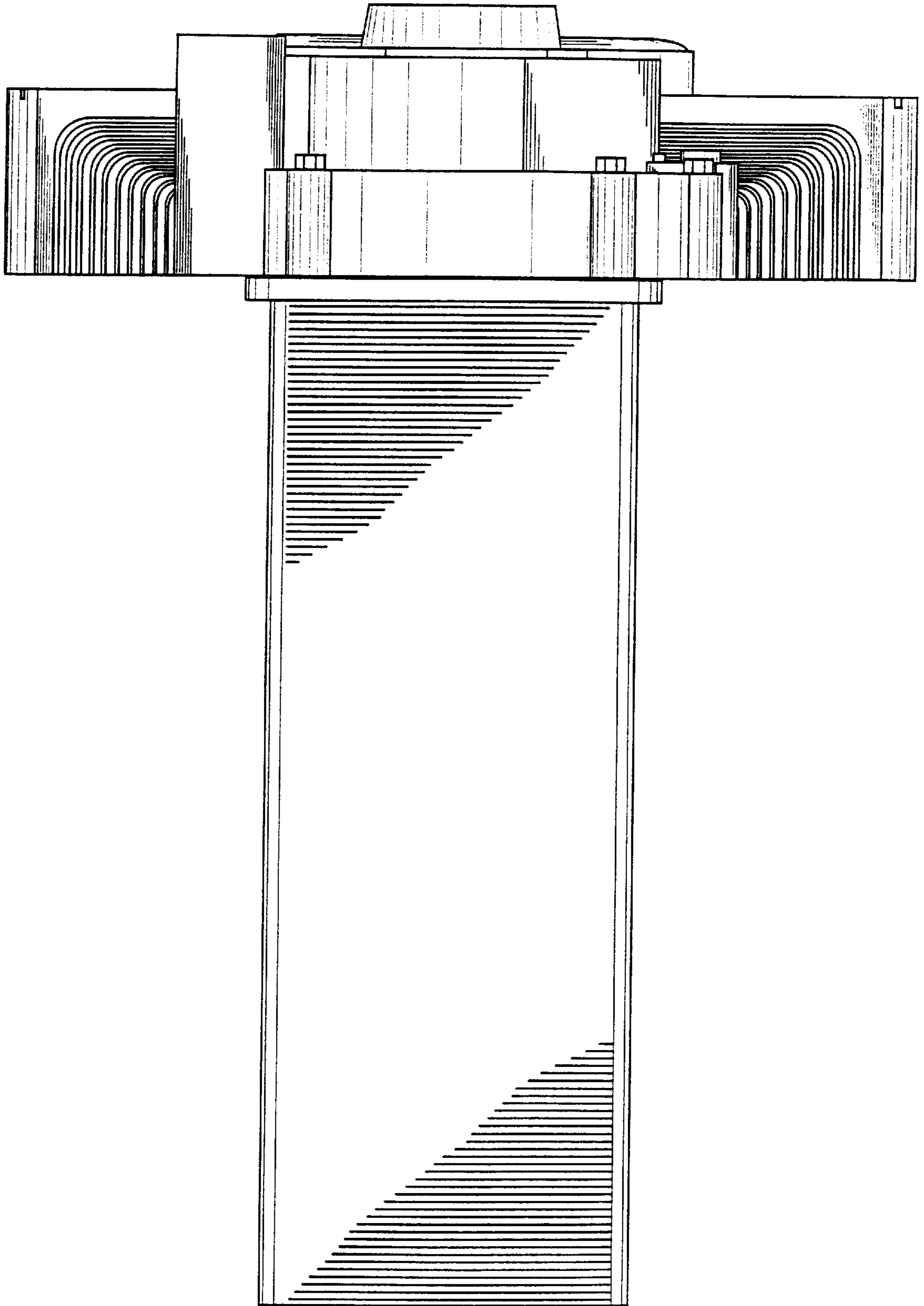


FIG. 6

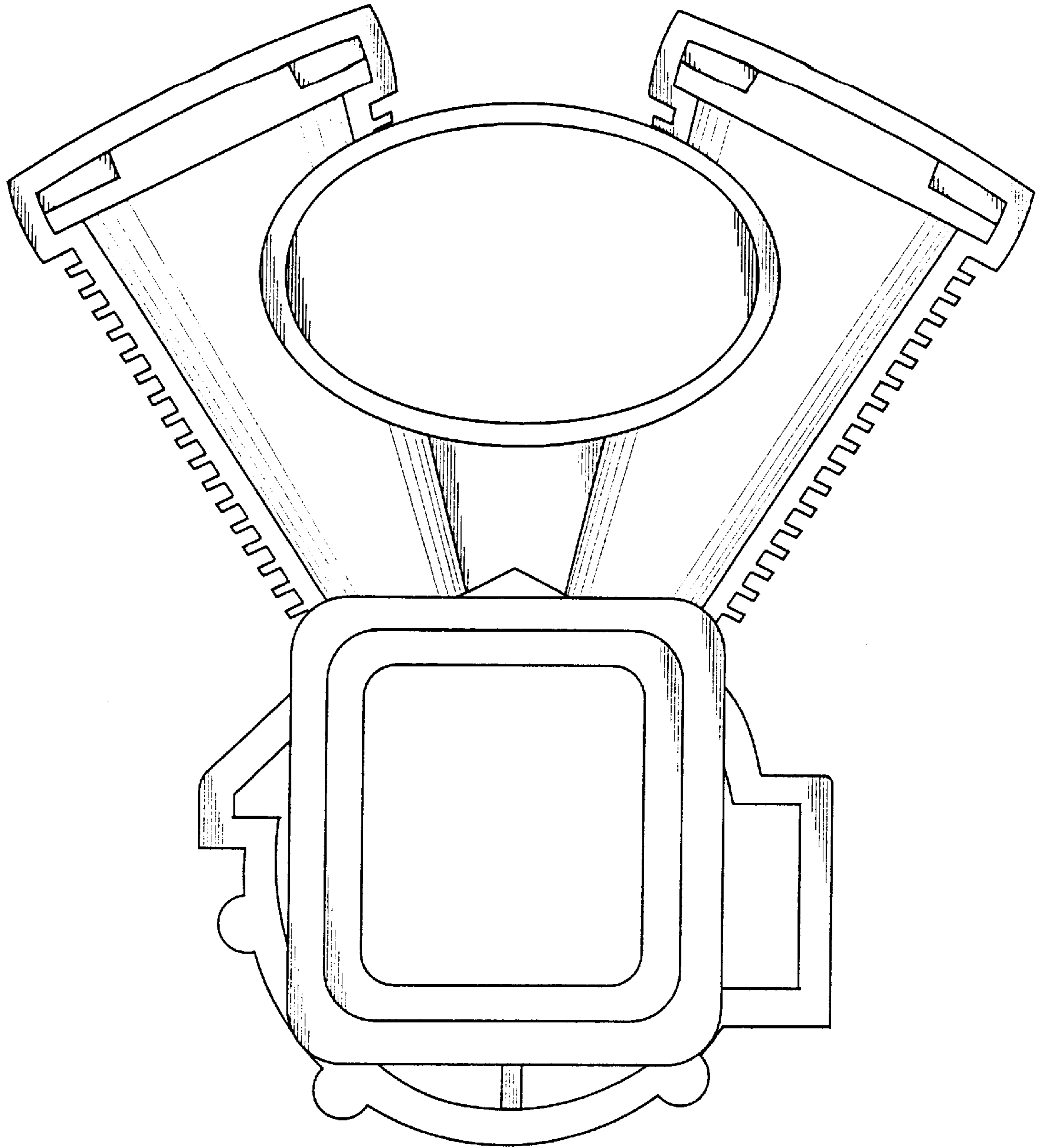


FIG. 7