



US00D464294S

(12) **United States Design Patent**
Puzey

(10) **Patent No.:** **US D464,294 S**

(45) **Date of Patent:** **** Oct. 15, 2002**

(54) **REAR WHEEL DRIVE ASSEMBLY FOR A SCOOTER**

(76) Inventor: **Michael Roydon Puzey**, PO Box 1039, Ferndale (ZA), 2160

(**) Term: **14 Years**

(21) Appl. No.: **29/145,945**

(22) Filed: **Aug. 2, 2001**

(51) **LOC (7) Cl.** **12-11**

(52) **U.S. Cl.** **D12/122**

(58) **Field of Search** D12/110-114, D12/122-124; D21/423; 180/209, 210, 205, 206, 215, 219, 220, 221, 223, 226, 227, 342, 65.6; 74/329, 375, 497, 498, 594.1, 594.2, 594.3, 625

(56) **References Cited**

U.S. PATENT DOCUMENTS

2,599,880 A * 6/1952 Wilson 74/625
5,272,938 A * 12/1993 Hsu et al. 74/594.1

* cited by examiner

Primary Examiner—Alan P. Douglas

Assistant Examiner—Linda Brooks

(74) *Attorney, Agent, or Firm*—Young & Thompson

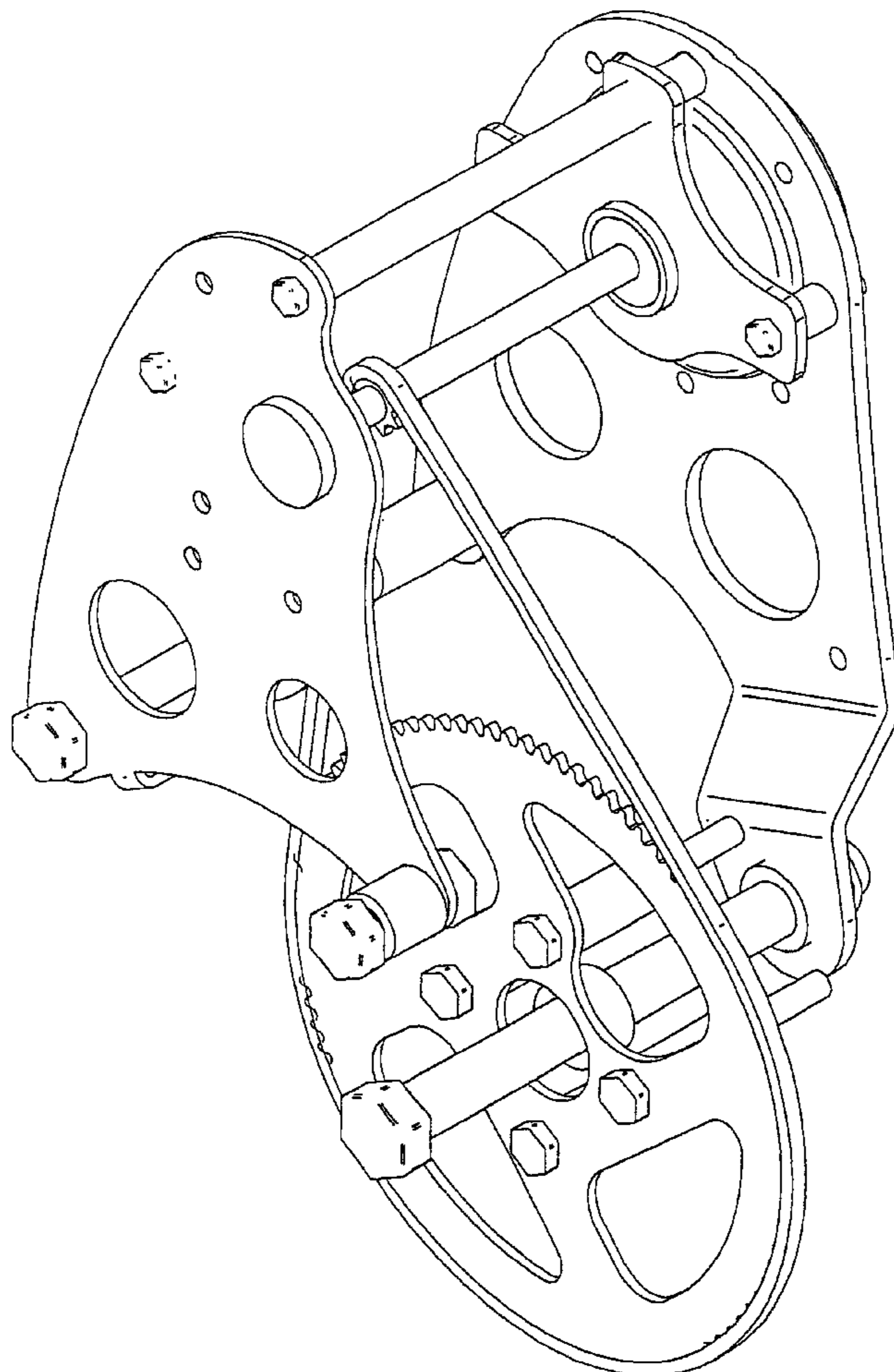
(57) **CLAIM**

The ornamental design for a rear wheel drive assembly for a scooter, as shown and described.

DESCRIPTION

FIG. 1 is a side view in elevation of a first side of a rear wheel drive assembly for a scooter showing my new design; FIG. 2 is a side view in elevation of a second side of the drive assembly which is opposite to the first side; FIG. 3 is a top plan view of the drive assembly; FIG. 4 is a bottom plan view of the drive assembly; FIG. 5 is a rear view in elevation of the drive assembly; FIG. 6 is a front view in elevation of the drive assembly; FIG. 7 is a perspective view of the drive assembly in an assembled configuration; and, FIG. 8 is a perspective view of the drive assembly in an exploded configuration.

1 Claim, 5 Drawing Sheets



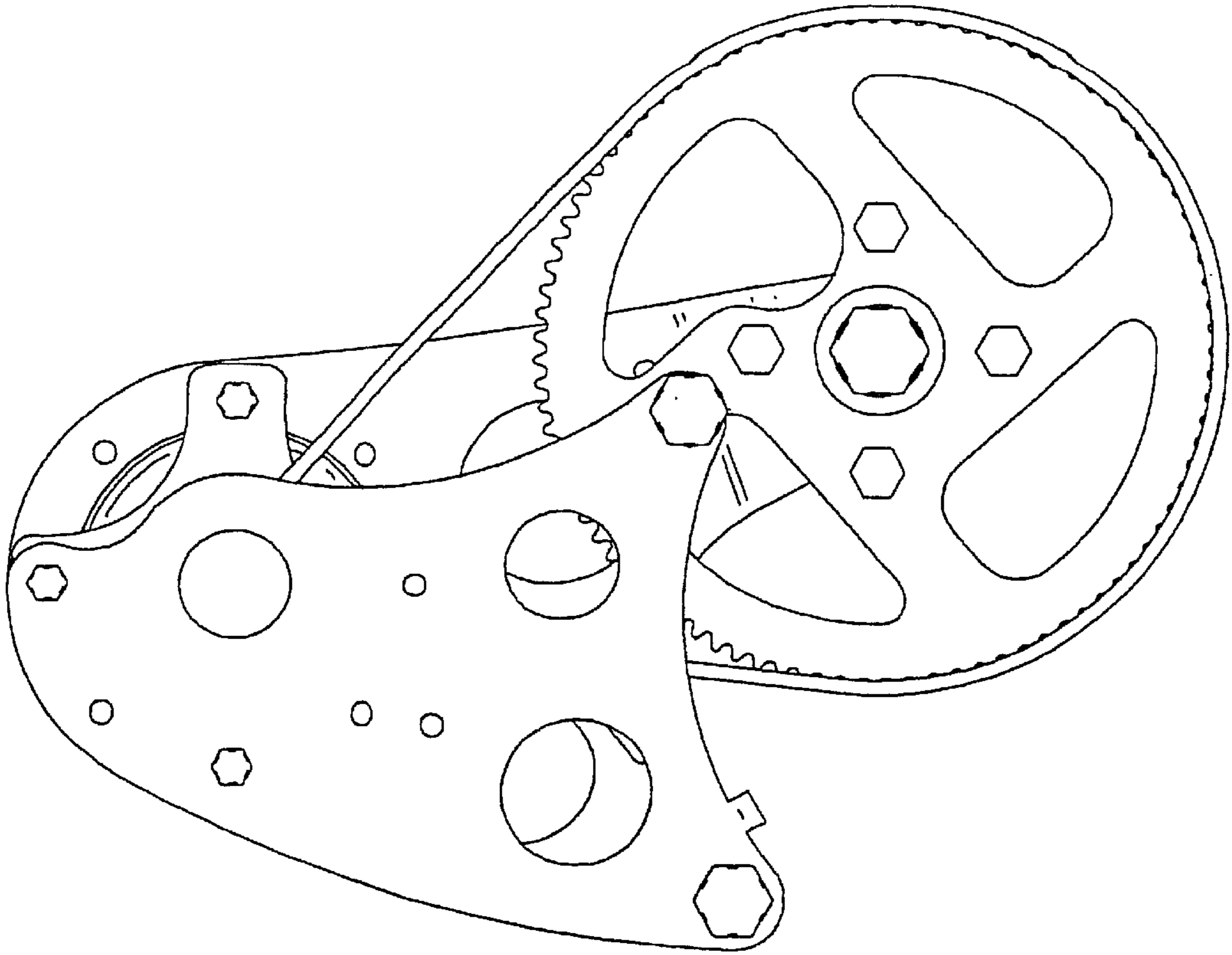


FIGURE 1

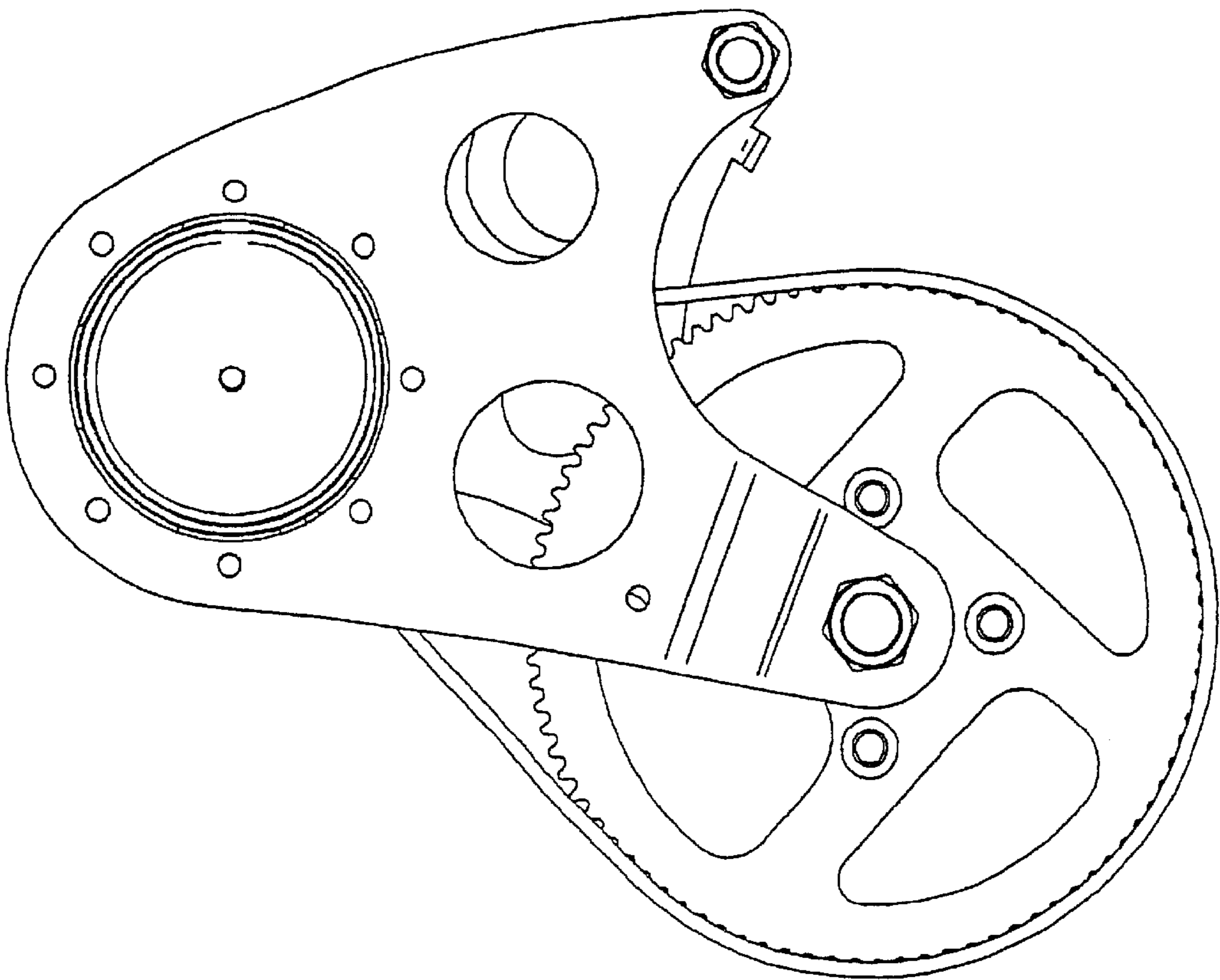


FIGURE 2

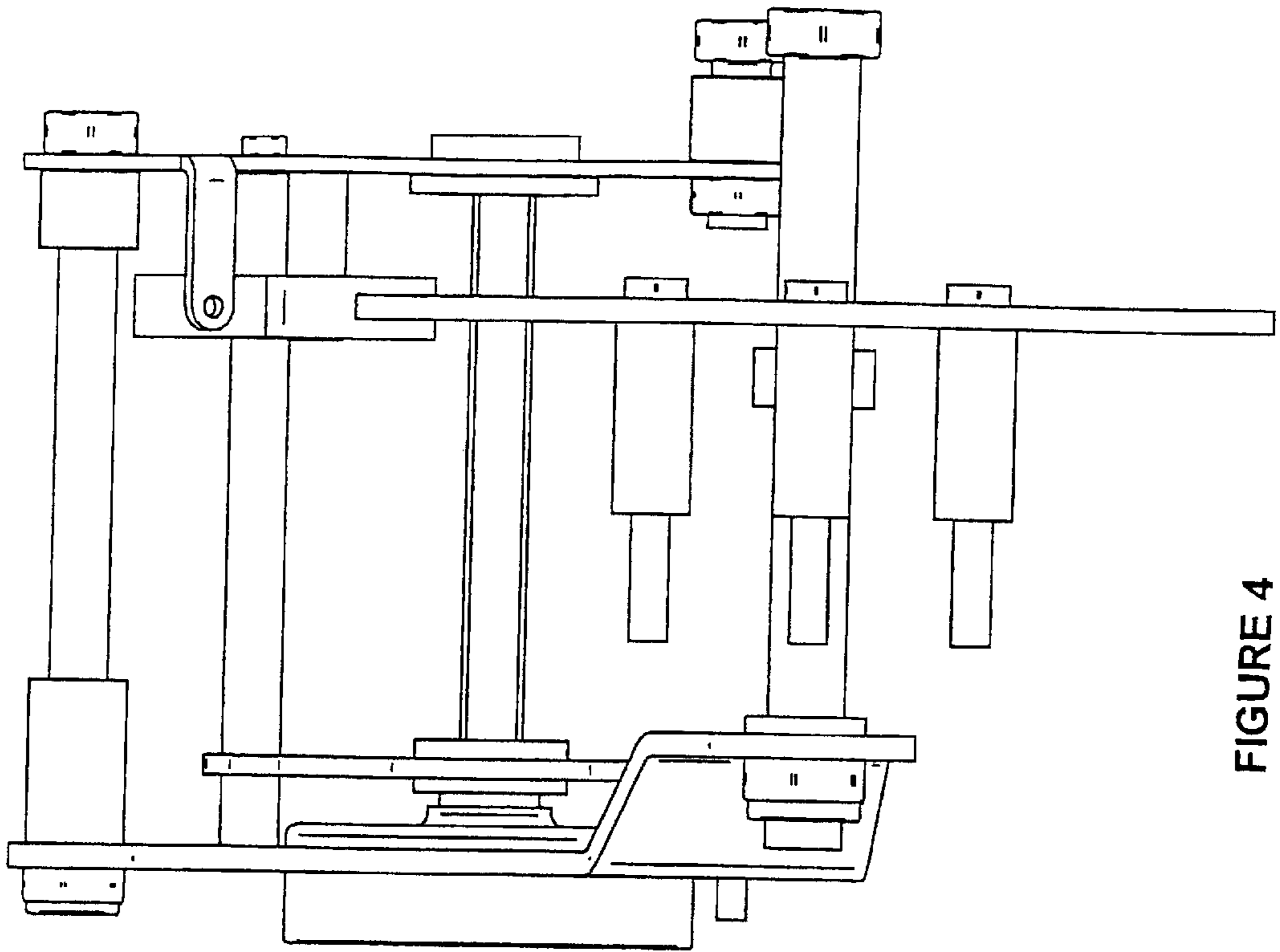


FIGURE 4

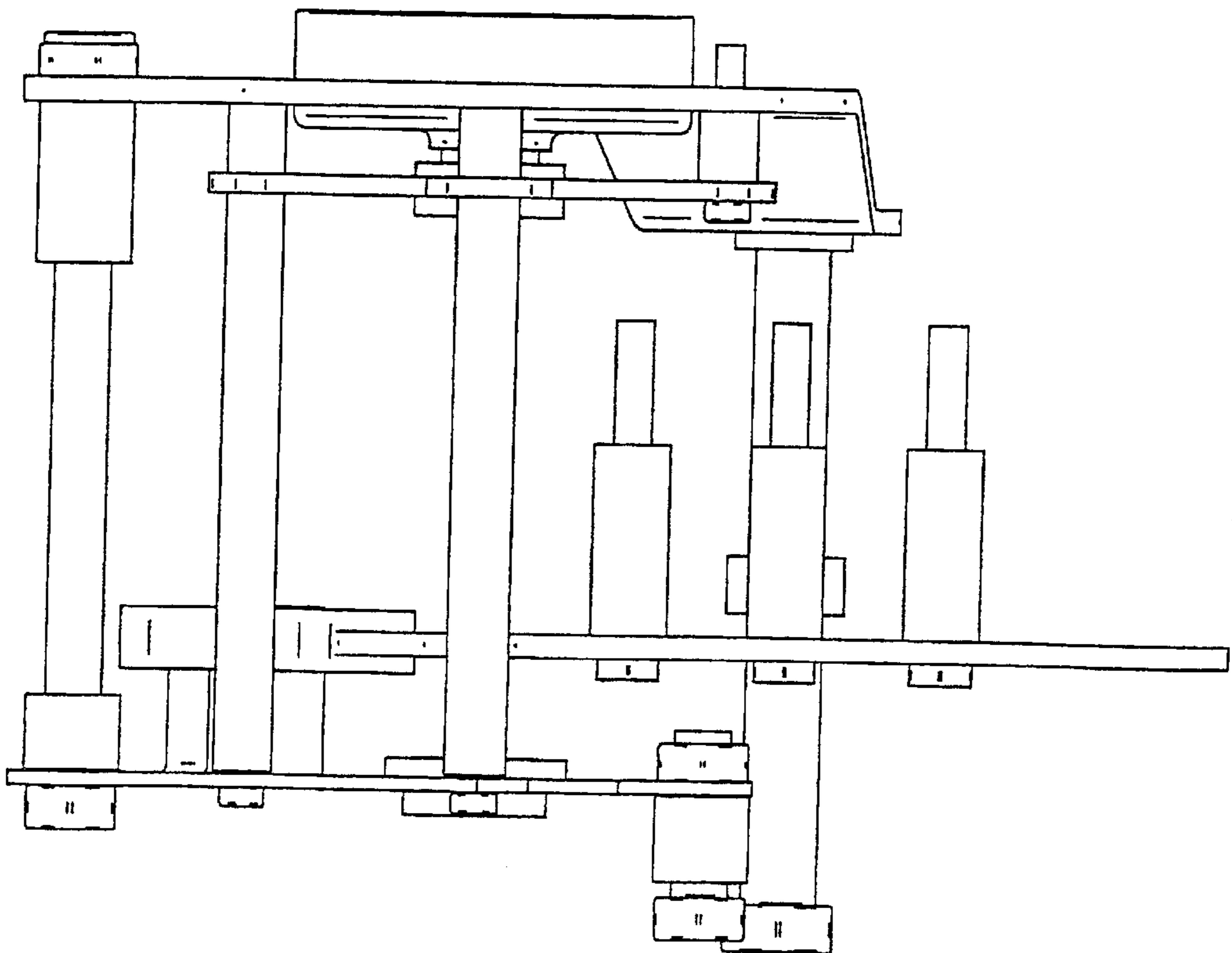


FIGURE 3

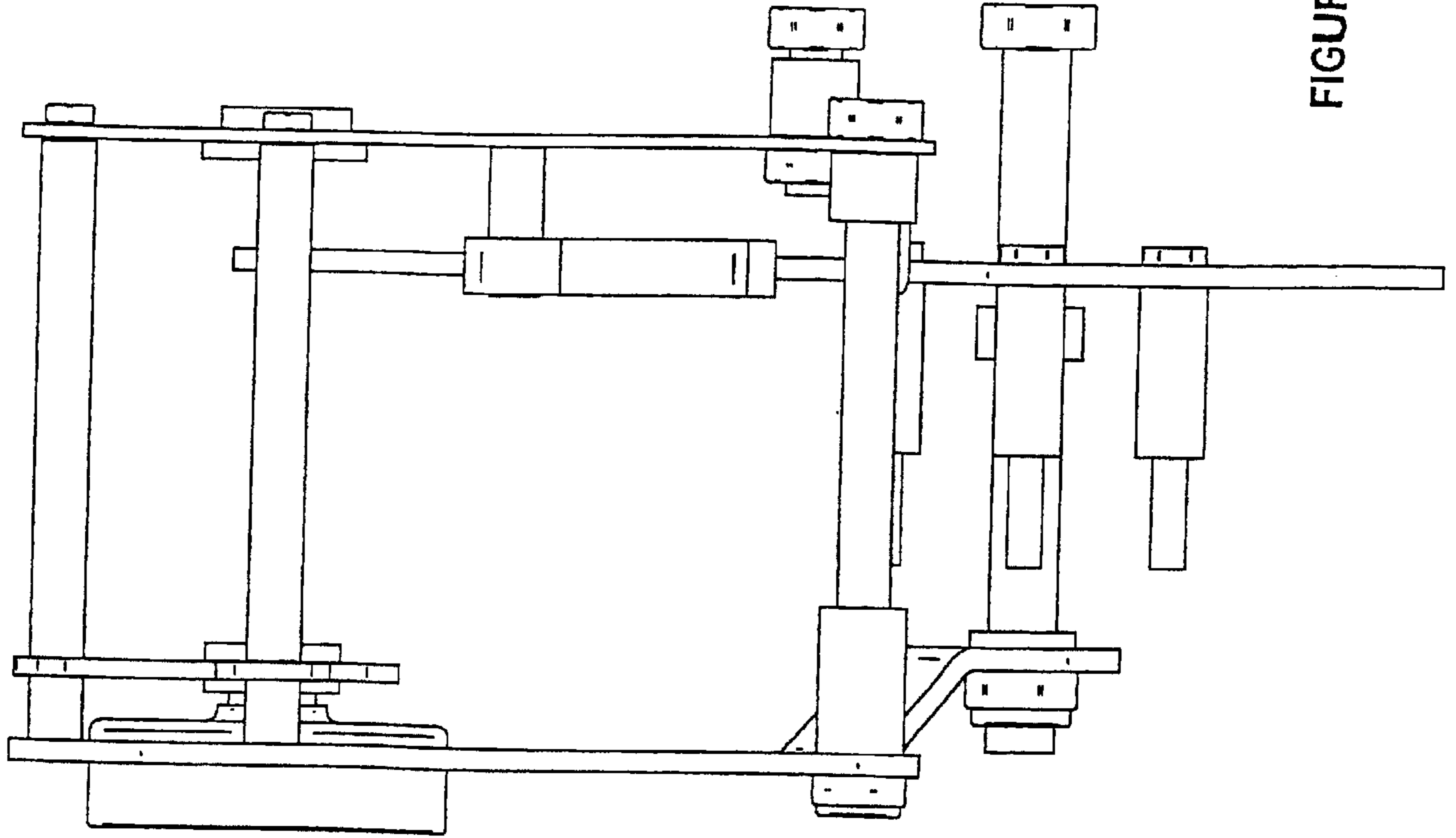


FIGURE 6

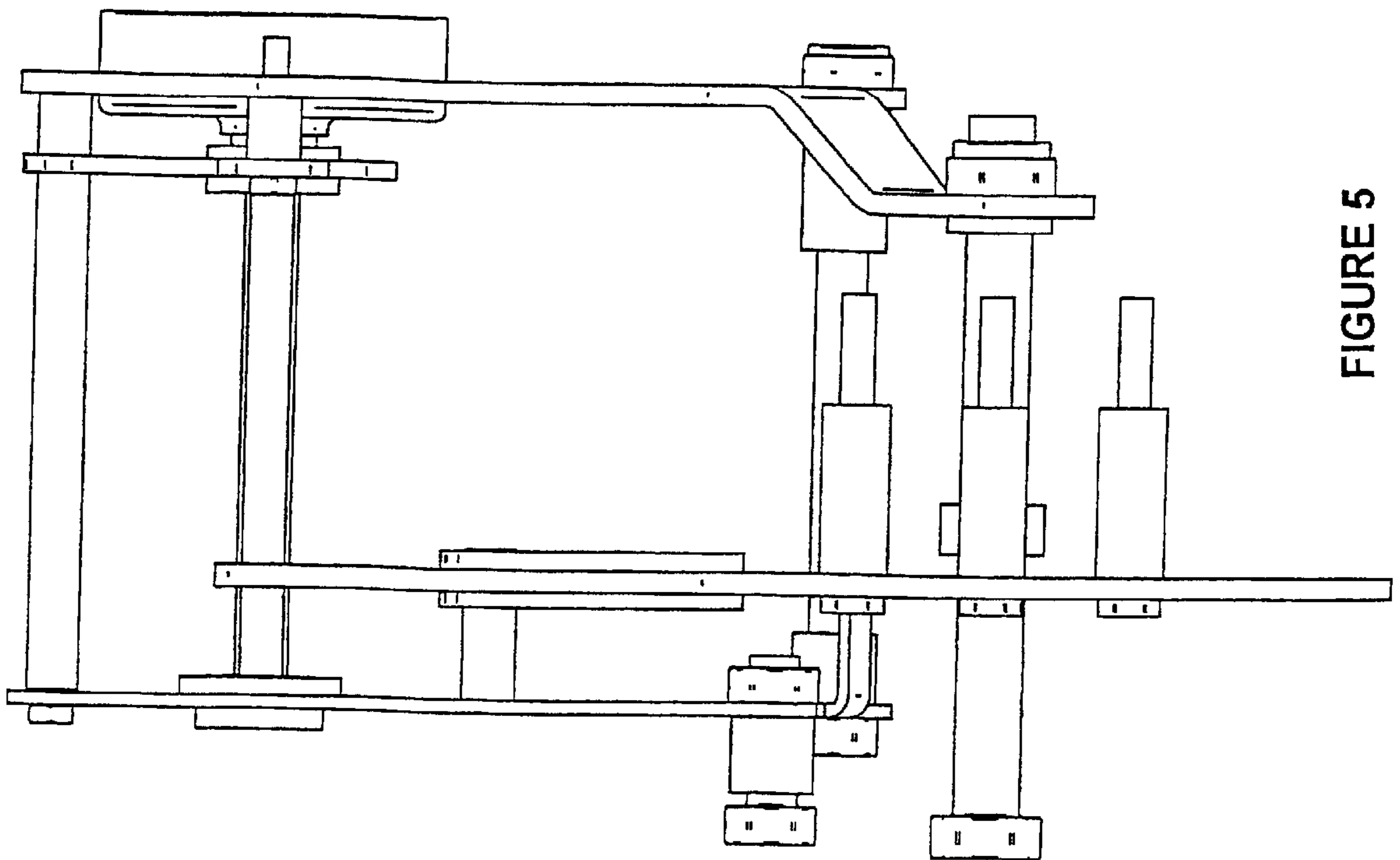


FIGURE 5

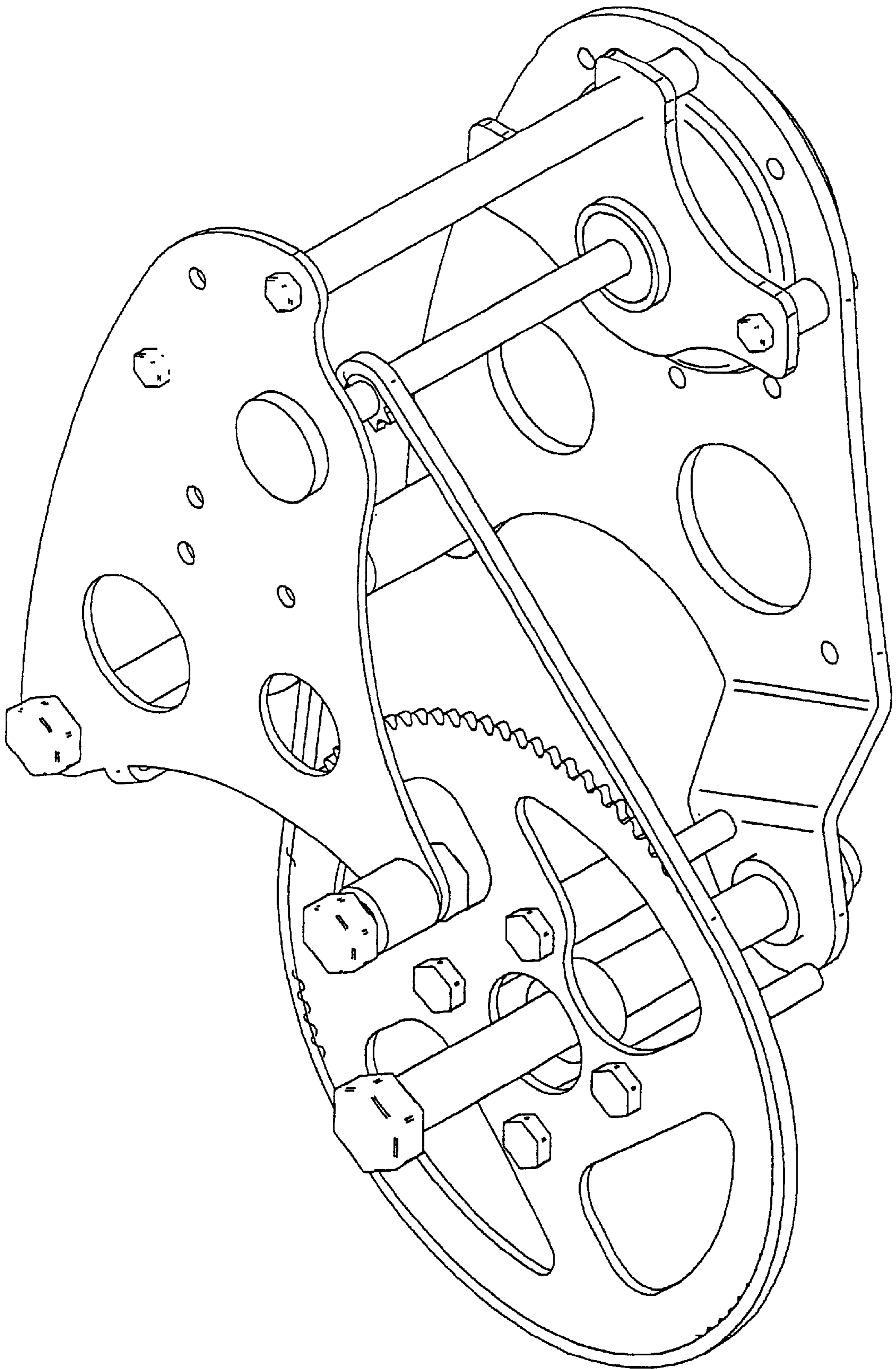


FIGURE 7

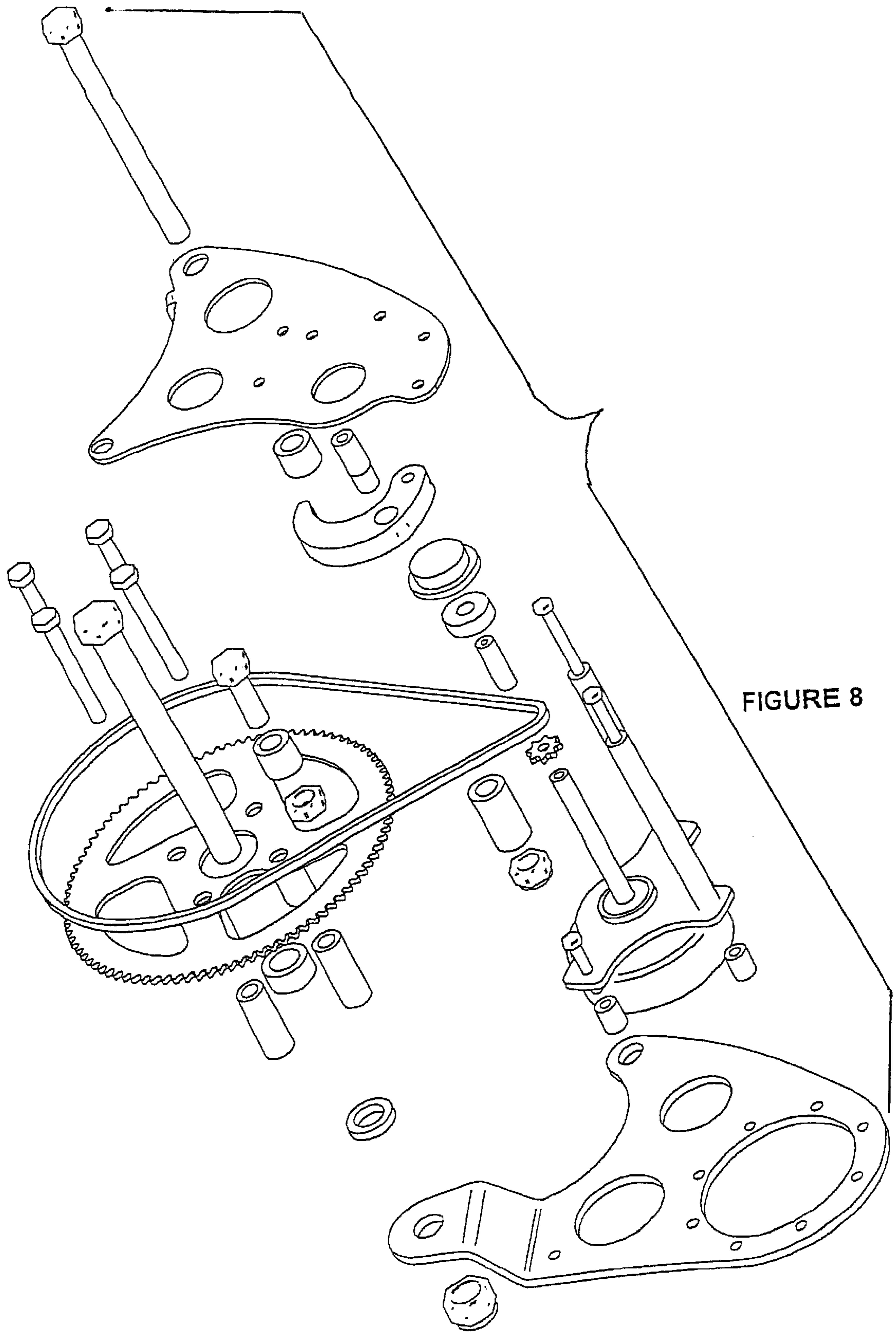


FIGURE 8