



US00D464291S

(12) **United States Design Patent**
Wu

(10) **Patent No.:** **US D464,291 S**

(45) **Date of Patent:** **** Oct. 15, 2002**

(54) **DUNE BUGGY**

D427,942 S * 6/2000 Cho et al. D12/107

(75) Inventor: **Wen-Yung Wu**, Kaohsiung (TW)

* cited by examiner

(73) Assignee: **Kwang Yang Motor Co., Ltd.** (TW)

Primary Examiner—Alan P. Douglas

Assistant Examiner—Linda Brooks

(**) Term: **14 Years**

(74) *Attorney, Agent, or Firm*—Troxell Law Office PLLC

(21) Appl. No.: **29/147,019**

(57) **CLAIM**

(22) Filed: **Aug. 22, 2001**

The ornamental design for a dune buggy, as shown and described.

(51) **LOC (7) Cl.** **12-11**

DESCRIPTION

(52) **U.S. Cl.** **D12/107**

FIG. 1 is a perspective view of a dune buggy showing my new design;

(58) **Field of Search** D12/3, 107, 86;
180/225, 229, 233, 247, 291, 292, 311,
312, 315

FIG. 2 is a front side elevation view thereof;

FIG. 3 is a rear side elevation view thereof;

FIG. 4 is a left side elevation view thereof;

FIG. 5 is a right side elevation view thereof;

FIG. 6 is a top plan view thereof; and,

FIG. 7 is a bottom plan view thereof.

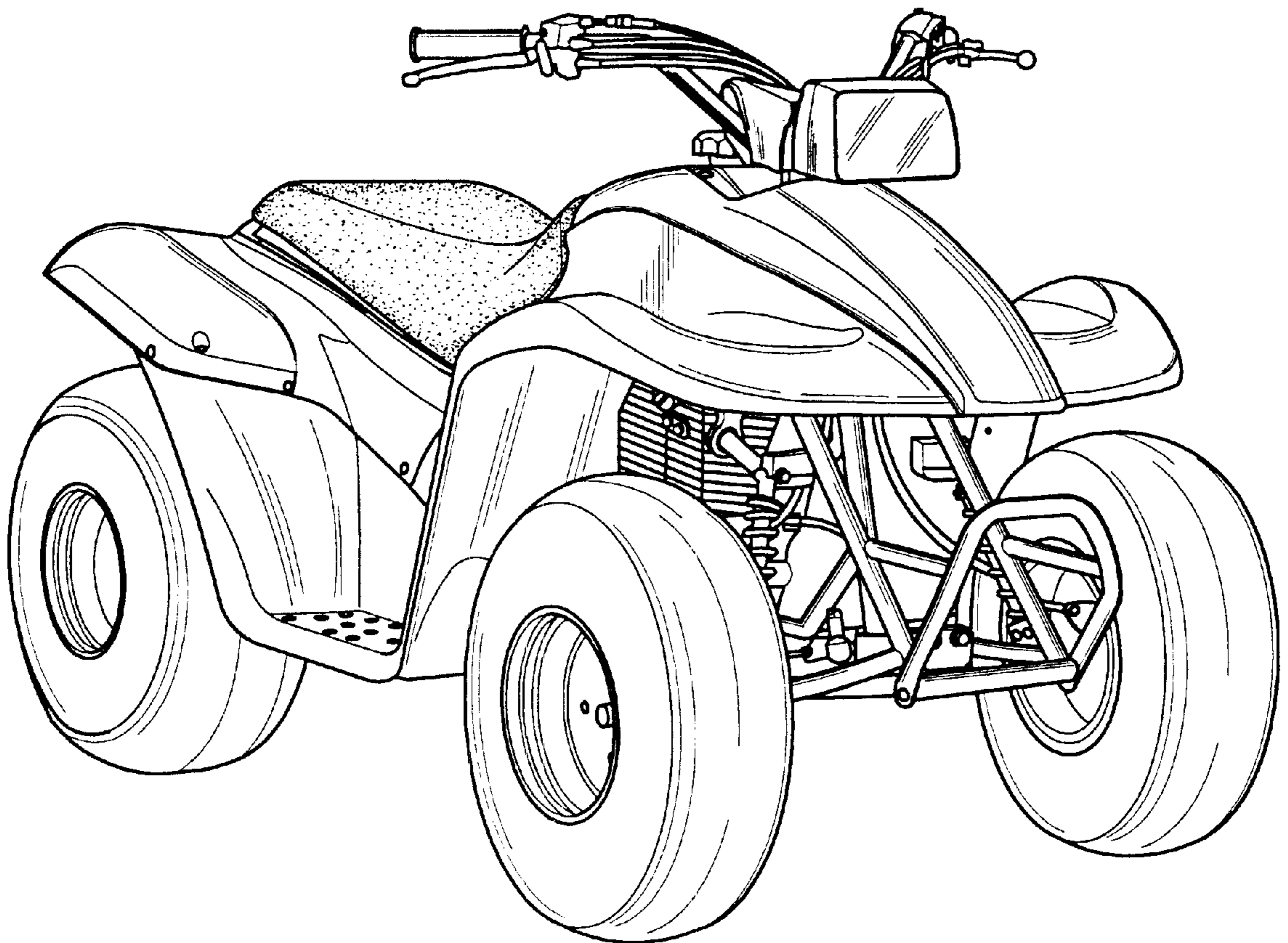
(56) **References Cited**

U.S. PATENT DOCUMENTS

D299,631 S * 1/1989 Oba et al. D12/107

D327,457 S * 6/1992 Saito D12/107

1 Claim, 7 Drawing Sheets



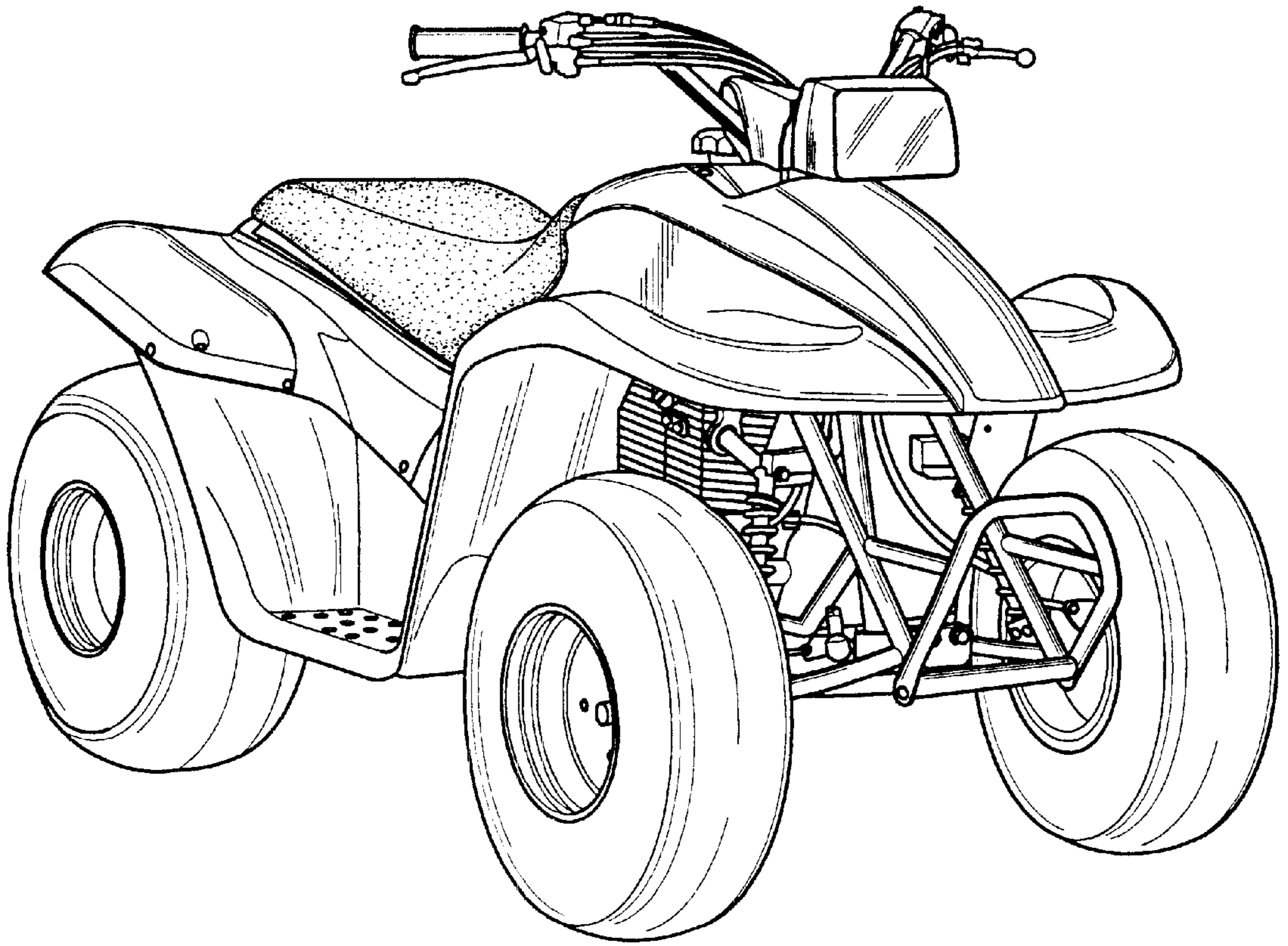


FIG. 1

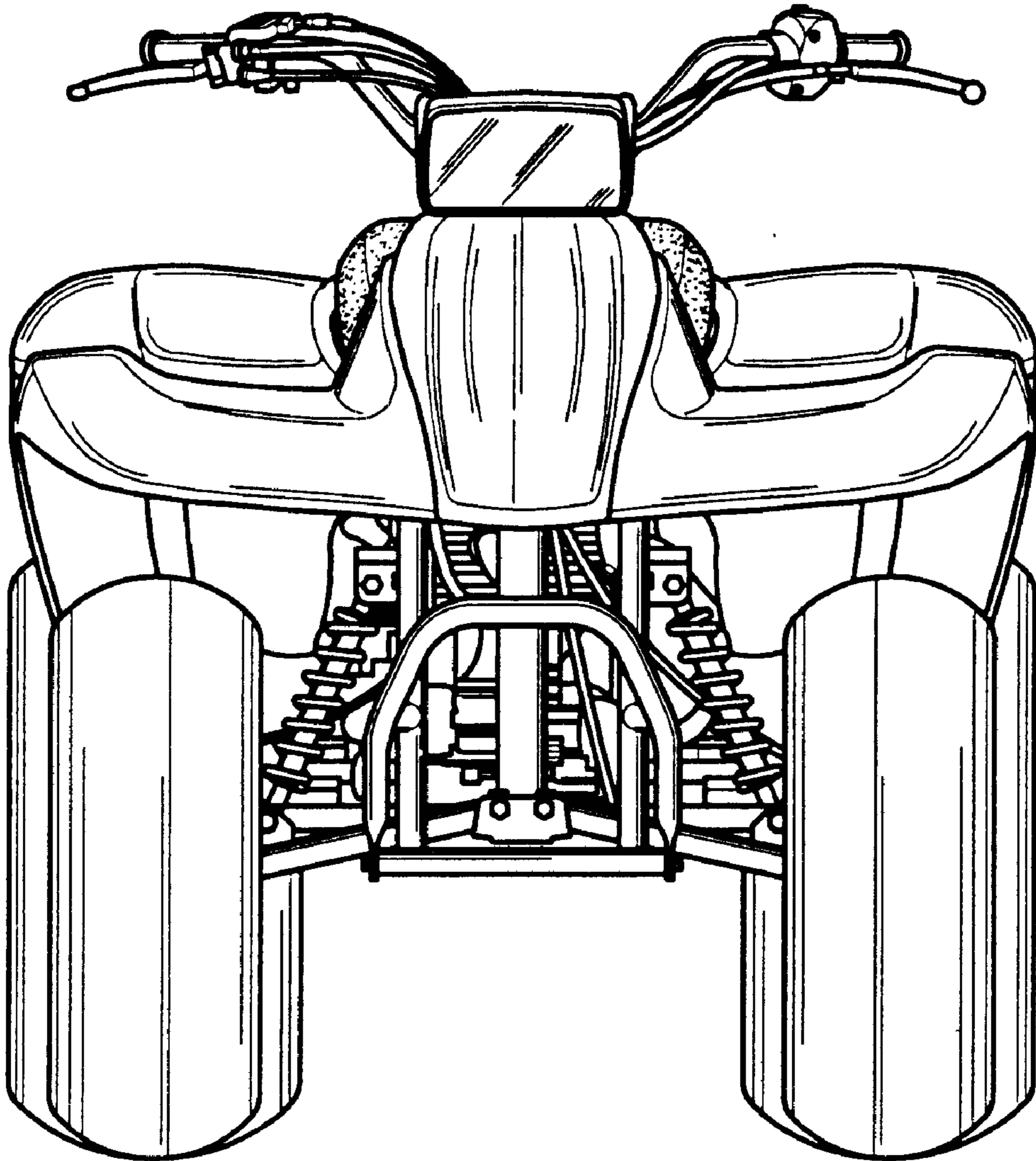


FIG. 2

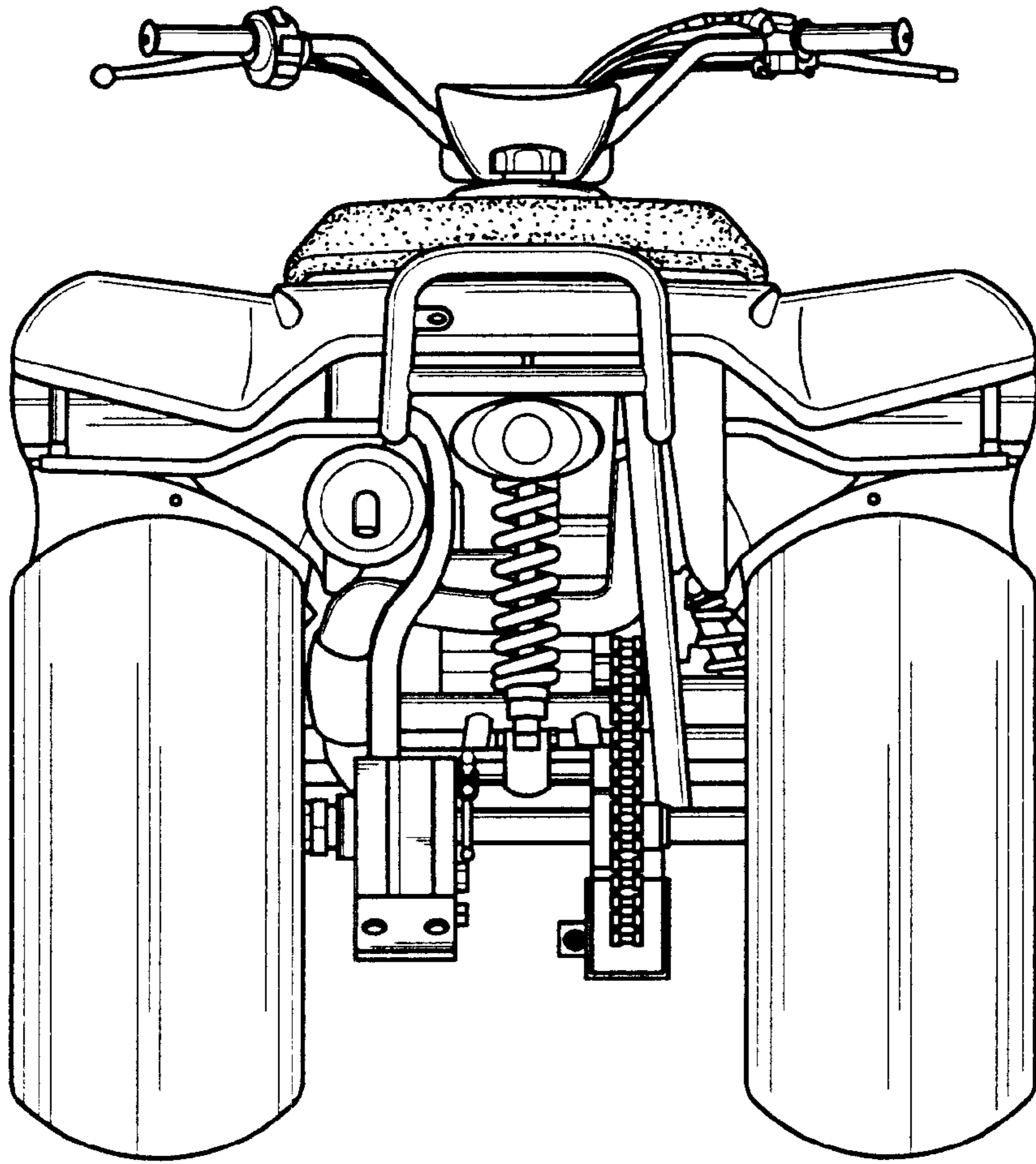


FIG. 3

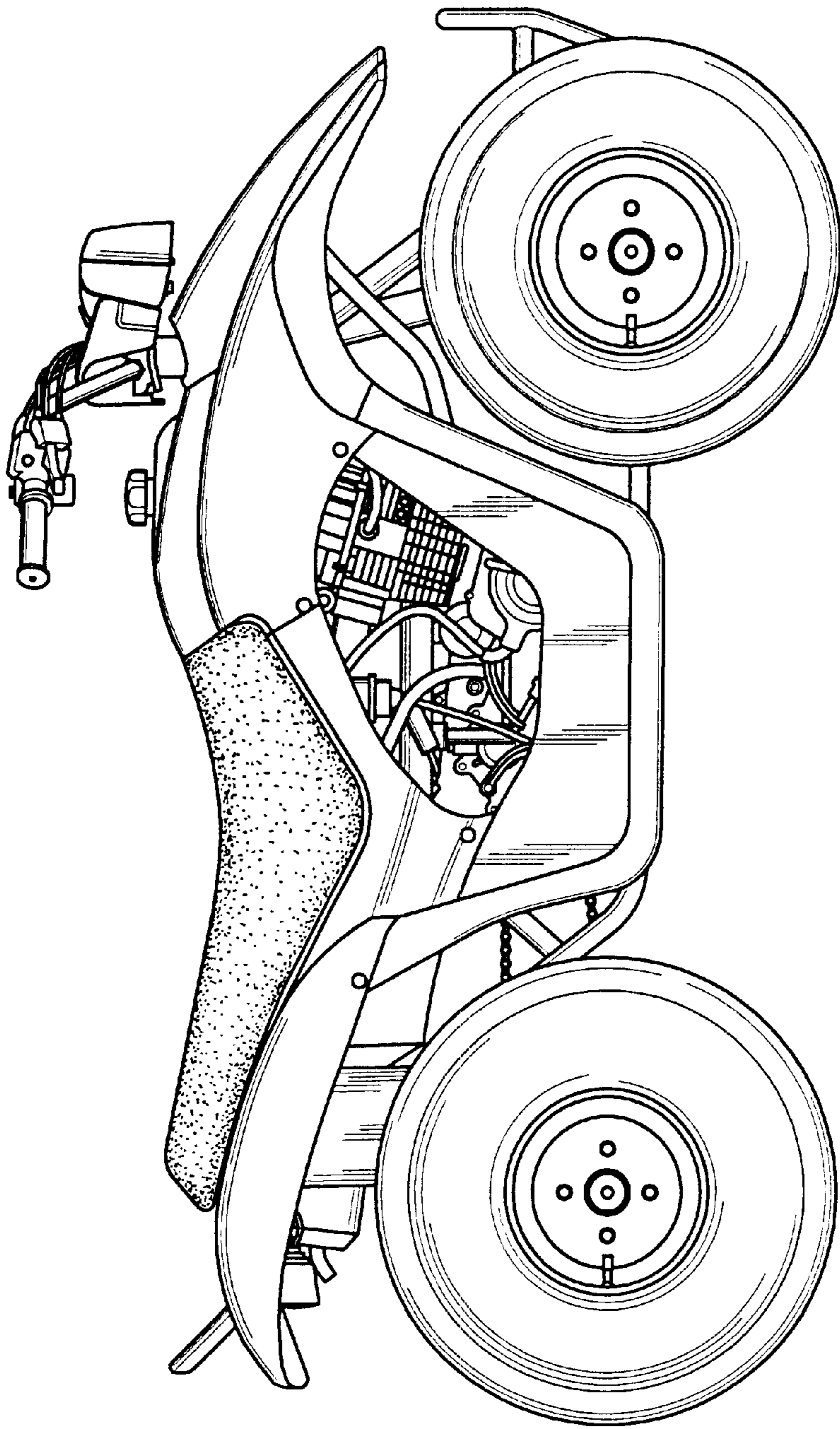


FIG.4

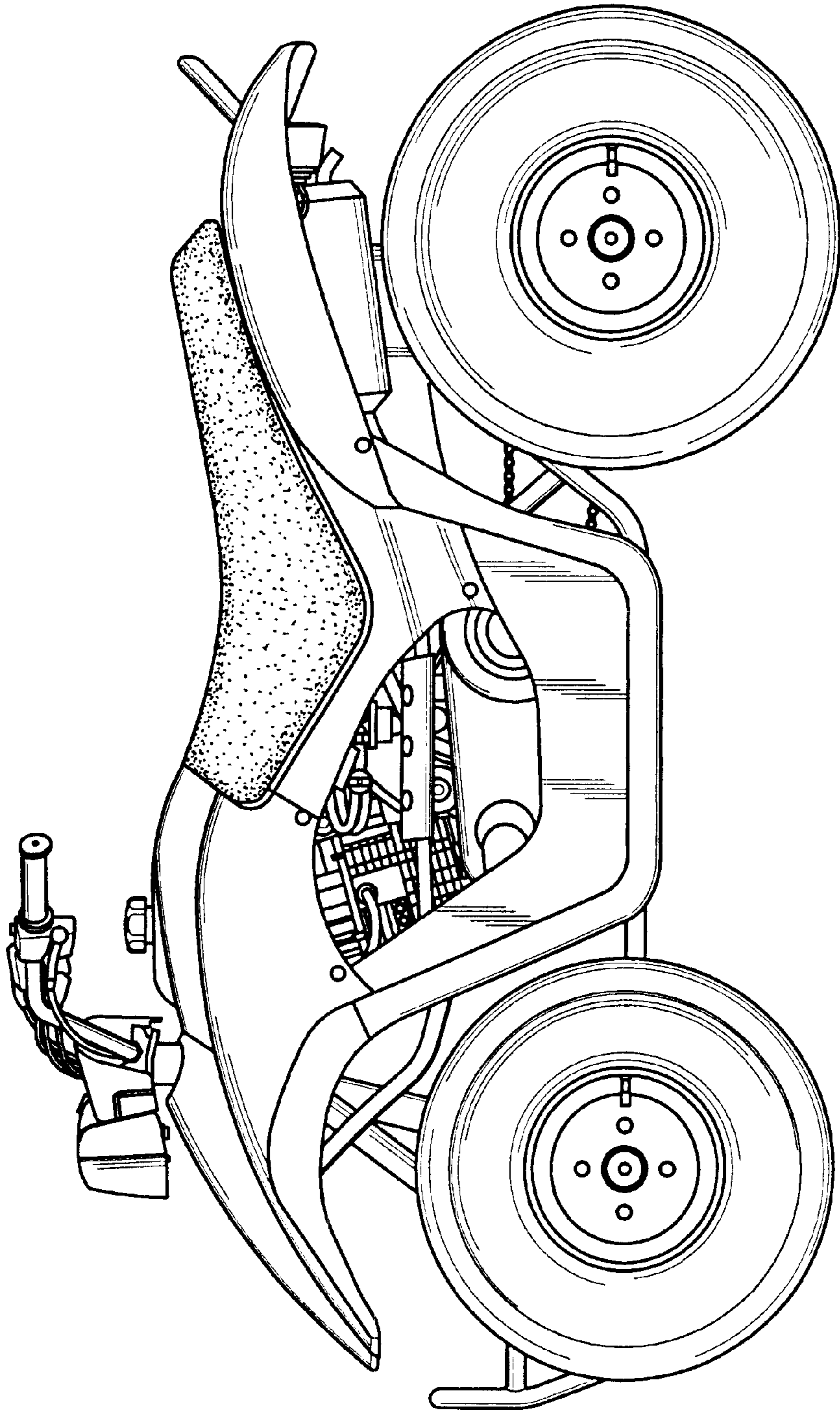


FIG. 5

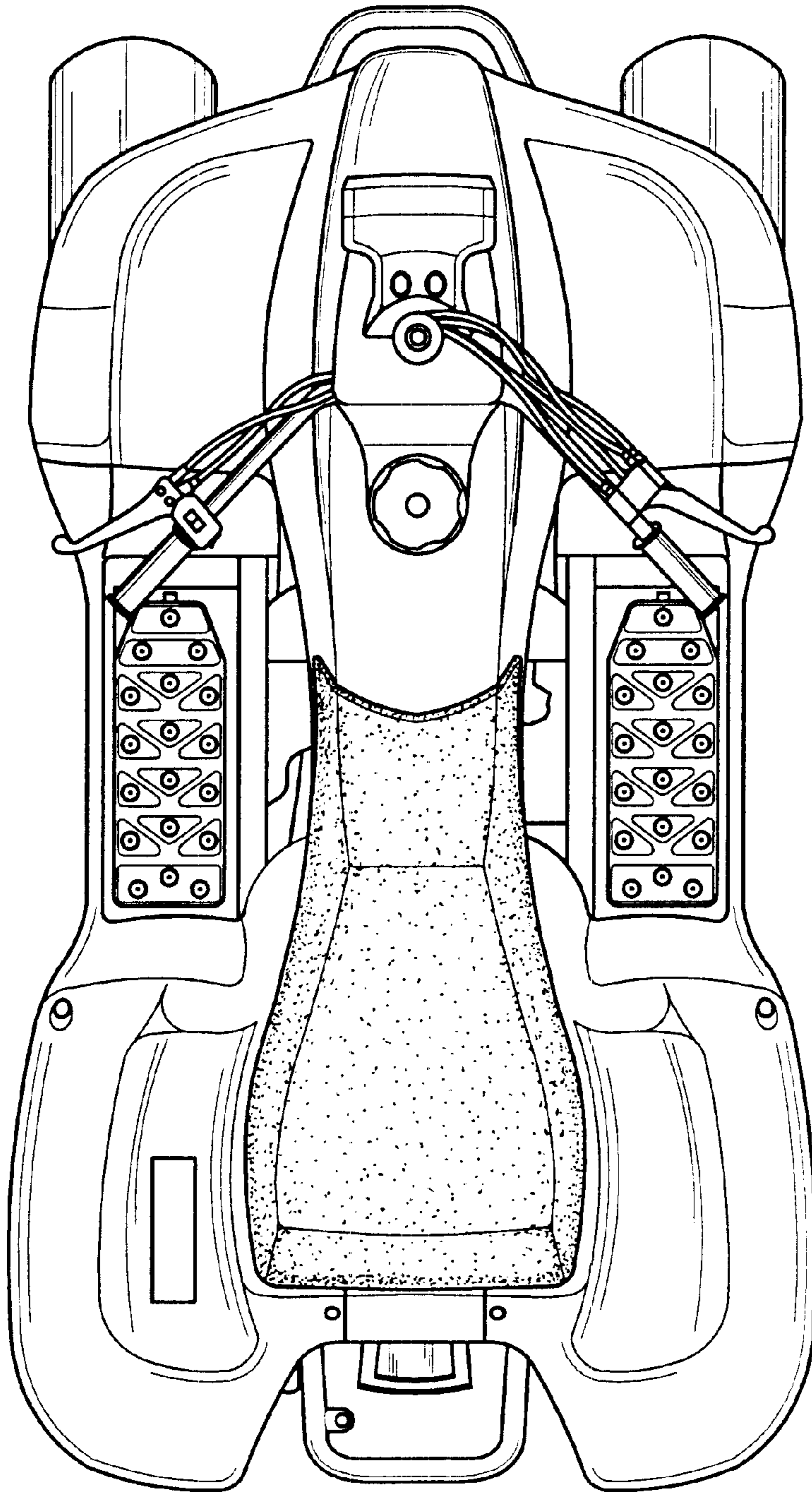


FIG. 6

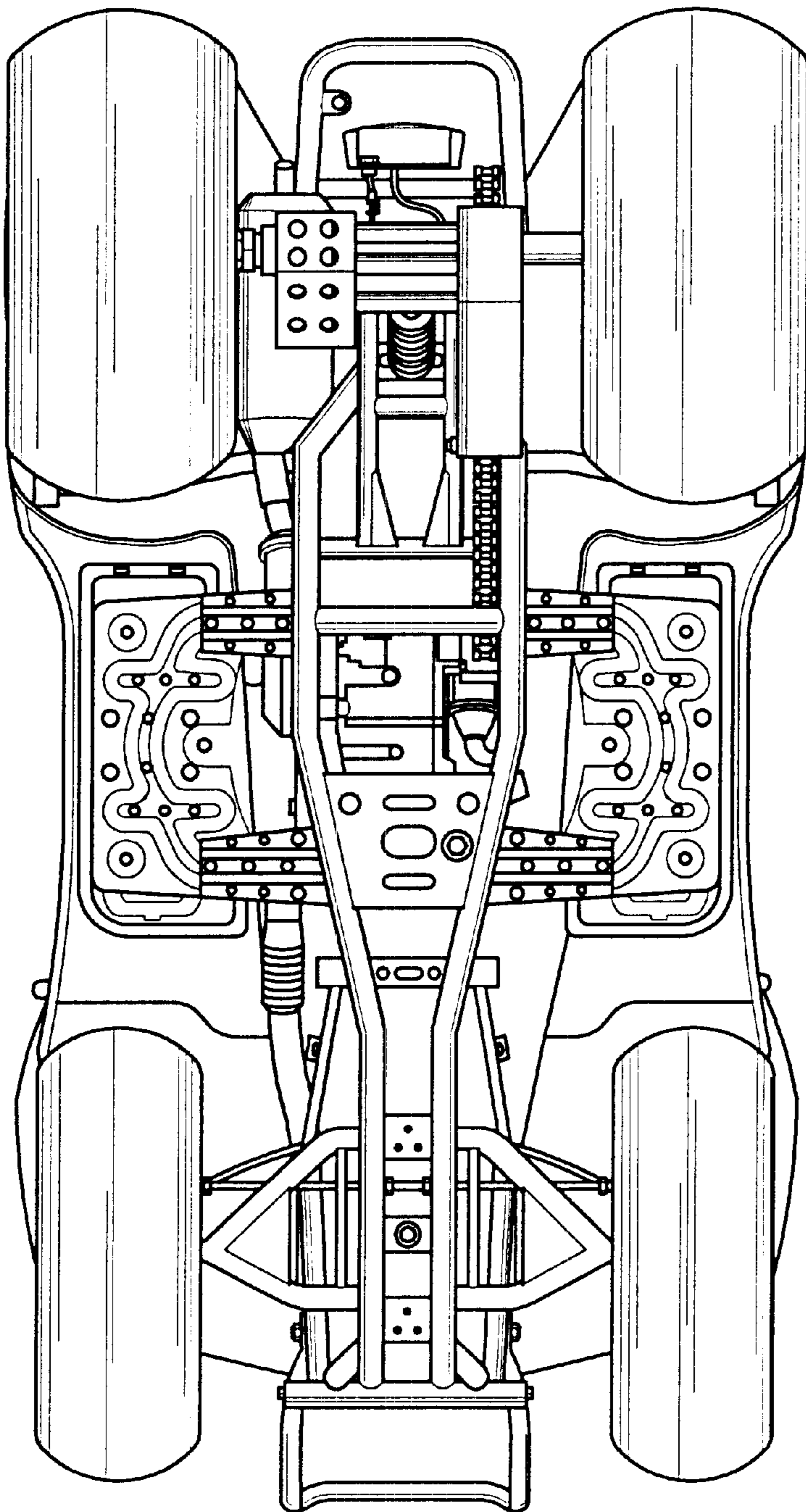


FIG. 7