



US00D464290S

(12) **United States Design Patent**
Spaulding

(10) **Patent No.:** **US D464,290 S**

(45) **Date of Patent:** **** Oct. 15, 2002**

(54) **MOTORBIKE TRAILER**

D377,633 S * 1/1997 Hutchins D12/102

(76) Inventor: **Michael Spaulding**, 17263 Deer
Meadow Ave., Baton Rouge, LA (US)
70816

* cited by examiner

(**) Term: **14 Years**

Primary Examiner—Melody N. Brown
(74) *Attorney, Agent, or Firm*—Roy, Kiesel, Keegan &
DeNicola

(21) Appl. No.: **29/151,168**

(57) **CLAIM**

(22) Filed: **Nov. 20, 2001**

The ornamental design for a motorbike trailer, as shown.

(51) **LOC (7) Cl.** **12-11**

DESCRIPTION

(52) **U.S. Cl.** **D12/102; D12/83**

(58) **Field of Search** D12/102, 83; 296/24.1,
296/22, 21, 181, 156; 280/402, 656, 209

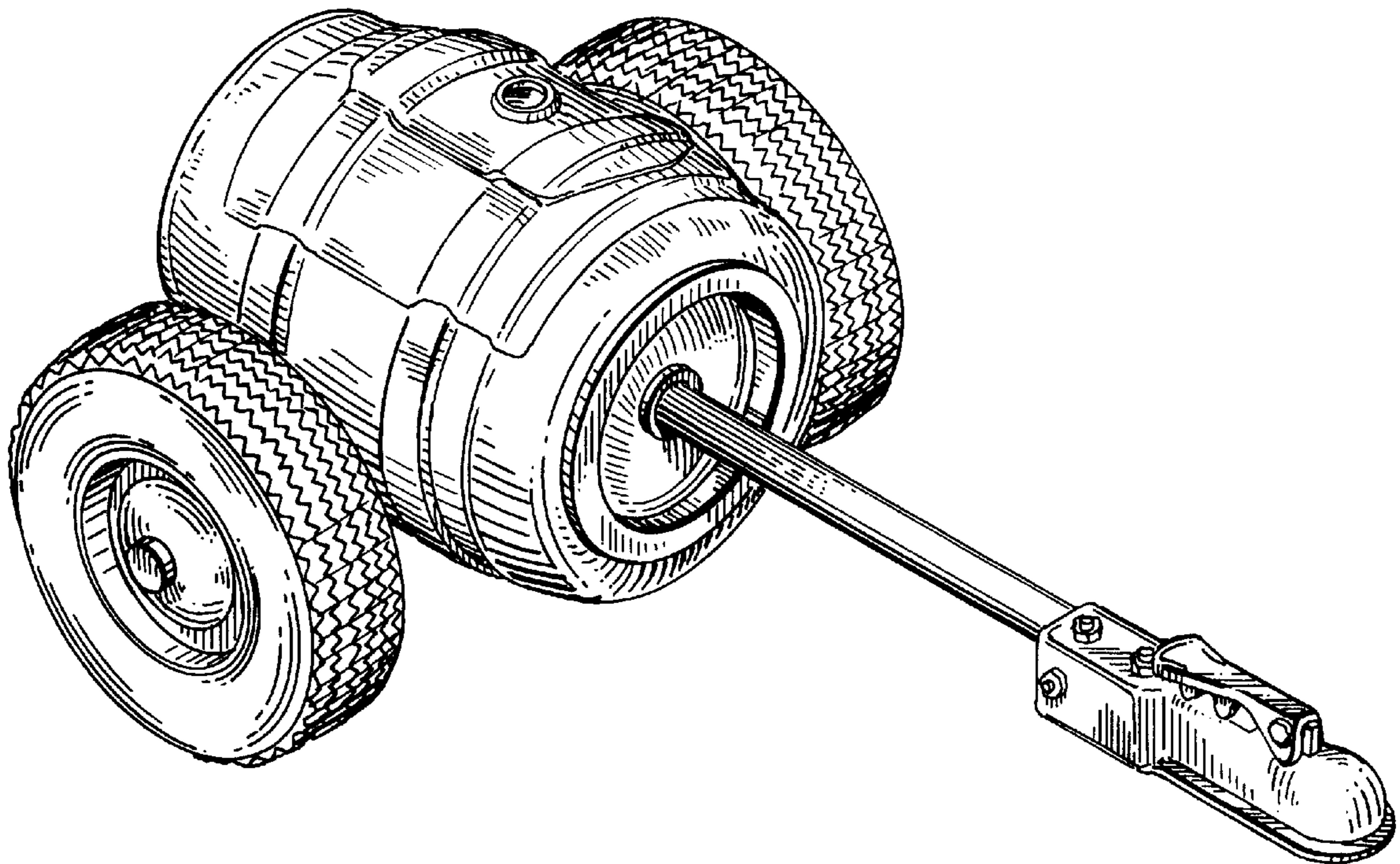
FIG. 1 is a side view of the motorbike trailer.
FIG. 2 is the opposite side view of the motorbike trailer.
FIG. 3 is a top view of the motorbike trailer.
FIG. 4 is a bottom view of the motorbike trailer.
FIG. 5 is a front view of the motorbike trailer.
FIG. 6 is a back view of the motorbike trailer; and,
FIG. 7 is a three-quarter perspective view of the motorbike
trailer.

(56) **References Cited**

U.S. PATENT DOCUMENTS

- D266,833 S * 11/1982 Wharton D12/83
- D284,954 S * 8/1986 Lamb D12/83
- D309,124 S * 7/1990 Young D12/102
- D373,100 S * 8/1996 Carter D12/102

1 Claim, 4 Drawing Sheets



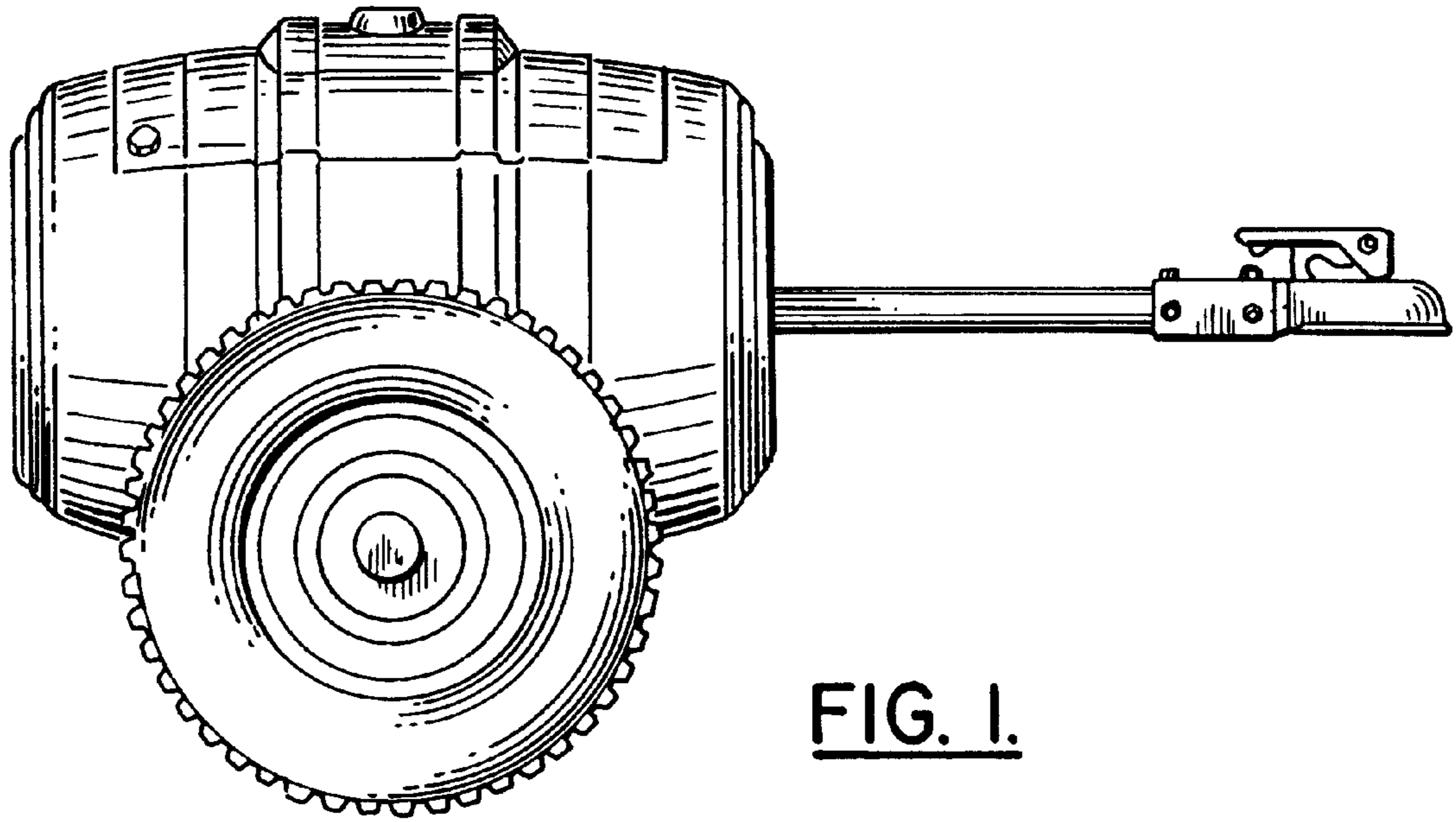


FIG. 1.

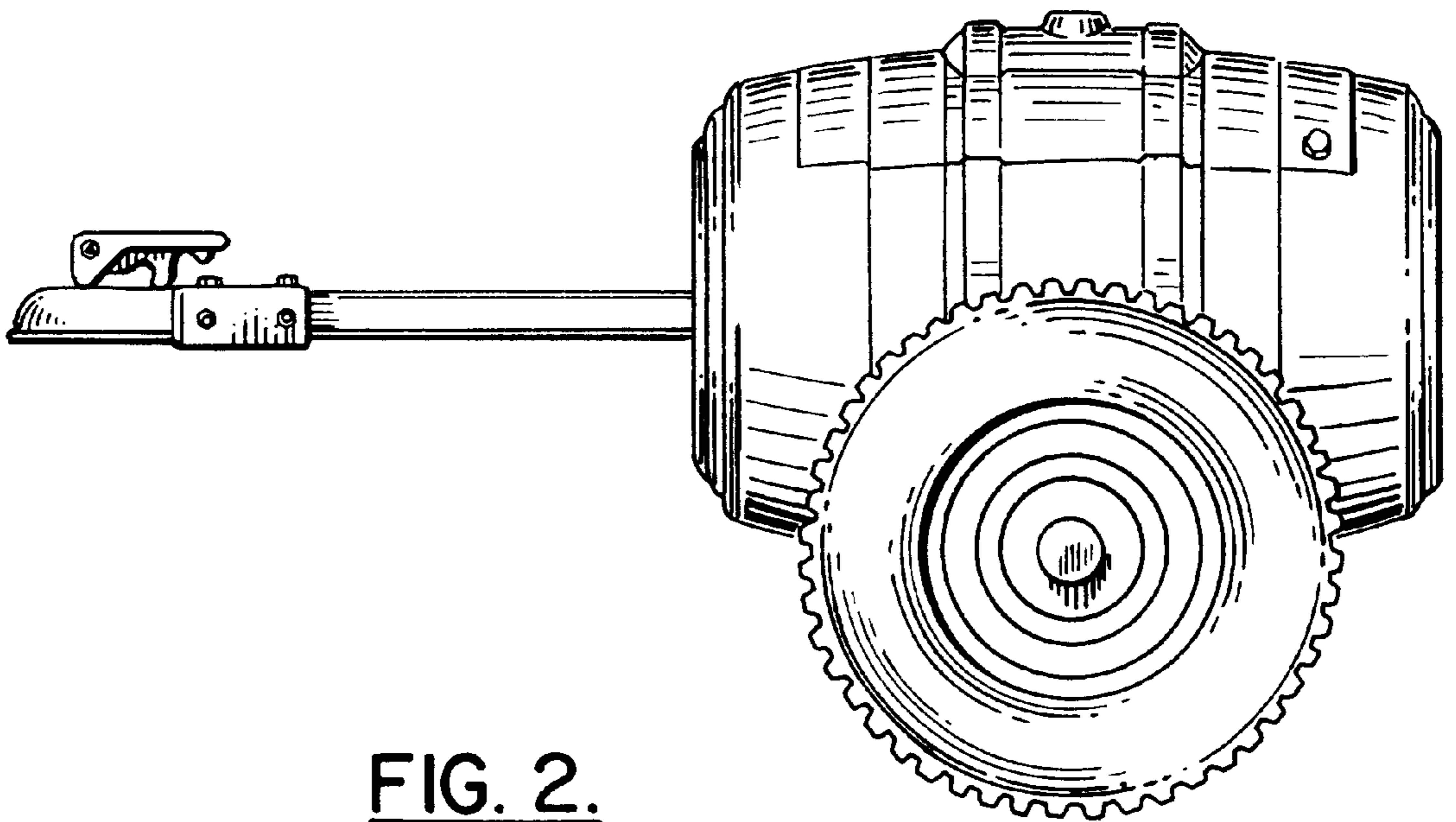


FIG. 2.

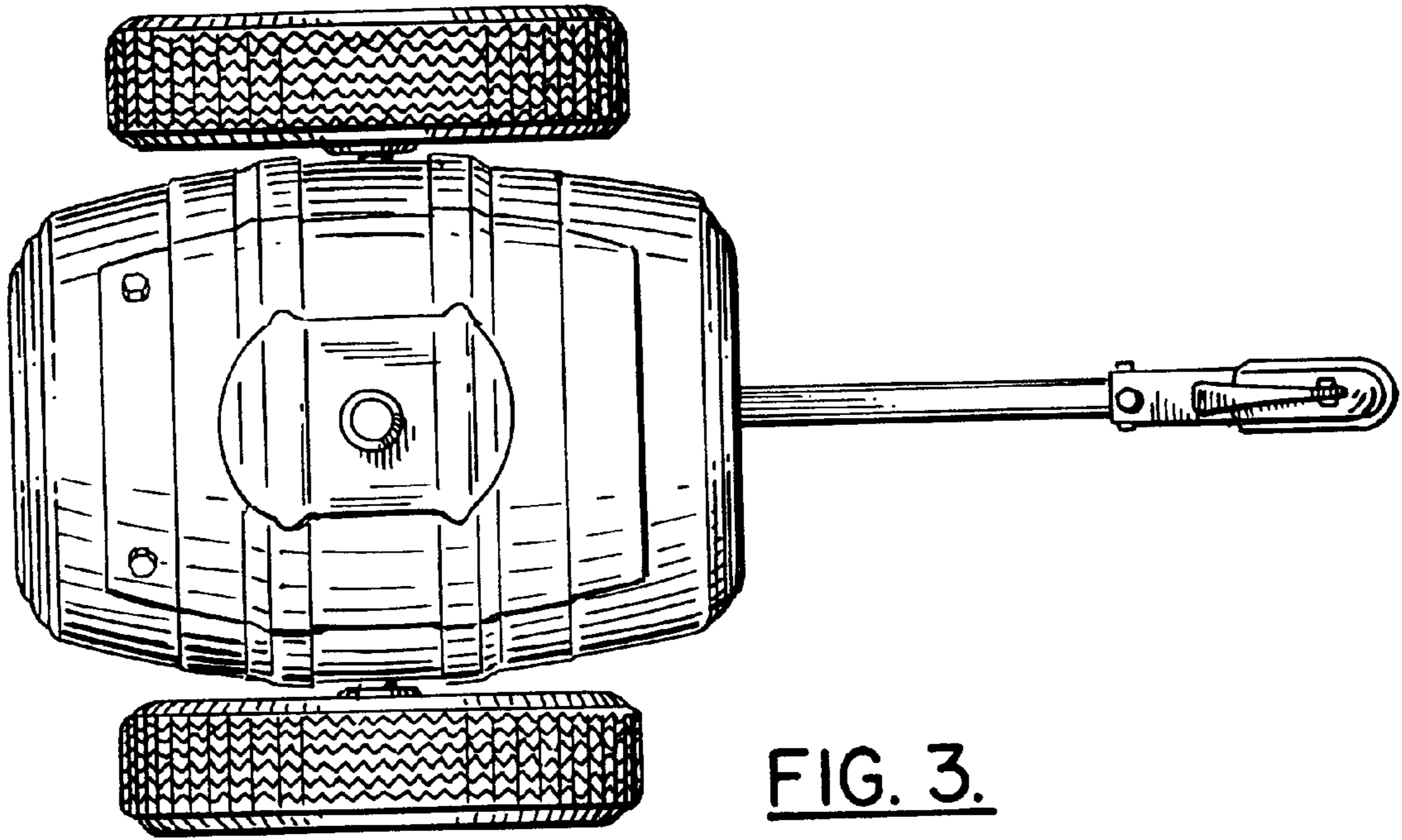


FIG. 3.

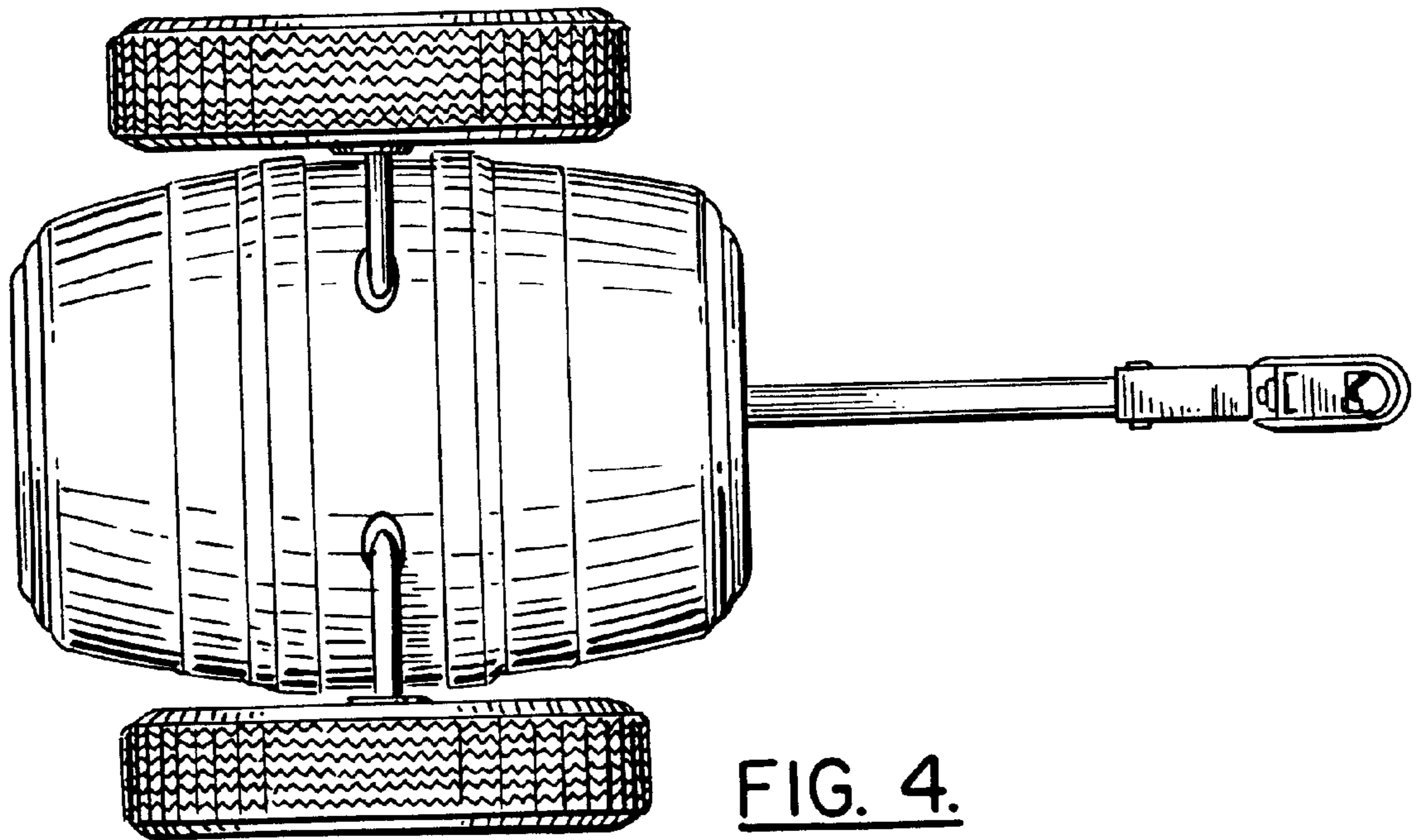


FIG. 4.

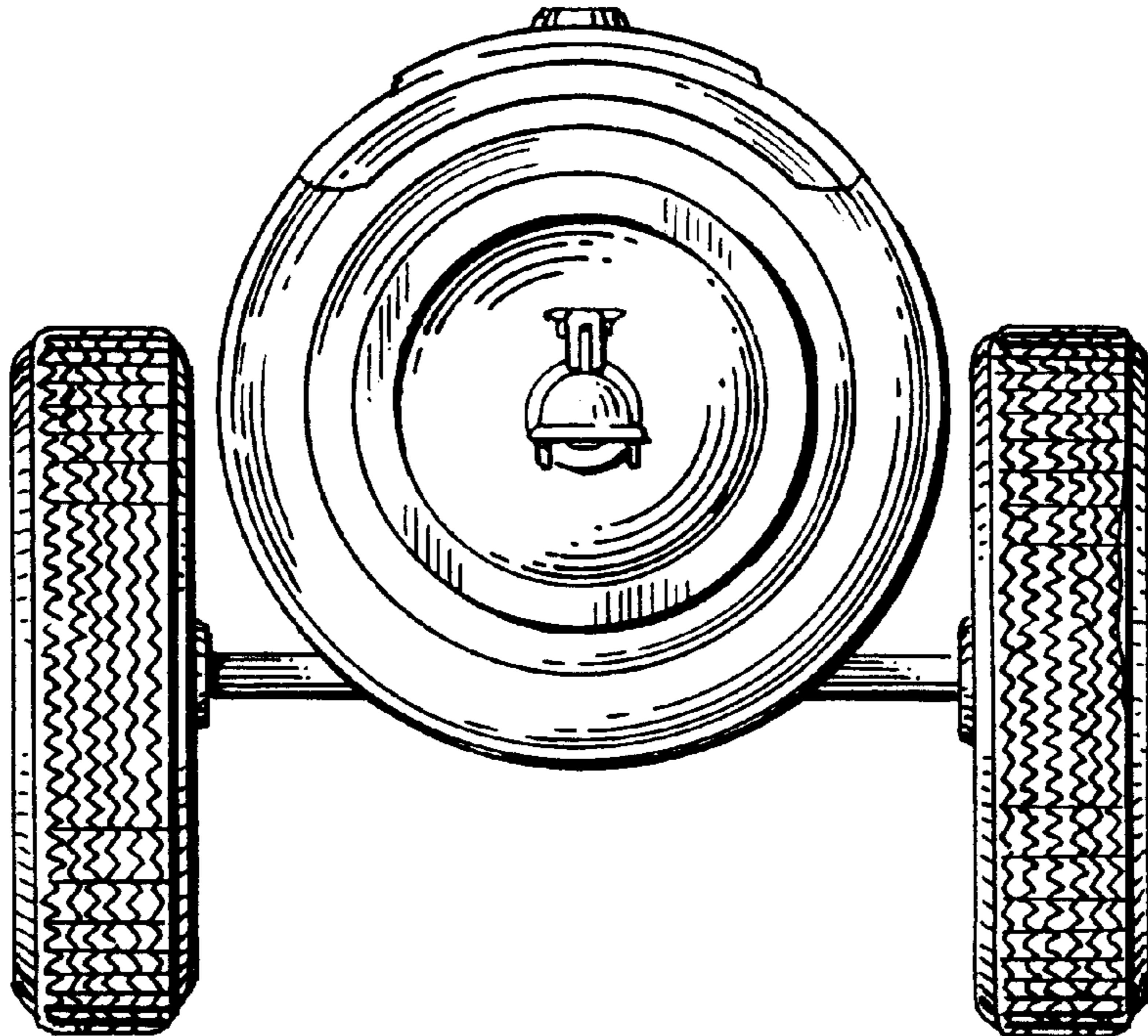


FIG. 5.

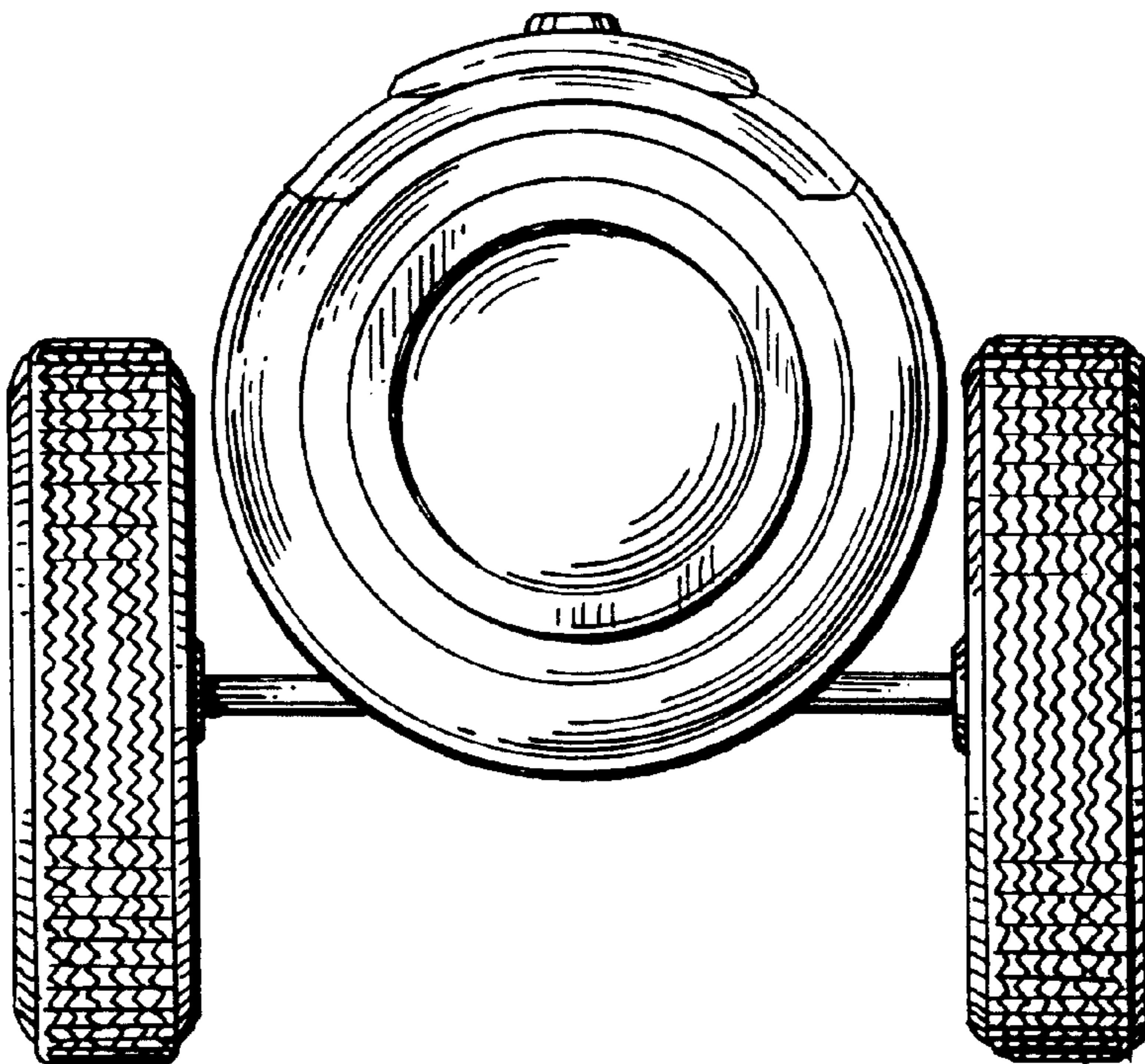


FIG. 6.

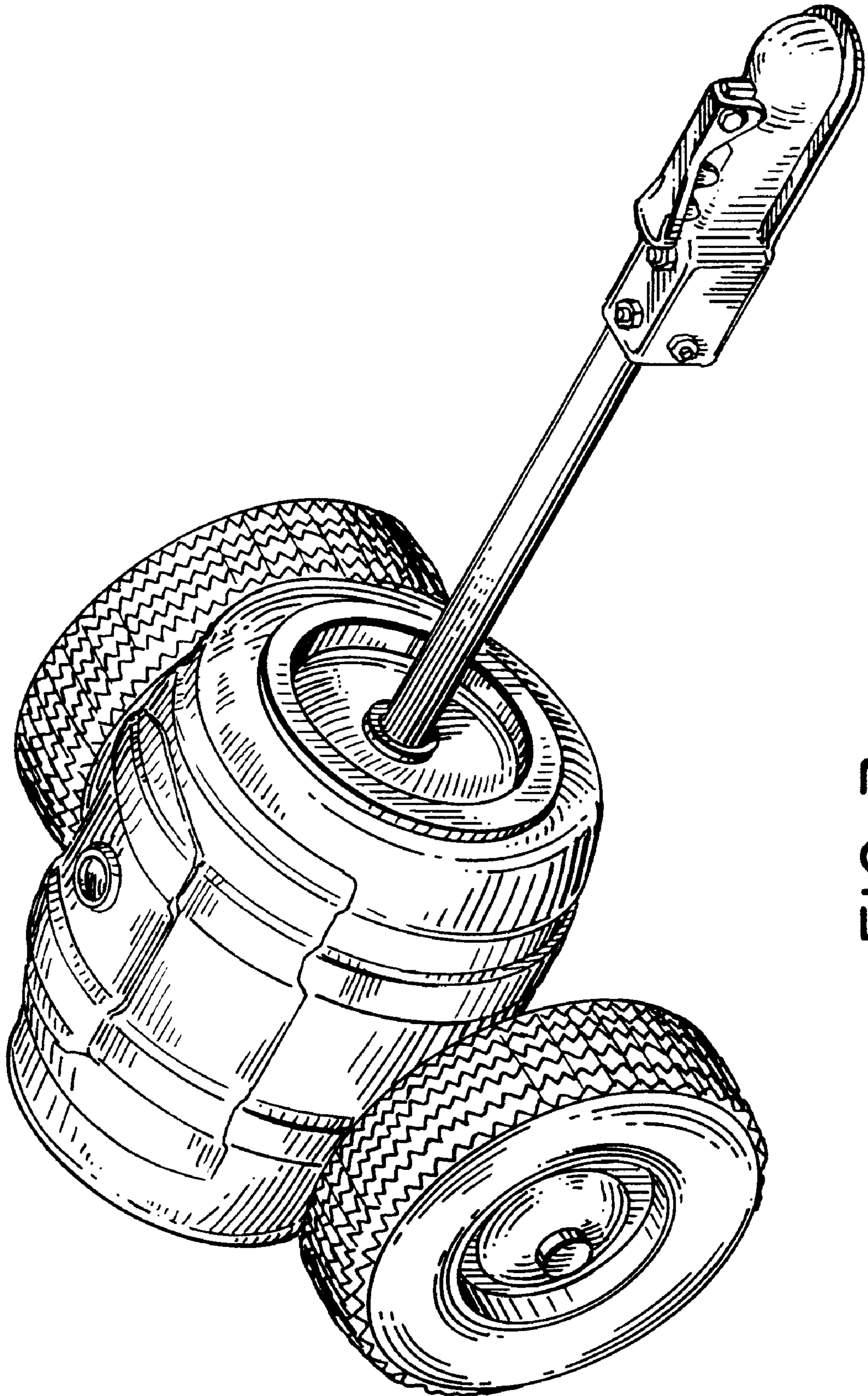


FIG. 7.