

US00D464287S

(12) **United States Design Patent**
Potter et al.

(10) **Patent No.:** **US D464,287 S**

(45) **Date of Patent:** **** Oct. 15, 2002**

(54) **LOCKET**

(76) Inventors: **Roberta Potter**, 3087 NE. 183 La.,
Aventura, FL (US) 33160; **Barry**
Potter, 3087 NE. 183 La., Aventura, FL
(US) 33160

(**) **Term:** **14 Years**

(21) **Appl. No.:** **29/147,976**

(22) **Filed:** **Sep. 13, 2001**

(51) **LOC (7) Cl.** **11-01**

(52) **U.S. Cl.** **D11/91**

(58) **Field of Search** D11/1, 2, 7, 11,
D11/14, 40, 41, 43, 144, 47, 48, 49, 53,
55, 62-63, 65-66, 68, 69, 70, 72, 73, 75,
76, 77, 79-85, 95-97, 99-101, 103, 108,
110, 112, 115; D3/211; 63/1.11, 1.14, 12,
13, 14.1, 18-20, 23

(56) **References Cited**

U.S. PATENT DOCUMENTS

919,983 A *	4/1909	Walsh	63/18
D62,875 S	8/1923	Benson	
1,655,341 A	1/1928	Snellgrove	
1,838,489 A *	12/1931	Kirshner	63/1.14
2,129,491 A	9/1938	Chilson	
2,255,999 A	9/1941	Kuehner	
D136,753 S *	11/1943	Lyon	D11/79
D139,767 S	12/1944	Davidson	

D247,881 S	5/1978	Hitchens	
D263,571 S	3/1982	Beier	
D302,957 S	8/1989	Saxon	
4,984,683 A *	1/1991	Eller	63/1.11
D343,140 S *	1/1994	Sperandio	D11/81
5,291,755 A *	3/1994	Grant	63/23
D382,223 S	8/1997	Harrison	
D398,773 S *	9/1998	Huang	D3/208

* cited by examiner

Primary Examiner—Ralf Seifert

(74) *Attorney, Agent, or Firm*—Stephen R. Greiner

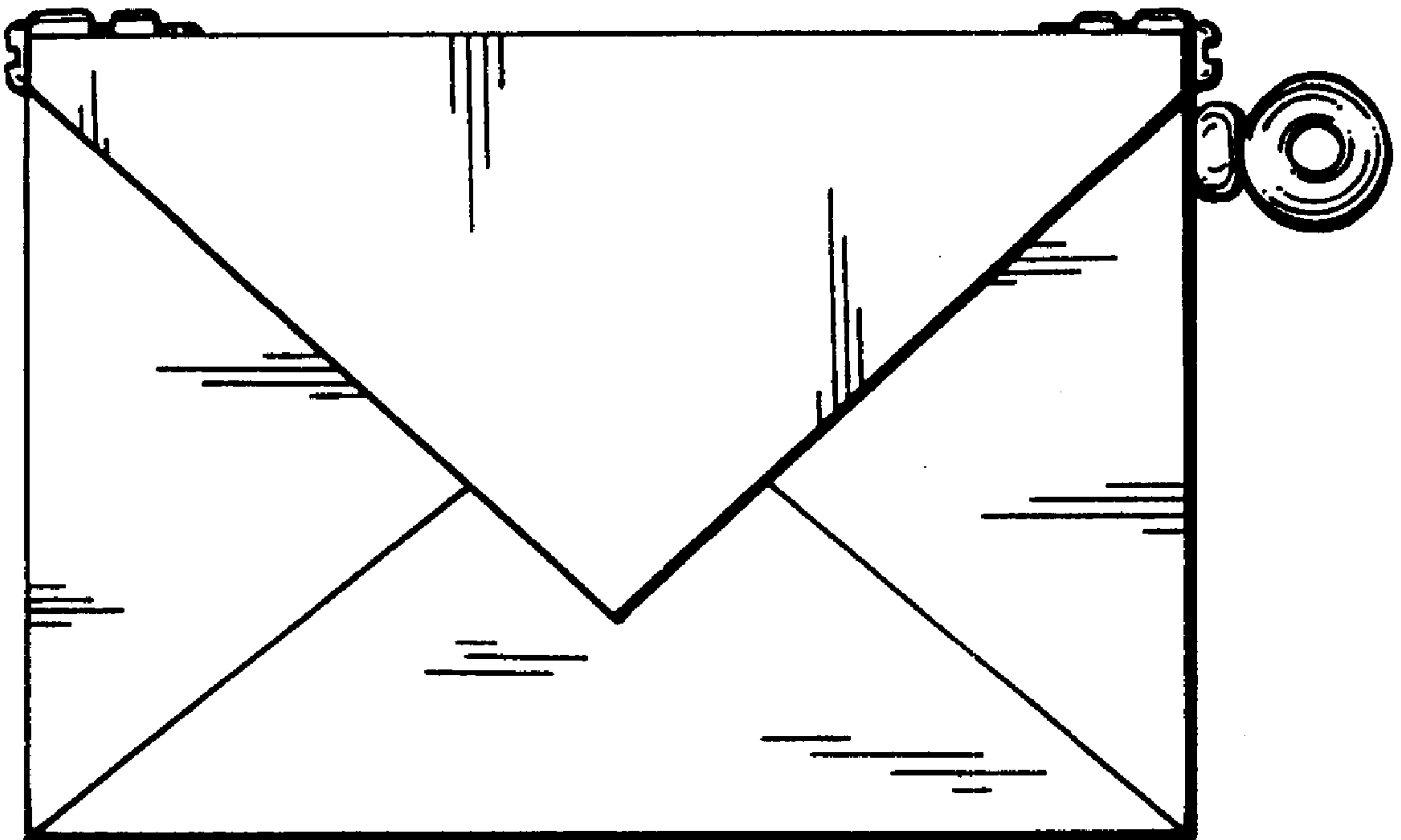
(57) **CLAIM**

The ornamental design for a locket, as shown and described.

DESCRIPTION

FIG. 1 is a rear elevational view of the first embodiment of a locket showing my new design;
 FIG. 2 is a front elevational view thereof;
 FIG. 3 is a top view thereof;
 FIG. 4 is a bottom view thereof;
 FIG. 5 is a perspective view thereof in an open state;
 FIG. 6 is a right side elevational view thereof;
 FIG. 7 is a left side elevational view thereof; and,
 FIG. 8 is a rear elevational view thereof in an open state.
 The front elevational view, bottom view, right side view, and left side view of the second embodiment of the locket are the same as those of the first embodiment of the locket.

1 Claim, 2 Drawing Sheets



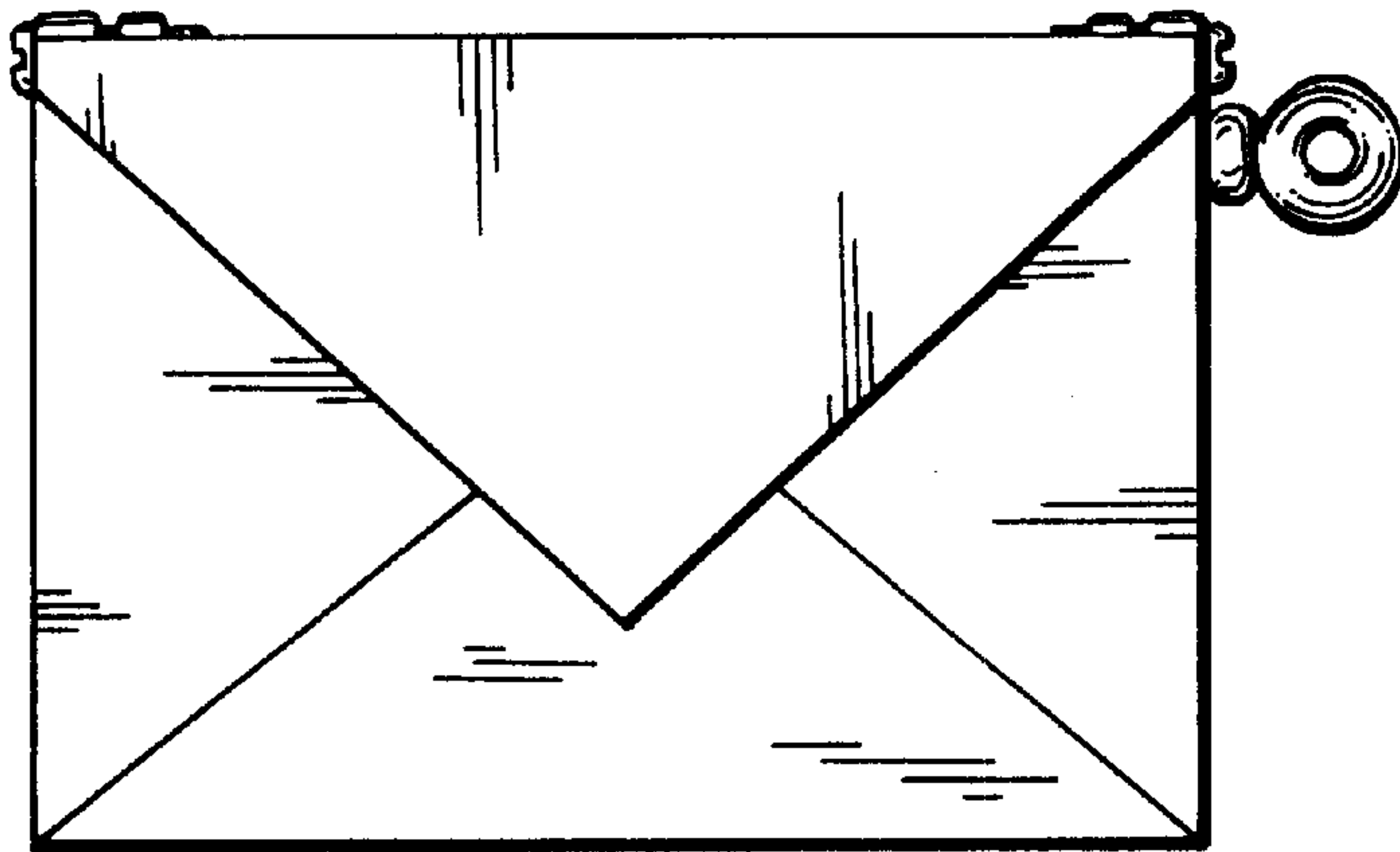


FIG. 1

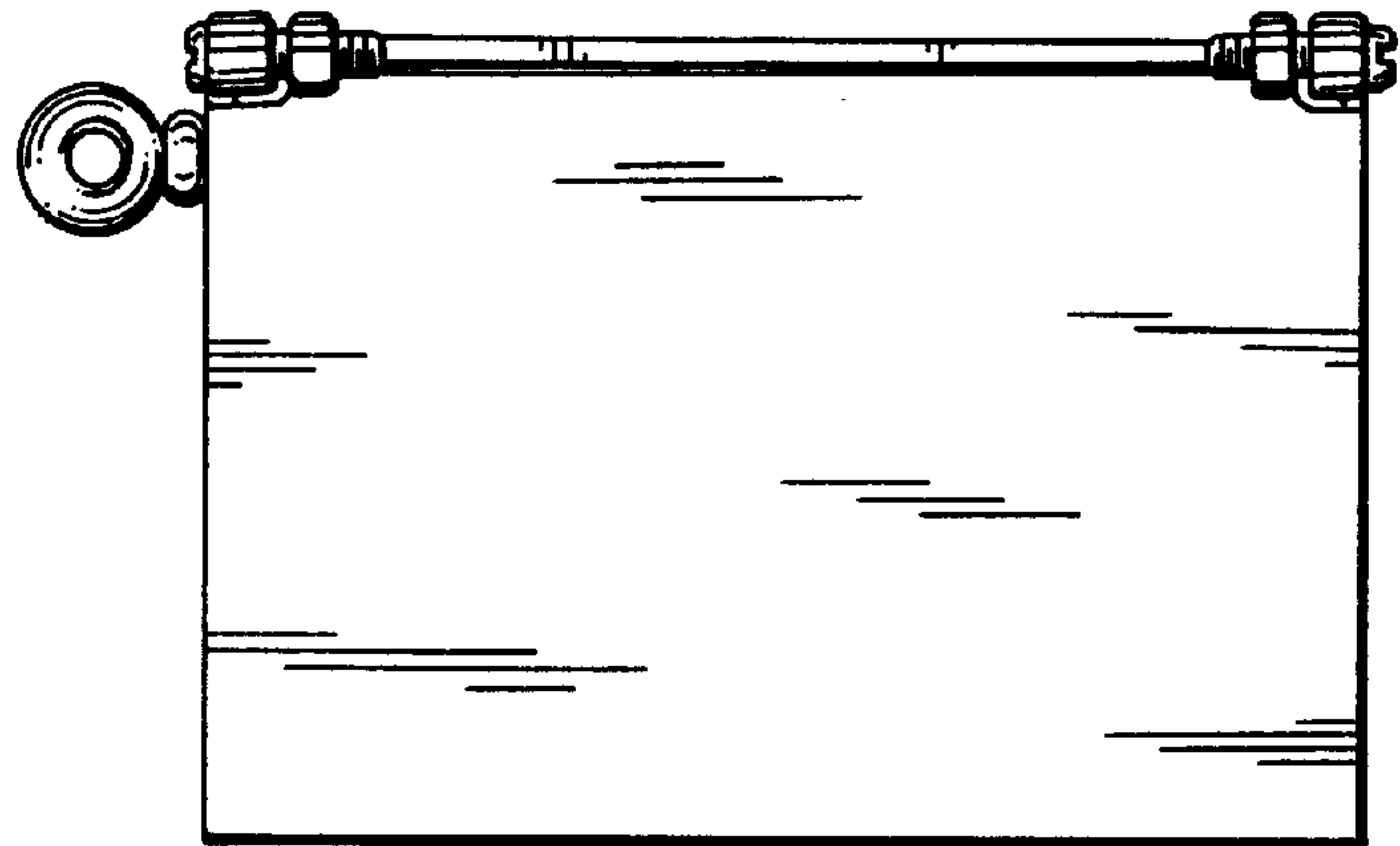


FIG. 2

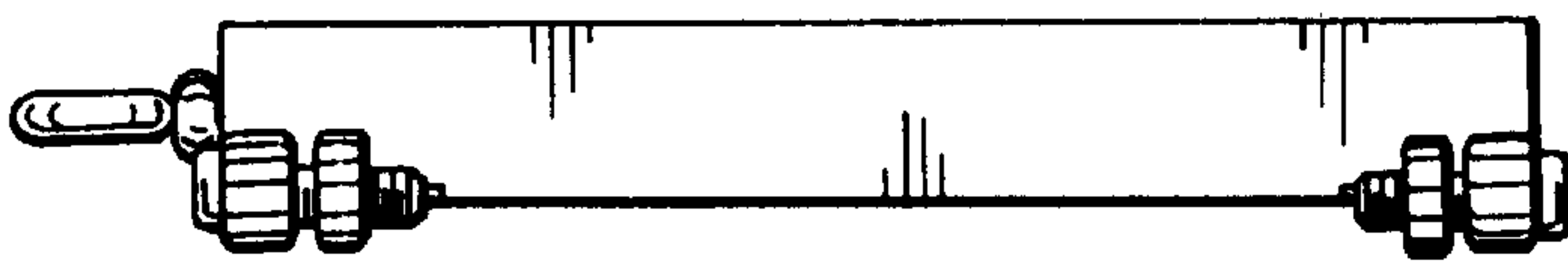


FIG. 3

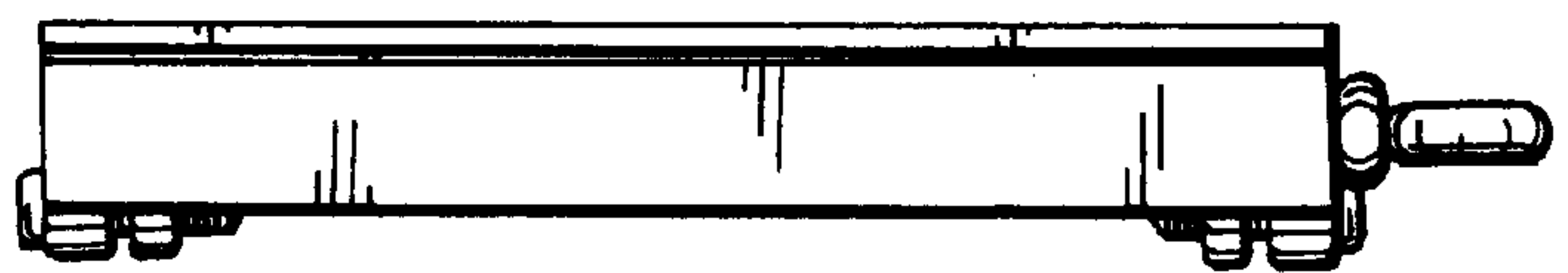


FIG. 4

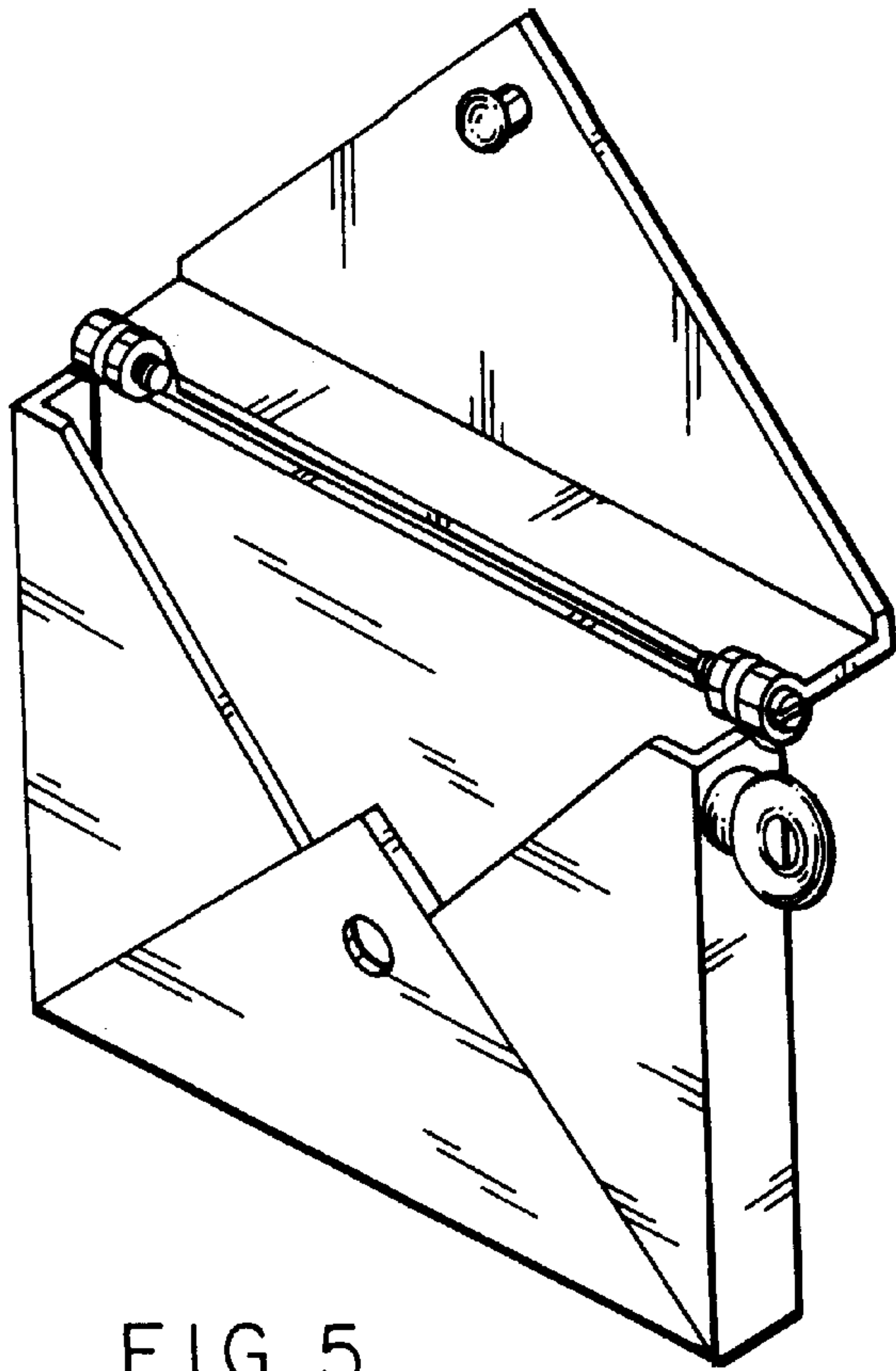


FIG. 5



FIG. 6

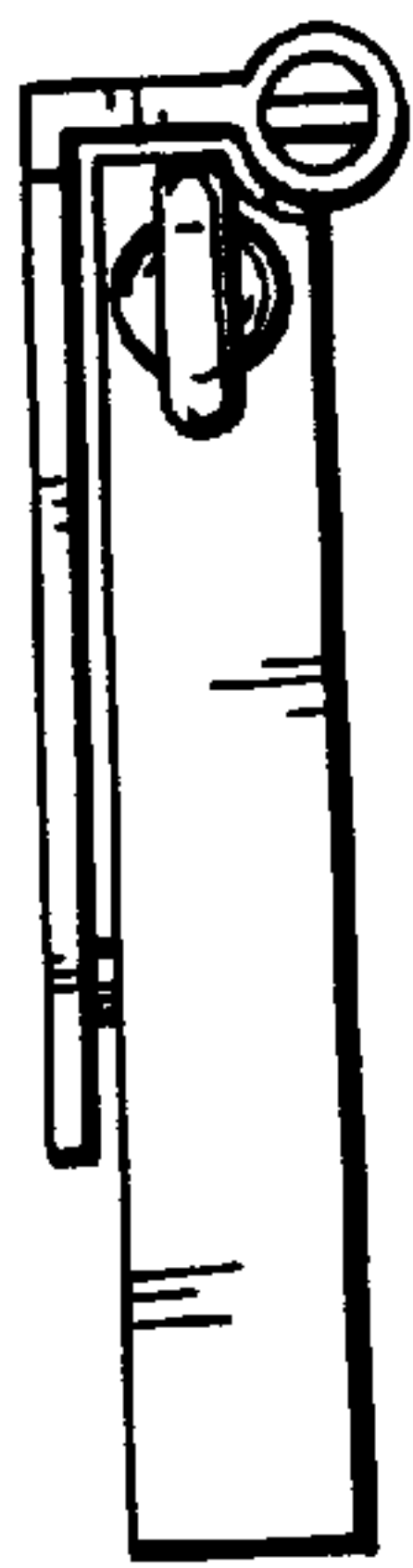


FIG. 7

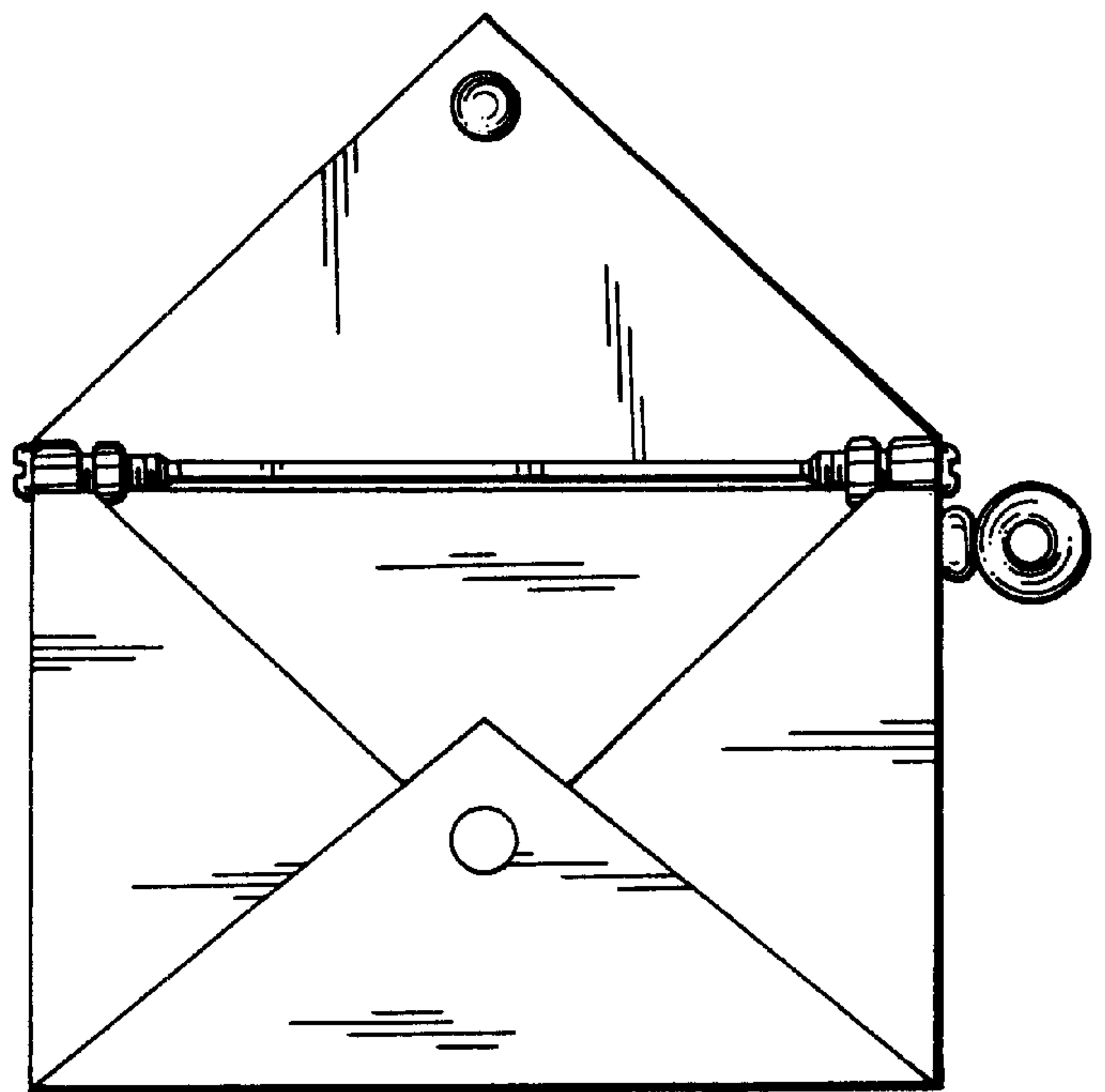


FIG. 8