



US00D464285S

(12) **United States Design Patent**
Duncan

(10) **Patent No.:** **US D464,285 S**

(45) **Date of Patent:** **** Oct. 15, 2002**

(54) **RING**

(76) **Inventor:** **Jim Duncan**, 13375 Jane Street, King City, Ontario (CA), L7B 1A3

(**) **Term:** **14 Years**

(21) **Appl. No.:** **29/149,420**

(22) **Filed:** **Oct. 11, 2001**

(51) **LOC (7) Cl.** **11-01**

(52) **U.S. Cl.** **D11/26**

(58) **Field of Search** D11/26-39, 3,
D11/4, 48, 109; 63/15, 15.1, 15.2, 15.3,
15.4, 15.45, 15.5, 15.6, 15.65, 15.7, 15.8,
15.9, 26-28, 3

(56) **References Cited**

U.S. PATENT DOCUMENTS

195,004 A	*	9/1877	Hackenberg	63/3
D86,433 S	*	3/1932	Back	D11/38
D132,573 S	*	5/1942	Landis	D11/48
D153,087 S	*	3/1949	Ritter	D11/34
D180,701 S	*	7/1957	Rose	D11/4
D192,122 S	*	1/1962	Braum	D11/4
D257,022 S	*	9/1980	Barr	D11/35
D261,244 S	*	10/1981	Scola	D11/27
D302,954 S	*	8/1989	Goldman et al.	D11/38
D438,486 S	*	3/2001	Ghemati	D11/26

OTHER PUBLICATIONS

Platinum Guild International USA catalog; Edition VII 1999; p. 11; Ring center, right of page.*

Platinum Guild International USA catalog, Edition VII; 1999; p. 143; Flag Cufflinks.*

Platinum Guild International USA catalog; Edition VII; 1999; p. 185; Ring lower right corner of page.*

* cited by examiner

Primary Examiner—Cathy Anne MacCormac
(74) *Attorney, Agent, or Firm*—Dimock Stratton Clarizio; Mark B. Eisen

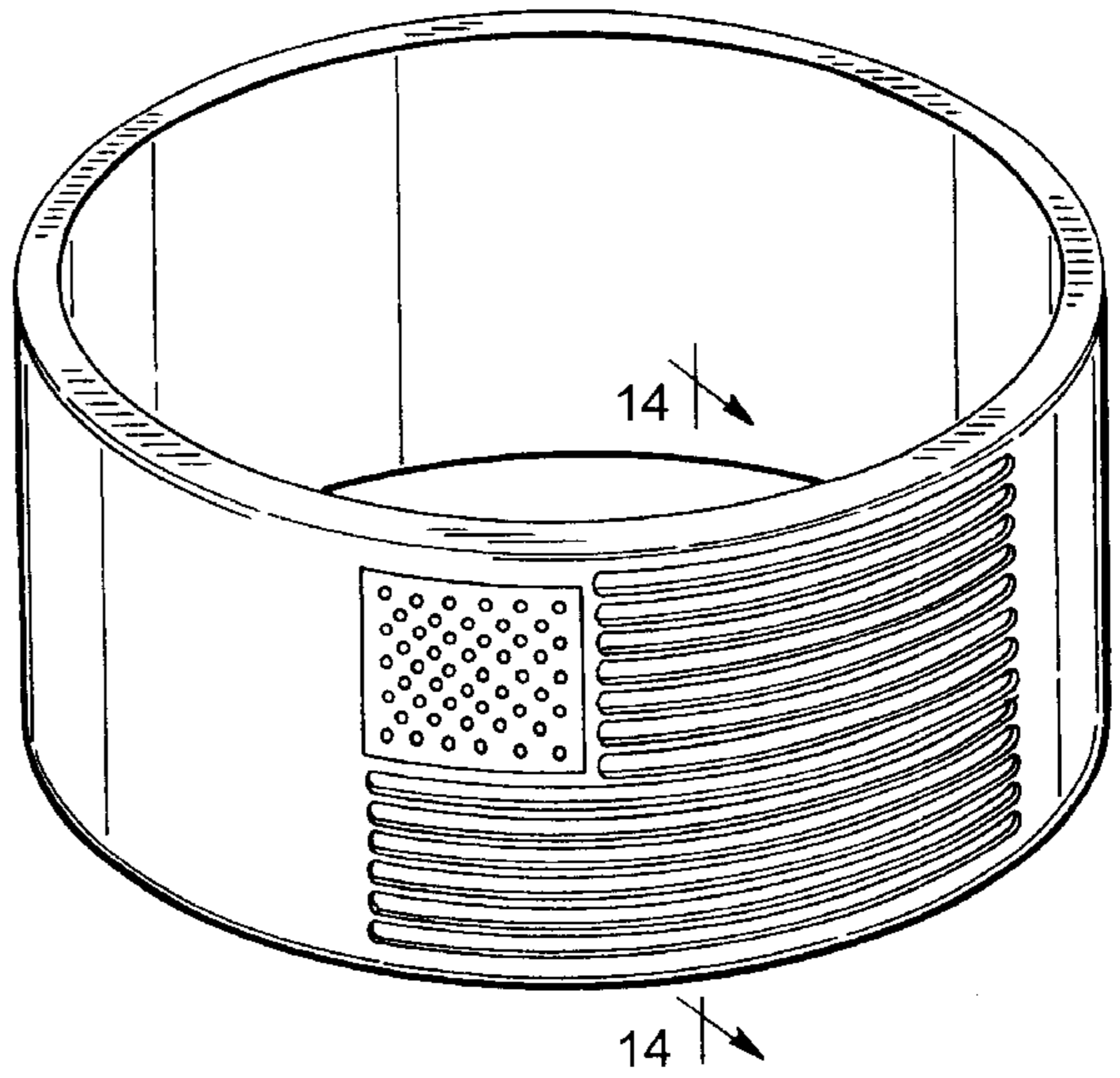
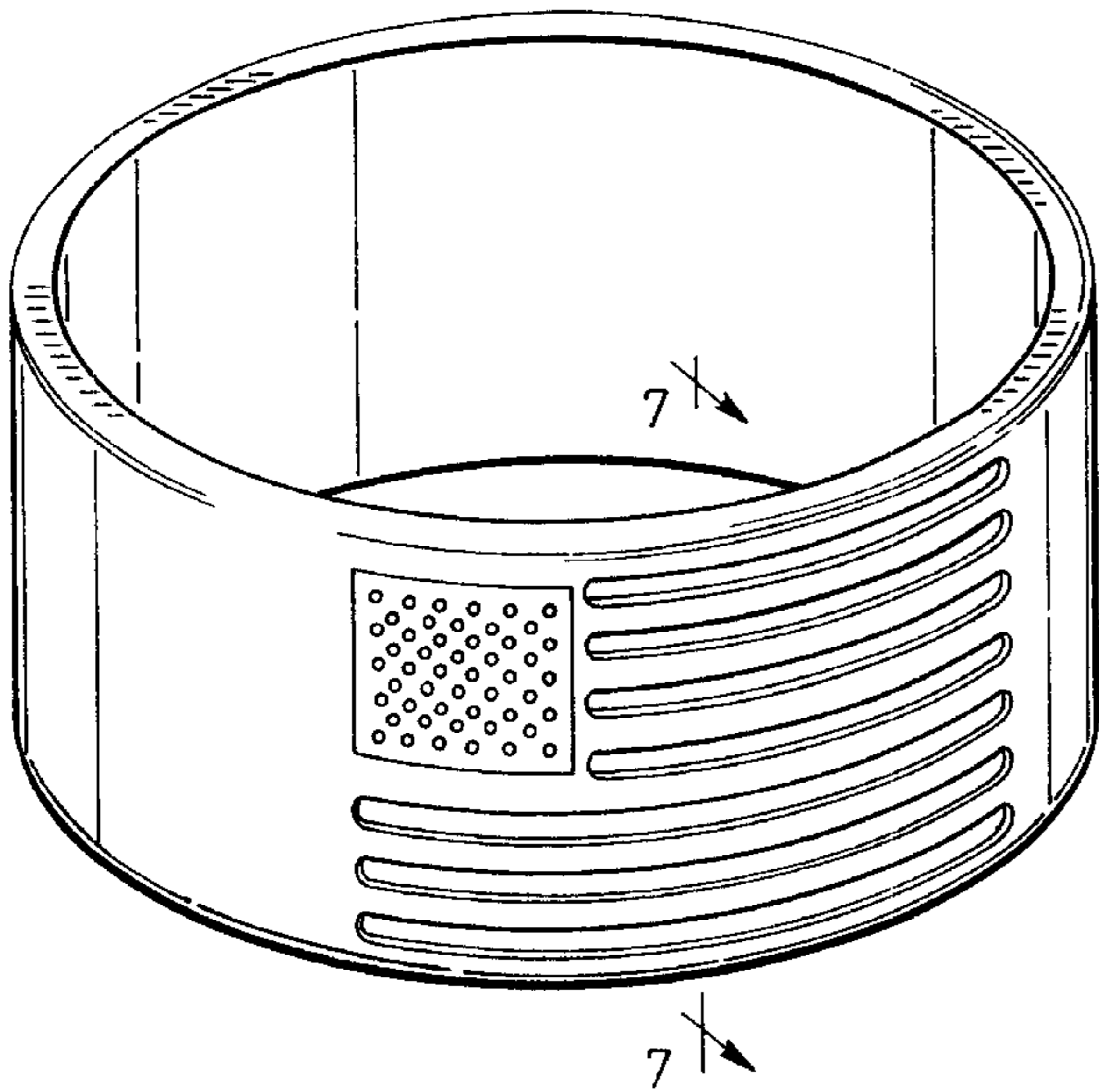
(57) **CLAIM**

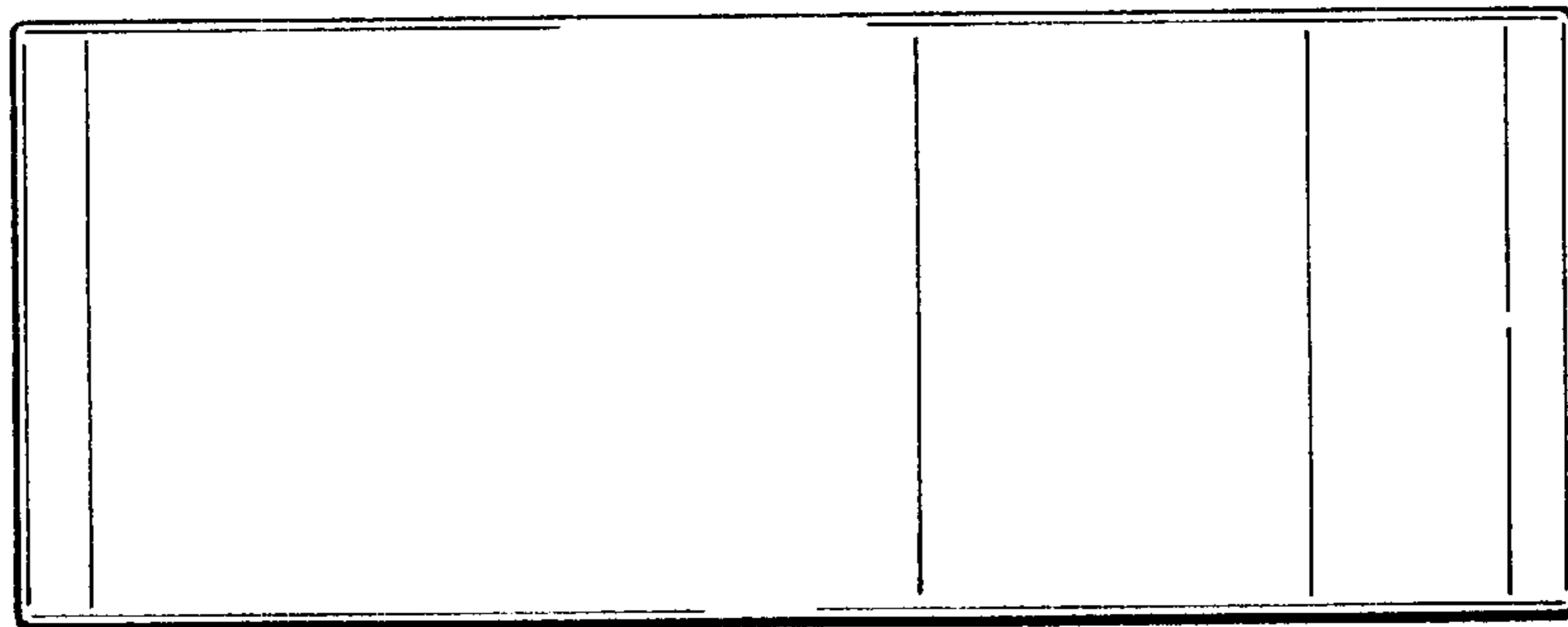
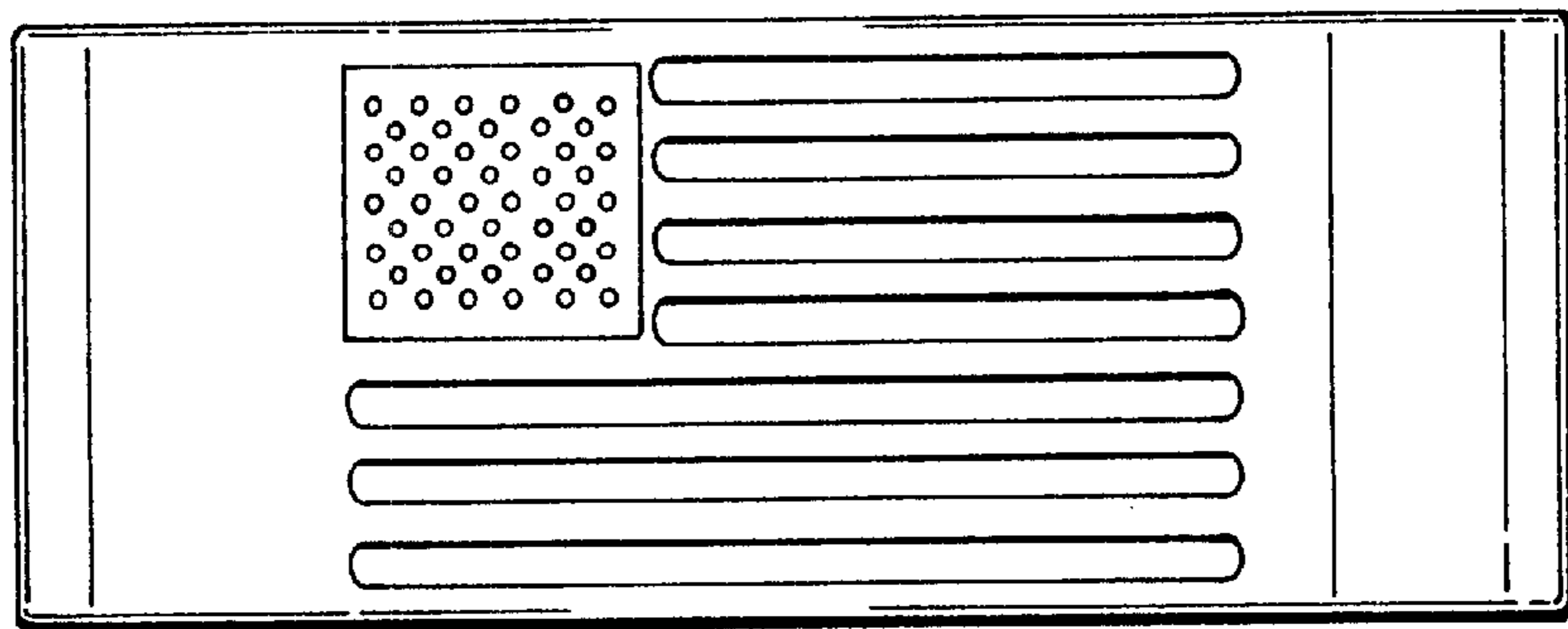
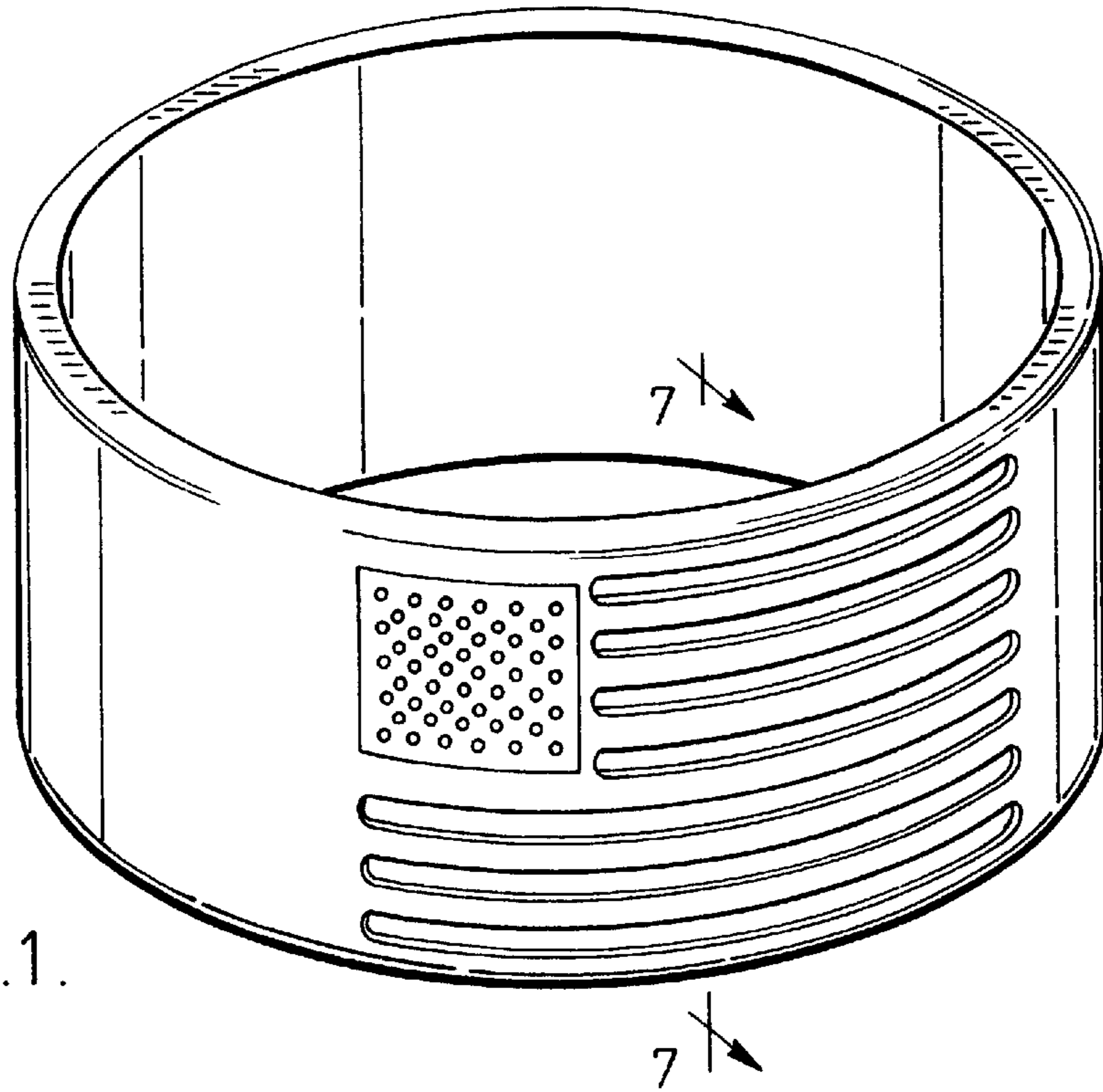
The ornamental design for a ring, as shown and described.

DESCRIPTION

FIG. 1 is a perspective view of the ring;
 FIG. 2 is a front elevational view of FIG. 1;
 FIG. 3 is a rear elevational view of FIG. 1;
 FIG. 4 is a right side elevational view of FIG. 1;
 FIG. 5 is a left side elevational view of FIG. 1;
 FIG. 6 is a top plan view of FIG. 1, the bottom plan view being a mirror image thereof;
 FIG. 7 is a cross section through 7—7 of FIG. 1;
 FIG. 8 is a perspective view of a further embodiment of the ring of FIG. 1;
 FIG. 9 is a front elevational view of FIG. 8;
 FIG. 10 is a rear elevational view of FIG. 8;
 FIG. 11 is a right side elevational view of FIG. 8;
 FIG. 12 is a left side elevational view of FIG. 8;
 FIG. 13 is a top plan view of FIG. 8, the bottom plan view being a mirror image thereof; and,
 FIG. 14 is a cross section through 14—14 of FIG. 8.

1 Claim, 4 Drawing Sheets





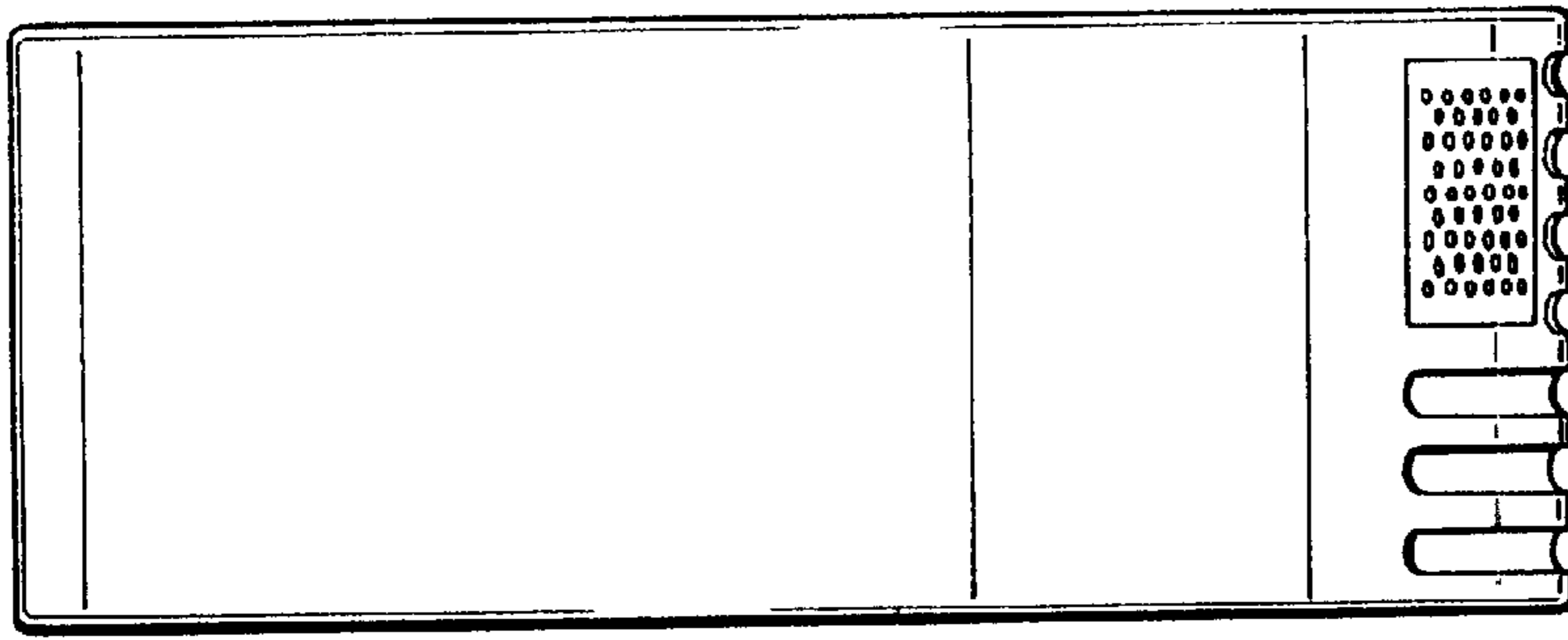


FIG. 4.

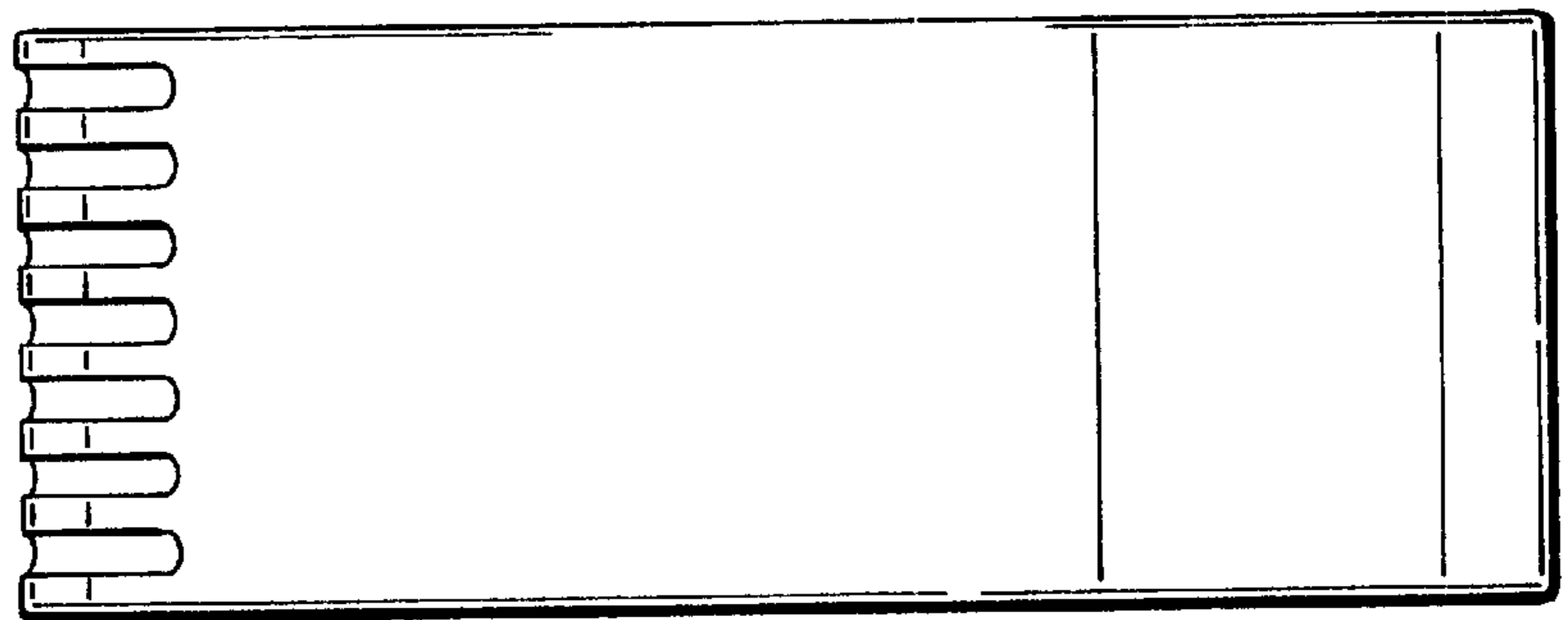


FIG. 5.

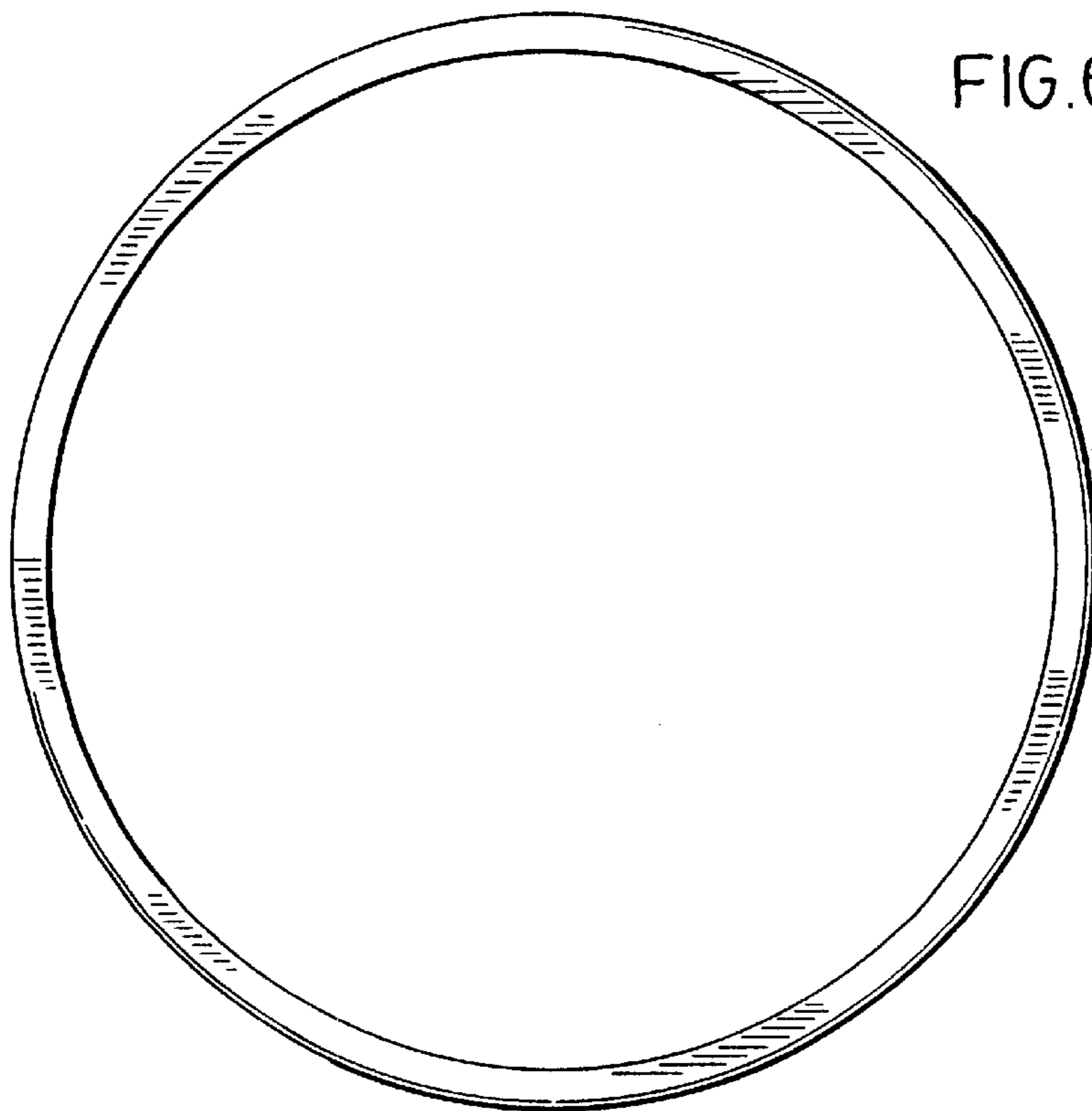


FIG. 6.



FIG. 7.

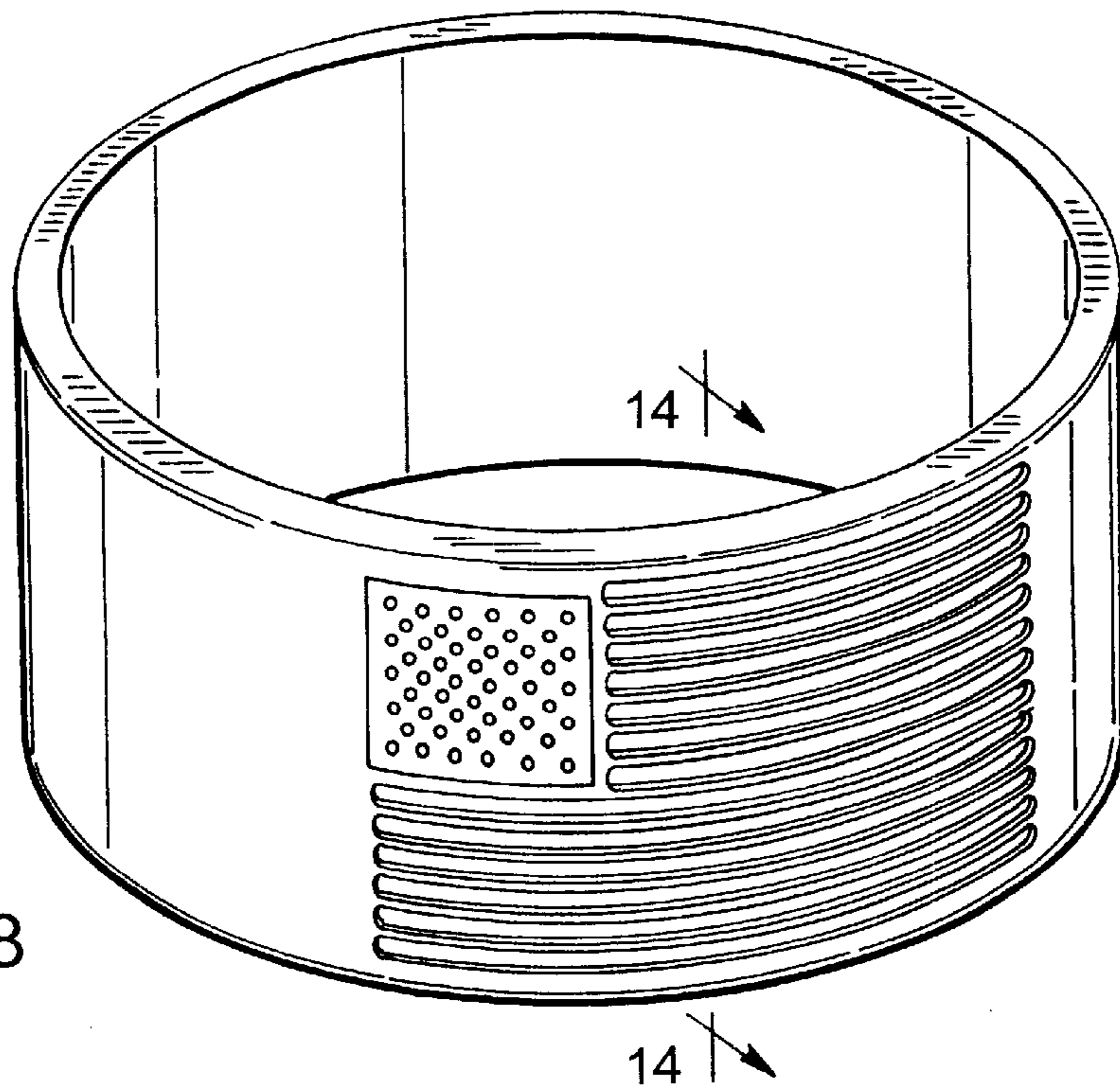


FIG. 8

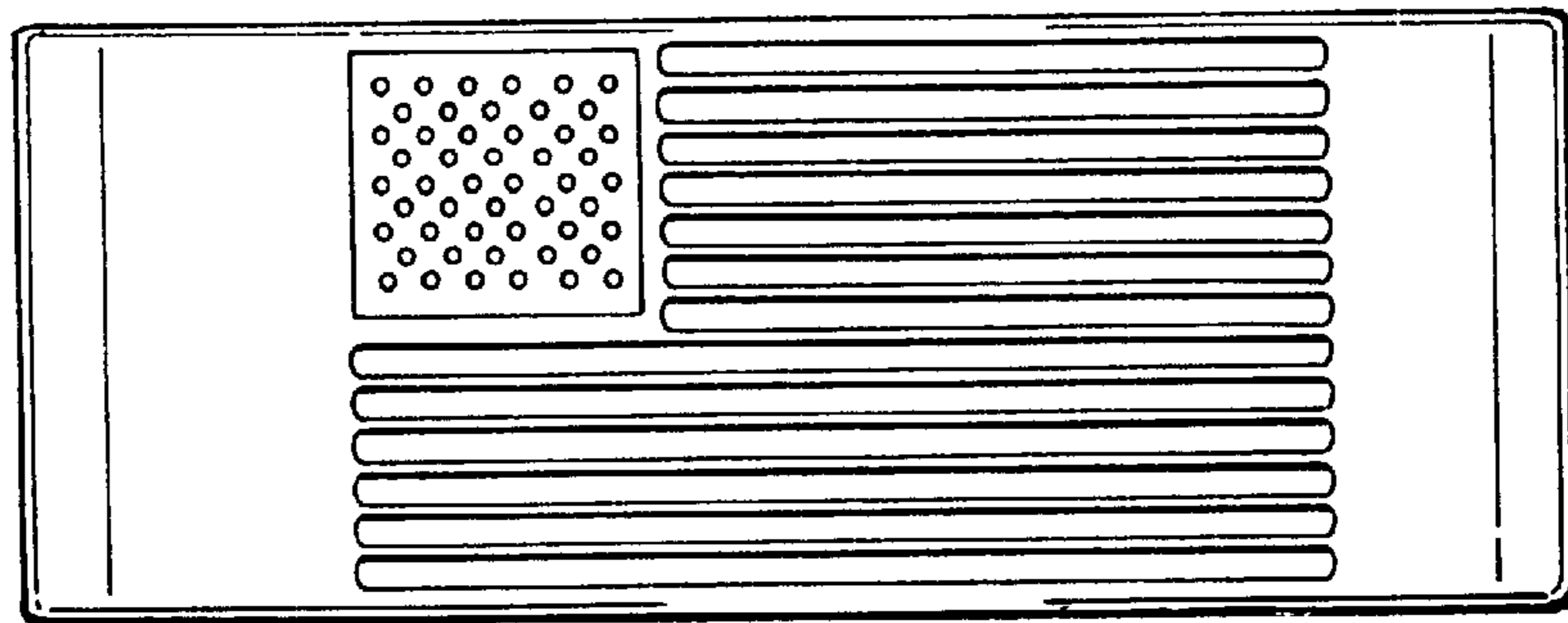


FIG. 9

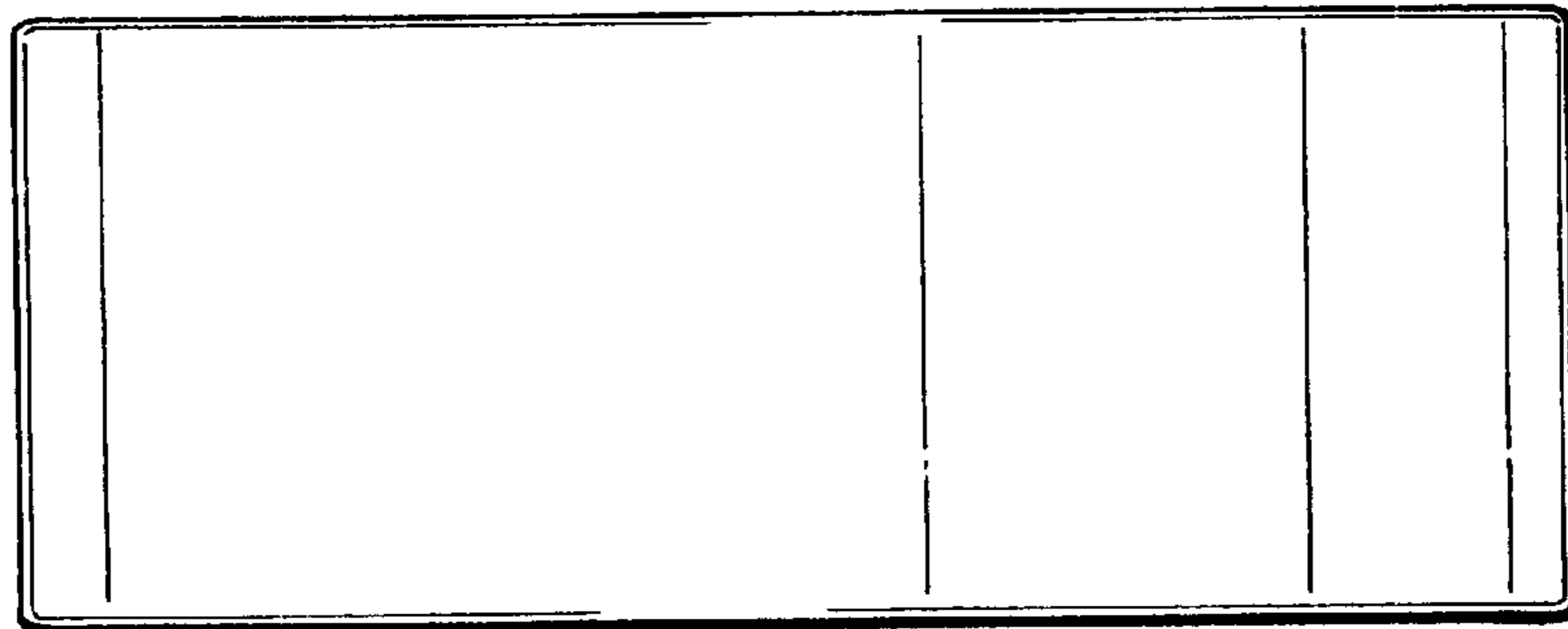


FIG. 10

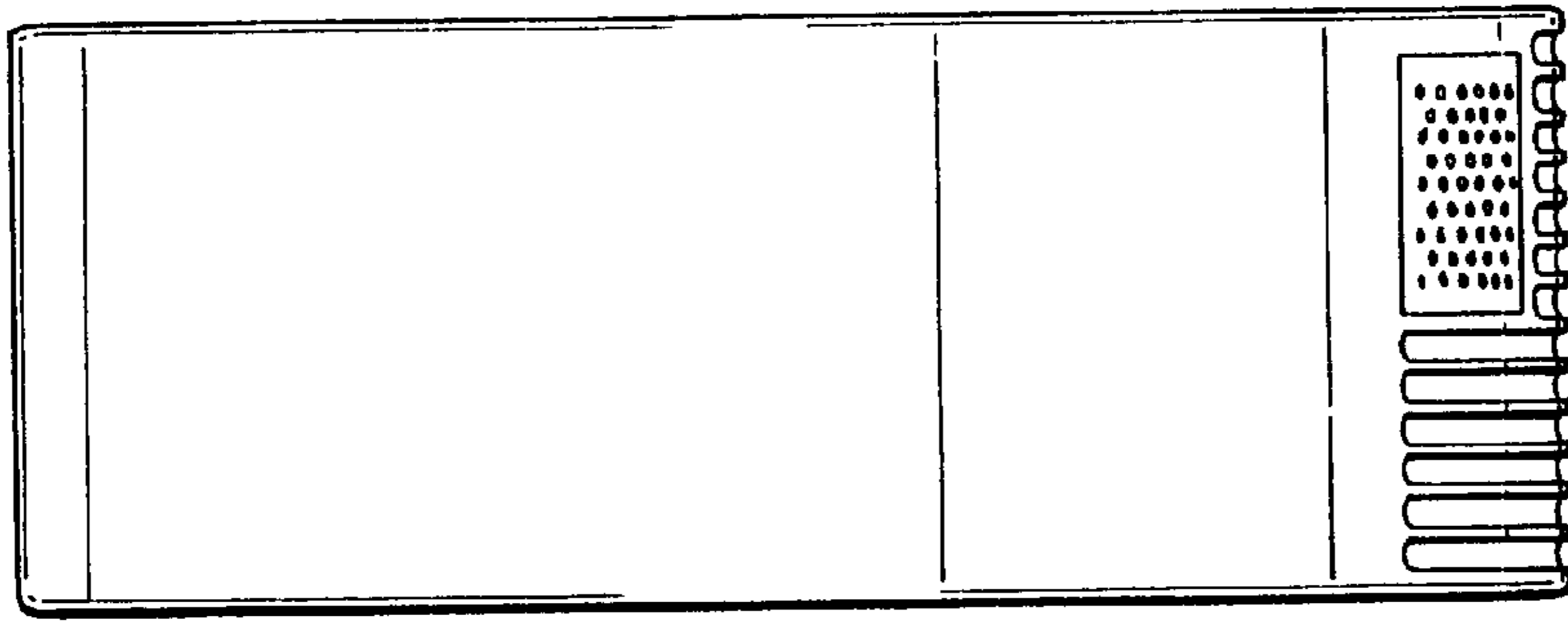


FIG. 11

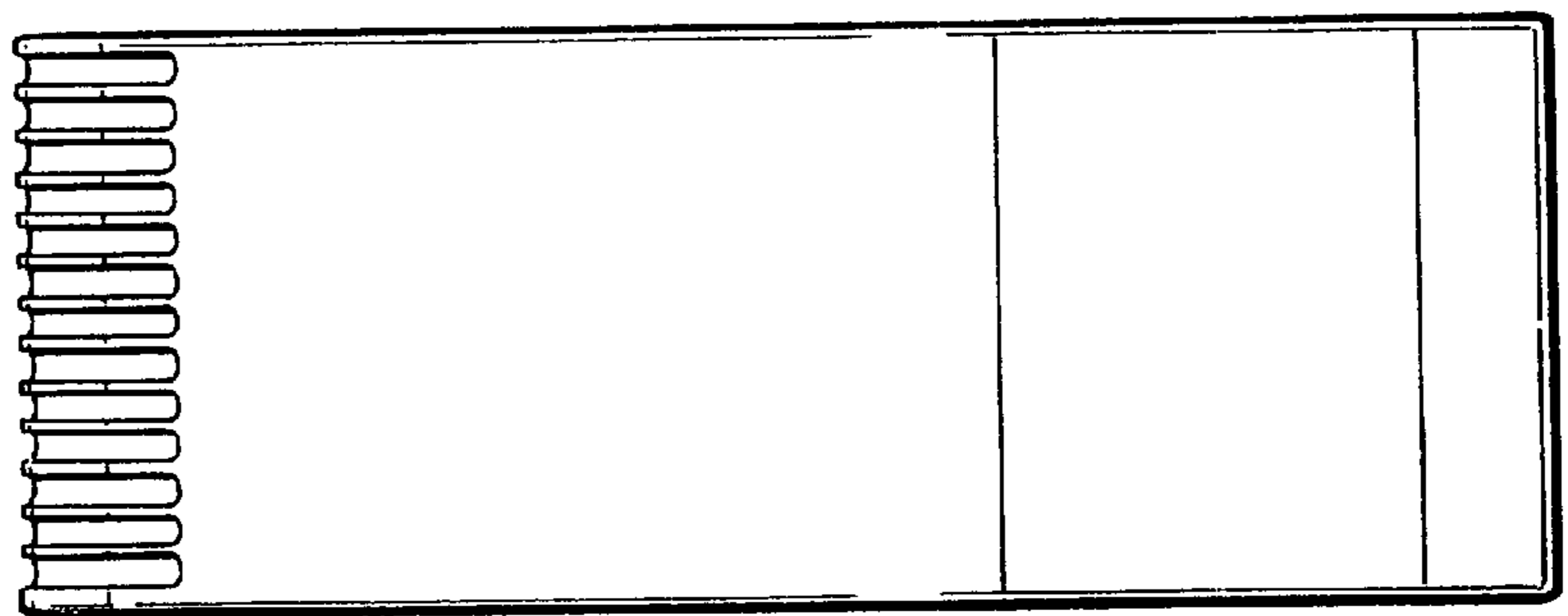


FIG. 12

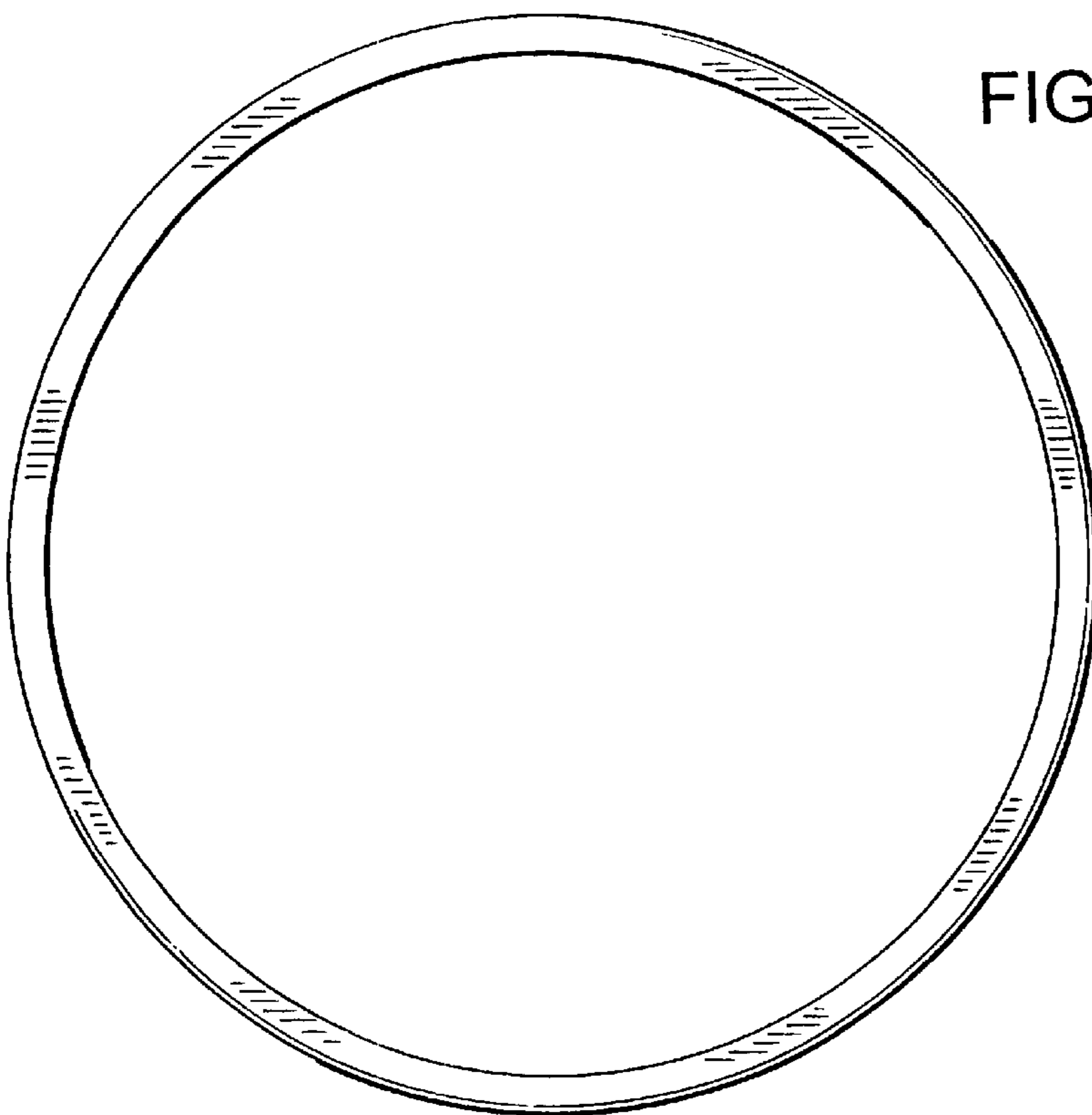


FIG. 13



FIG. 14