



US00D464284S

(12) **United States Design Patent**
Kuwabara

(10) **Patent No.:** **US D464,284 S**

(45) **Date of Patent:** **** Oct. 15, 2002**

(54) **BUZZER HAVING A BATTERY**

D430,813 S * 9/2000 Watanabe D10/116
6,265,965 B1 * 7/2001 Lee 340/388.1

(75) Inventor: **Atsushi Kuwabara**, Yamanashi-ken
(JP)

* cited by examiner

(73) Assignee: **Citizen Electronics Co., Ltd.**,
Fujiyoshida (JP)

Primary Examiner—Antoine Duval Davis
(74) *Attorney, Agent, or Firm*—Birch, Stewart, Kolasch &
Birch, LLP

(**) Term: **14 Years**

(57) **CLAIM**

(21) Appl. No.: **29/147,876**

The ornamental design for a buzzer having a battery, as shown and described.

(22) Filed: **Sep. 10, 2001**

DESCRIPTION

(30) **Foreign Application Priority Data**

Mar. 12, 2001 (JP) 2001-006298

FIG. 1 is a top plan view of a buzzer having a battery embodying my new design;
FIG. 2 is a front view thereof;
FIG. 3 is a bottom view thereof;
FIG. 4 is a rear view thereof;
FIG. 5 is a right side view thereof;
FIG. 6 is a left side view thereof;
FIG. 7 is a perspective view as viewed from a portion above the buzzer; and,
FIG. 8 is a perspective view as viewed from a portion below the buzzer.

(51) **LOC (7) Cl.** **10-05**

(52) **U.S. Cl.** **D10/116**

(58) **Field of Search** D10/116; 340/384.1,
340/384.4, 384.7, 388.1, 425.5, 426-430

(56) **References Cited**

U.S. PATENT DOCUMENTS

D410,210 S * 5/1999 Akasaki D10/116
D429,473 S * 8/2000 Watanabe D10/116

1 Claim, 5 Drawing Sheets

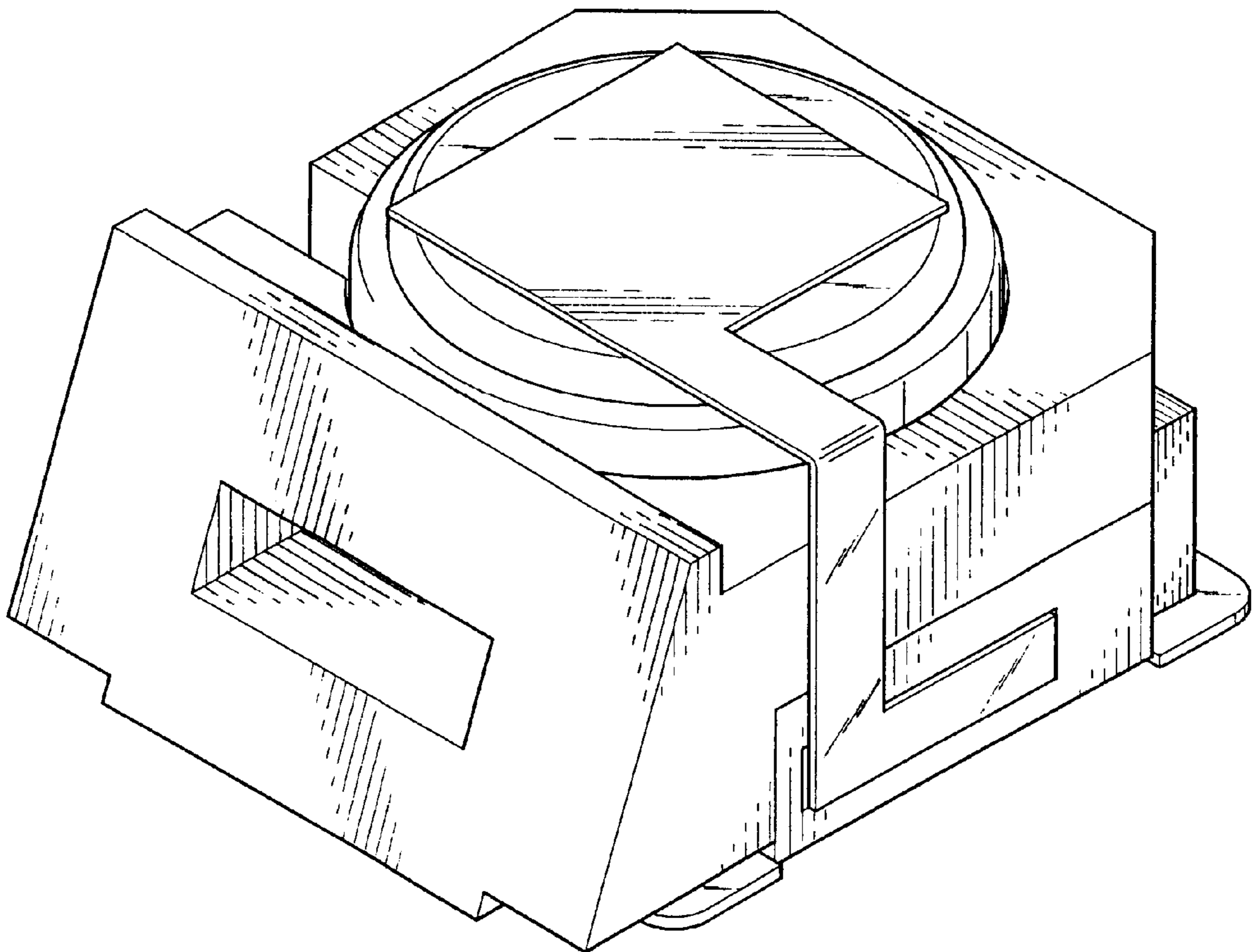


FIG. 1

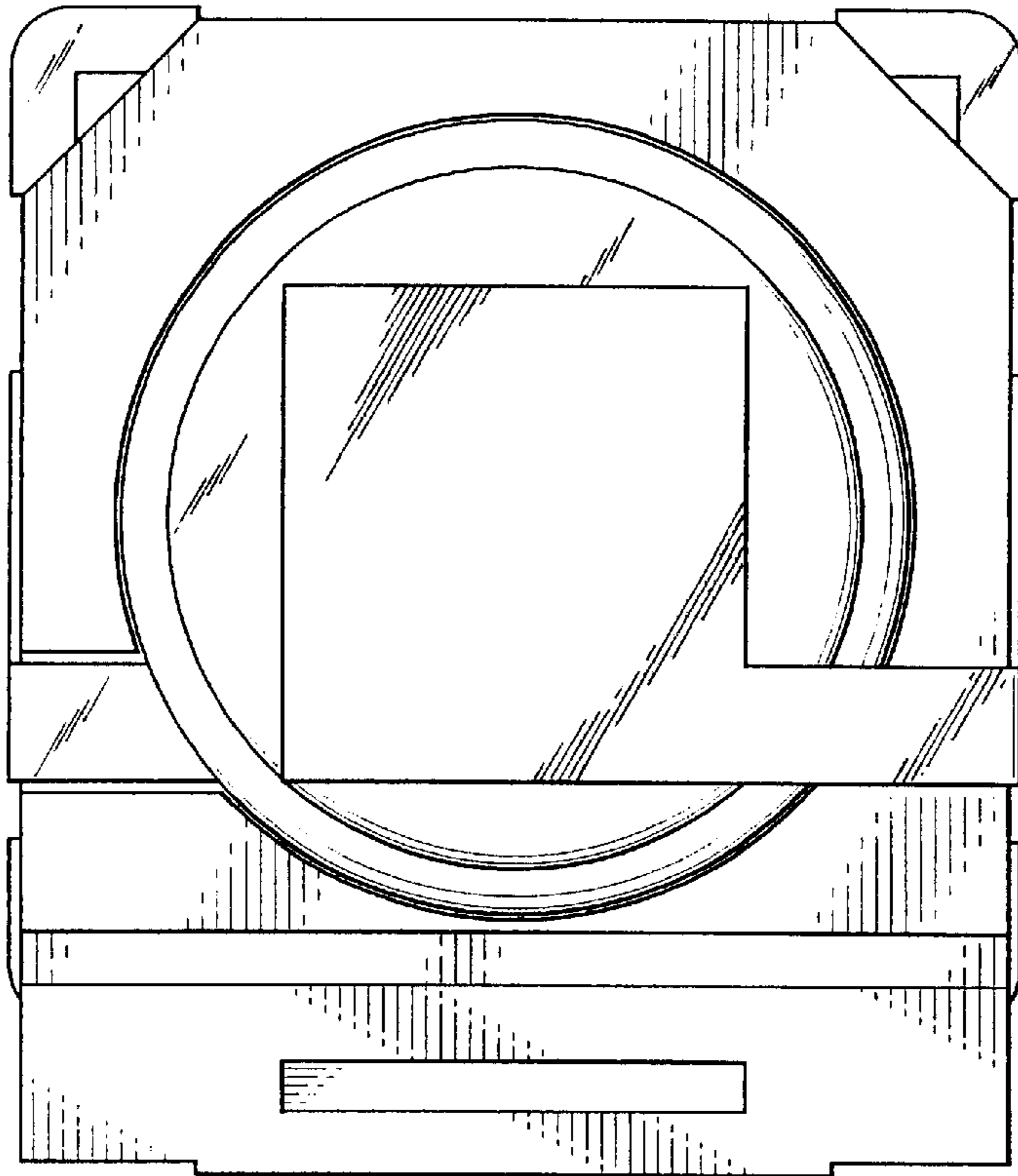


FIG. 2

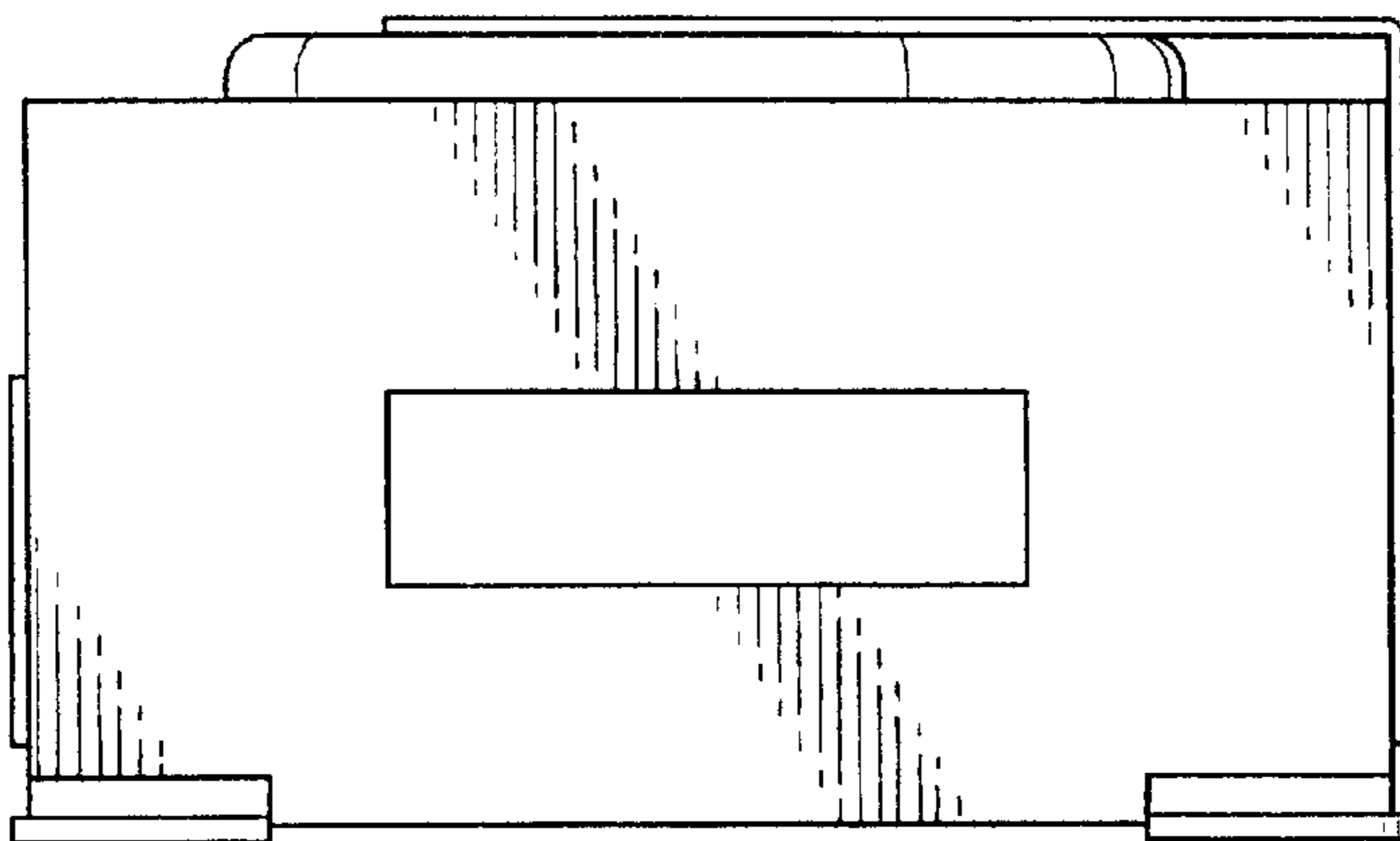


FIG. 3

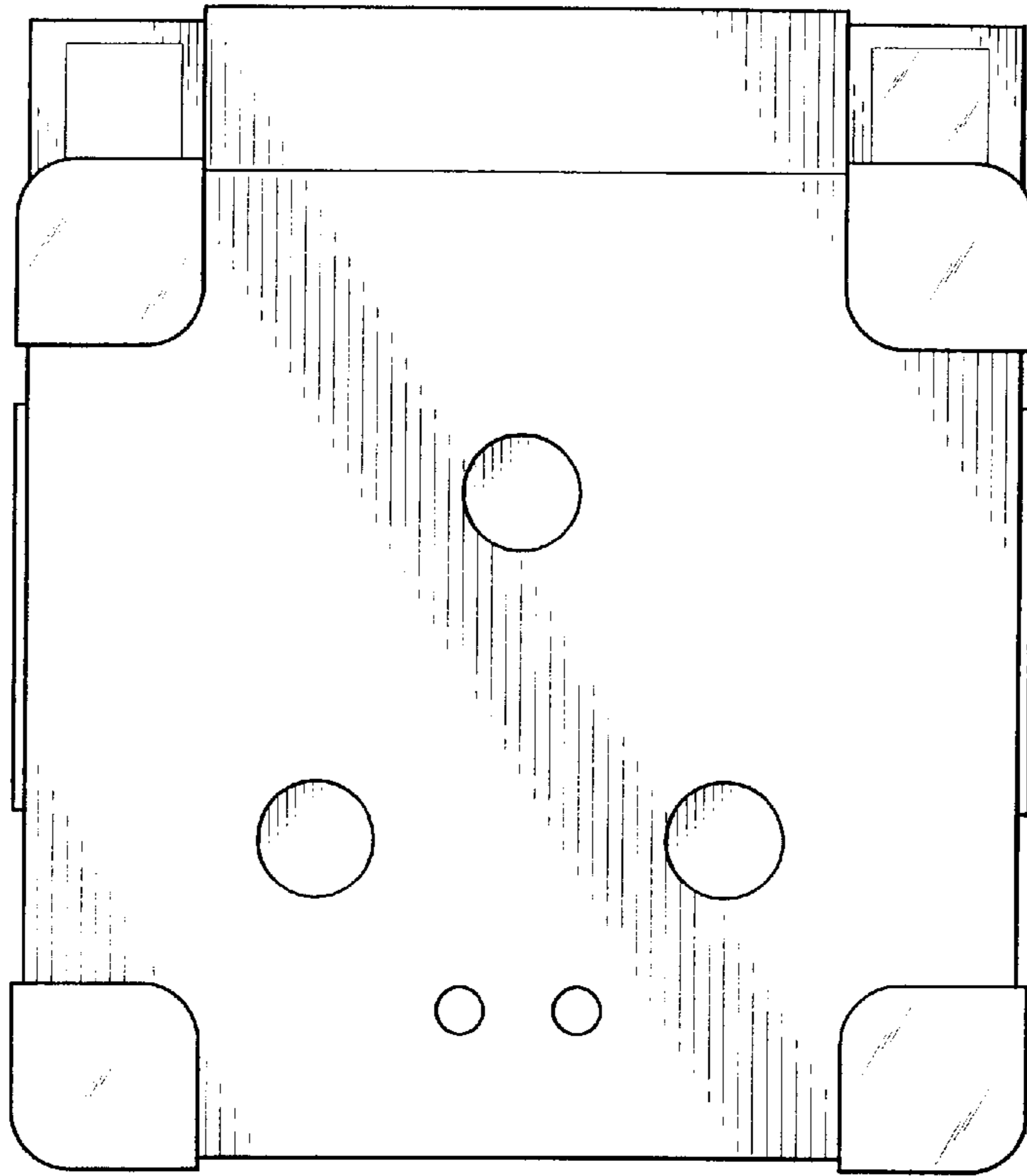


FIG. 4

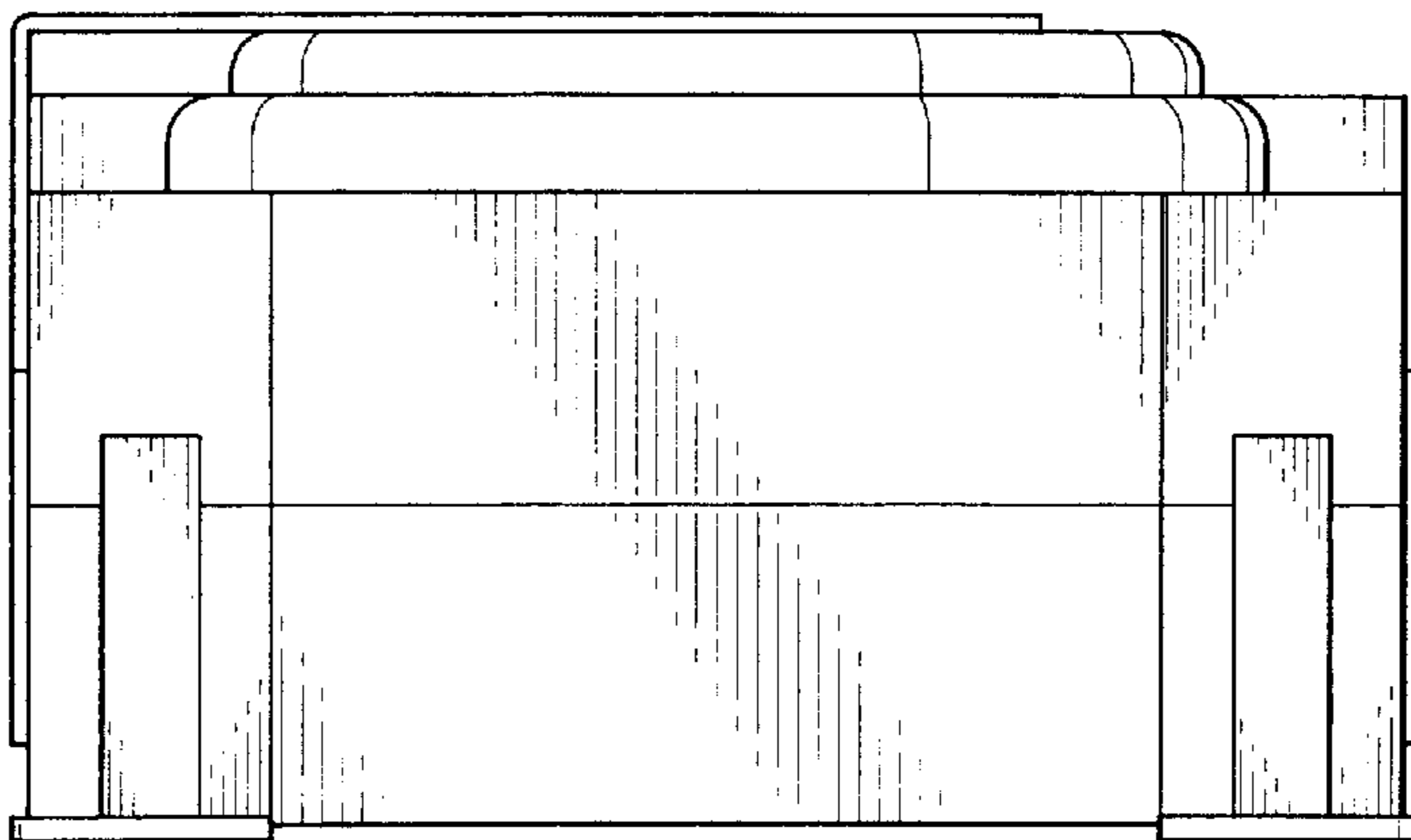


FIG. 5

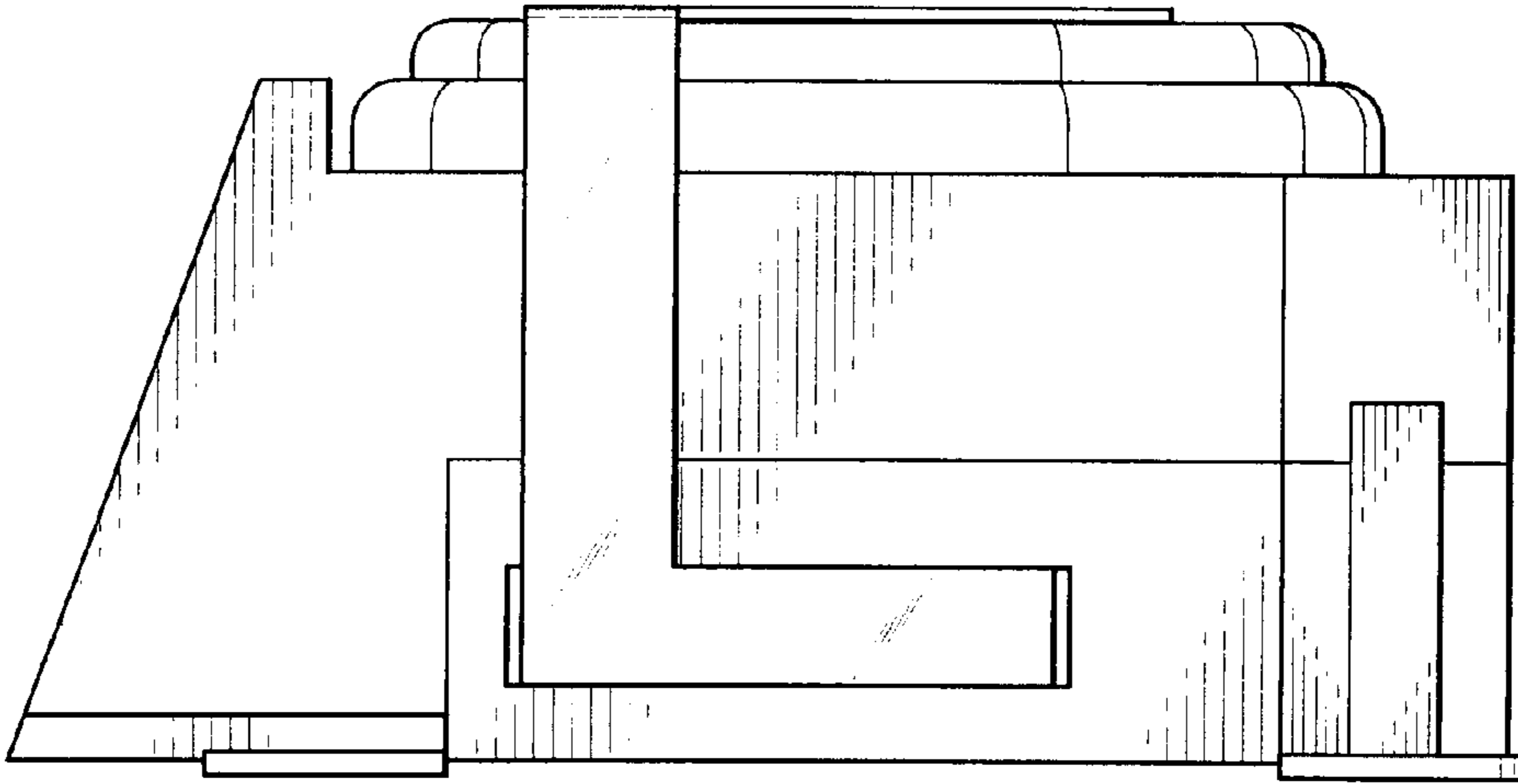


FIG. 6

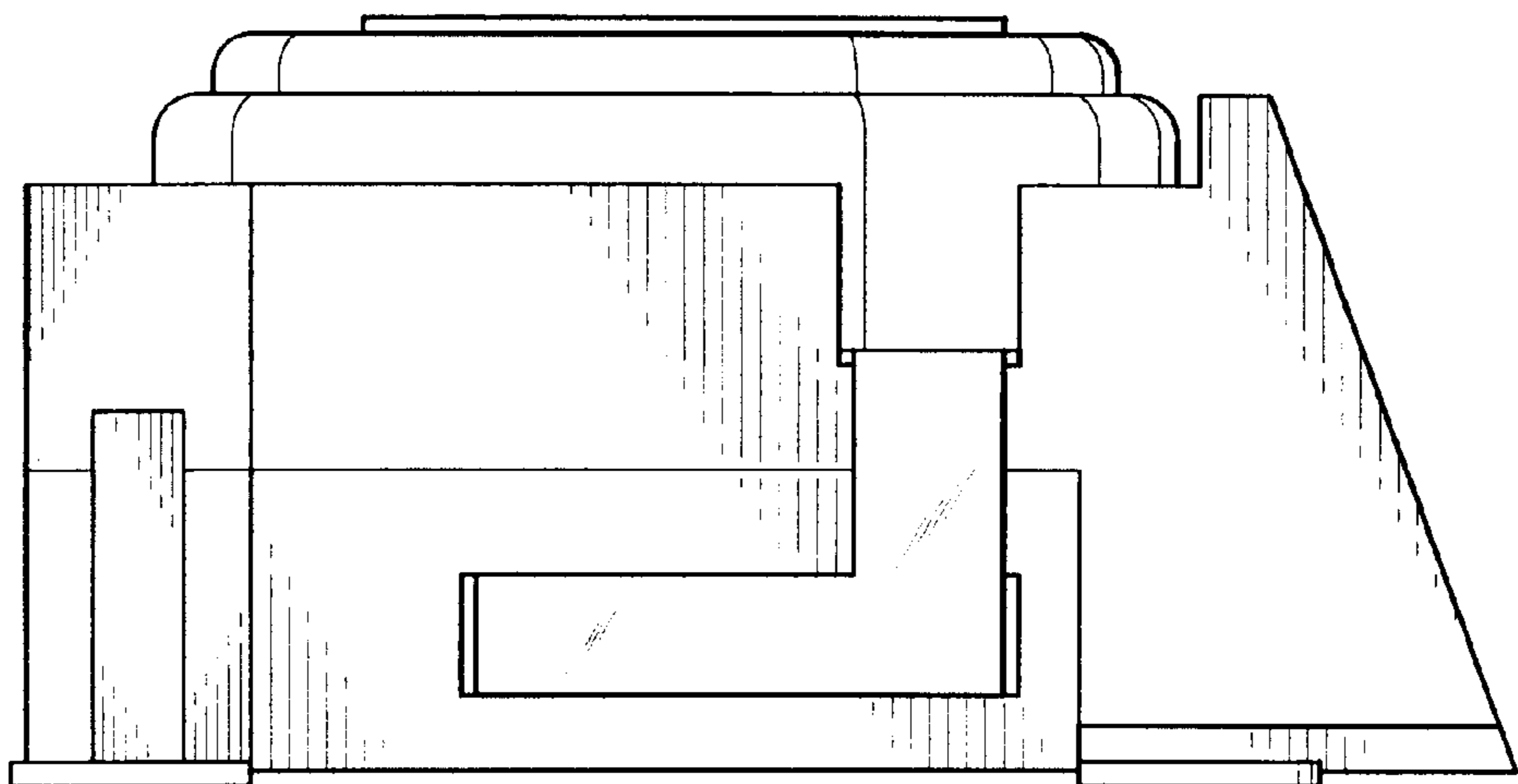


FIG. 7

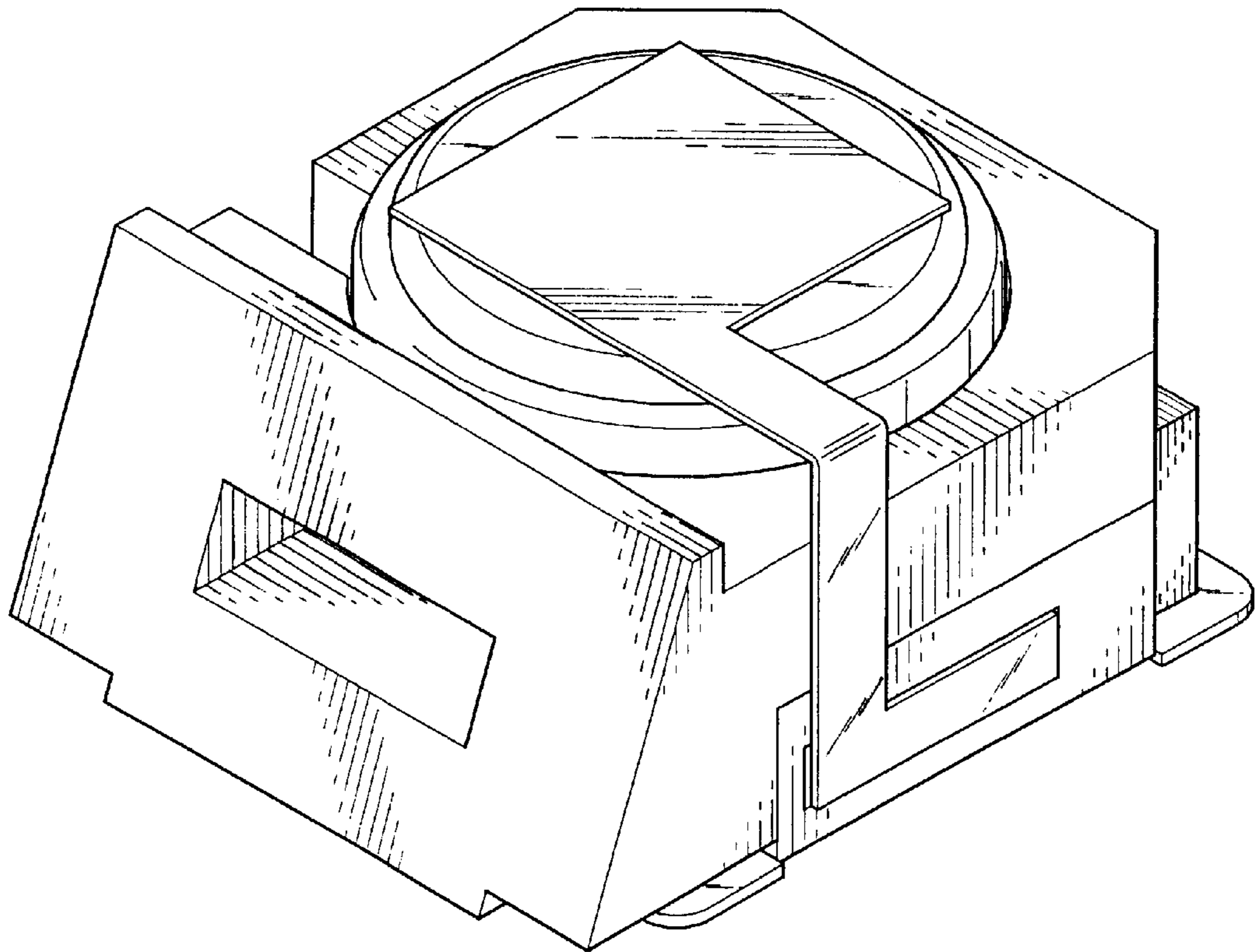


FIG. 8

