



US00D464283S

(12) **United States Design Patent**
Kuo

(10) **Patent No.:** **US D464,283 S**

(45) **Date of Patent:** **** Oct. 15, 2002**

(54) **WARNING STROBE FLASHER**

(75) Inventor: **Ching-Lung Kuo, Hsin-Tien (TW)**

(73) Assignee: **Seven Stars Electronics (TW)**

(**) Term: **14 Years**

(21) Appl. No.: **29/149,983**

(22) Filed: **Oct. 26, 2001**

(51) **LOC (7) Cl.** **10-05**

(52) **U.S. Cl.** **D10/114**

(58) **Field of Search** D10/111, 114;
340/468, 471, 472; 362/487, 493, 538,
539, 546-549

(56) **References Cited**

U.S. PATENT DOCUMENTS

4,734,675 A * 3/1988 Wen 362/479
5,132,666 A * 7/1992 Fahs 340/468

D401,880 S * 12/1998 Howard D10/114

* cited by examiner

Primary Examiner—Antoine Duval Davis

(74) *Attorney, Agent, or Firm*—Troxell Law Office PLLC

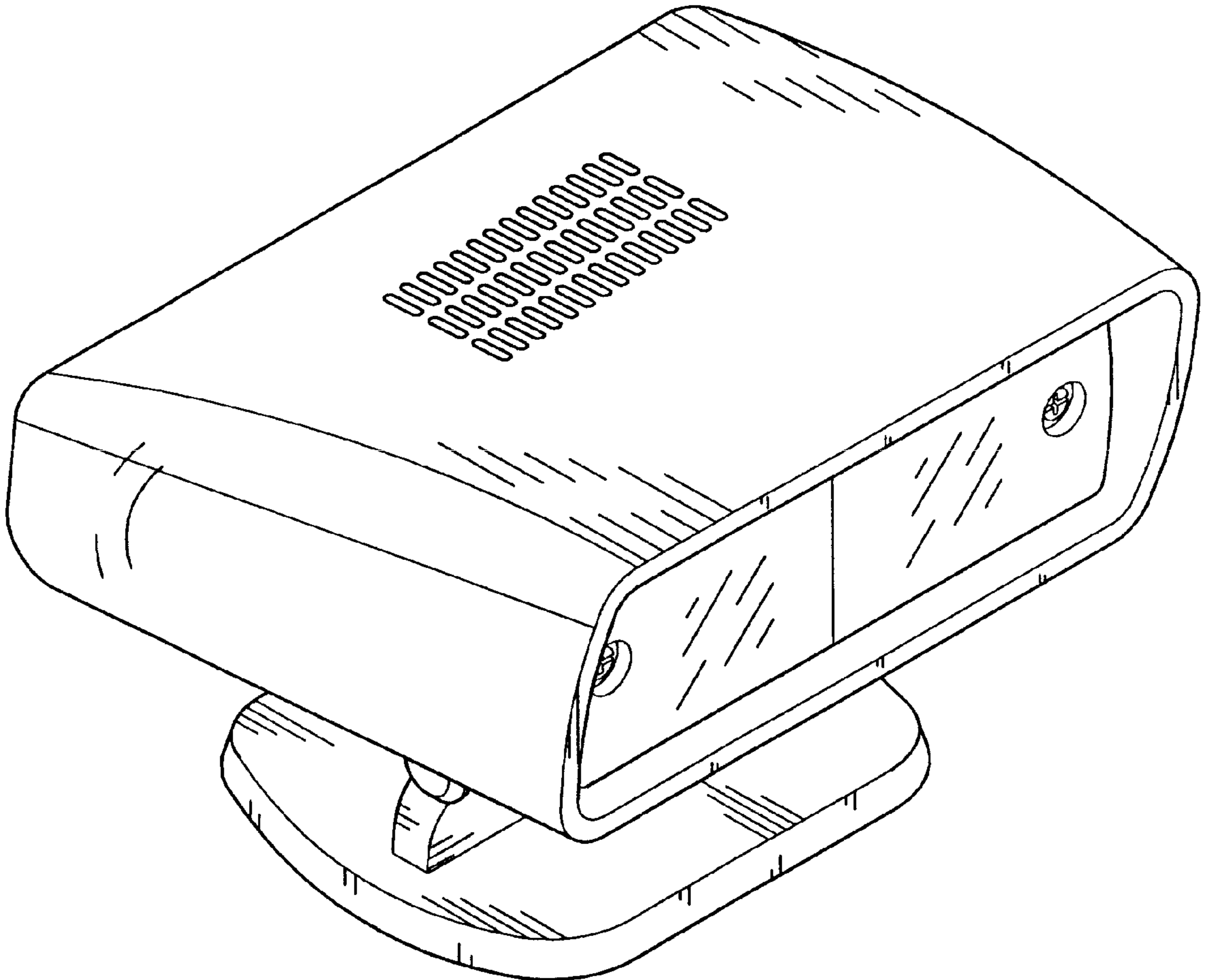
(57) **CLAIM**

The ornamental design for a warning strobe flasher, as shown and described.

DESCRIPTION

FIG. 1 is a perspective view of a warning strobe flasher showing our new design;
FIG. 2 is a front side elevation view thereof;
FIG. 3 is a rear side elevation view thereof;
FIG. 4 is a left side elevation view thereof;
FIG. 5 is a right side elevation view thereof;
FIG. 6 is a top plan view thereof;
FIG. 7 is a bottom plan view thereof; and,
FIG. 8 is a perspective view showing the warning strobe flasher disposed at a different inclination.

1 Claim, 5 Drawing Sheets



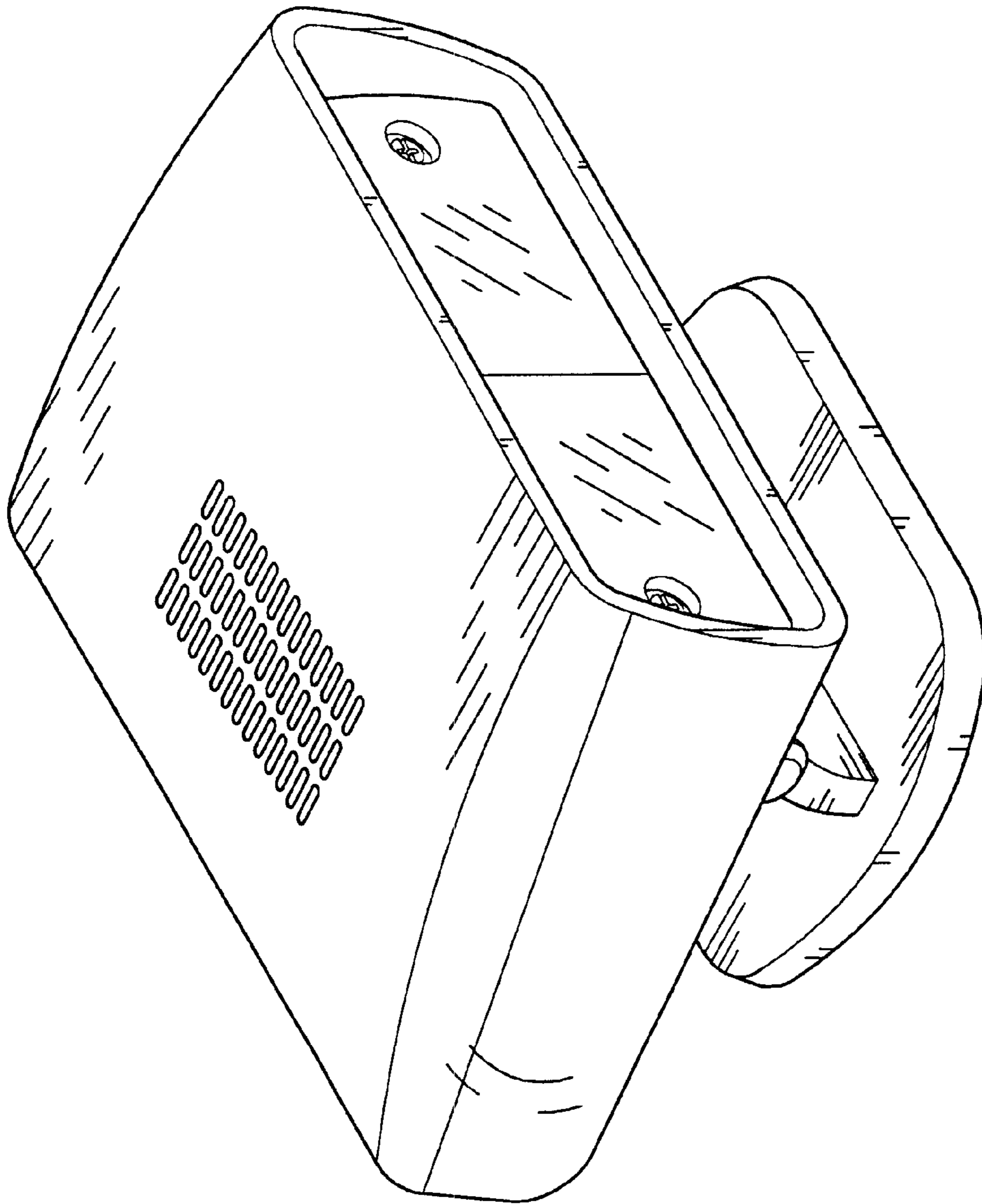


FIG. 1

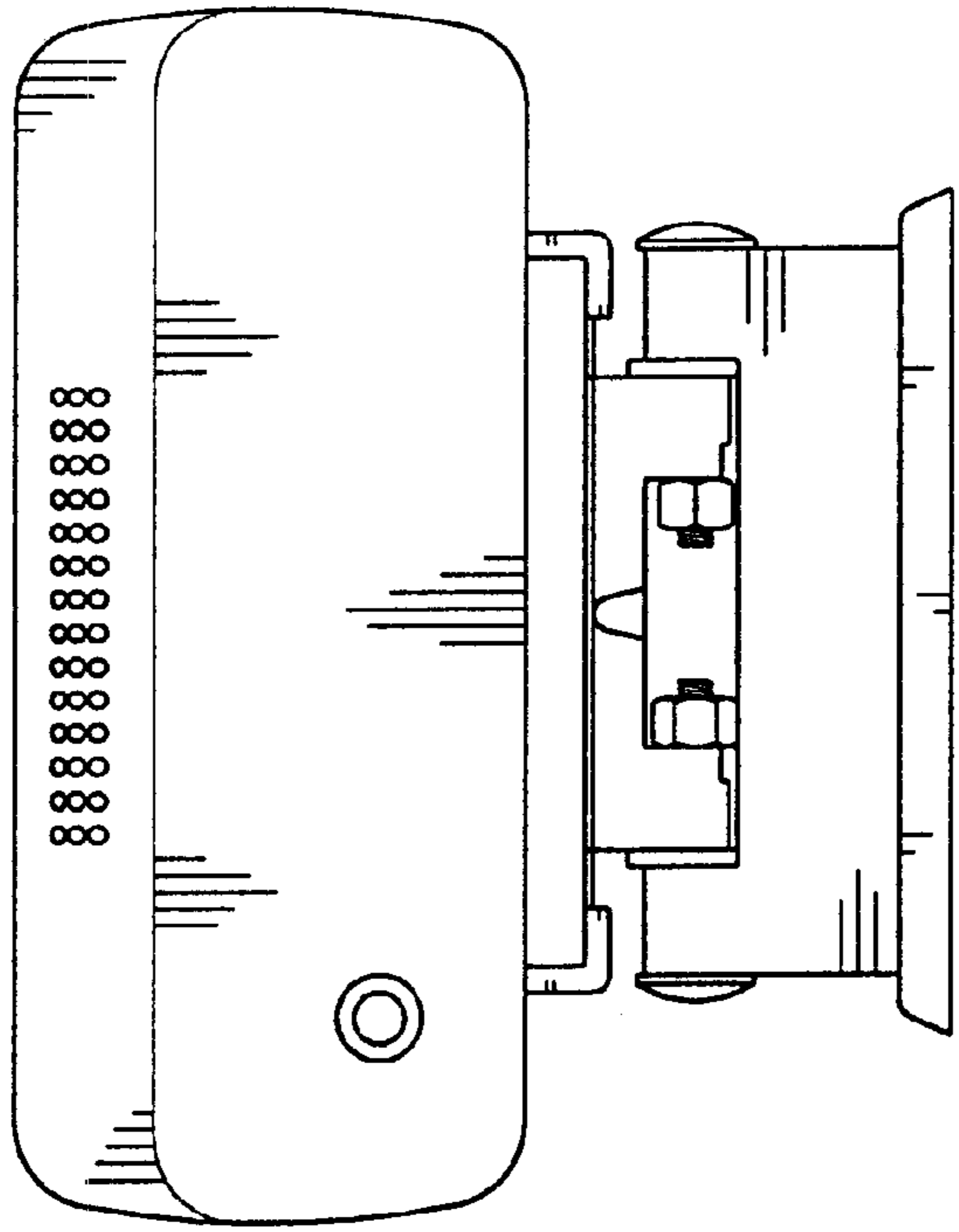


FIG. 2

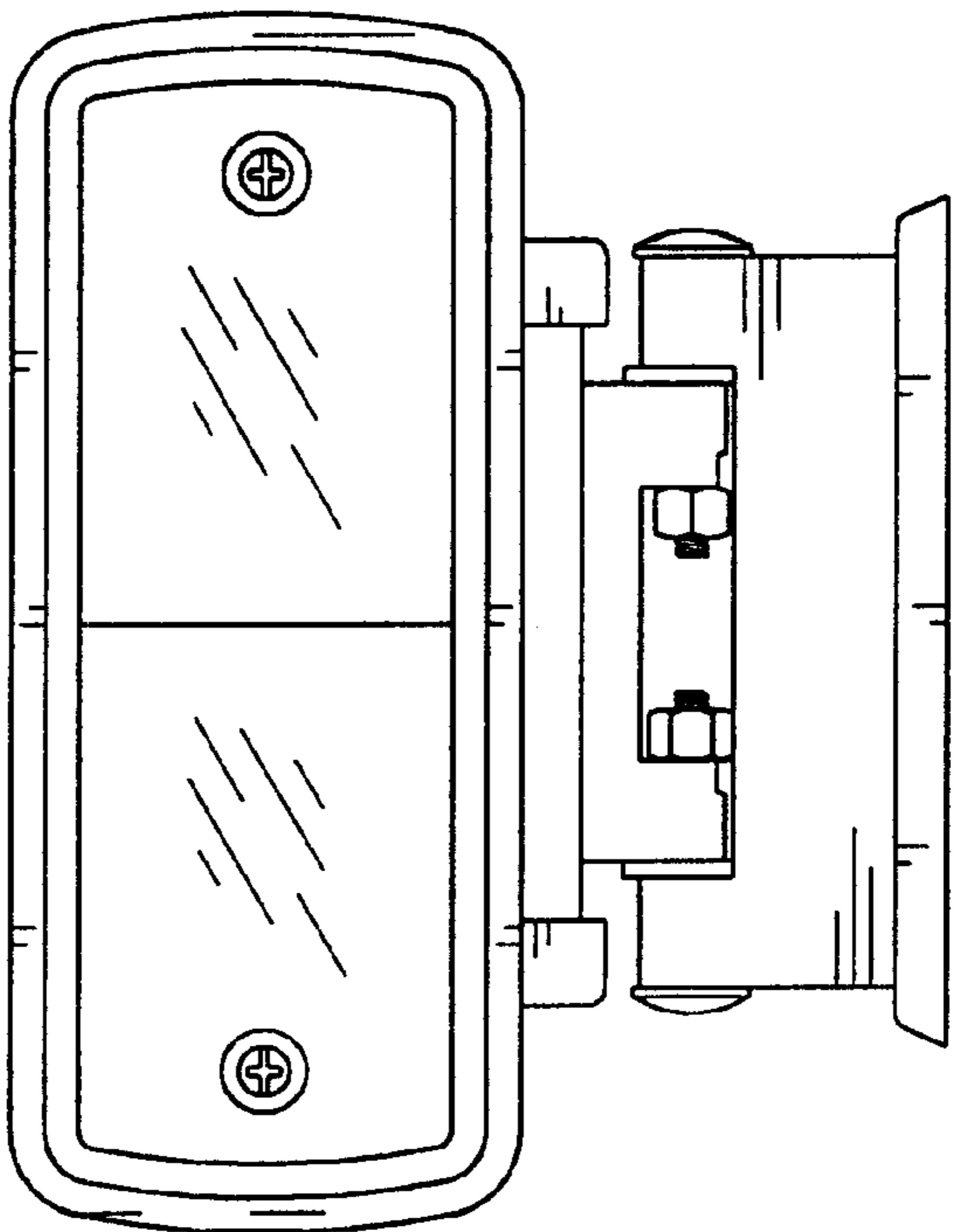


FIG. 3

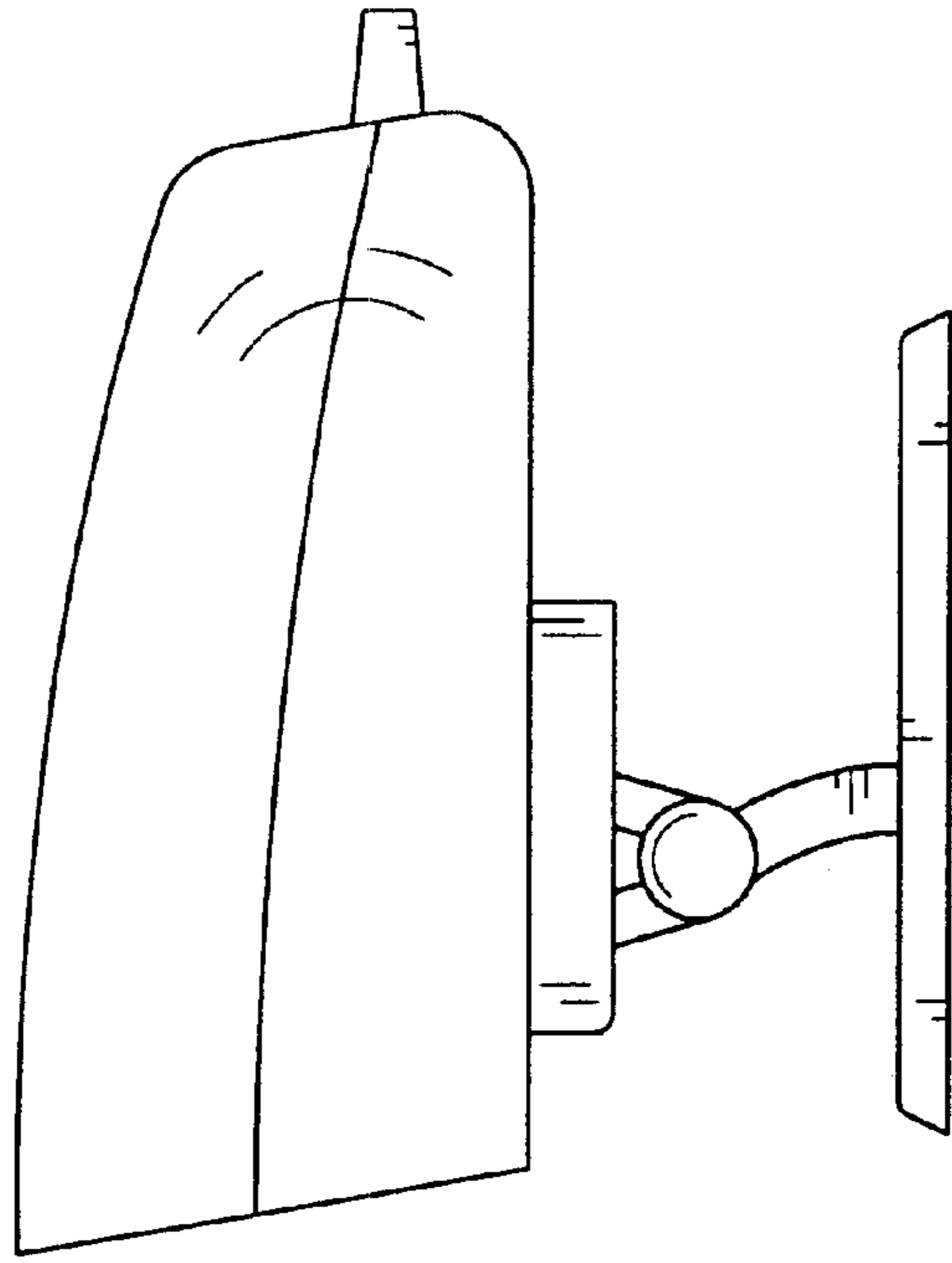


FIG. 5

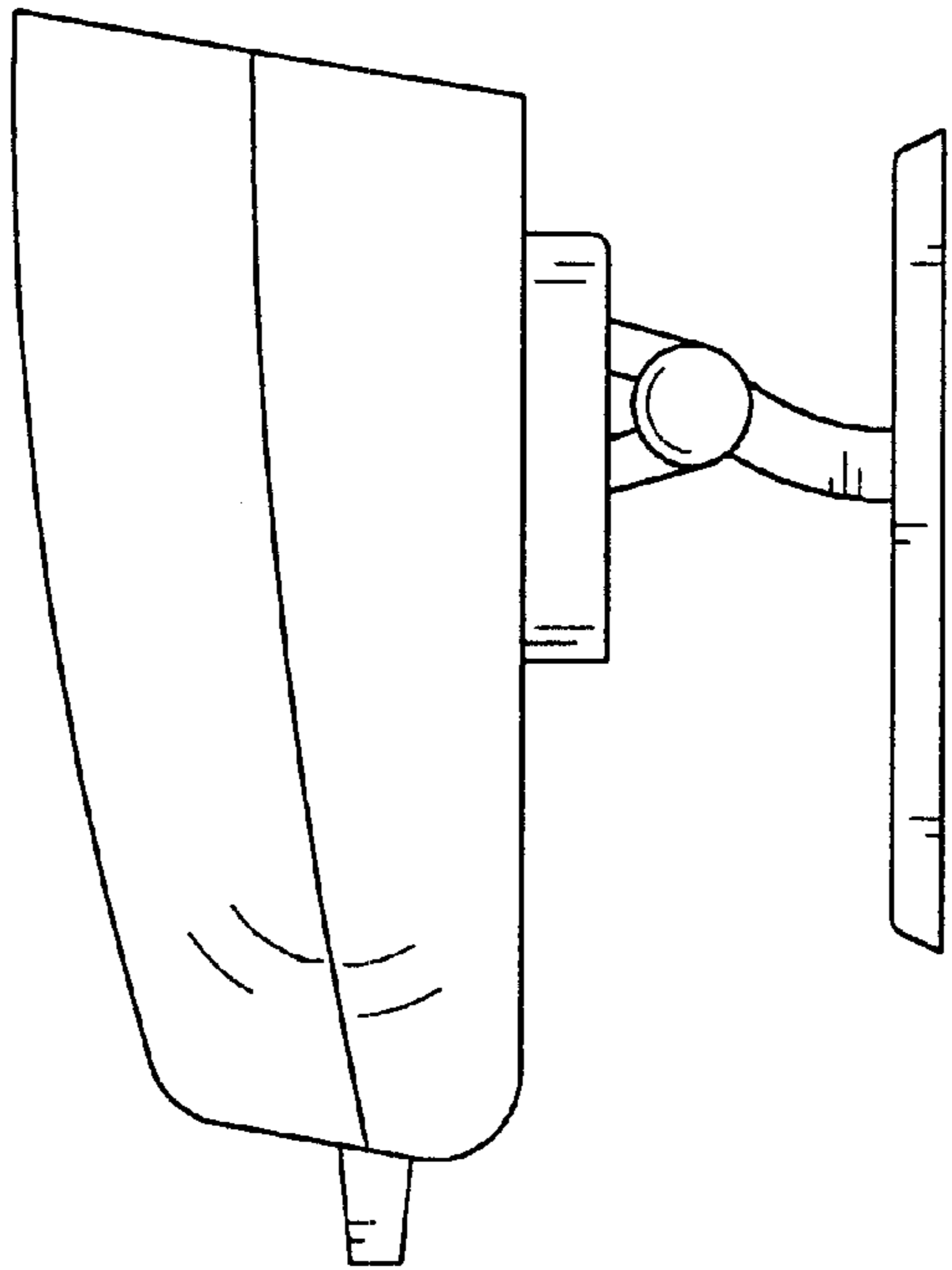


FIG. 4

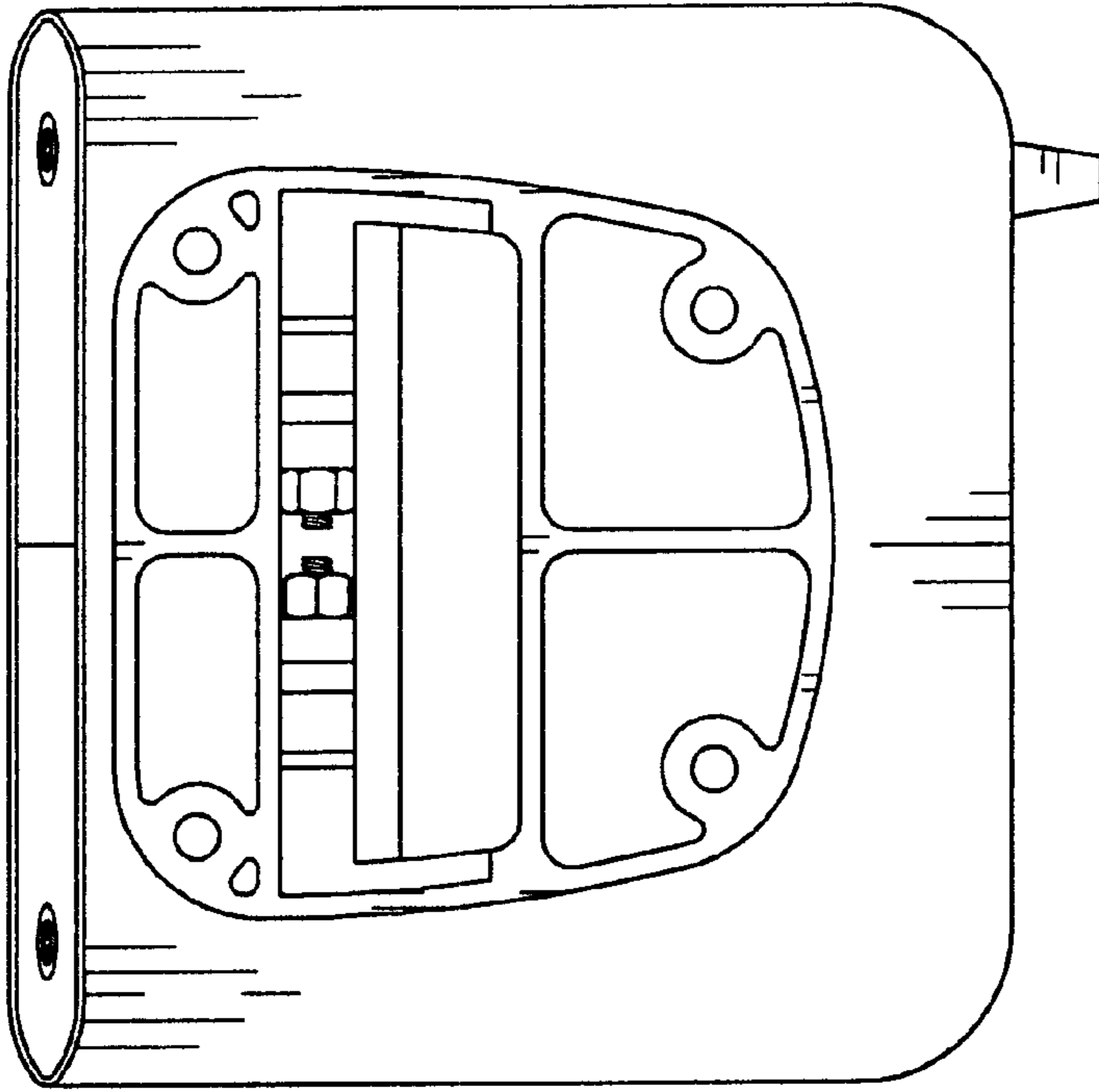


FIG. 6

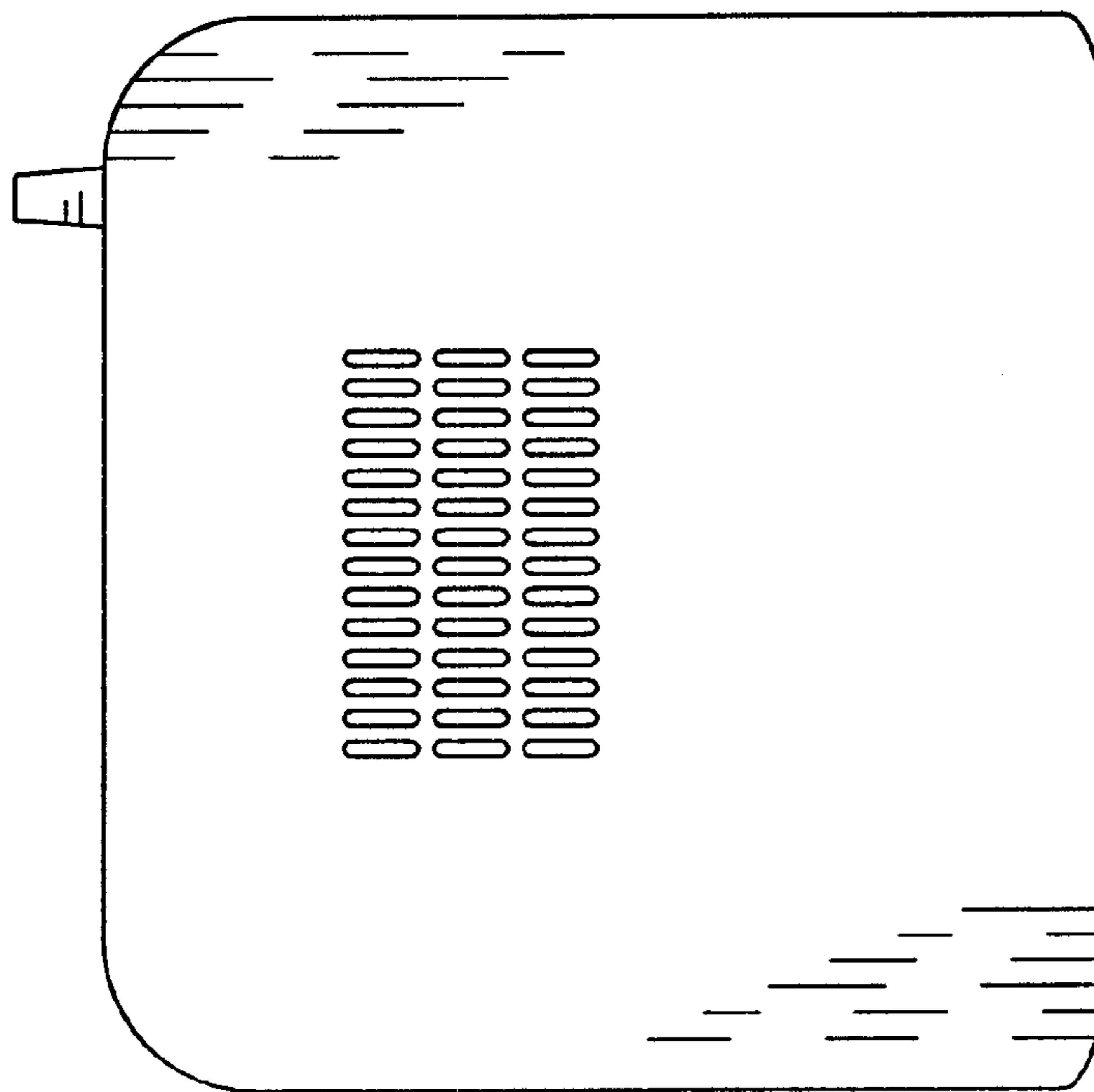


FIG. 7

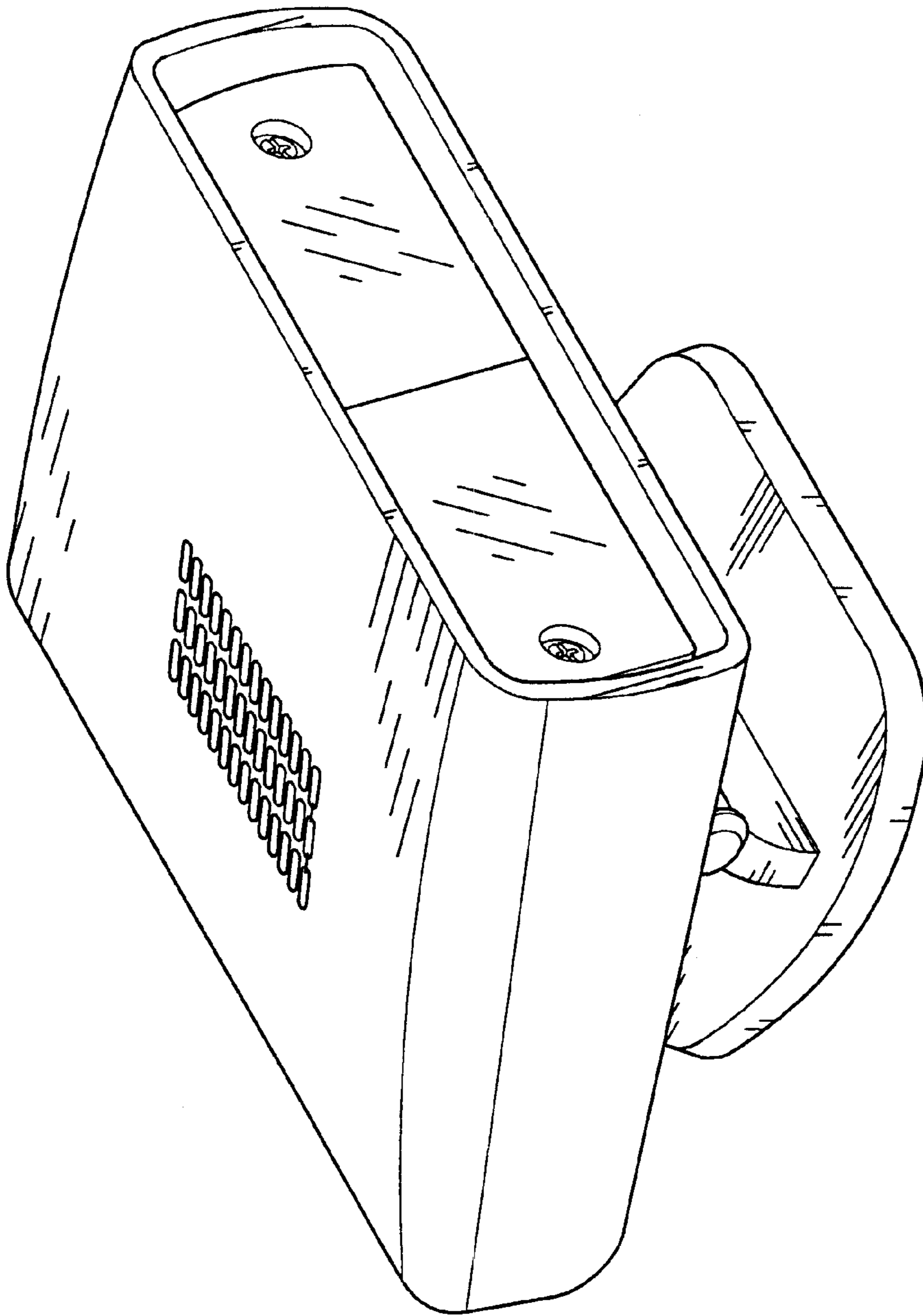


FIG. 8