



US00D464281S

(12) **United States Design Patent**
Ginzel

(10) **Patent No.:** **US D464,281 S**

(45) **Date of Patent:** **** Oct. 15, 2002**

(54) **INFRARED MOTION DETECTOR**

D449,244 S * 10/2001 Ginzel D10/106

(75) Inventor: **Lothar Ginzel**, Schwerte (DE)

* cited by examiner

(73) Assignee: **DORMA GmbH + Co. KG**, Ennepetal (DE)

Primary Examiner—Marcus A. Jackson

(74) *Attorney, Agent, or Firm*—Nils H. Ljungman & Associates

(**) Term: **14 Years**

(57) **CLAIM**

(21) Appl. No.: **29/147,563**

The ornamental design for an infrared motion detector, as shown and described.

(22) Filed: **Aug. 30, 2001**

DESCRIPTION

Related U.S. Application Data

(62) Division of application No. 29/091,969, filed on Aug. 10, 1998, now Pat. No. Des. 449,244.

FIG. 1 is a perspective view of an embodiment of the present invention;

FIG. 2 is a top view of the embodiment of the present invention;

FIG. 3 is a front view of the embodiment of the present invention;

FIG. 4 is a back view of the embodiment of the present invention;

FIG. 5 is a side view of the embodiment of the present invention (with the opposite side view being a mirror image of this side view);

FIG. 6 is a bottom view of the embodiment of the present invention; and,

FIG. 7 is a schematic drawing of a door, in broken lines, showing one of many different possible utilizations of the embodiment of the present invention as shown in FIG. 1.

(30) **Foreign Application Priority Data**

Feb. 9, 1998 (DE) M98 01 195

(51) **LOC (7) Cl.** **10-05**

(52) **U.S. Cl.** **D10/106**

(58) **Field of Search** D10/104, 106, D10/116, 121; 340/540, 541, 542, 545, 547, 551, 571, 572, 573, 689

(56) **References Cited**

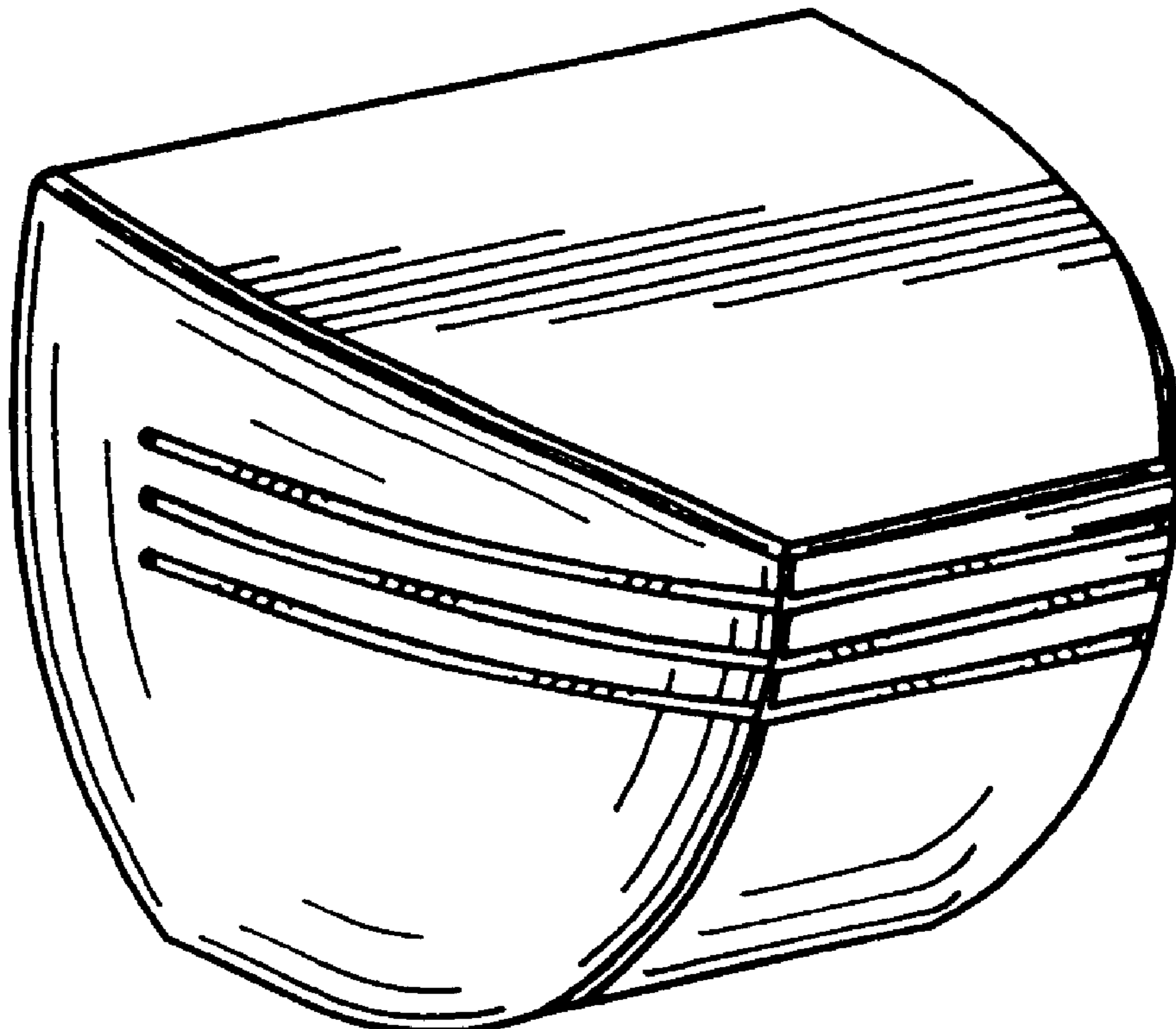
U.S. PATENT DOCUMENTS

D413,540 S * 9/1999 Fembock D10/106

D417,165 S * 11/1999 Takeda et al. D10/106

D425,810 S * 5/2000 Siller et al. D10/106

1 Claim, 3 Drawing Sheets



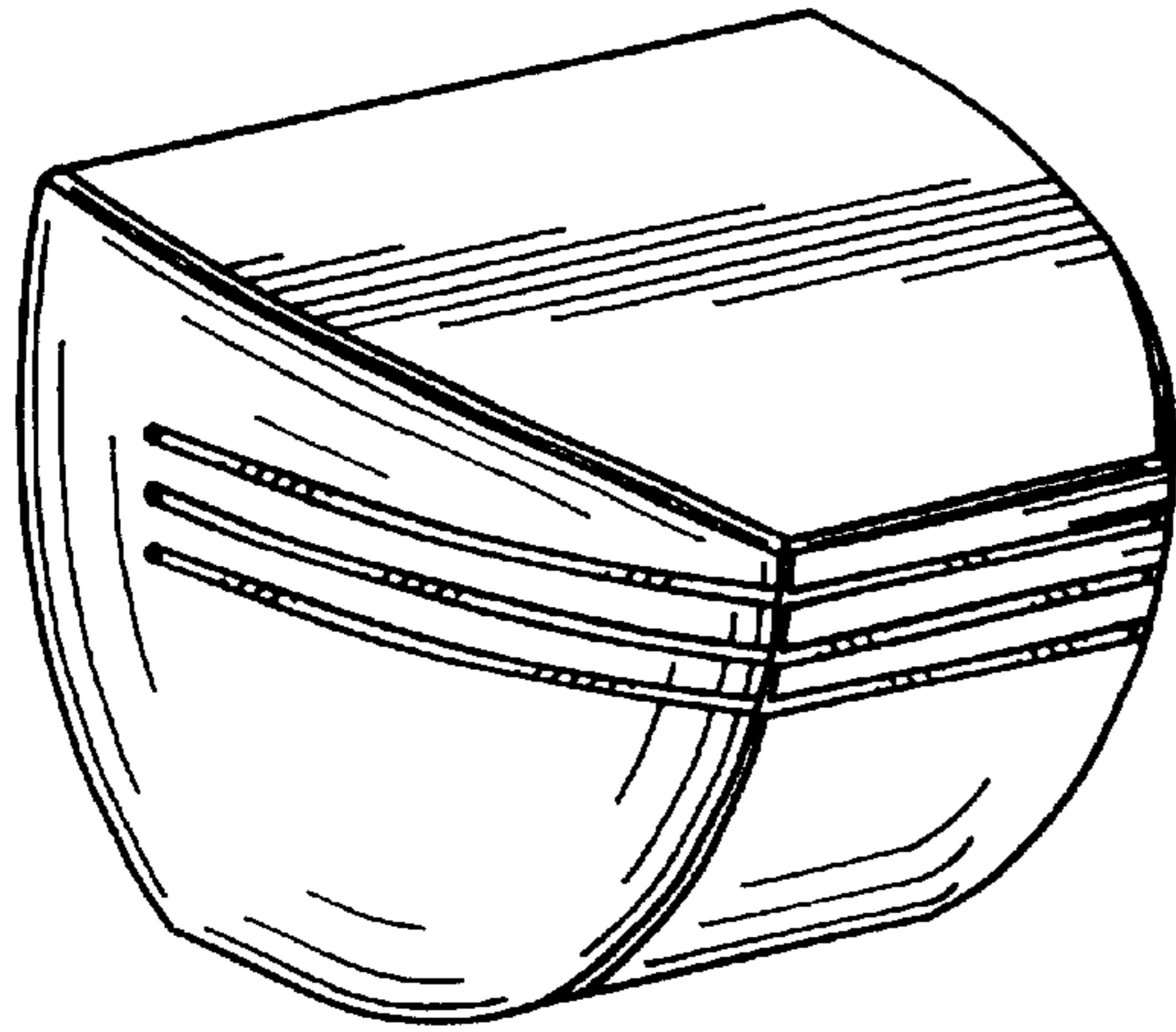


FIG. 1

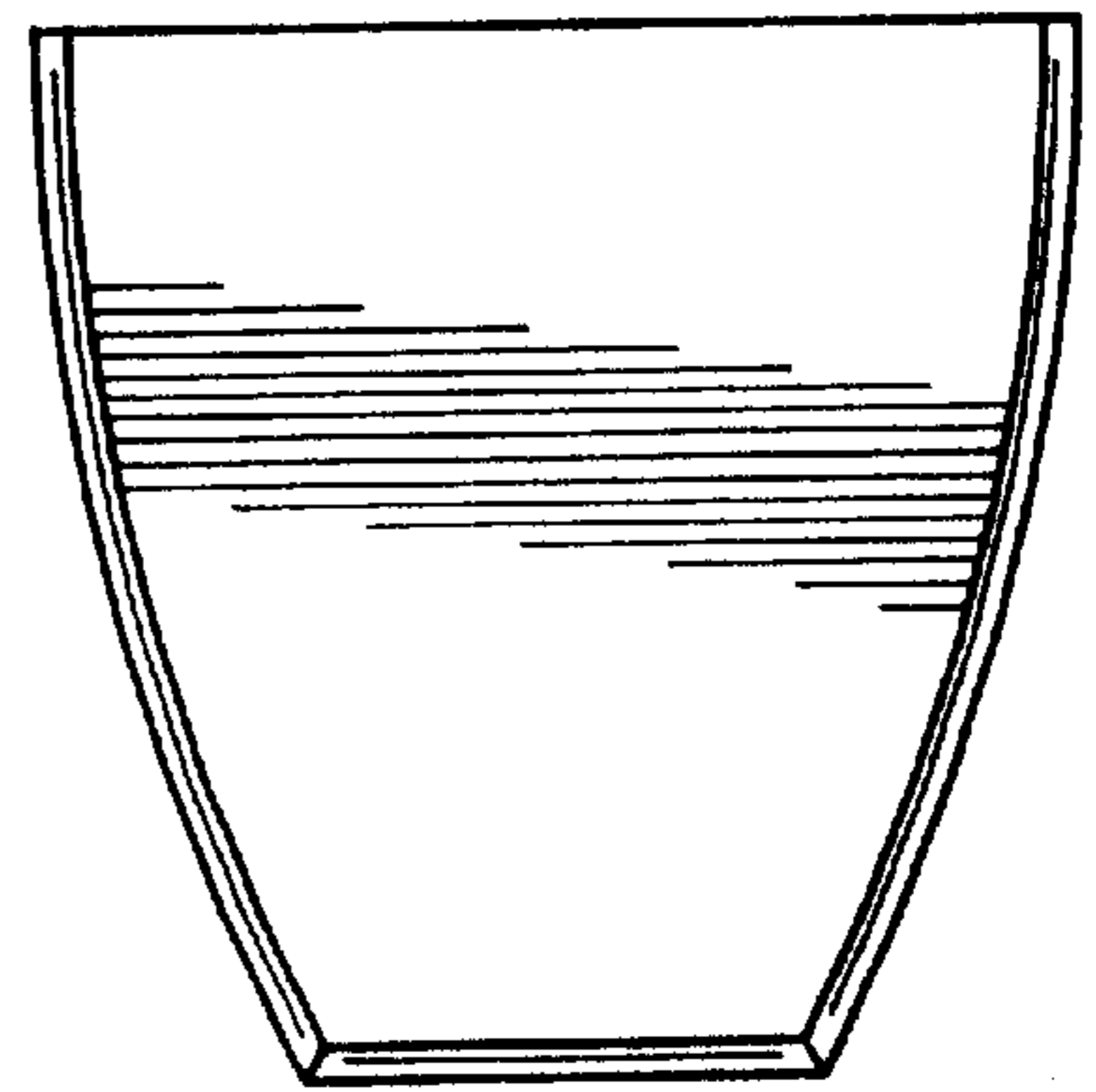


FIG. 2

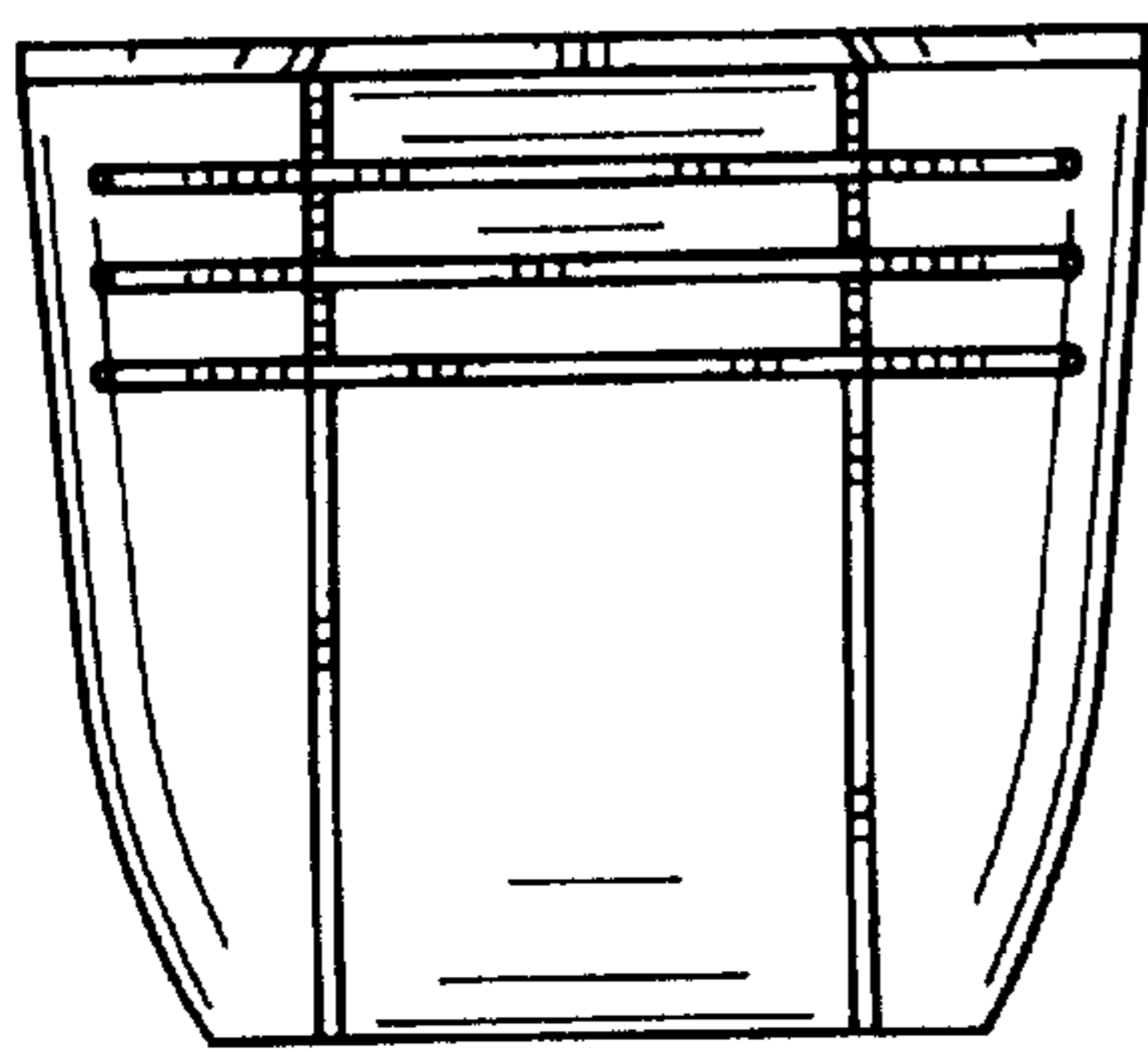


FIG. 3

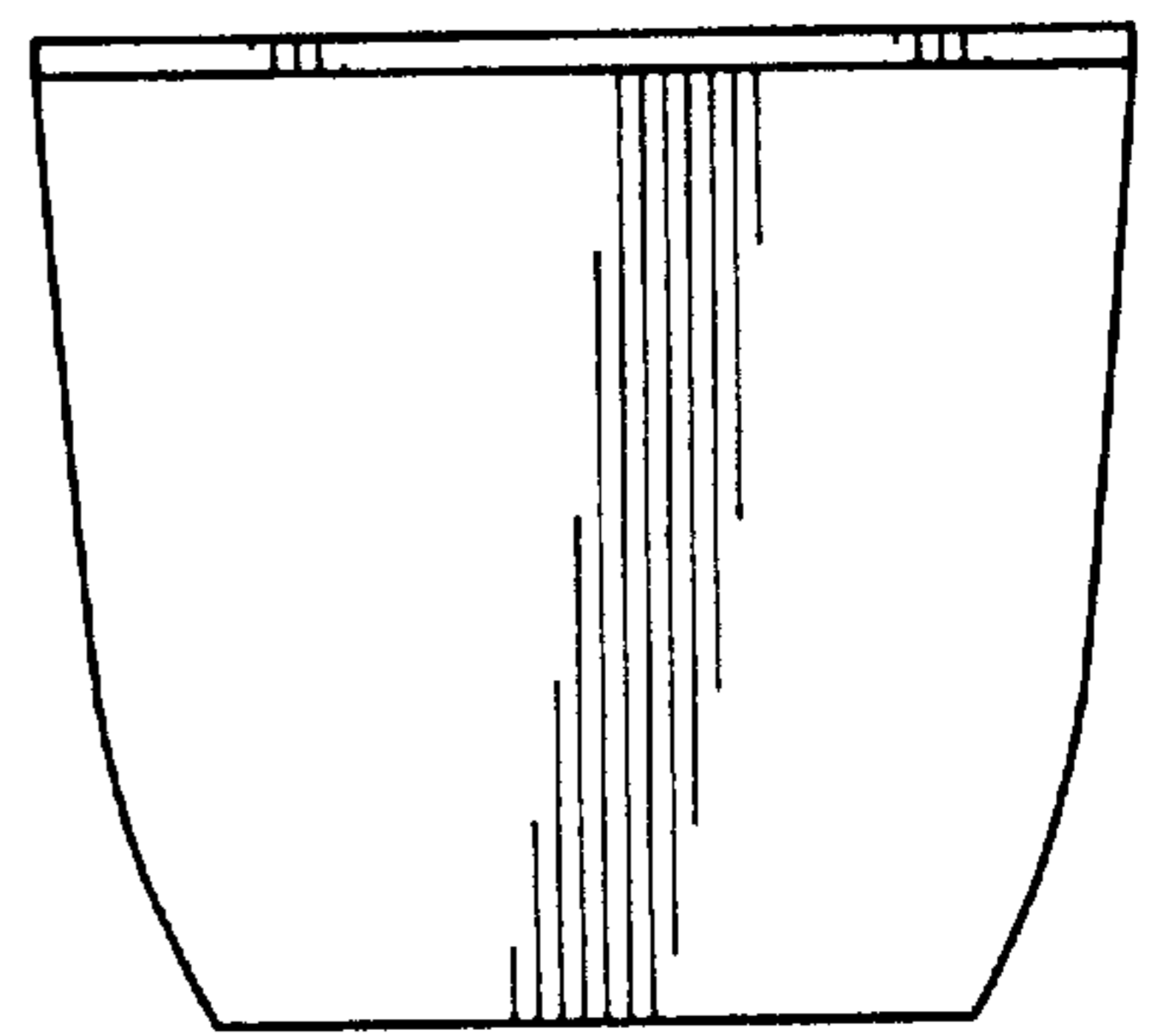


FIG. 4

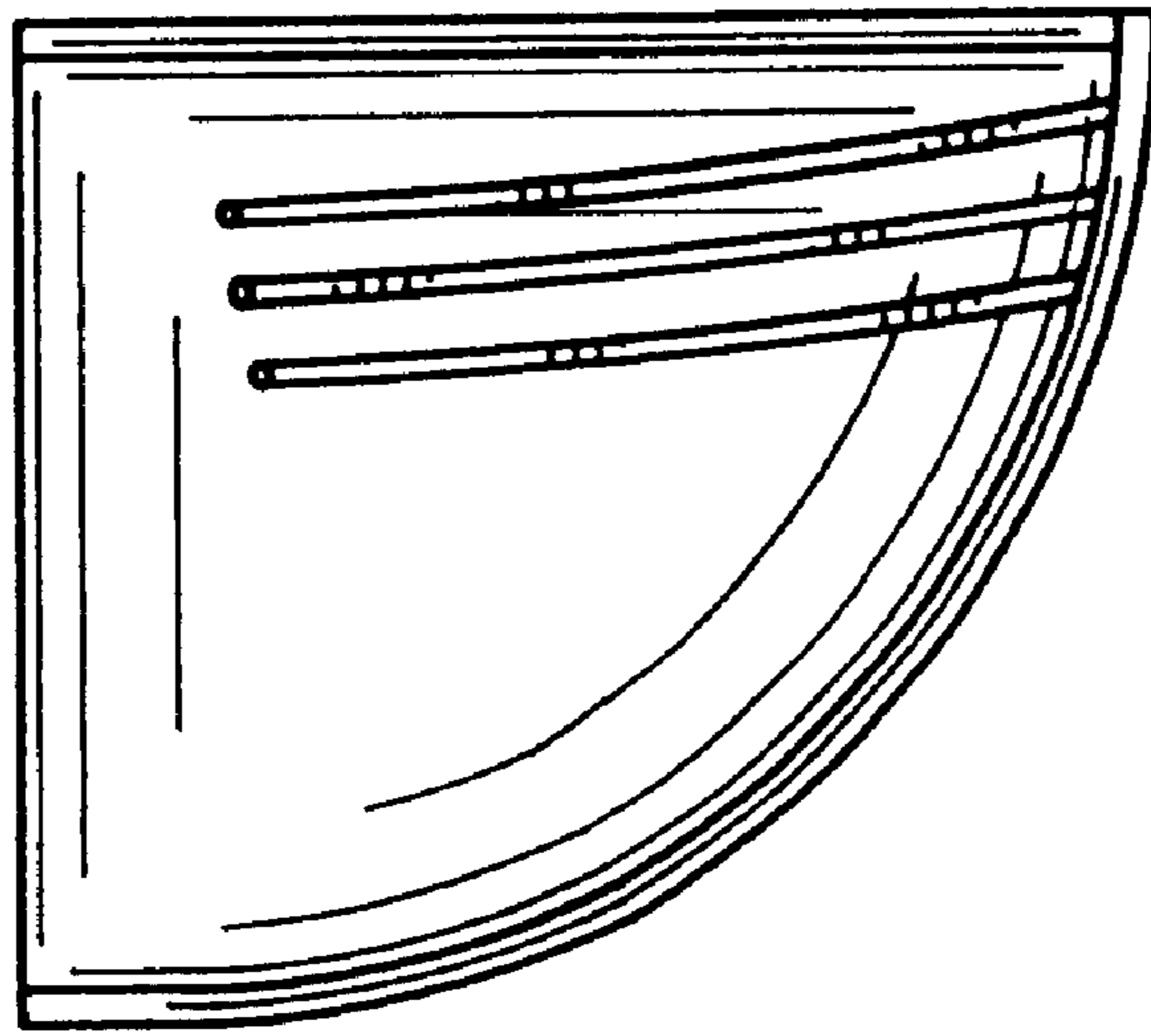


FIG. 5

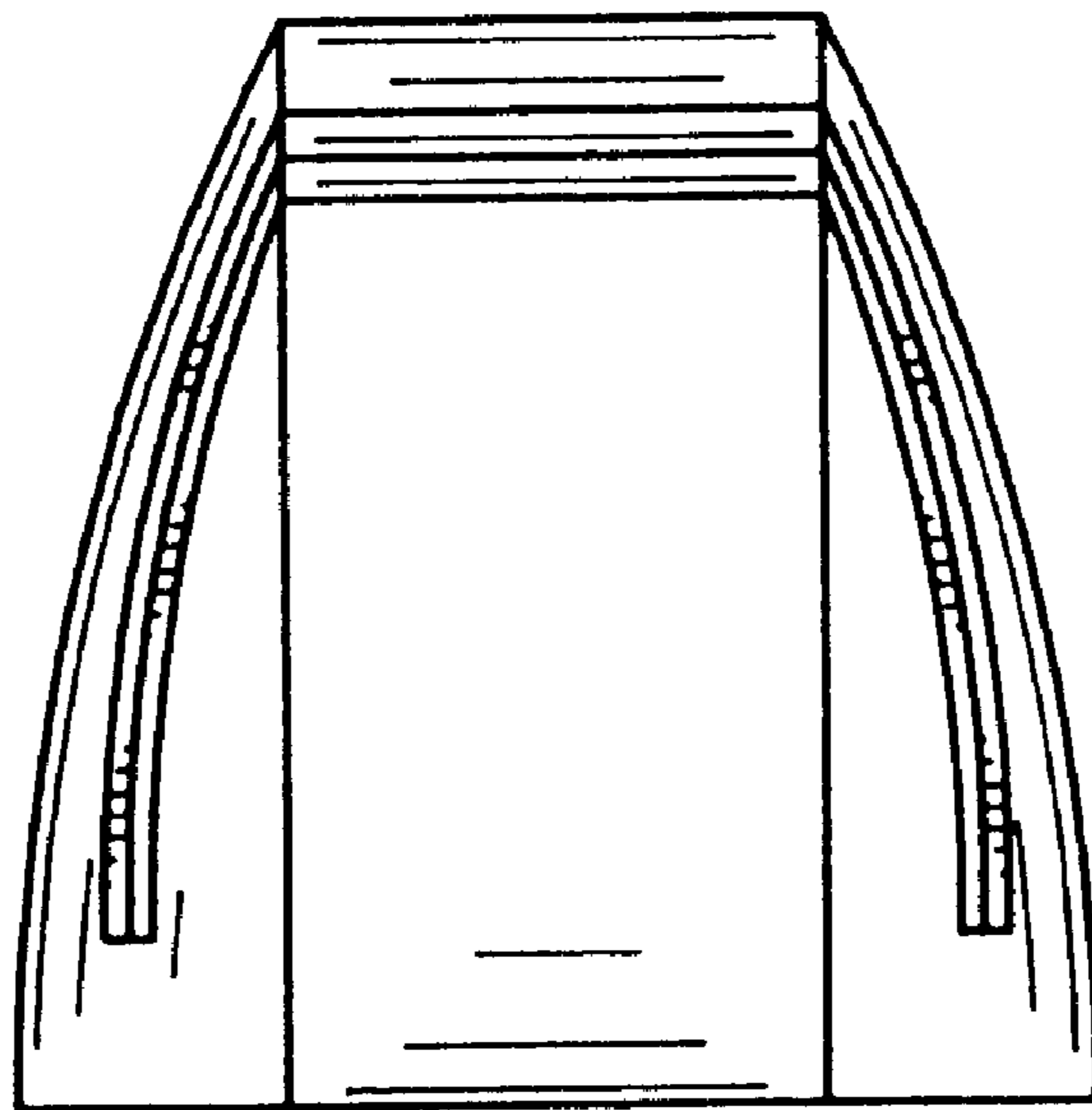


FIG. 6

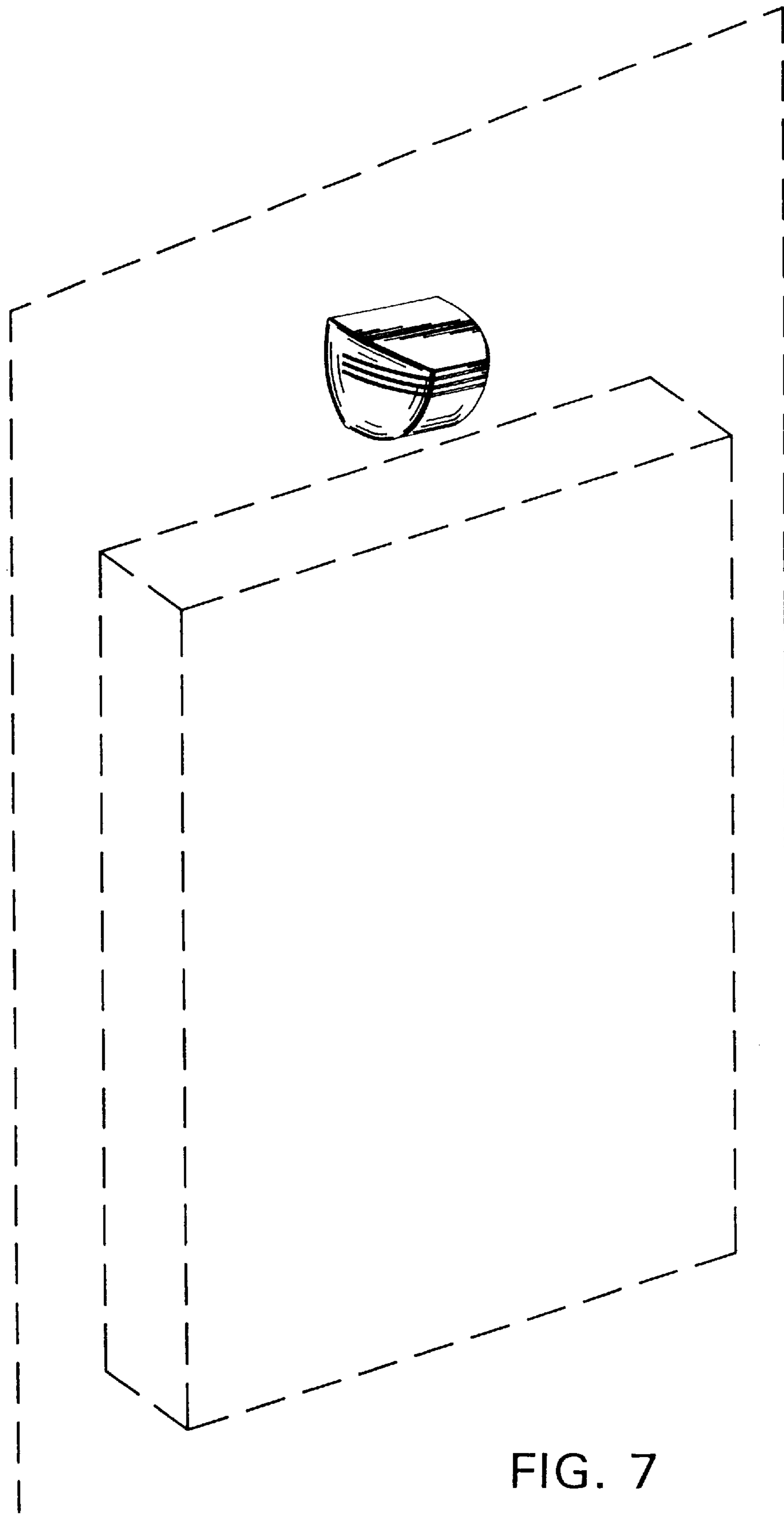


FIG. 7