



US00D464280S

(12) **United States Design Patent**
Kim et al.

(10) **Patent No.:** **US D464,280 S**

(45) **Date of Patent:** **** Oct. 15, 2002**

(54) **GATE FOR DETECTION GUN**

6,195,009 B1 * 2/2001 Irizarry et al. 340/573.4

(75) Inventors: **Suck Joon Kim**, Seocho-Ku (KR);
Byung Yong Park, Seocho-Ku (KR)

* cited by examiner

(73) Assignee: **Bangsan Technologies Inc.**, Asan (KR)

Primary Examiner—Antoine Duval Davis

(**) Term: **14 Years**

(74) *Attorney, Agent, or Firm*—McDermott, Will & Emery

(21) Appl. No.: **29/145,786**

(57) **CLAIM**

(22) Filed: **Jul. 31, 2001**

The ornamental design for a gate for detection gun, as shown and described.

(30) **Foreign Application Priority Data**

DESCRIPTION

Jan. 31, 2001 (KR) 01-2048

FIG. 1 is a perspective view of a gate for detection gun, showing my new design,

(51) **LOC (7) Cl.** **10-05**

FIG. 2 is a front elevational view thereof;

(52) **U.S. Cl.** **D10/106**

FIG. 3 is a side elevational view thereof, the opposite side elevational view being the same;

(58) **Field of Search** D10/106; 340/551,
340/571.1, 573.2–573.8

FIG. 4 is a rear elevational view thereof;

(56) **References Cited**

FIG. 5 is a top plan view thereof; and,

U.S. PATENT DOCUMENTS

FIG. 6 is bottom plan view thereof.

D297,221 S * 8/1988 Podhrasky D10/106

1 Claim, 5 Drawing Sheets

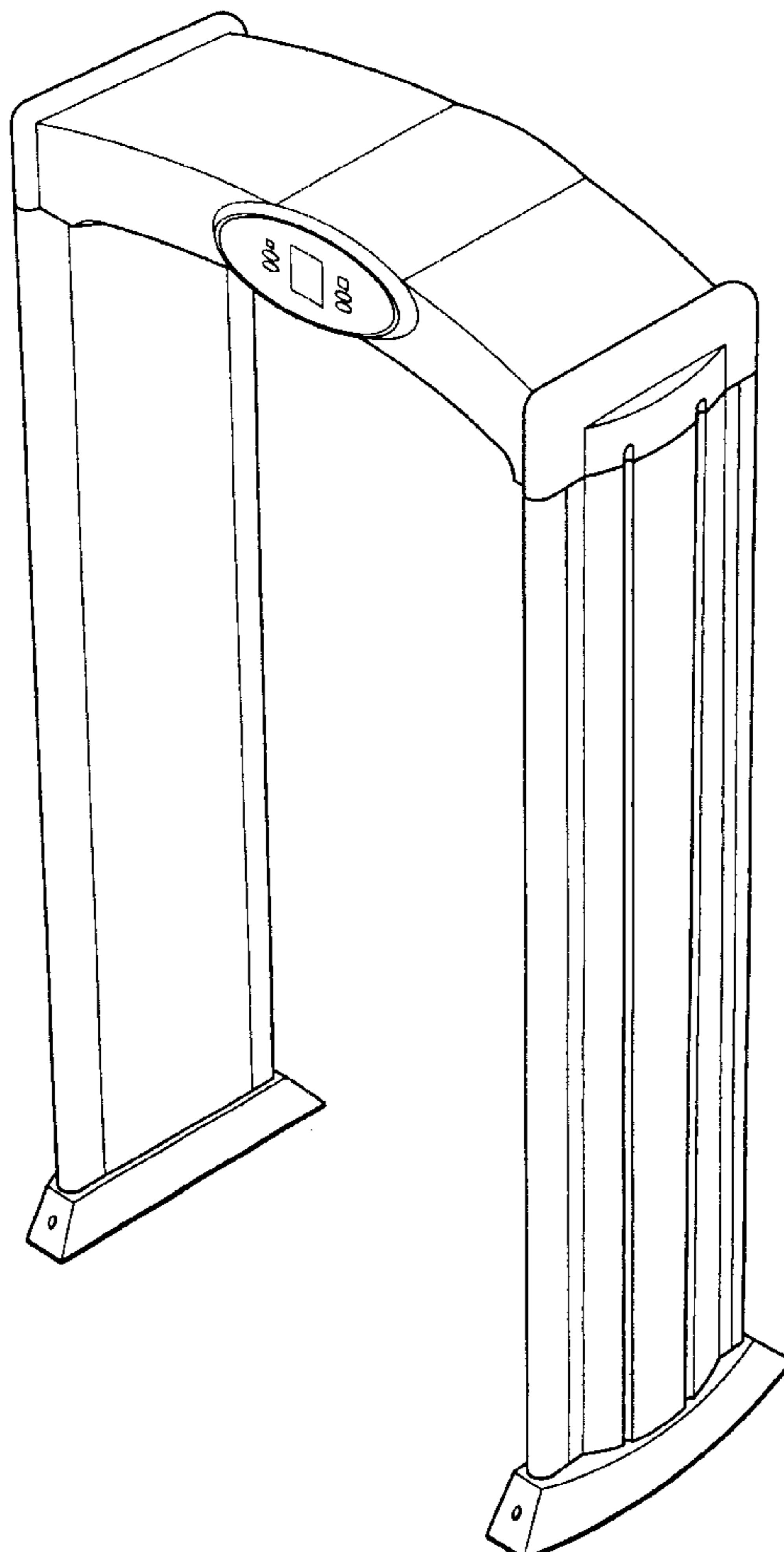


FIG. 1

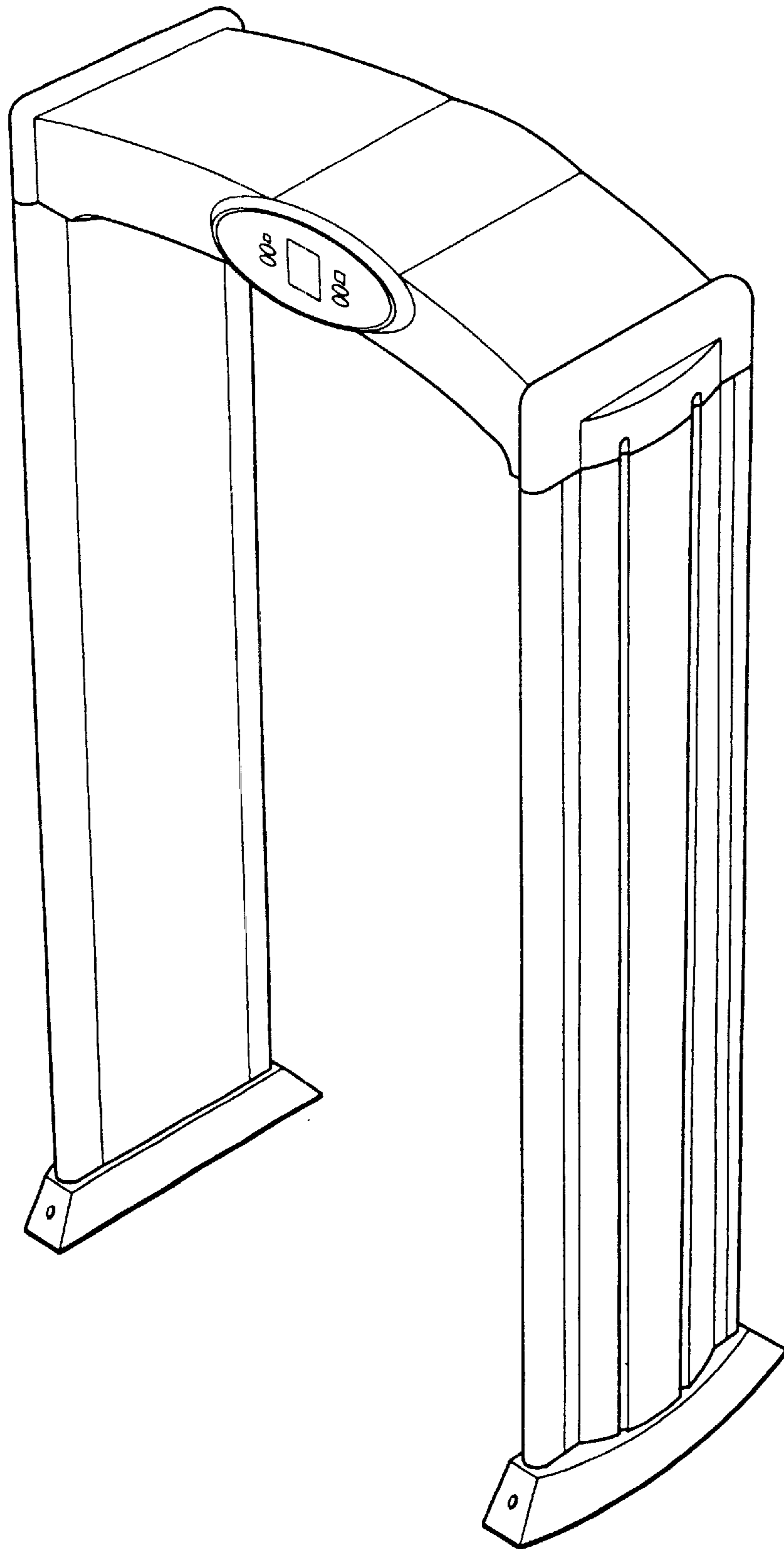


FIG. 2

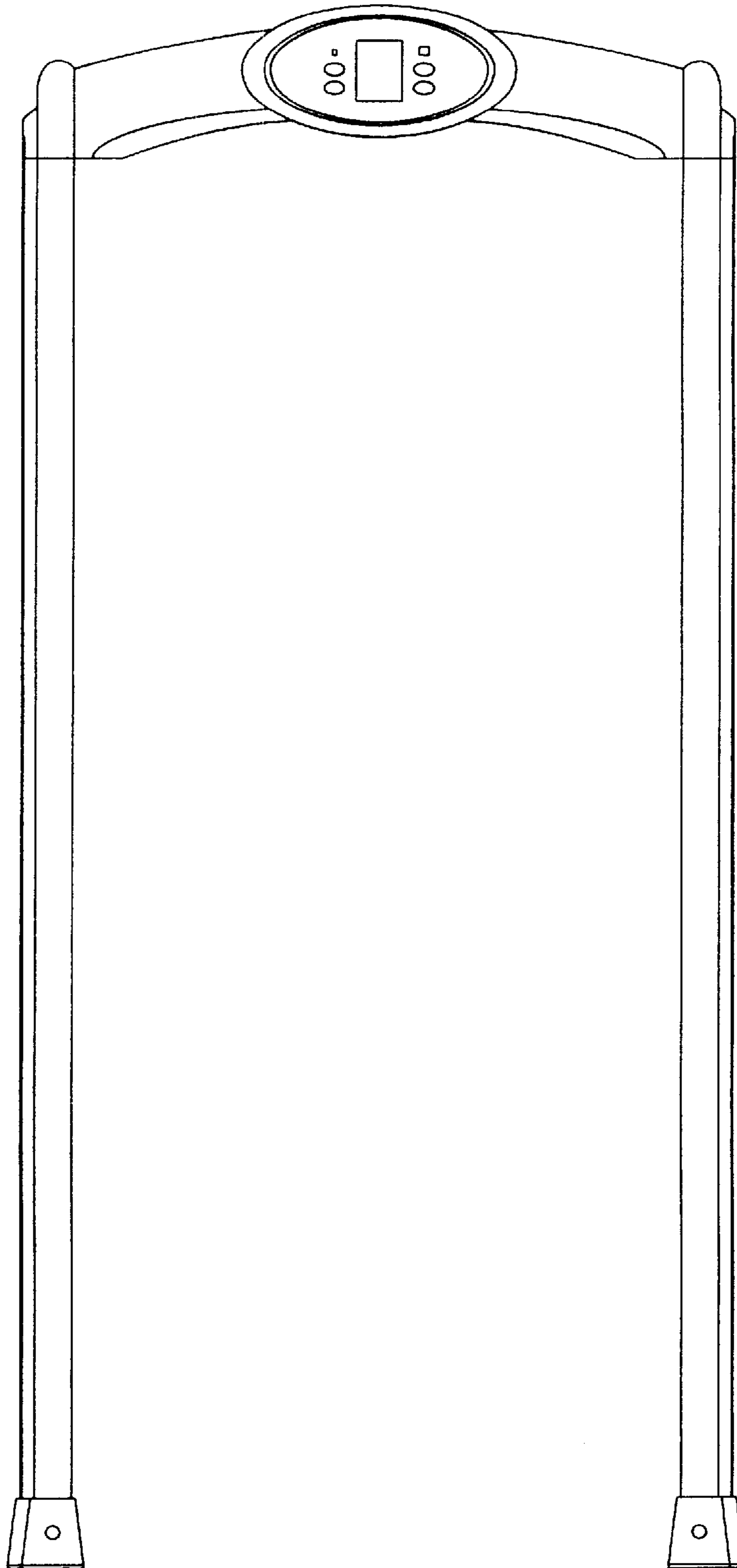


FIG. 3

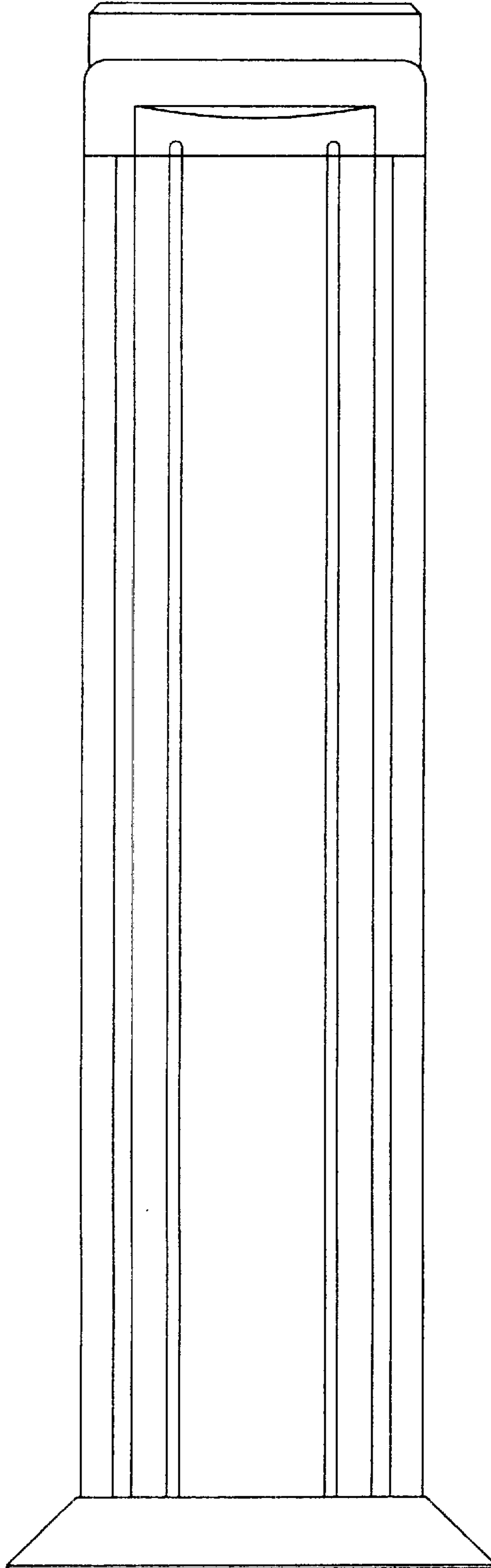


FIG. 4

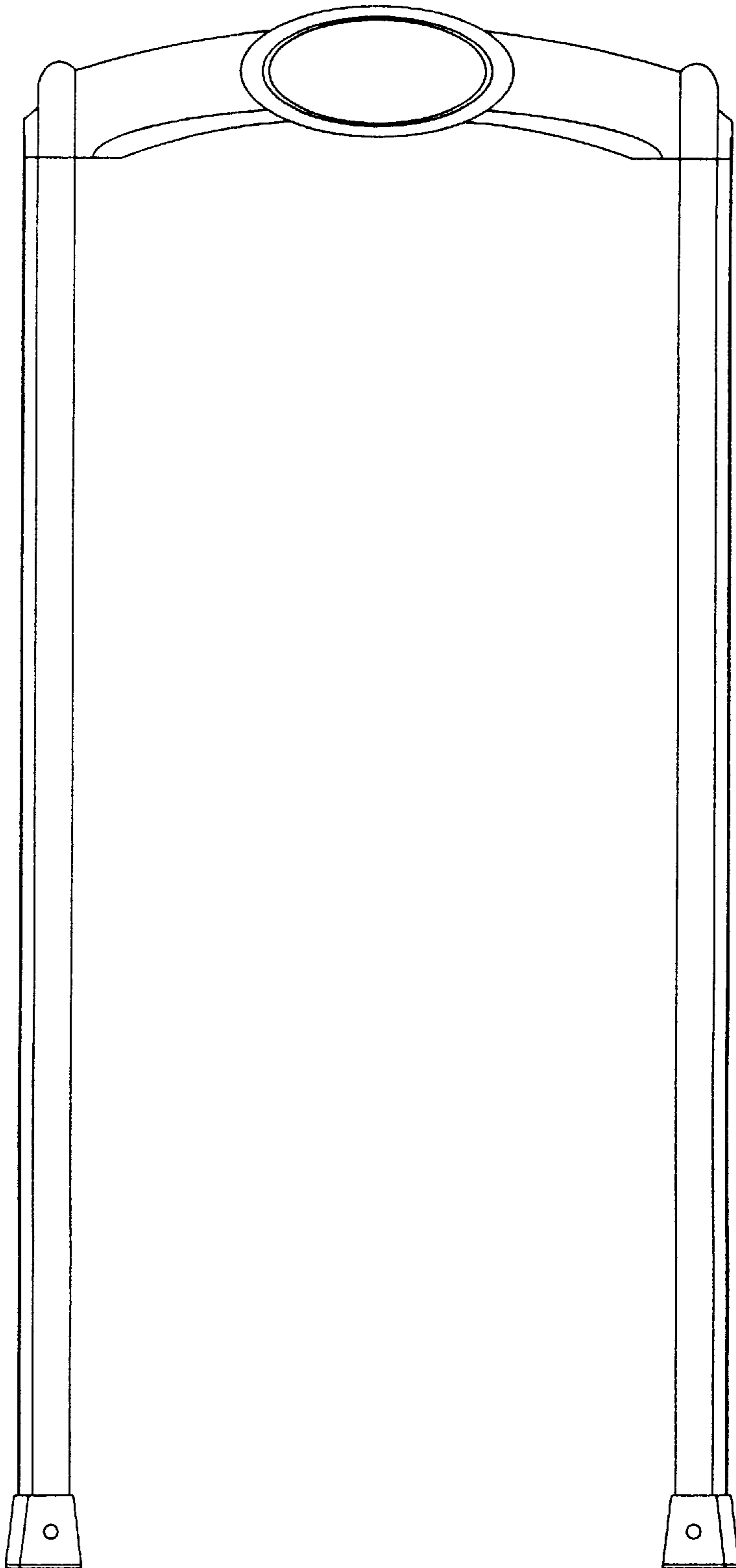


FIG. 5

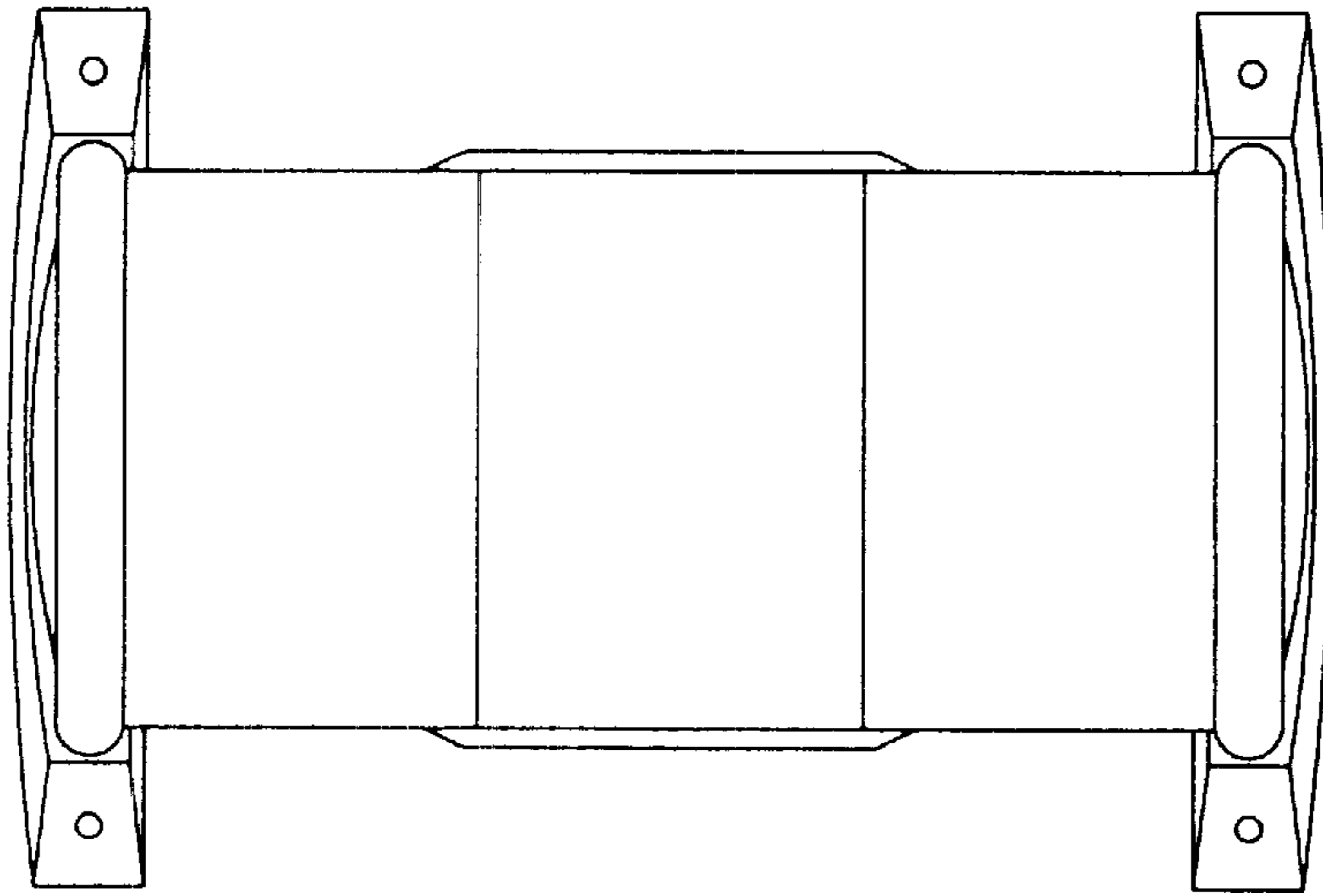


FIG. 6

