



US00D464278S

(12) **United States Design Patent**
Slocum et al.

(10) **Patent No.:** **US D464,278 S**

(45) **Date of Patent:** **** Oct. 15, 2002**

(54) **MONITOR CALIBRATION DEVICE**

6,262,804 B1 * 7/2001 Friend et al. 356/402

(75) Inventors: **David Slocum**, Yardley, PA (US);
Brain J. Levey, Yardley, PA (US);
Robert G. Cathcart, Wilmington, DE
(US); **Cormic K. Merle**, Rochester, NY
(US)

* cited by examiner

Primary Examiner—Antoine Duval Davis
(74) *Attorney, Agent, or Firm*—Calfee, Halter & Griswold
LLP

(73) Assignee: **Colorvision Administrative AG**,
Lucerne (CH)

(57) **CLAIM**

The ornamental design for a monitor calibration device, as shown.

(**) Term: **14 Years**

DESCRIPTION

(21) Appl. No.: **29/146,092**

FIG. 1 is a top isometric view of a monitor calibration device.

(22) Filed: **Aug. 3, 2001**

FIG. 2 is a bottom isometric view of the monitor calibration device.

(51) **LOC (7) Cl.** **10-04**

(52) **U.S. Cl.** **D10/81**

FIG. 3 is a front view of the monitor calibration device.

(58) **Field of Search** D10/46, 81; 356/402-422,
356/432-435; 385/145

FIG. 4 is a left side view of the monitor calibration device.

FIG. 5 is a back view of the monitor calibration device.

(56) **References Cited**

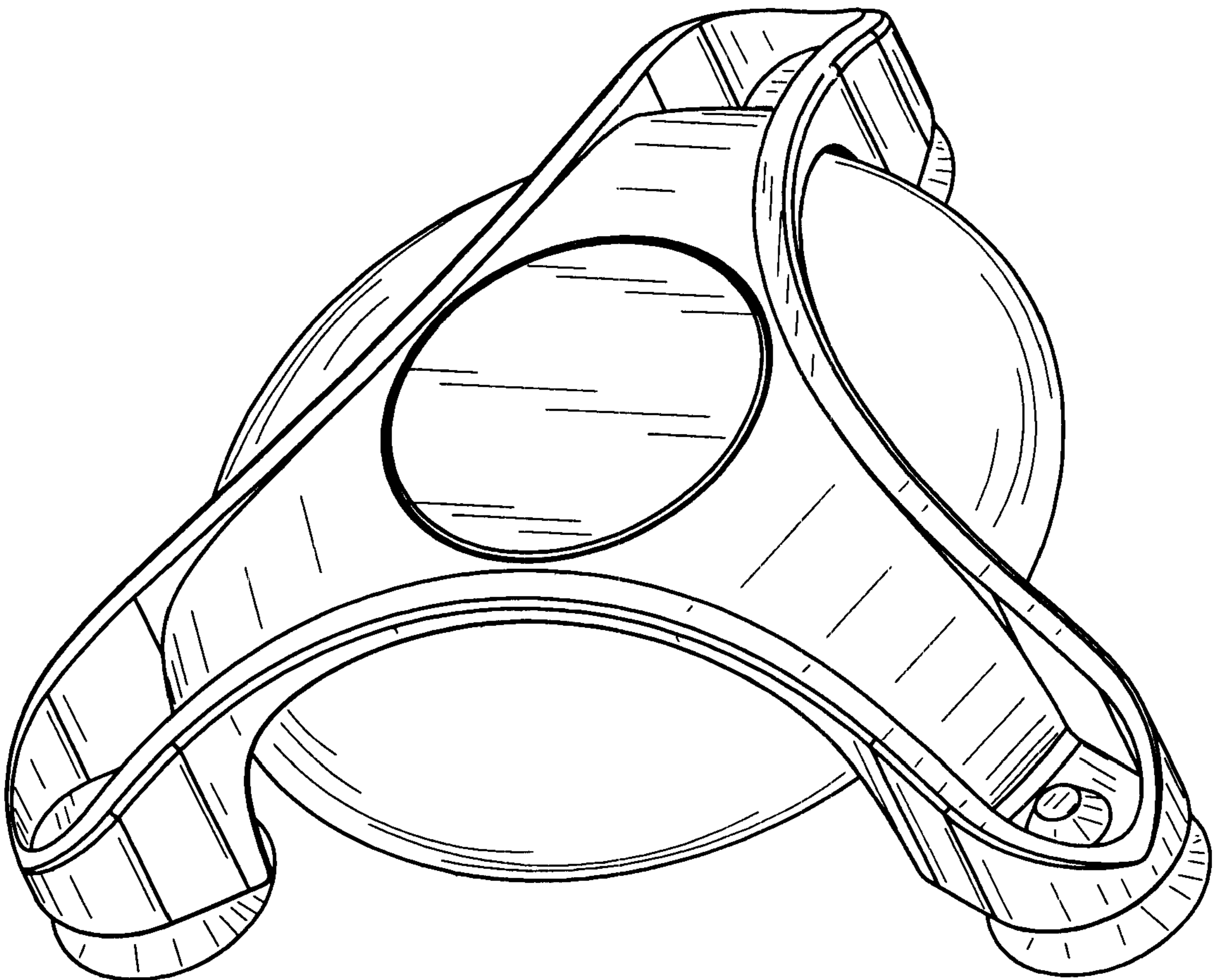
FIG. 6 is a top view of the monitor calibration device; and,

FIG. 7 is a bottom view of the monitor calibration device.

U.S. PATENT DOCUMENTS

D421,401 S * 3/2000 Schwarz et al. D10/81

1 Claim, 3 Drawing Sheets



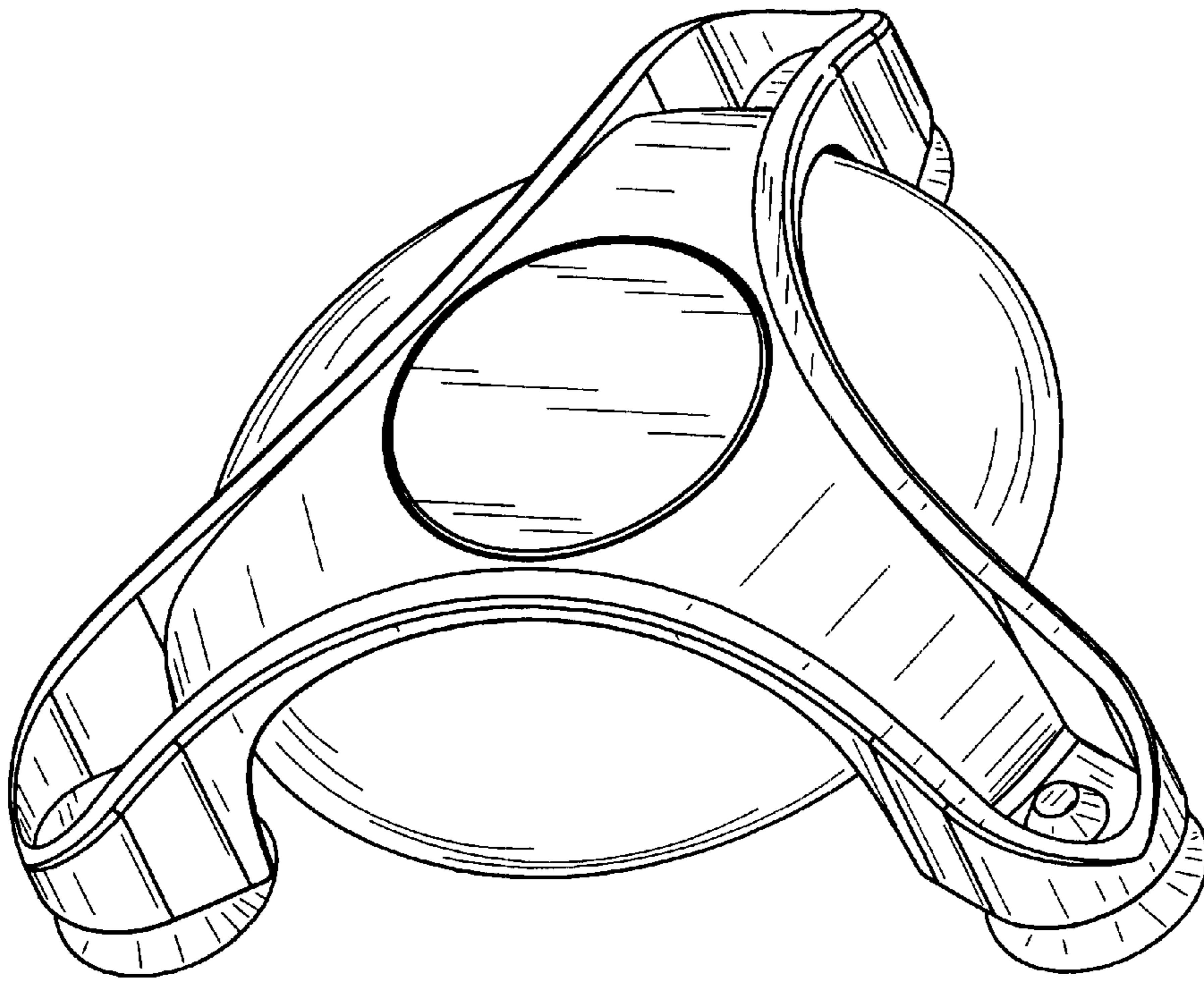


Fig.1

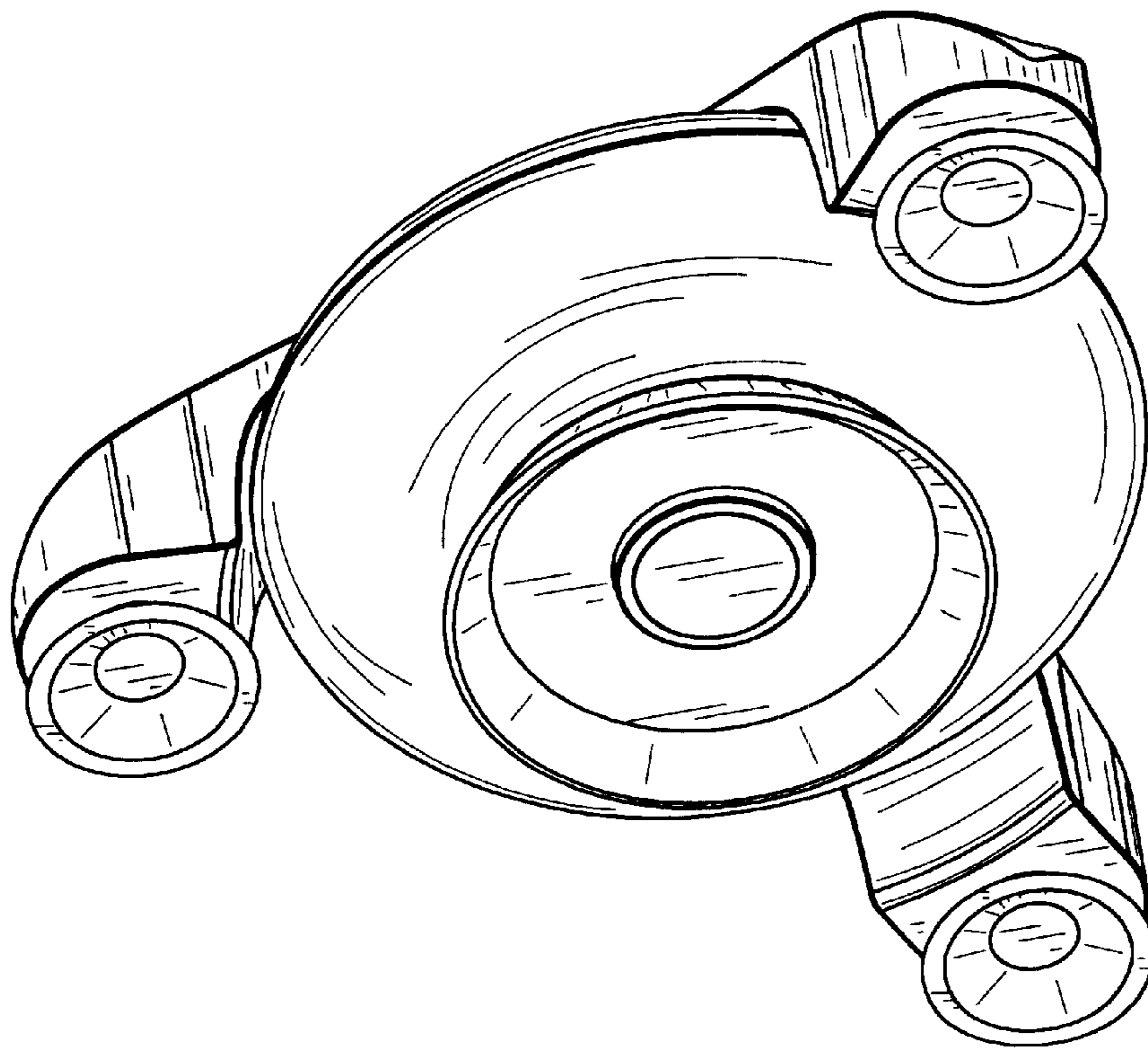


Fig.2

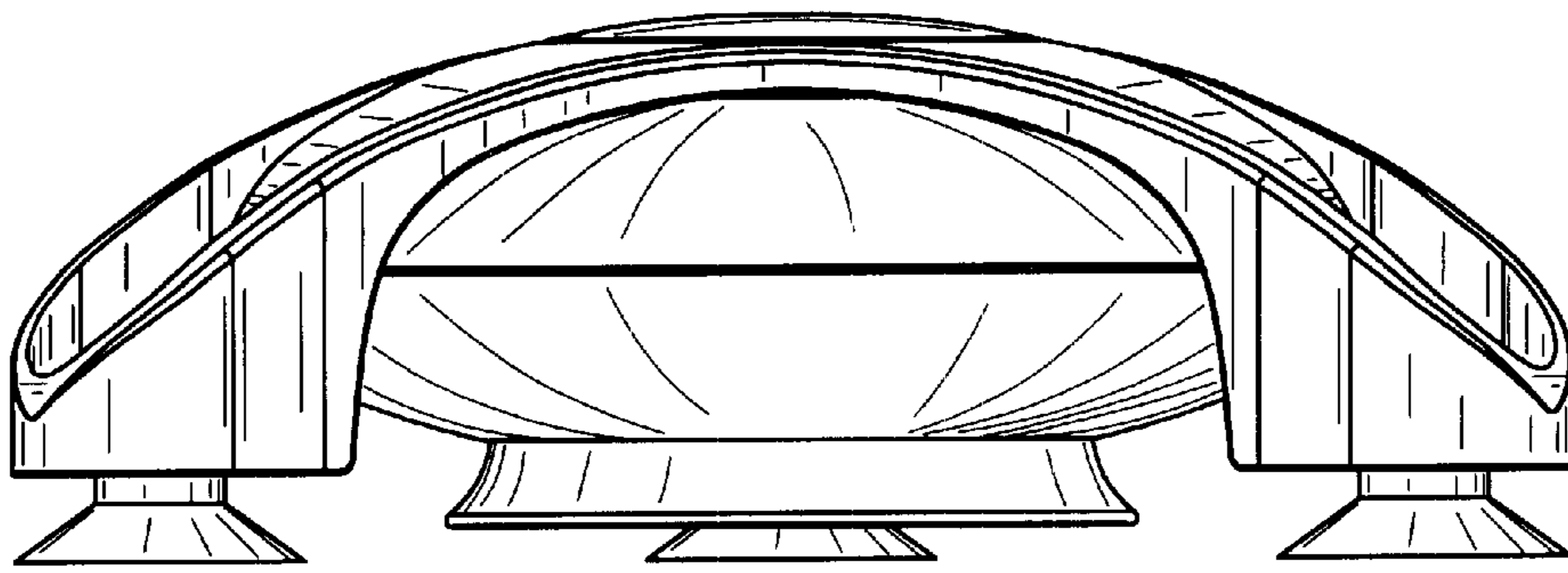


Fig.3

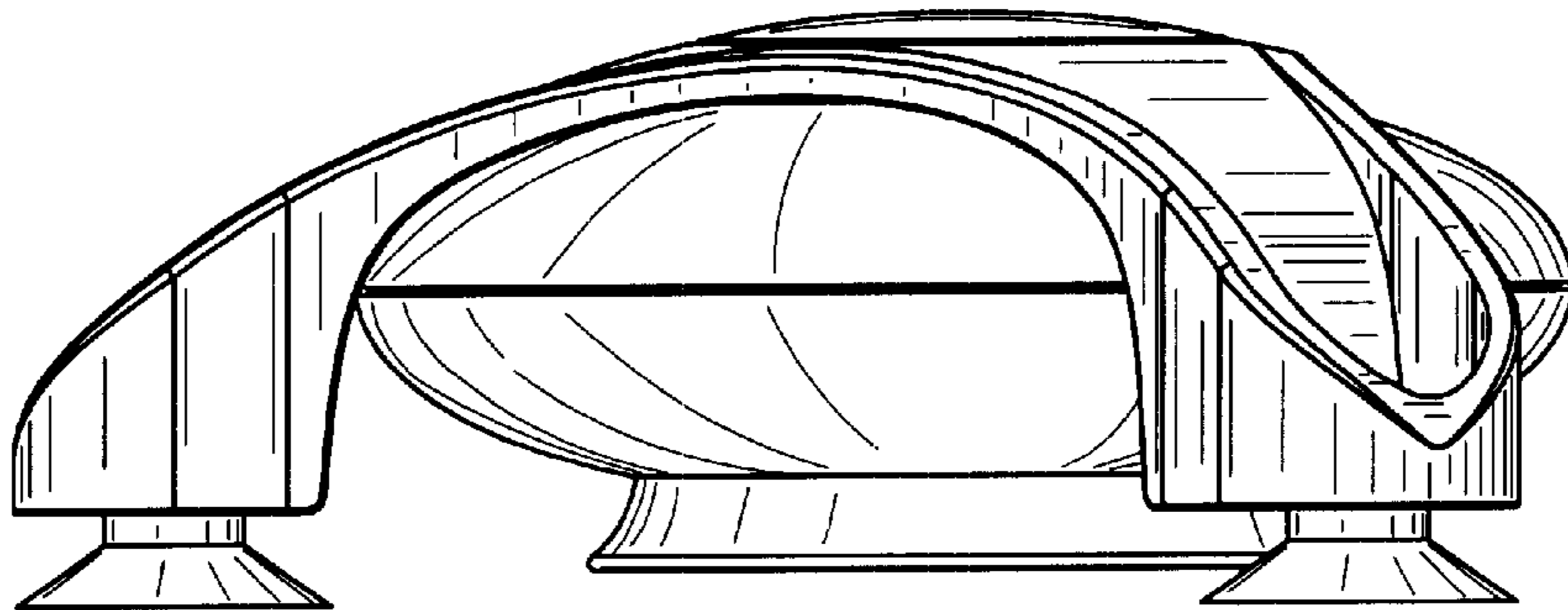


Fig.4

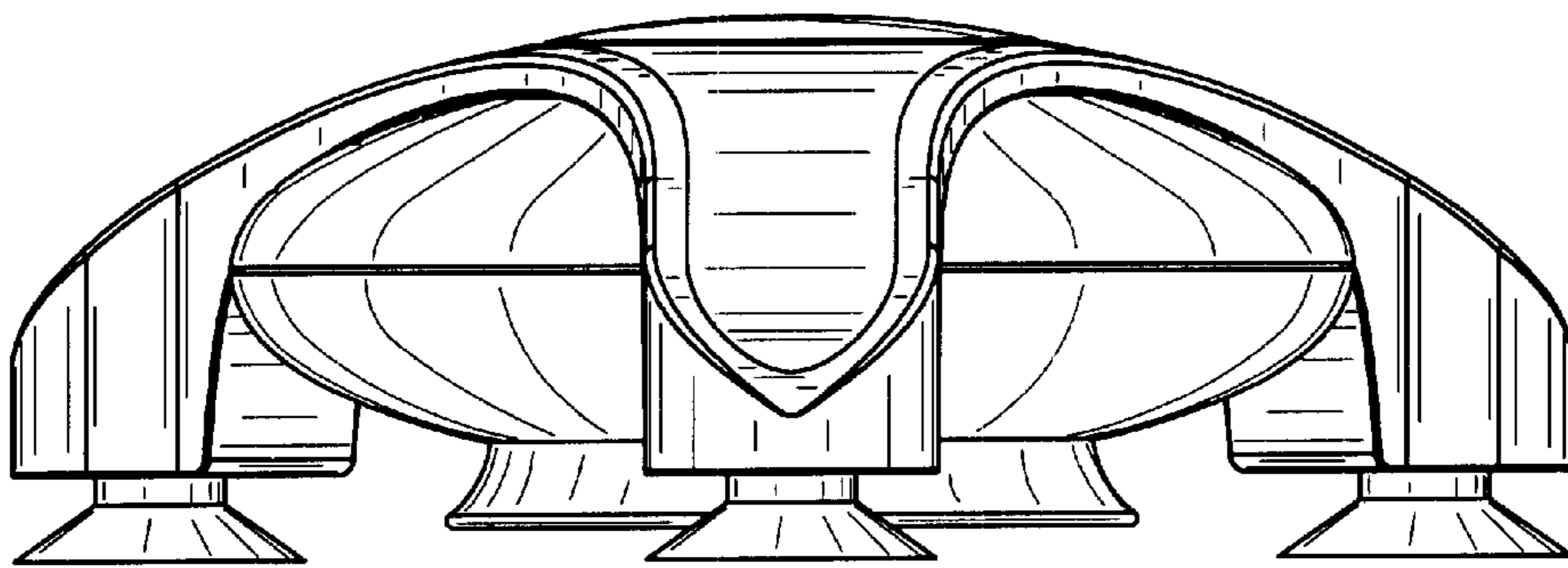


Fig.5

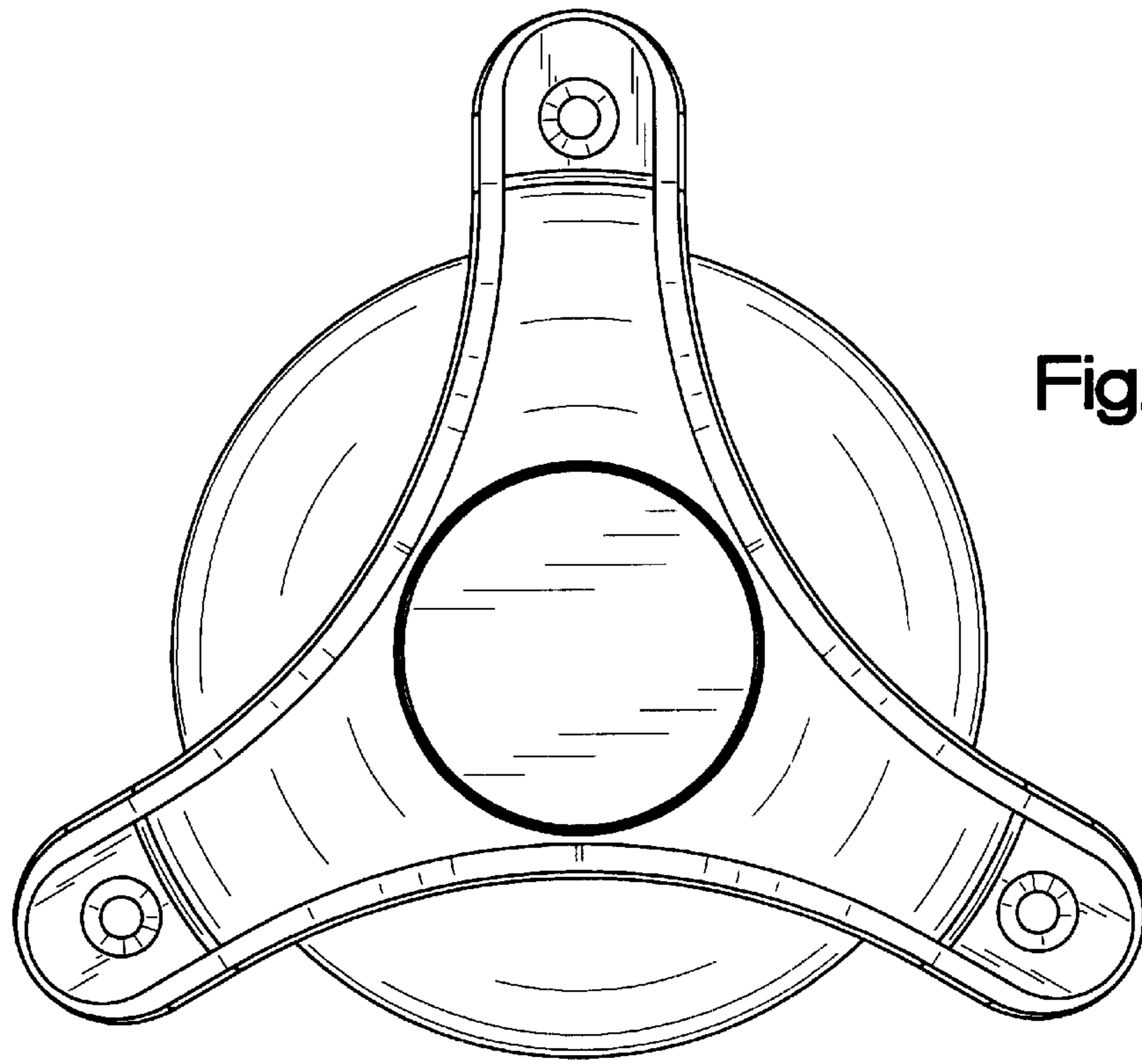


Fig.6

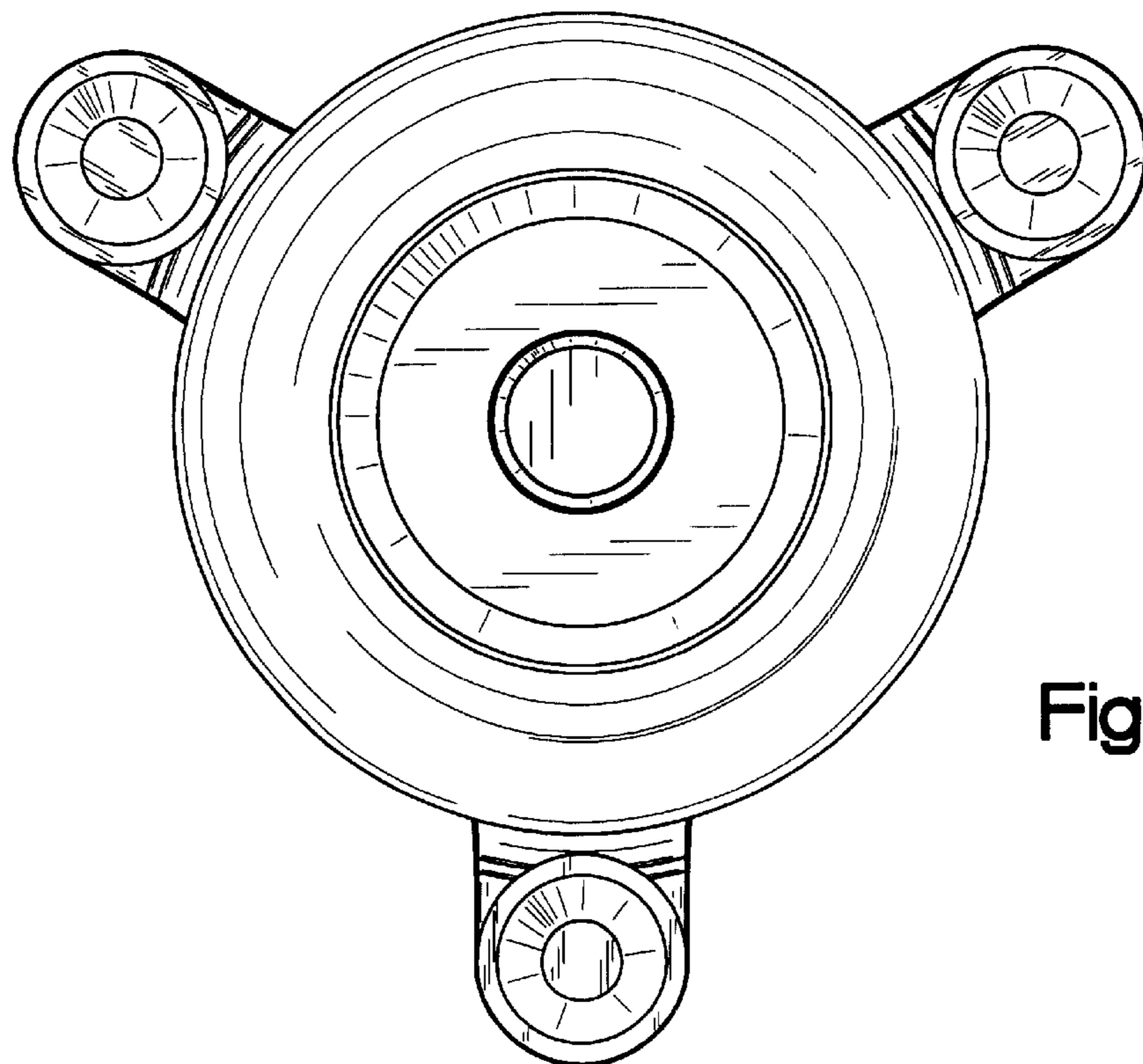


Fig.7