



US00D464268S

(12) **United States Design Patent**
Mixon

(10) **Patent No.:** **US D464,268 S**

(45) **Date of Patent:** **** Oct. 15, 2002**

(54) **BEVERAGE BOTTLE WITH GRIPS**

(76) Inventor: **Jeffrey Todd Mixon**, 3074 Hathaway Ct., Atlanta, GA (US) 30341

(**) Term: **14 Years**

(21) Appl. No.: **29/145,495**

(22) Filed: **Jul. 24, 2001**

(51) **LOC (7) Cl.** **09-01**

(52) **U.S. Cl.** **D9/539; D9/550; D9/551**

(58) **Field of Search** D9/300, 302, 500, D9/502-504, 516, 520, 529-530, 537-543, 549-551, 553, 556-558, 563-564, 569-570, 574; 215/381-385, 400, 6, 371-377

(56) **References Cited**

U.S. PATENT DOCUMENTS

D370,415 S	*	6/1996	Seppala	D9/537
D385,799 S	*	11/1997	Balz et al.	D9/559
D397,616 S	*	9/1998	Chen	D9/540
D408,684 S	*	4/1999	Helm	D7/510
D436,042 S	*	1/2001	Krishnakumar et al.	D9/537
D442,492 S	*	5/2001	Krishnakumar et al.	D9/537
D443,827 S	*	6/2001	Krishnakumar et al.	D9/537
D445,693 S	*	7/2001	Rashid	D9/538
D446,127 S	*	8/2001	Adee et al.	D9/563
D446,457 S	*	8/2001	Krishnakumar et al.	D9/537
D447,061 S	*	8/2001	Peek	D9/549

D447,690 S	*	9/2001	Lichtman et al.	D9/434
D456,245 S	*	4/2002	Ferris	D9/337
6,372,318 B1	*	4/2002	Collette et al.	428/35.7
D457,065 S	*	5/2002	Krishnakumar et al.	D9/537

* cited by examiner

Primary Examiner—Ted Shooman

Assistant Examiner—Carol Rademaker

(74) *Attorney, Agent, or Firm*—Pennie & Edmonds LLP

(57) **CLAIM**

The ornamental design for a beverage bottle with grips, as shown and described.

DESCRIPTION

FIG. 1 is a top, front and side perspective view of an ornamental design for a beverage bottle with grips according to the present invention;

FIG. 2 is a front elevation view thereof, the rear elevation being identical thereto, except for the unclaimed threads;

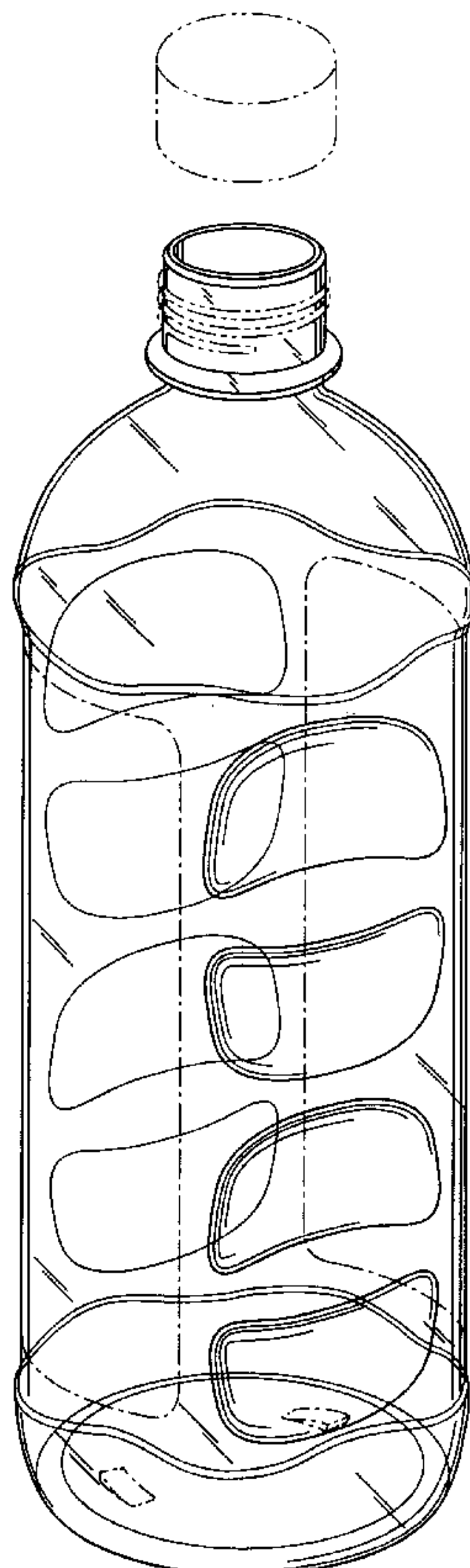
FIG. 3 is a left side elevation view thereof, the right side elevation view being a mirror image thereto, except for the unclaimed threads.

FIG. 4 is a top plan view thereof; and,

FIG. 5 is a bottom plan view thereof.

All portions shown in broken lines are environmental and illustrative only and form no part of the claimed design.

1 Claim, 4 Drawing Sheets



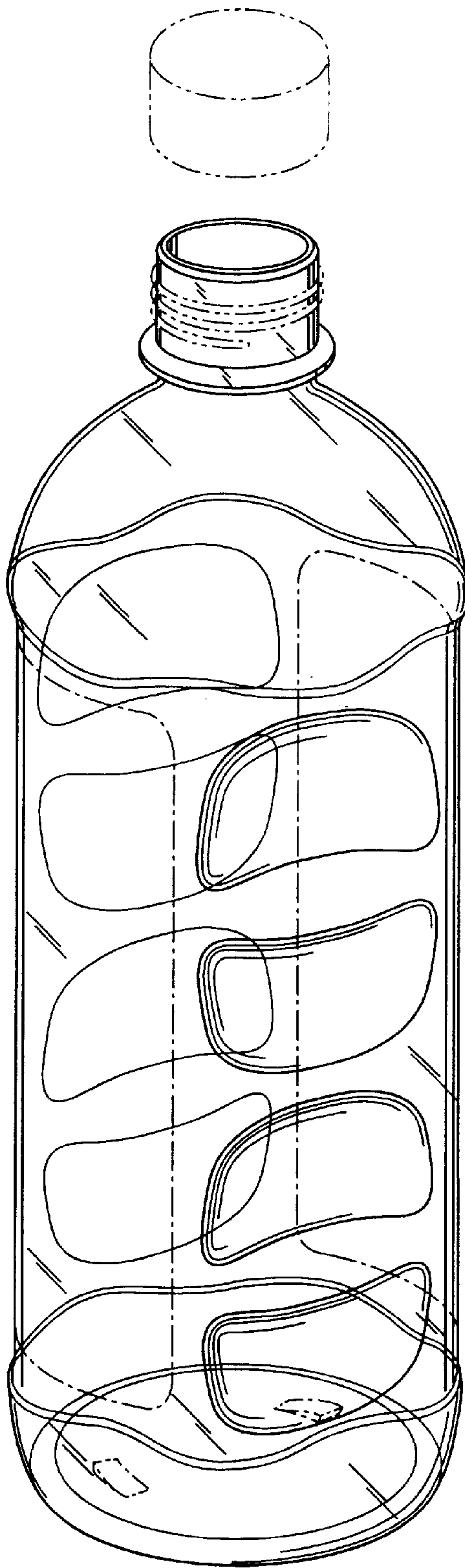


Fig. 1

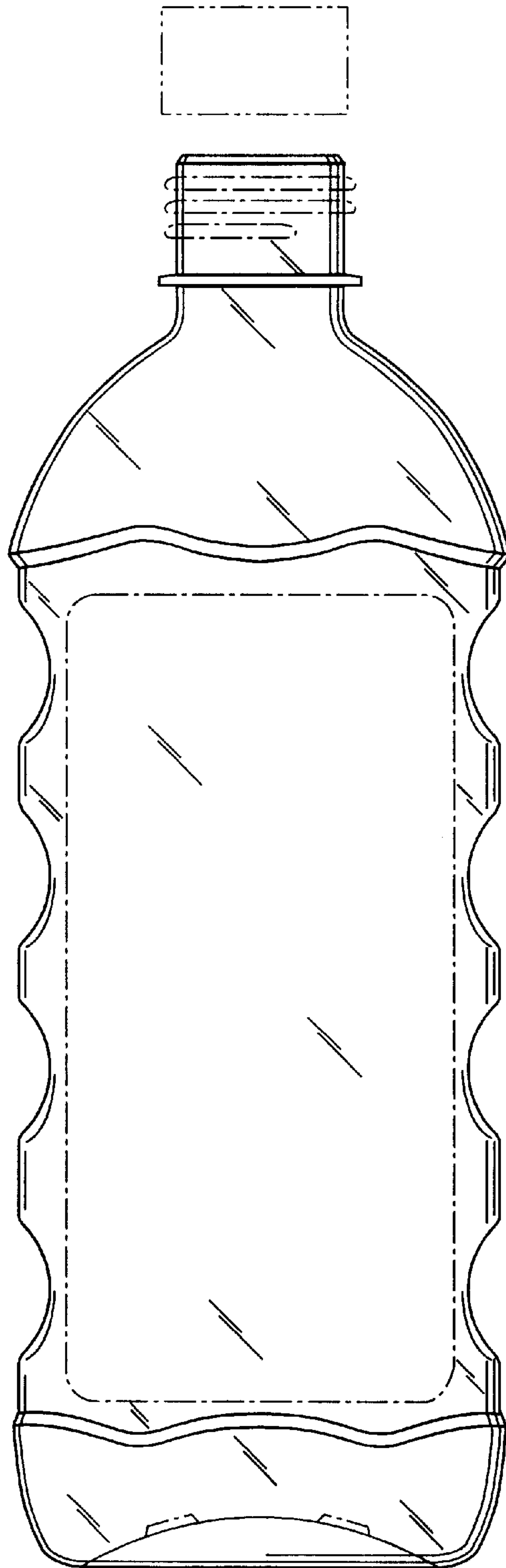


Fig. 2

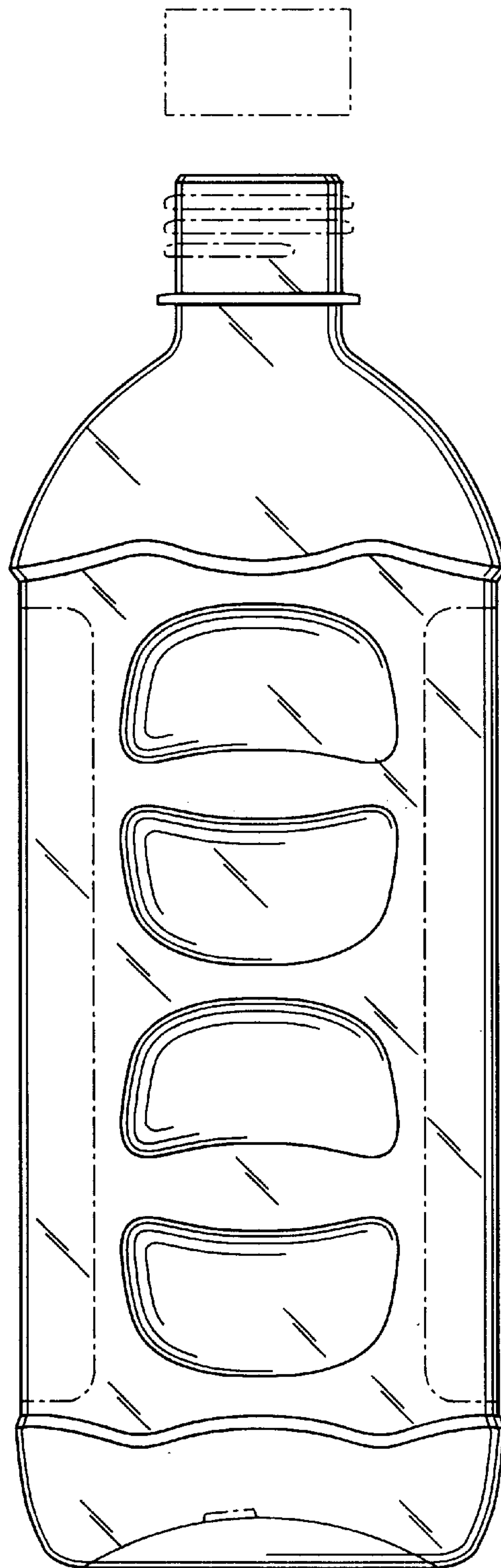


Fig. 3

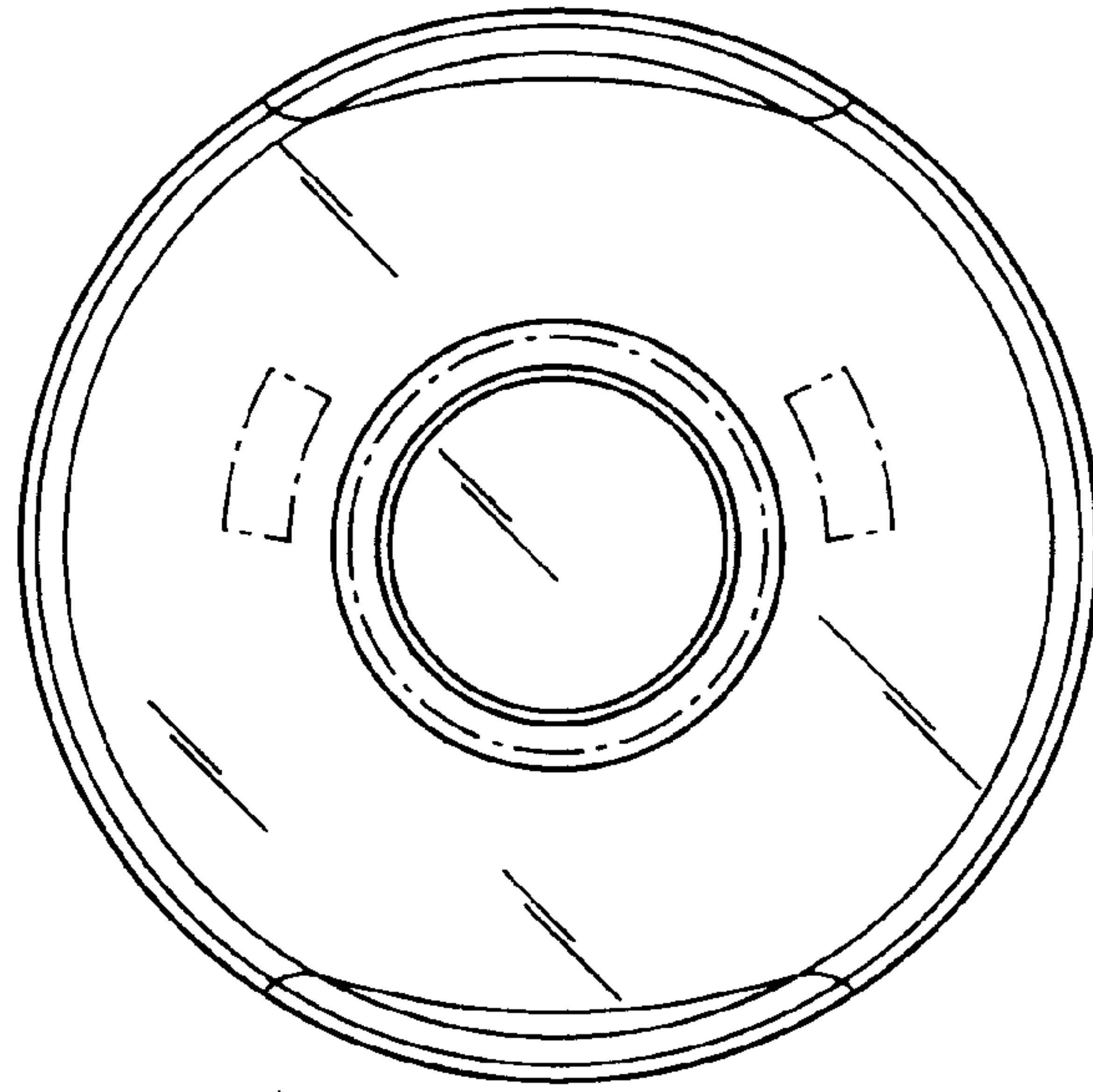


Fig. 4

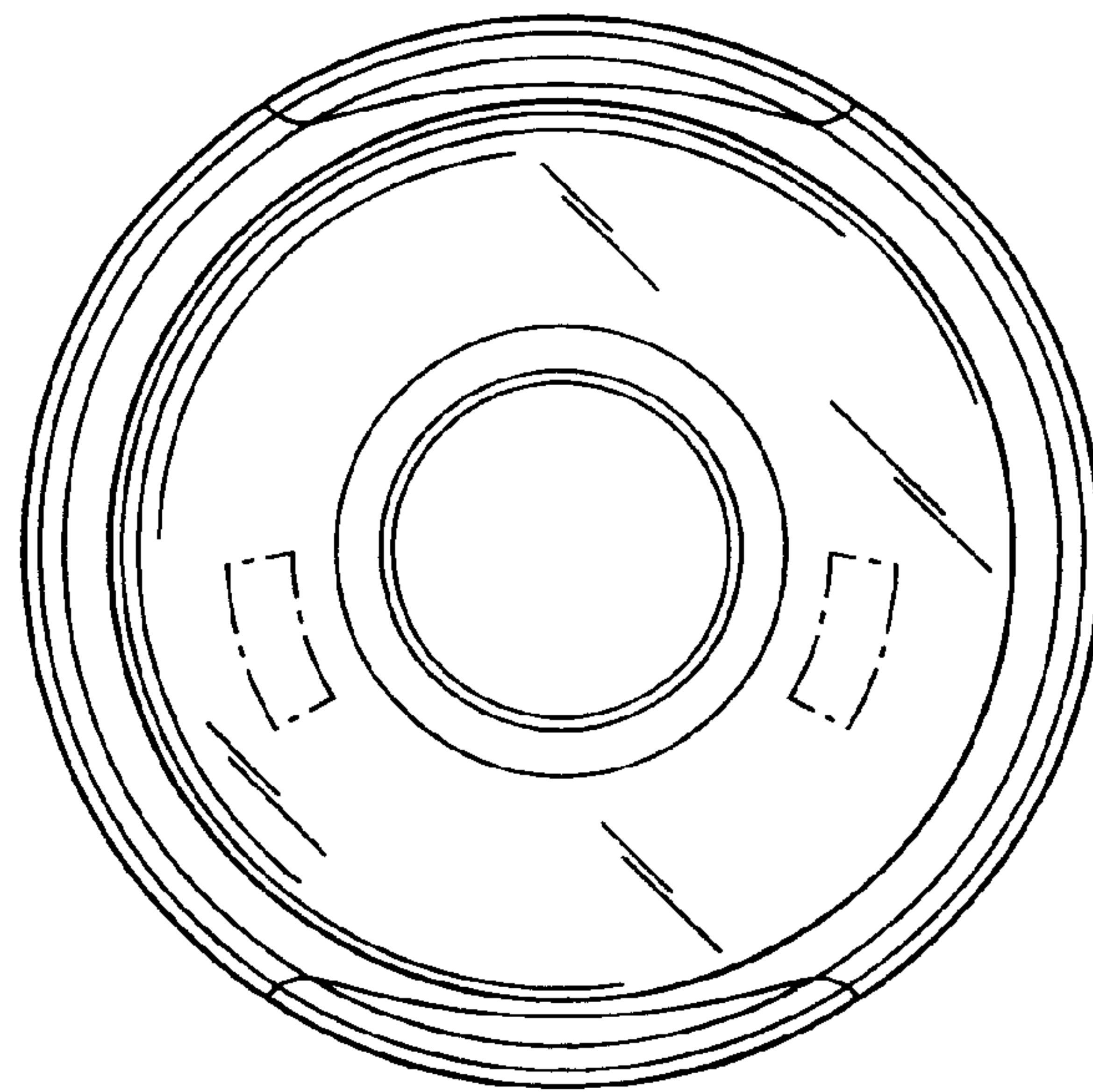


Fig. 5