



US00D464267S

(12) **United States Design Patent**
Mixon

(10) **Patent No.:** **US D464,267 S**

(45) **Date of Patent:** **** Oct. 15, 2002**

(54) **BEVERAGE BOTTLE WITH TAPERED GRIPS**

D446,457 S * 8/2001 Krishnakumar et al. D9/537
D447,697 S * 9/2001 Schultz et al. D9/542
6,372,318 B1 * 4/2002 Collette et al. 215/375 X
D457,065 S * 5/2002 Krishnakumar et al. D9/537

(76) Inventor: **Jeffrey Todd Mixon**, 3074 Hathaway Ct., Atlanta, GA (US) 30341

* cited by examiner

(**) Term: **14 Years**

Primary Examiner—Ted Shooman

Assistant Examiner—Carol Rademaker

(21) Appl. No.: **29/145,466**

(74) *Attorney, Agent, or Firm*—Pennie & Edmonds LLP

(22) Filed: **Jul. 24, 2001**

(57) **CLAIM**

(51) **LOC (7) Cl.** **09-01**

The ornamental design for a beverage bottle with tapered grips, as shown and described.

(52) **U.S. Cl.** **D9/539**; D9/551; D9/571

(58) **Field of Search** D9/300, 302, 500, D9/502–504, 516, 520, 529–530, 537–543, 549–551, 553, 556–558, 563–564, 569–570, 574; 215/381–385, 400, 6, 371–377

DESCRIPTION

(56) **References Cited**

U.S. PATENT DOCUMENTS

D221,133 S	*	7/1971	Wikke	D9/529
D229,889 S	*	1/1974	Brody	D9/542
D337,525 S	*	7/1993	Collette et al.	D9/542
D379,154 S	*	5/1997	Cox	D9/540
D385,799 S	*	11/1997	Balz et al.	D9/559
D404,310 S	*	1/1999	Martin	D9/537
D436,042 S	*	1/2001	Krishnakumar et al.	D9/537
D442,492 S	*	5/2001	Krishnakumar et al.	D9/537
D443,827 S	*	6/2001	Krishnakumar et al.	D9/537
D445,693 S	*	7/2001	Rashid	D9/538
D446,127 S	*	8/2001	Adee et al.	D9/563

FIG. 1 is a top, front and side perspective view of an ornamental design for a beverage bottle with tapered grips according to the present invention;

FIG. 2 is a left side elevation view thereof, the right side elevation being identical thereto, except for the unclaimed threads.

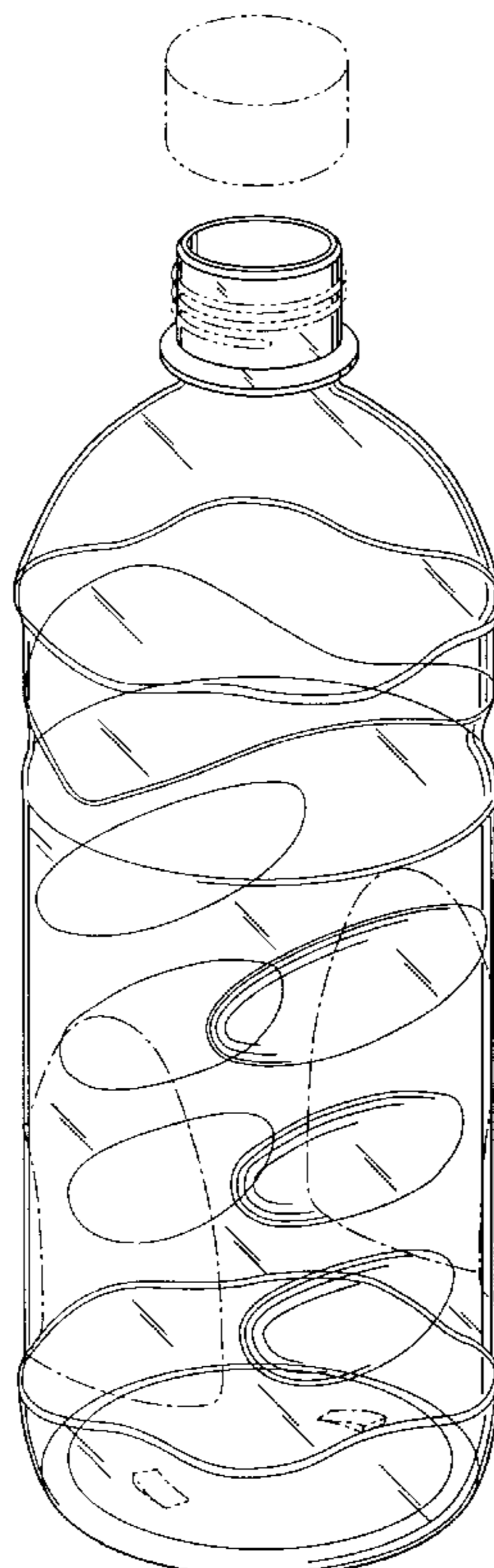
FIG. 3 is a left side elevation view thereof, the right side elevation view being a mirror image thereto, except for the unclaimed threads.

FIG. 4 is a top plan view thereof; and,

FIG. 5 is a bottom plan view thereof.

All portions shown in broken lines are environmental and illustrative only and form no part of the claimed design.

1 Claim, 4 Drawing Sheets



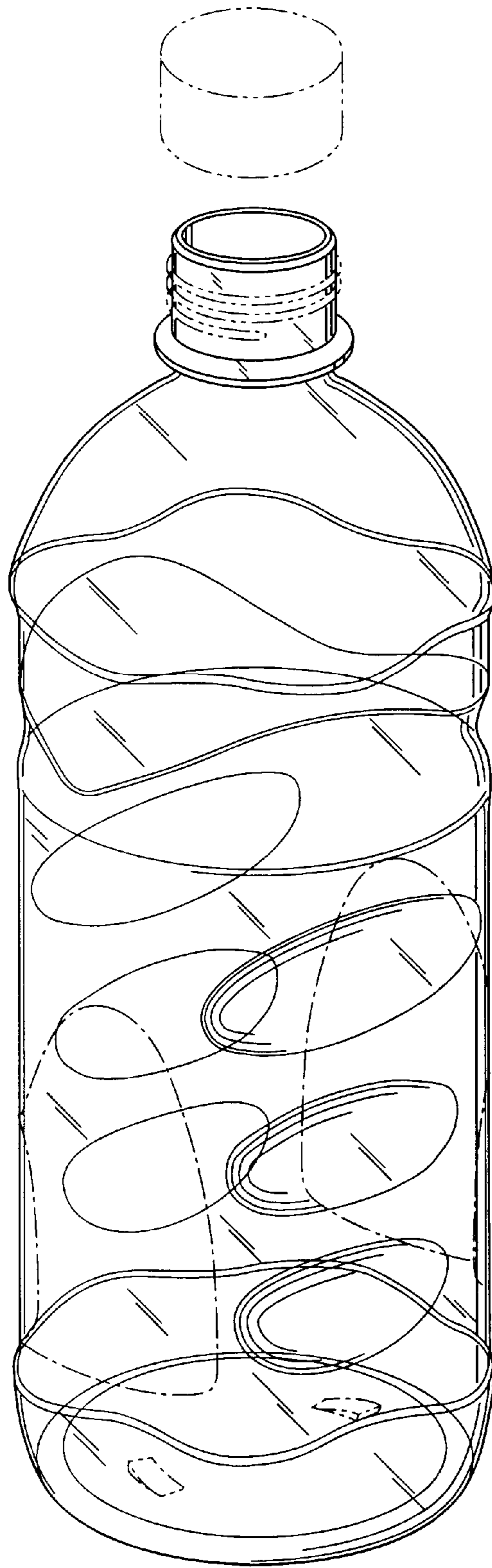


Fig. 1

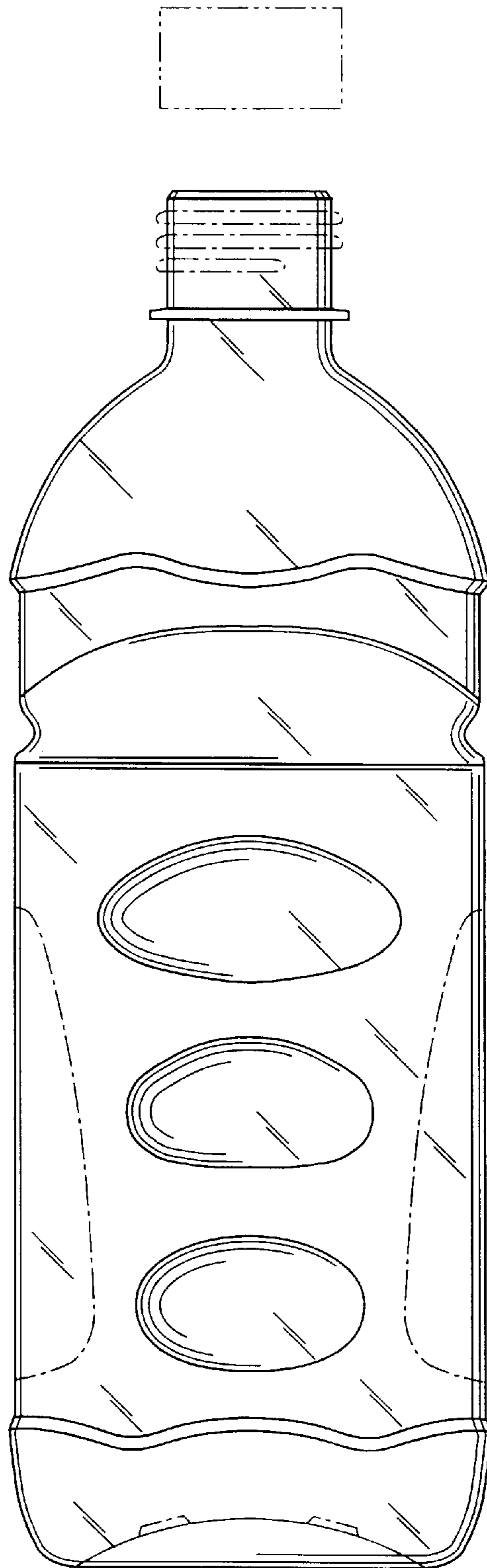


Fig. 2

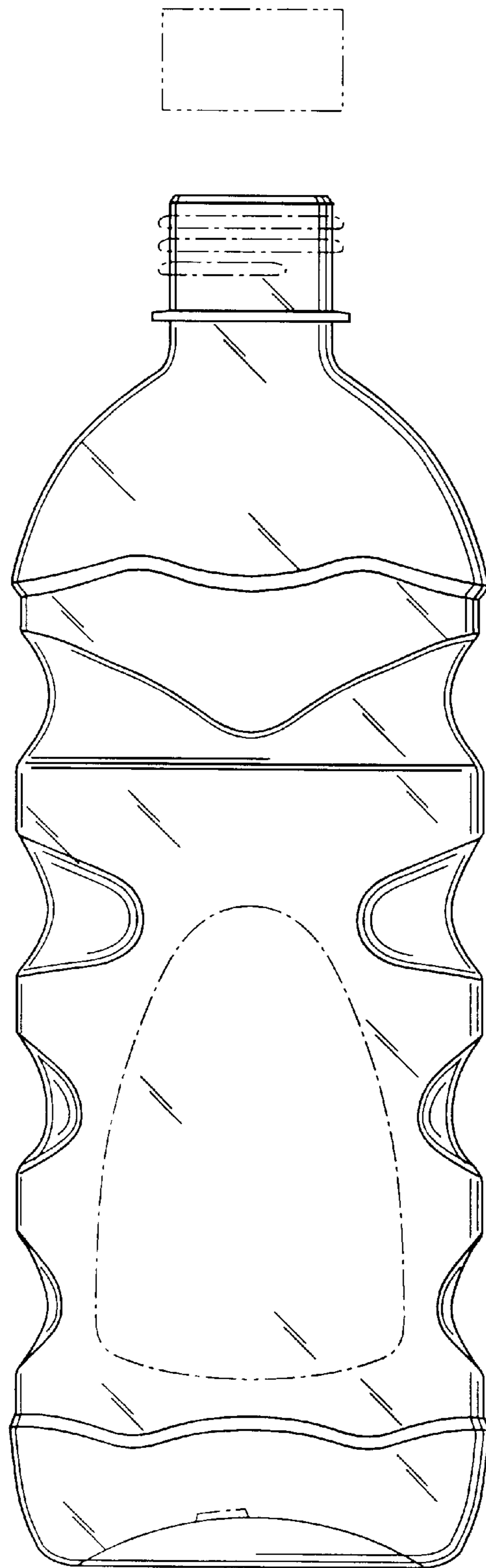


Fig. 3

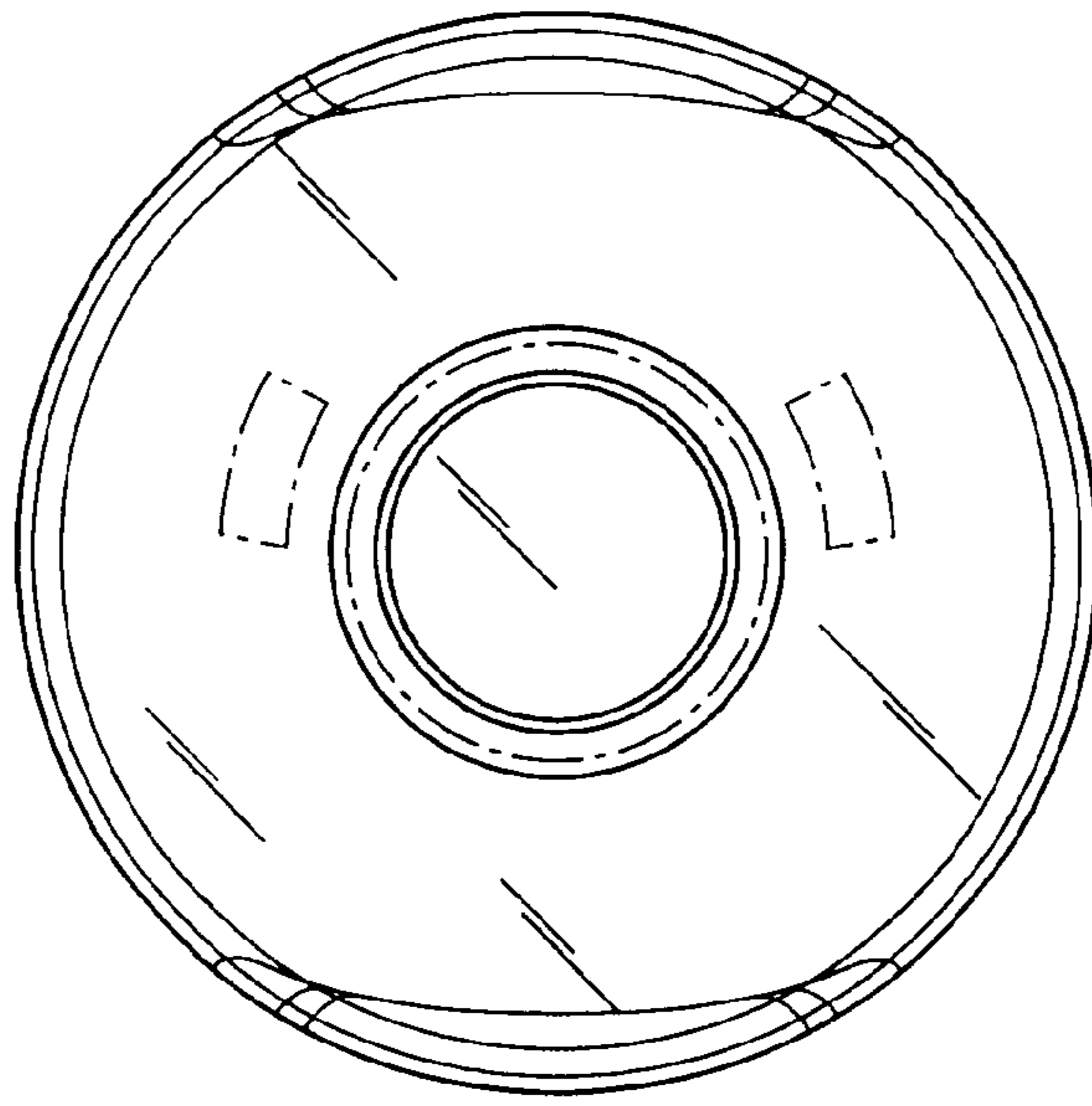


Fig. 4

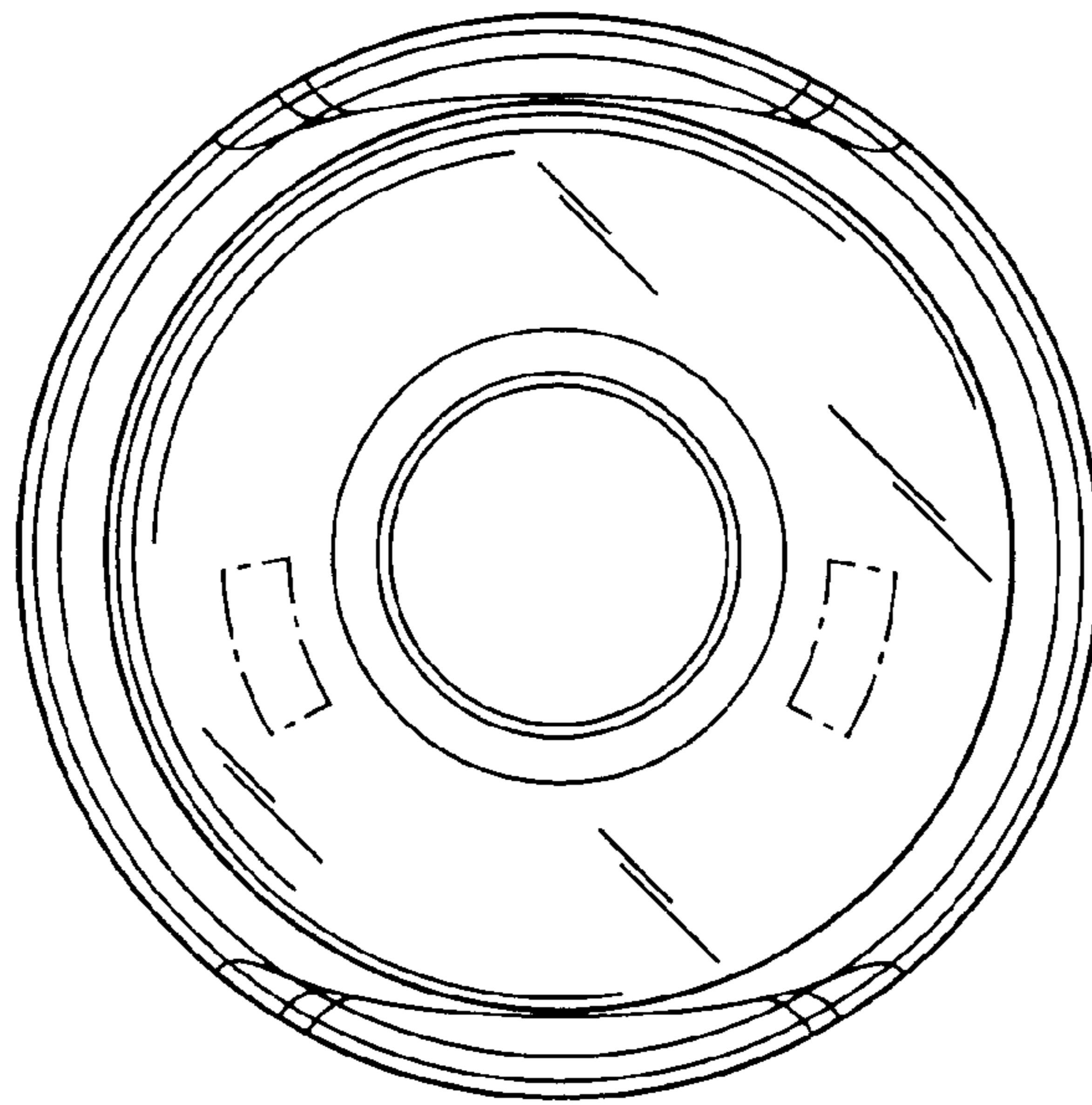


Fig. 5