



US00D464262S

(12) **United States Design Patent**
Drennow

(10) **Patent No.:** **US D464,262 S**

(45) **Date of Patent:** **** Oct. 15, 2002**

(54) **OPENING AND CLOSING DEVICE FOR CONTAINERS**

(75) Inventor: **Sten Drennow**, Lund (SE)

(73) Assignee: **Asept International AB**, Lund (SE)

(**) Term: **14 Years**

(21) Appl. No.: **29/150,565**

(22) Filed: **Nov. 14, 2001**

(51) **LOC (7) Cl.** **09-04**

(52) **U.S. Cl.** **D9/446; D9/447; D9/449**

(58) **Field of Search** D9/446, 447, 449,
D9/435; 222/541.9; 220/270, 256, 259,
260, 263, 375

(56) **References Cited**

U.S. PATENT DOCUMENTS

D193,121	S	*	6/1962	Wickman	D9/446
3,434,620	A	*	3/1969	Laurizio	220/258
4,603,793	A		8/1986	Stern		
D292,489	S	*	10/1987	Kowollik et al.	D9/447
4,776,488	A		10/1988	Gurzan		
D364,810	S	*	12/1995	Meisner	D9/446
5,725,121	A	*	3/1998	Gianpaolo	220/375

D404,646 S * 1/1999 Black, Sr. et al. D9/446

* cited by examiner

Primary Examiner—Dominic Simone

(74) *Attorney, Agent, or Firm*—Tarolli, Sundheim, Covell,
Tummino & Szabo L.L.P.

(57) **CLAIM**

The ornamental design for an opening and closing device for containers, as shown and described.

DESCRIPTION

FIG. 1 is a perspective view of the opening and closing device;

FIG. 2 is a side elevational view of the opening and closing device;

FIG. 3 is a side elevational view of the opposite side of the opening and closing device;

FIG. 4 is a rear elevational view of the opening and closing device;

FIG. 5 is a front elevational view of the opening and closing device;

FIG. 6 is a top plan view of the opening and closing device; and,

FIG. 7 is a bottom plan view of the opening and closing device.

1 Claim, 7 Drawing Sheets

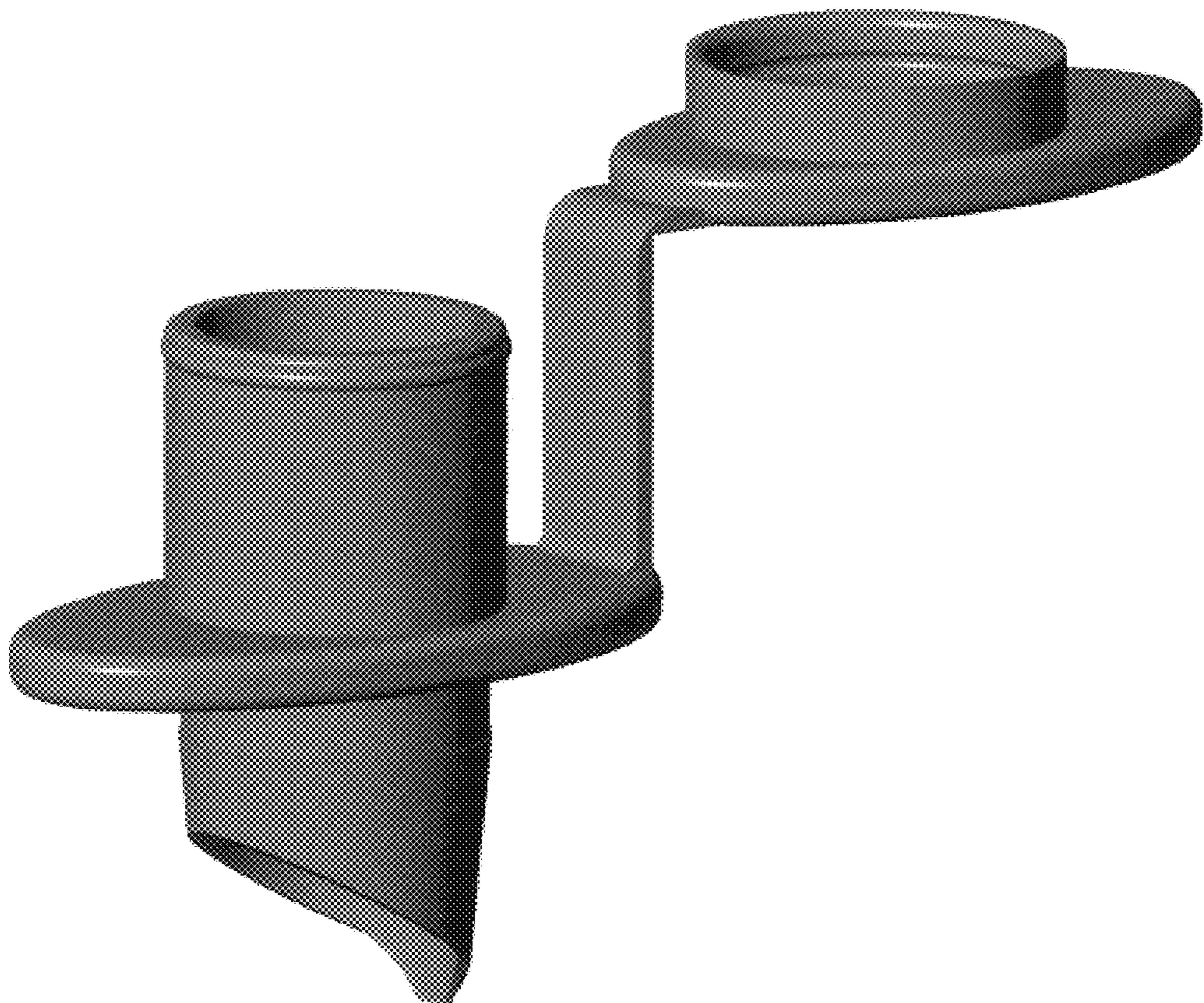


Fig. 1

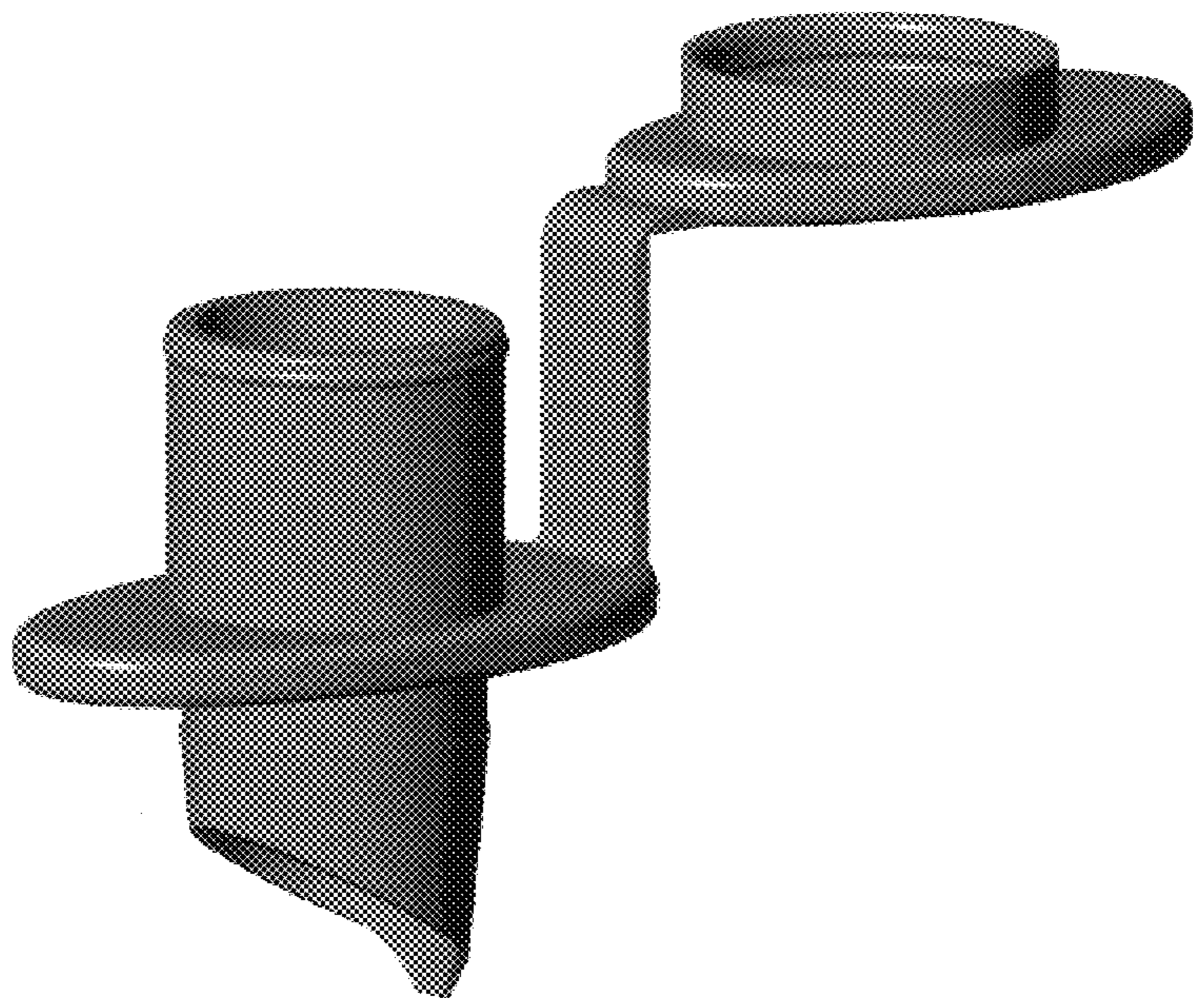


Fig. 2

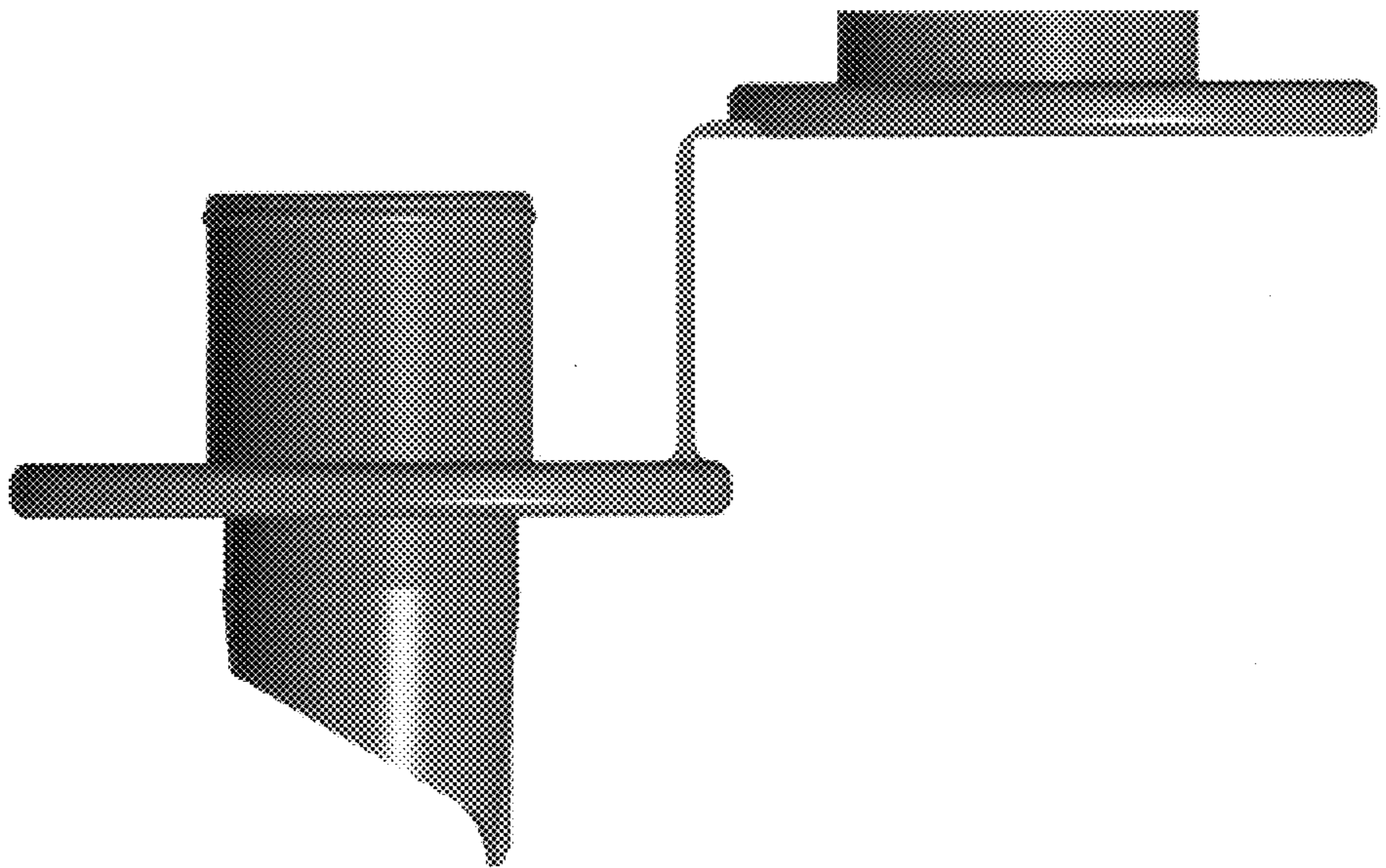


Fig. 3

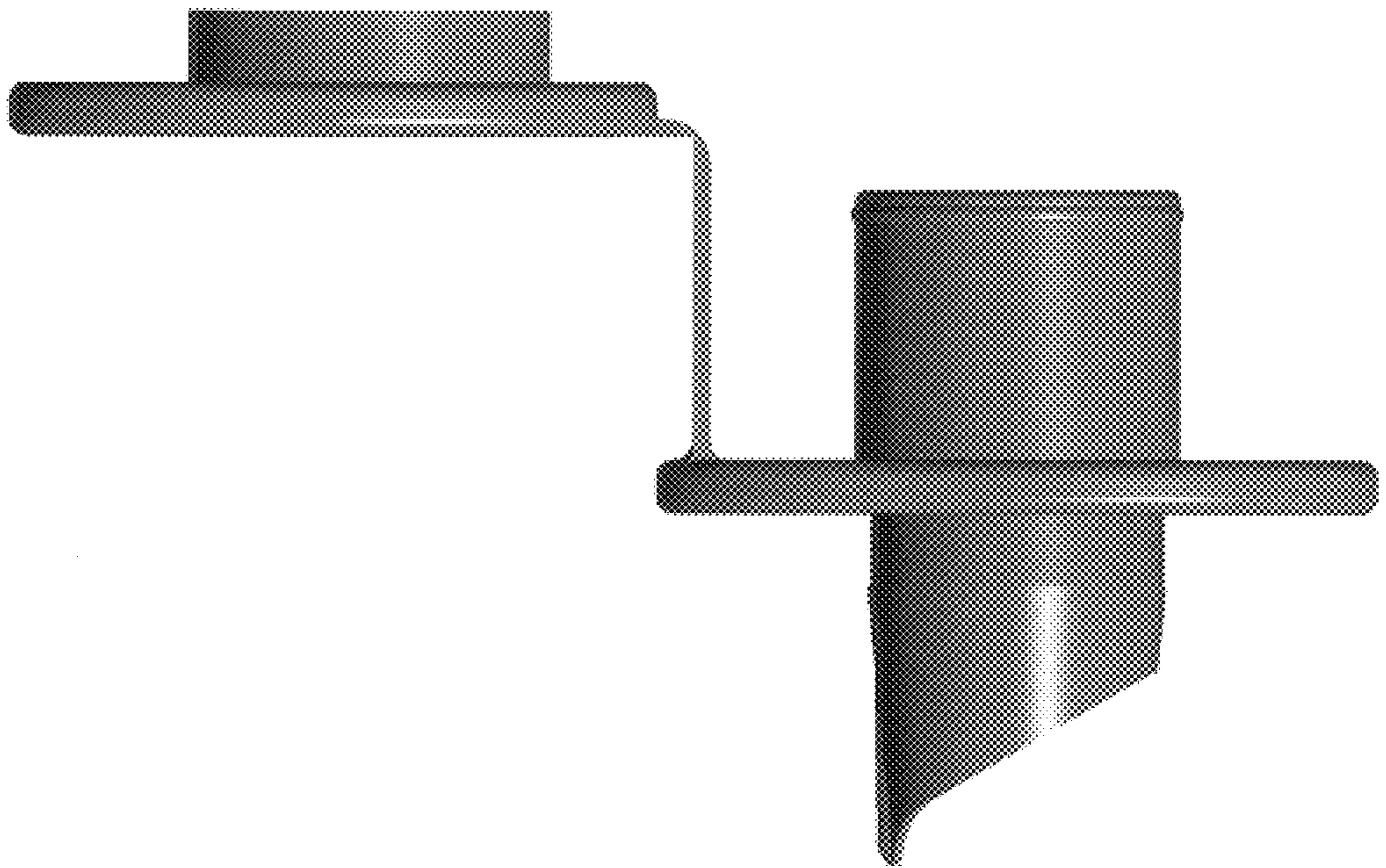


Fig. 4

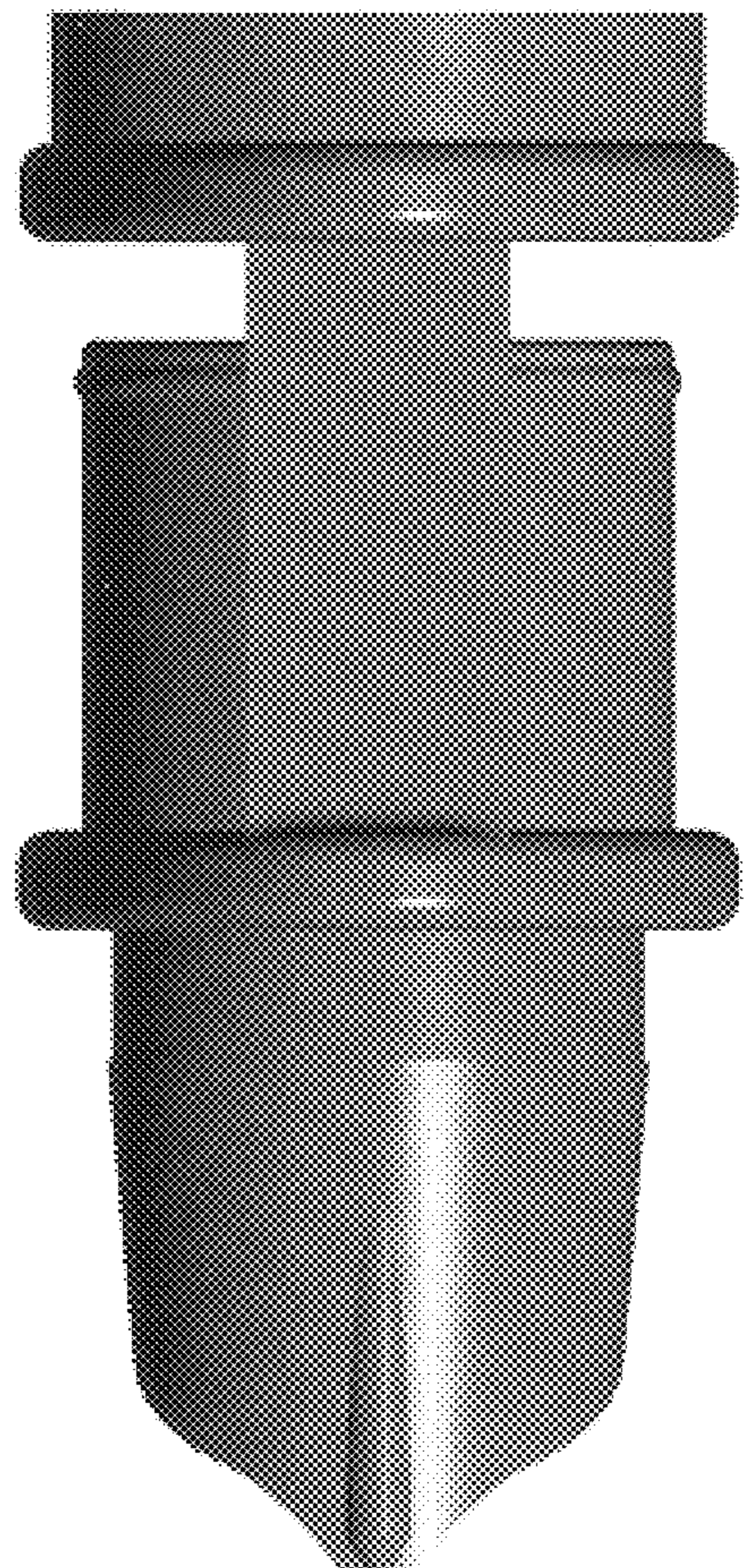


Fig. 5

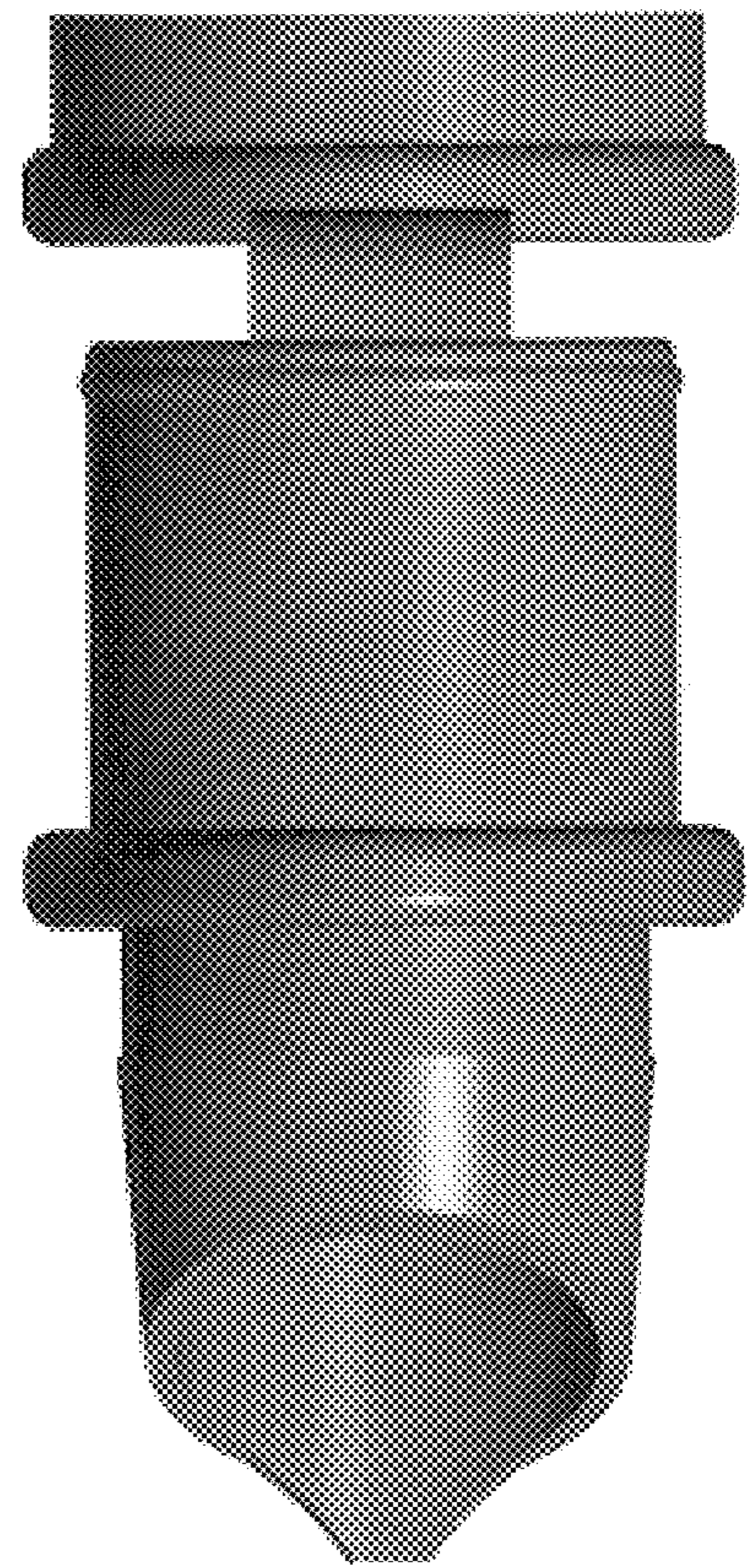


Fig. 6

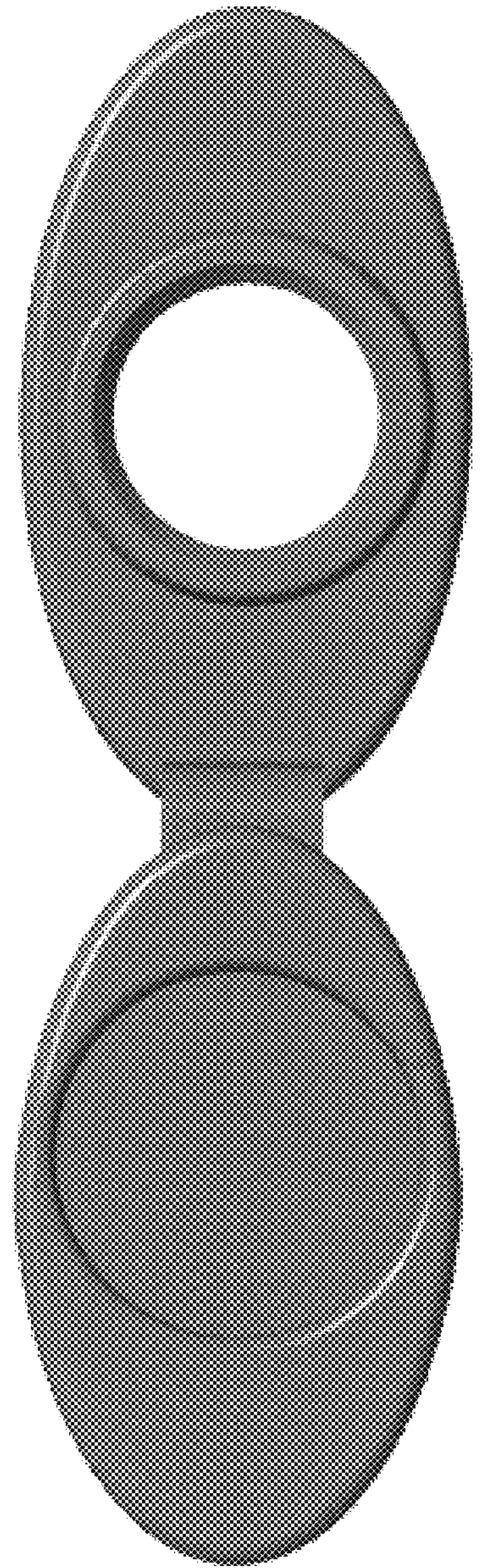


Fig. 7

