



US00D464260S

(12) **United States Design Patent**
Dijkstra

(10) **Patent No.:** **US D464,260 S**

(45) **Date of Patent:** **** Oct. 15, 2002**

(54) **PACKAGING**

(75) **Inventor:** **Tjeerd Dijkstra, Leiderdorp (NL)**

(73) **Assignee:** **Pollyflame International B.V.,
Roelofarendsveen (NL)**

(**) **Term:** **14 Years**

(21) **Appl. No.:** **29/125,676**

(22) **Filed:** **Jun. 28, 2000**

(30) **Foreign Application Priority Data**

Dec. 28, 1999 (XH) DM/050 262

(51) **LOC (7) Cl.** **09-03**

(52) **U.S. Cl.** **D9/422; D9/418**

(58) **Field of Search** D9/418, 415, 432,
D9/422-424, 337; 206/575, 569, 224, 423,
459.5, 301, 6.1, 562, 566, 516, 775-778,
823; 229/162

(56) **References Cited**

U.S. PATENT DOCUMENTS

D196,683 S * 10/1963 Thurman D9/424
3,365,056 A * 1/1968 Mandel 206/459.5

3,630,344 A * 12/1971 Bergh 220/345.2
4,011,947 A * 3/1977 Sawyer 206/1.6
D369,103 S * 4/1996 Plassier D9/418
D387,983 S * 12/1997 Lanoie D9/418
D439,158 S * 3/2001 Forakis D9/418
6,244,180 B1 * 6/2001 Winston 206/575

* cited by examiner

Primary Examiner—Prabhakar Deshmukh

(74) *Attorney, Agent, or Firm*—Altera Law Group, LLC

(57) **CLAIM**

The ornamental design for packaging, as shown and described.

DESCRIPTION

FIG. 1 is a perspective view of a packaging showing my new design;

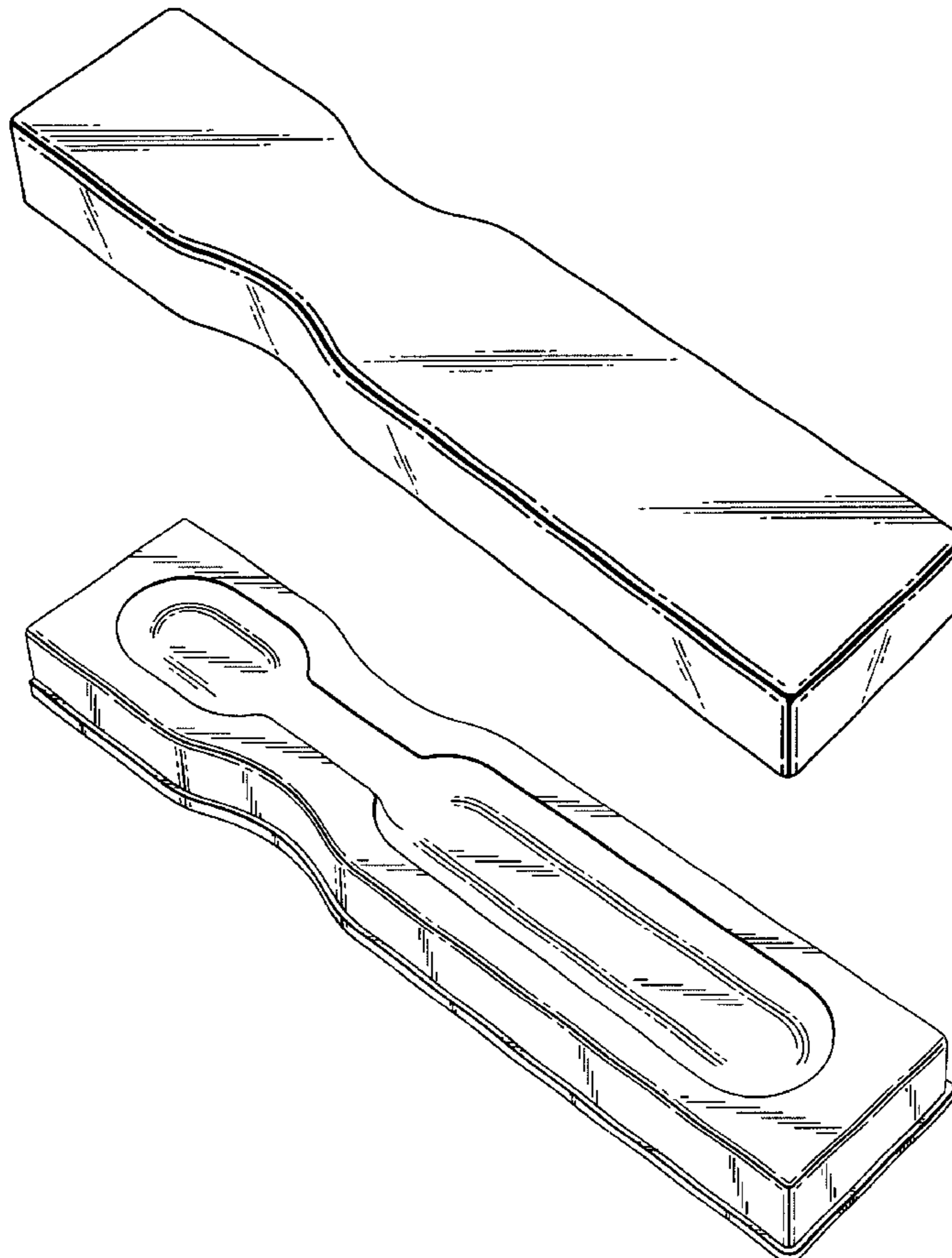
FIG. 2 is a perspective view thereof with the pen shown in broken lines;

FIG. 3 is an exploded perspective view thereof; and,

FIG. 4 is an exploded front elevational view thereof; the rear elevational view being a mirror image thereof.

The broken line showing of a pen is for illustrative purpose only and forms no part of the claimed design.

1 Claim, 4 Drawing Sheets



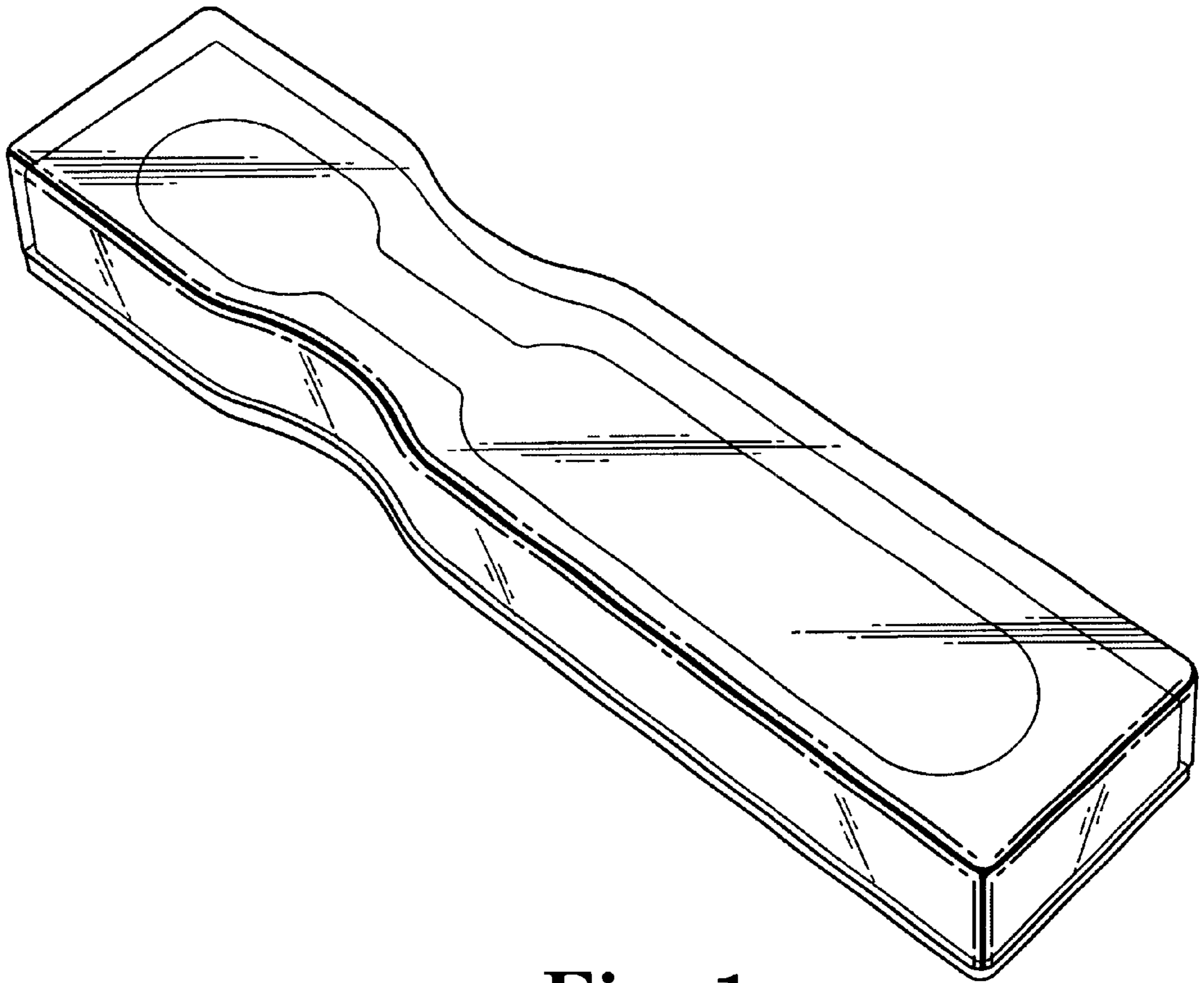


Fig. 1

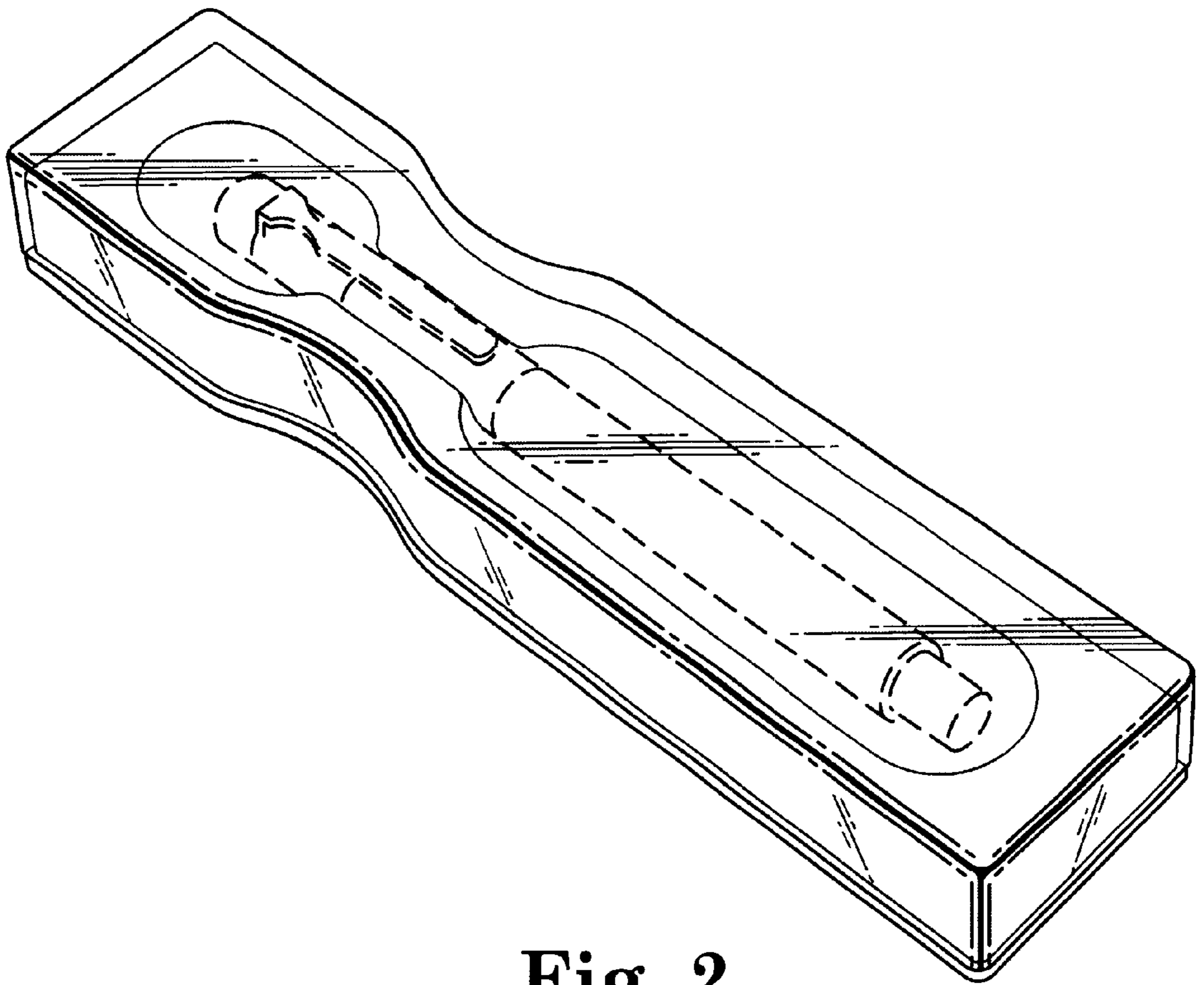


Fig. 2

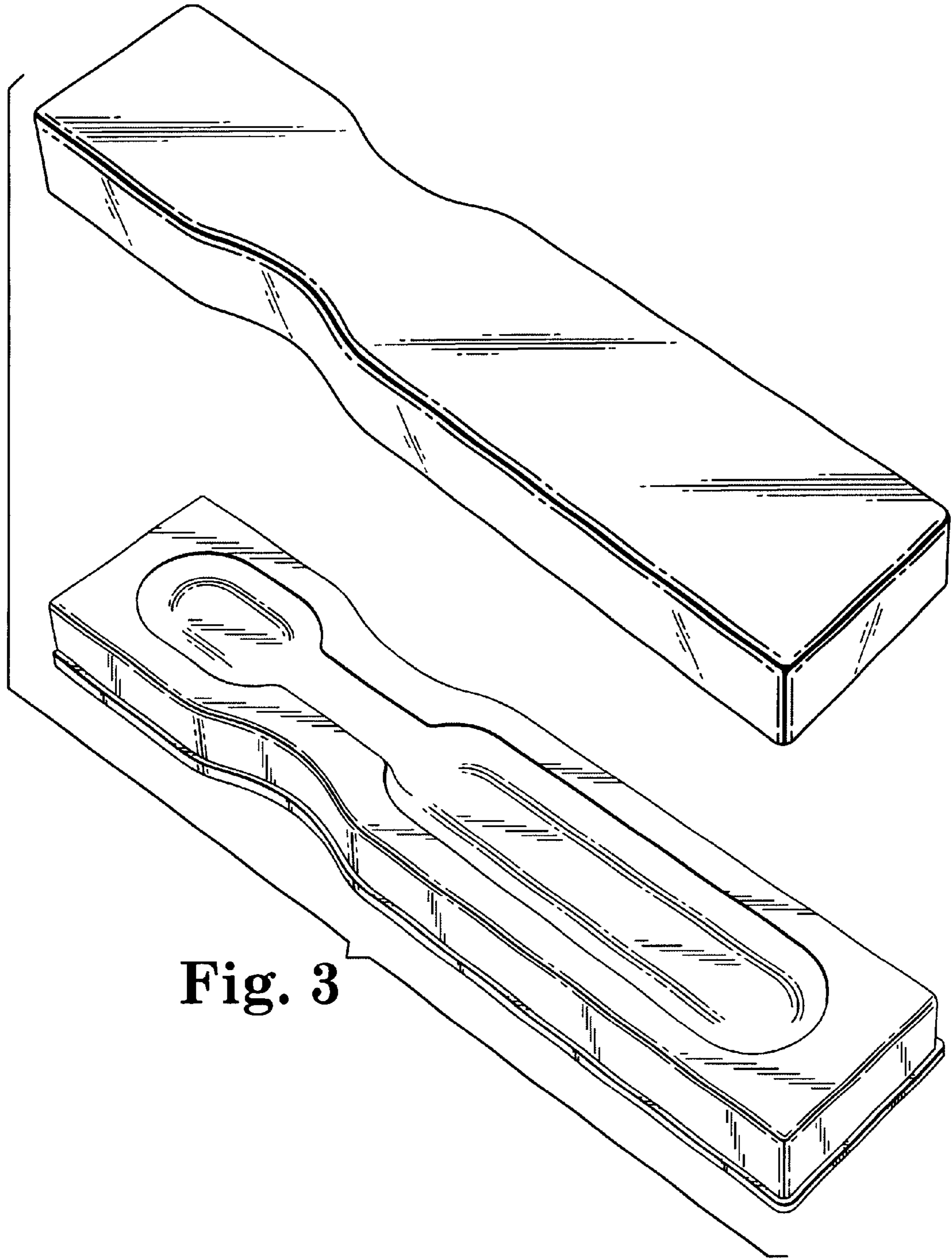


Fig. 3

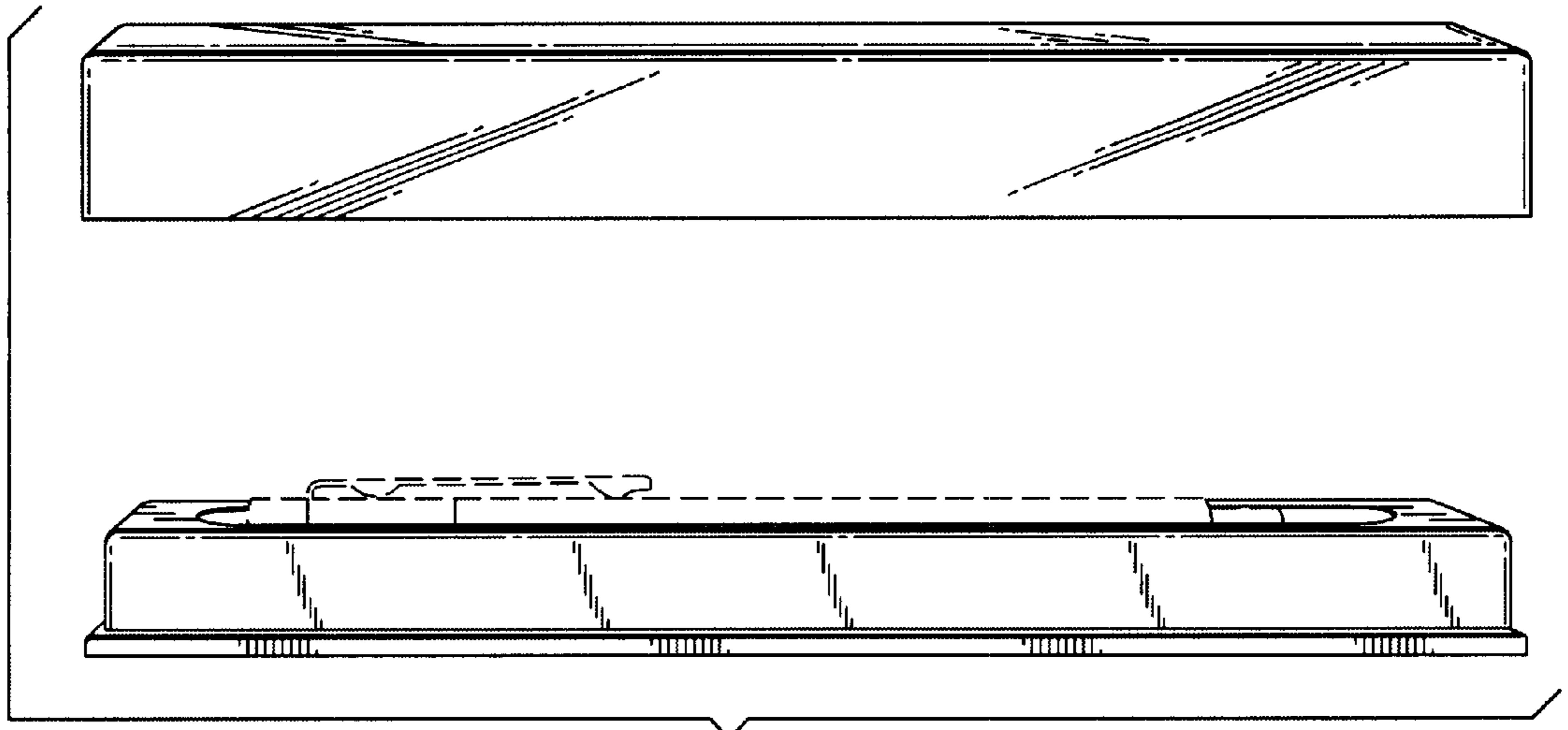


Fig. 4