



US00D464255S

(12) **United States Design Patent**
Hundley

(10) **Patent No.:** **US D464,255 S**

(45) **Date of Patent:** **** Oct. 15, 2002**

(54) **SPRAY BASE LOCK NUT ASSEMBLY**

(76) **Inventor:** **Patrick K. Hundley**, 11842 MacGill St., Garden Grove, CA (US) 92841

(**) **Term:** **14 Years**

(21) **Appl. No.:** **29/141,342**

(22) **Filed:** **May 3, 2001**

(51) **LOC (7) Cl.** **08-08**

(52) **U.S. Cl.** **D8/399; D8/387**

(58) **Field of Search** **D8/382, 387, 399; D23/262-265; 411/427, 366, 410; 137/223, 230**

(56) **References Cited**

U.S. PATENT DOCUMENTS

617,337 A	*	1/1899	Harrison	
2,272,634 A	*	2/1942	Bronson	
3,786,994 A	*	1/1974	Kukes et al.	239/569
5,257,642 A	*	11/1993	Worth	137/230
5,398,744 A	*	3/1995	Street et al.	152/429
5,741,103 A	*	4/1998	Lee	411/366

* cited by examiner

Primary Examiner—Alan P. Douglas

Assistant Examiner—Clare E. Heflin

(74) *Attorney, Agent, or Firm*—Stetina Brunda Garred & Brucker

(57) **CLAIM**

The ornamental design for a spray base lock nut assembly, as shown and described.

DESCRIPTION

FIG. 1 is a side elevational view of the spray base lock nut assembly of the present invention showing my new design with the phantom lines depicting solely environmental structure and forming no part of the claimed design;

FIG. 2 is a front perspective view thereof;

FIG. 3 is a side elevational view thereof;

FIG. 4 is a left end view thereof; and

FIG. 5 is a right end view thereof;

FIG. 6 is a side elevational view of a second embodiment of the spray base lock nut assembly of the present invention showing my new design;

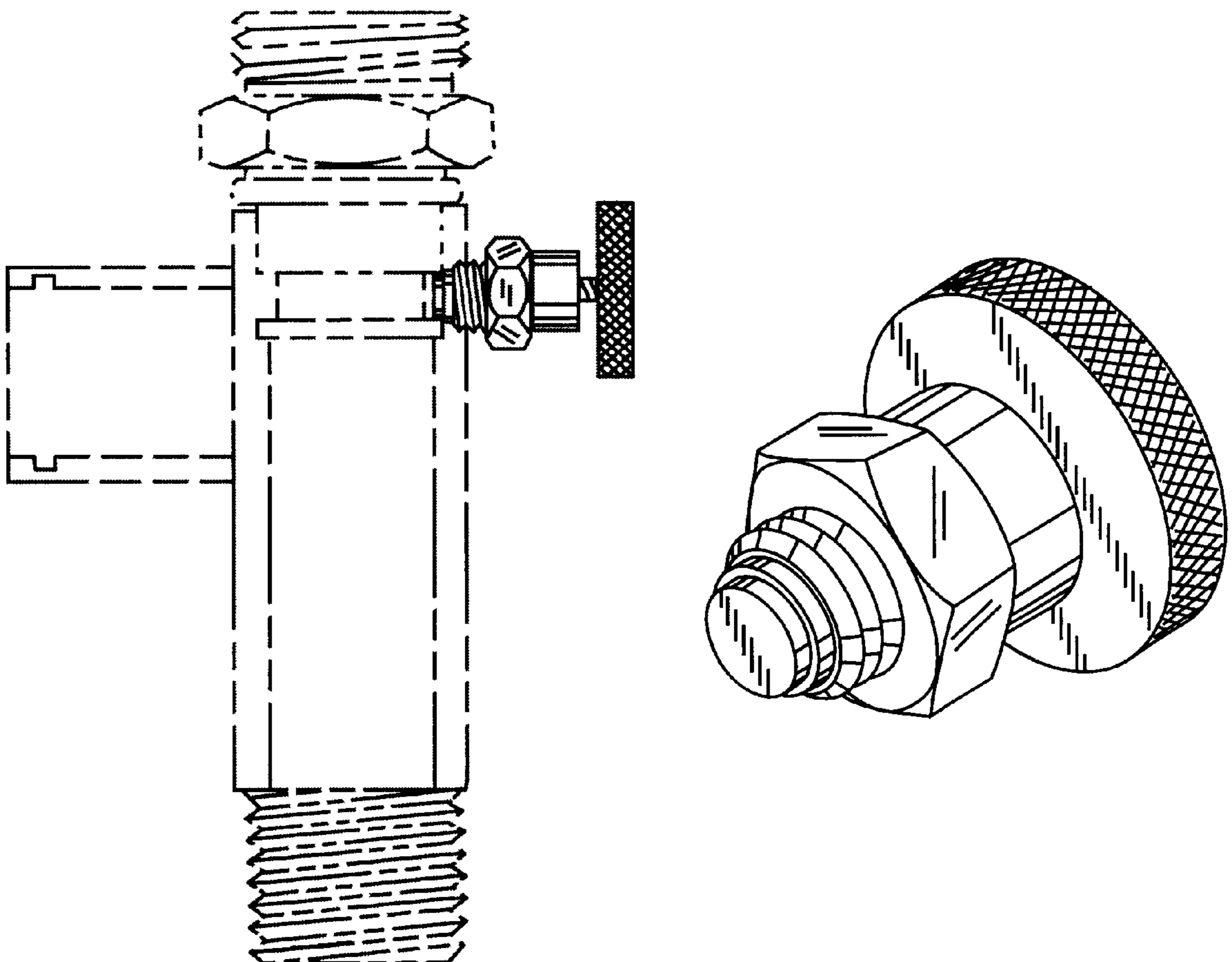
FIG. 7 is a front perspective view thereof;

FIG. 8 is a side elevational view thereof;

FIG. 9 is a left end view thereof; and,

FIG. 10 is a right end view thereof.

1 Claim, 2 Drawing Sheets



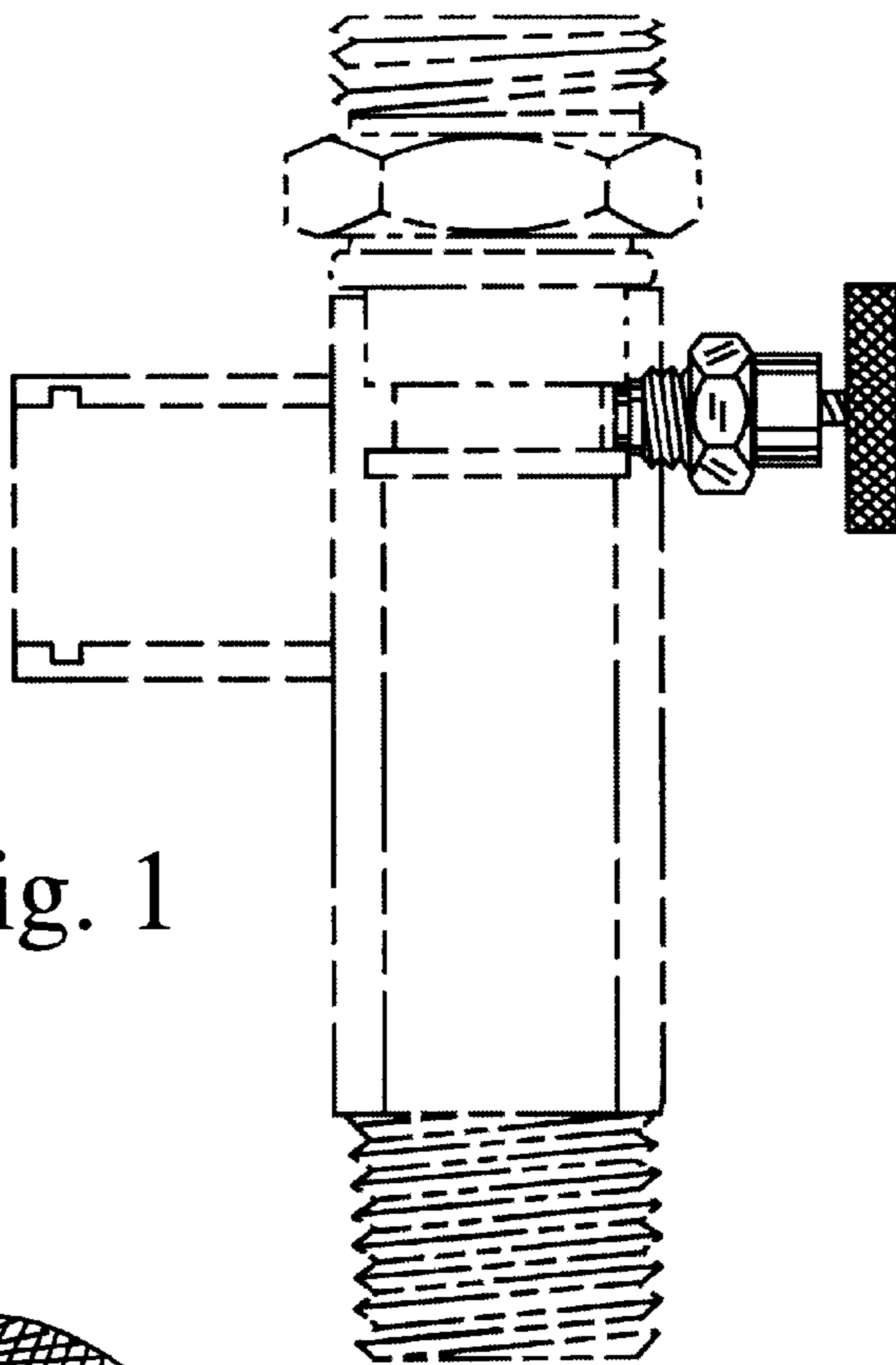


Fig. 1

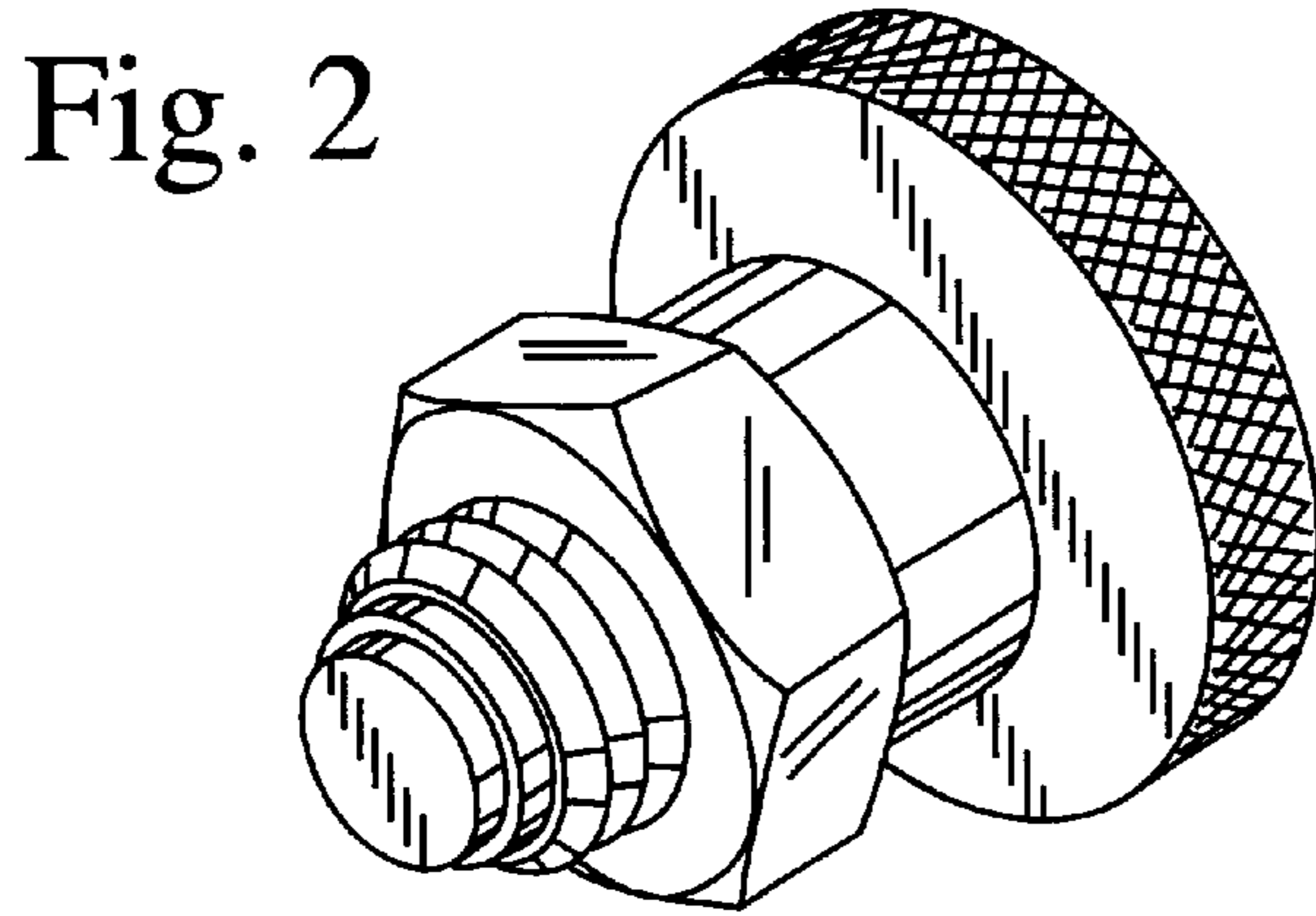


Fig. 2

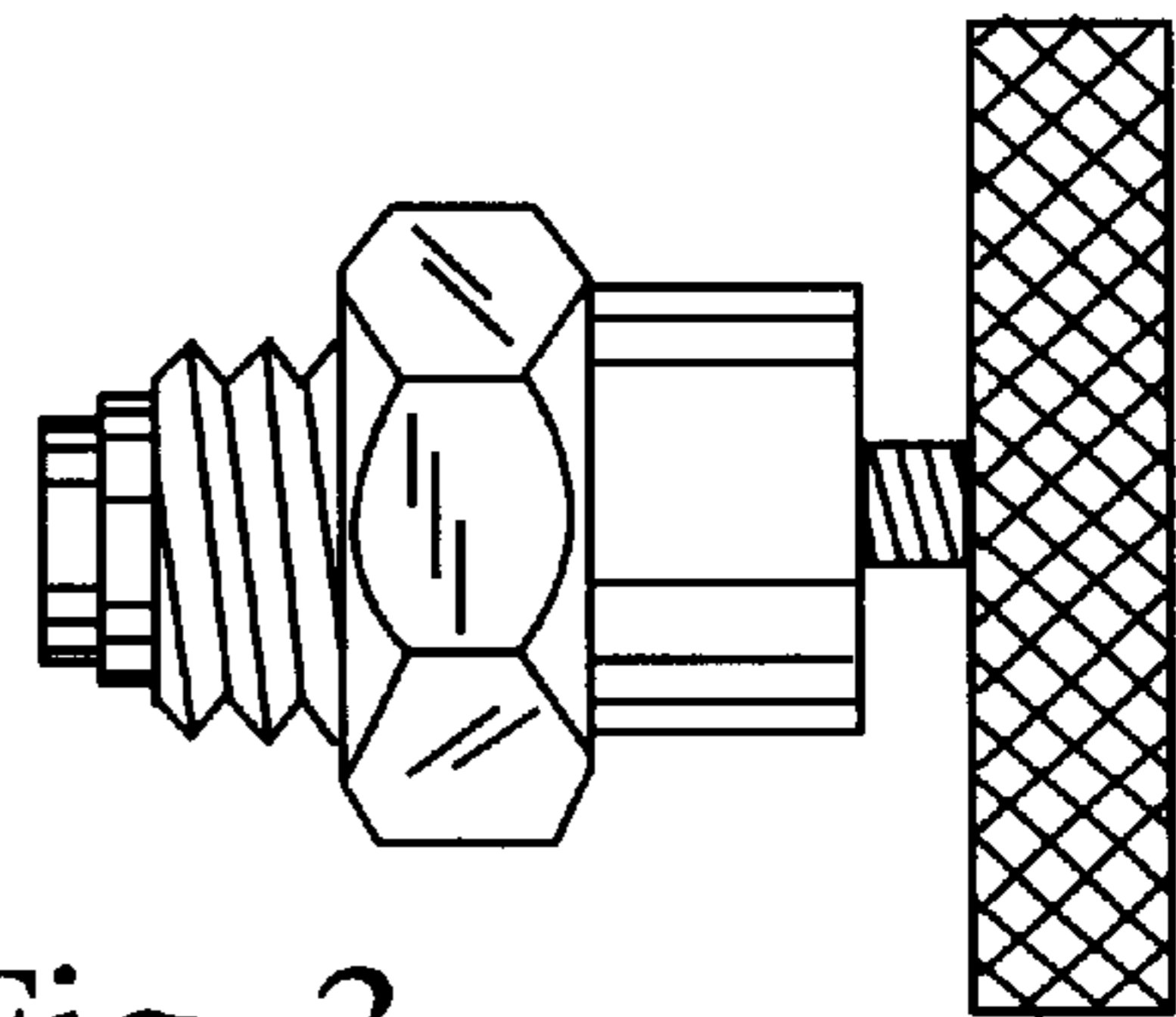


Fig. 3

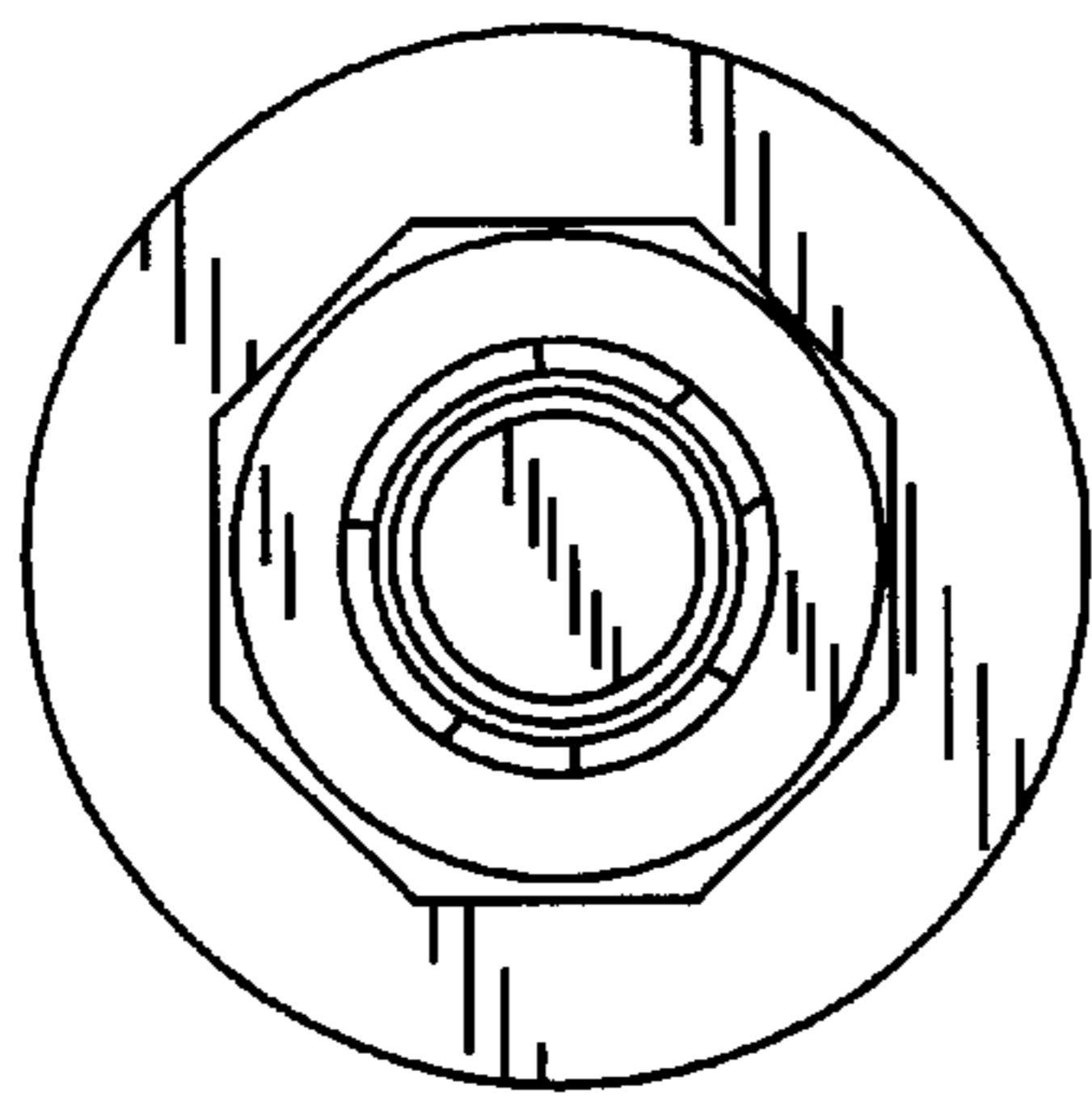


Fig. 4

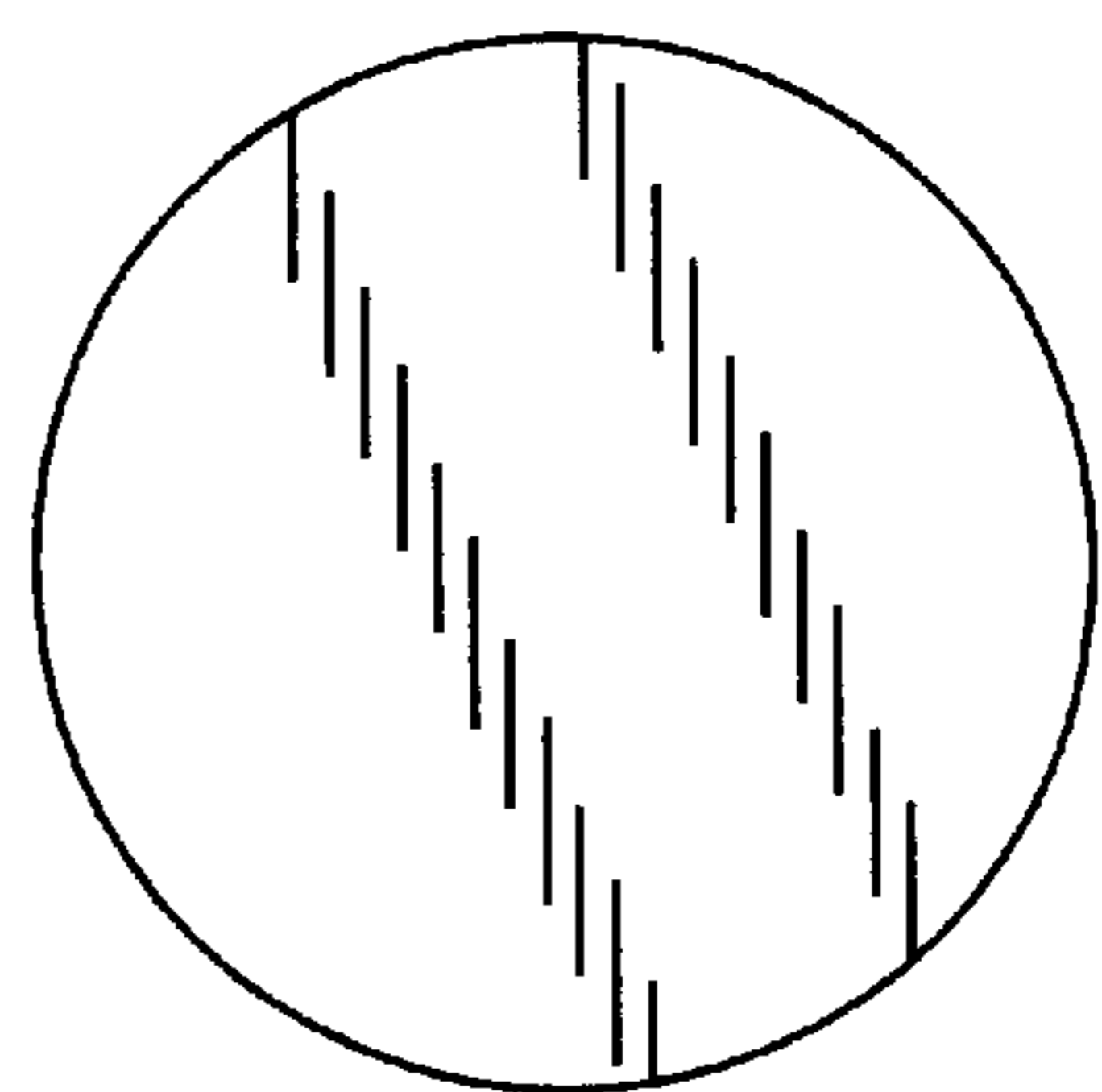


Fig. 5

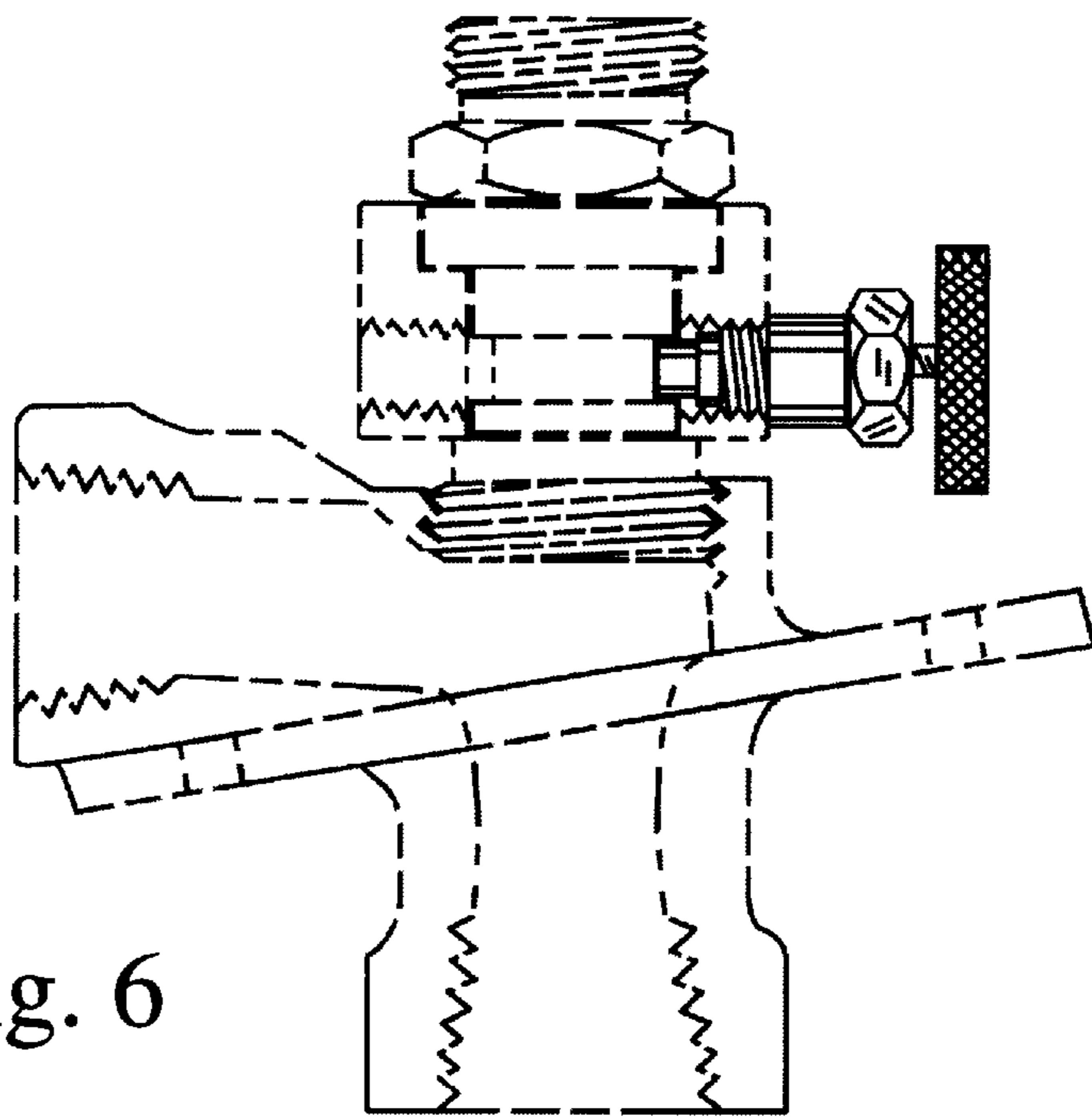


Fig. 6

Fig. 7

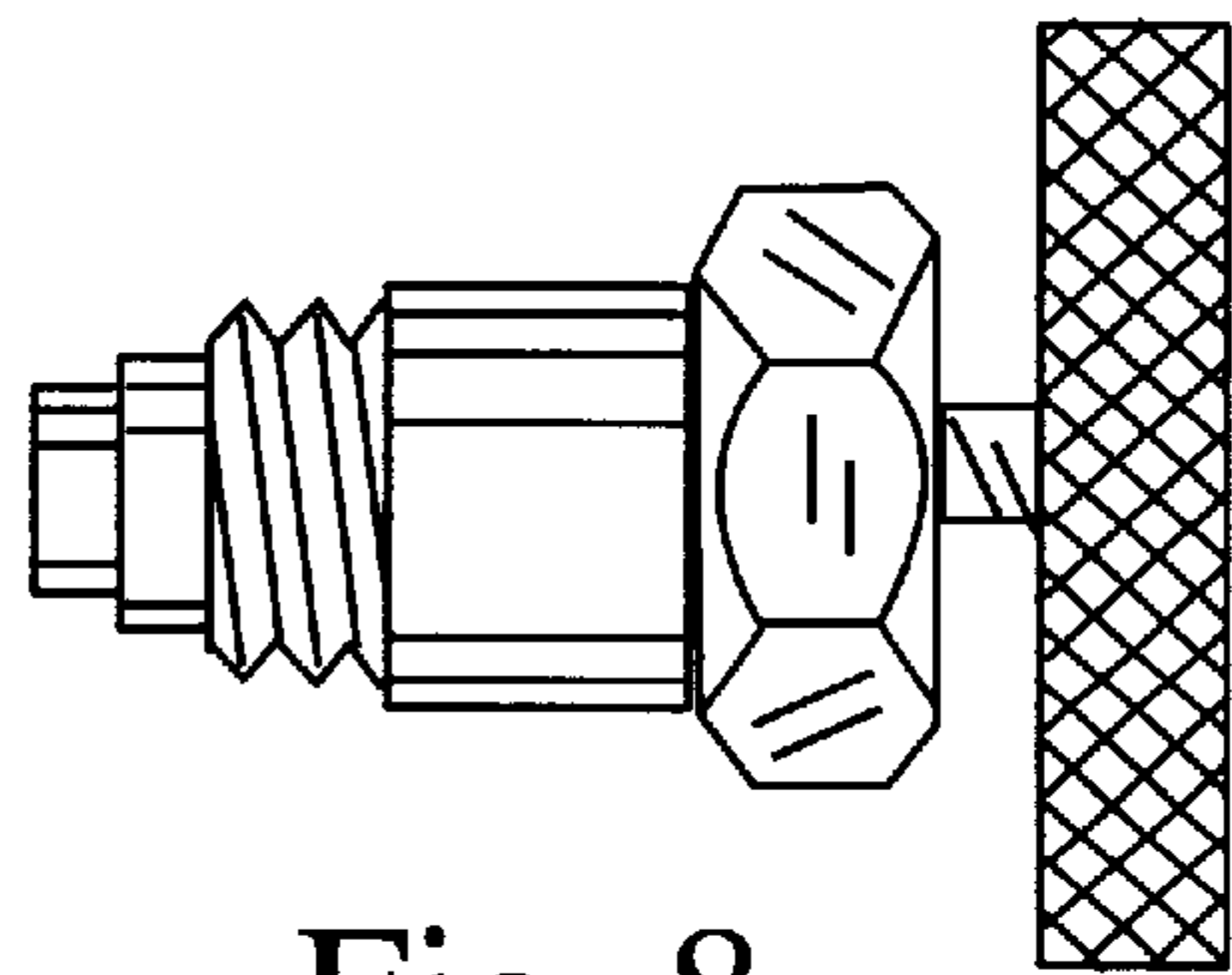
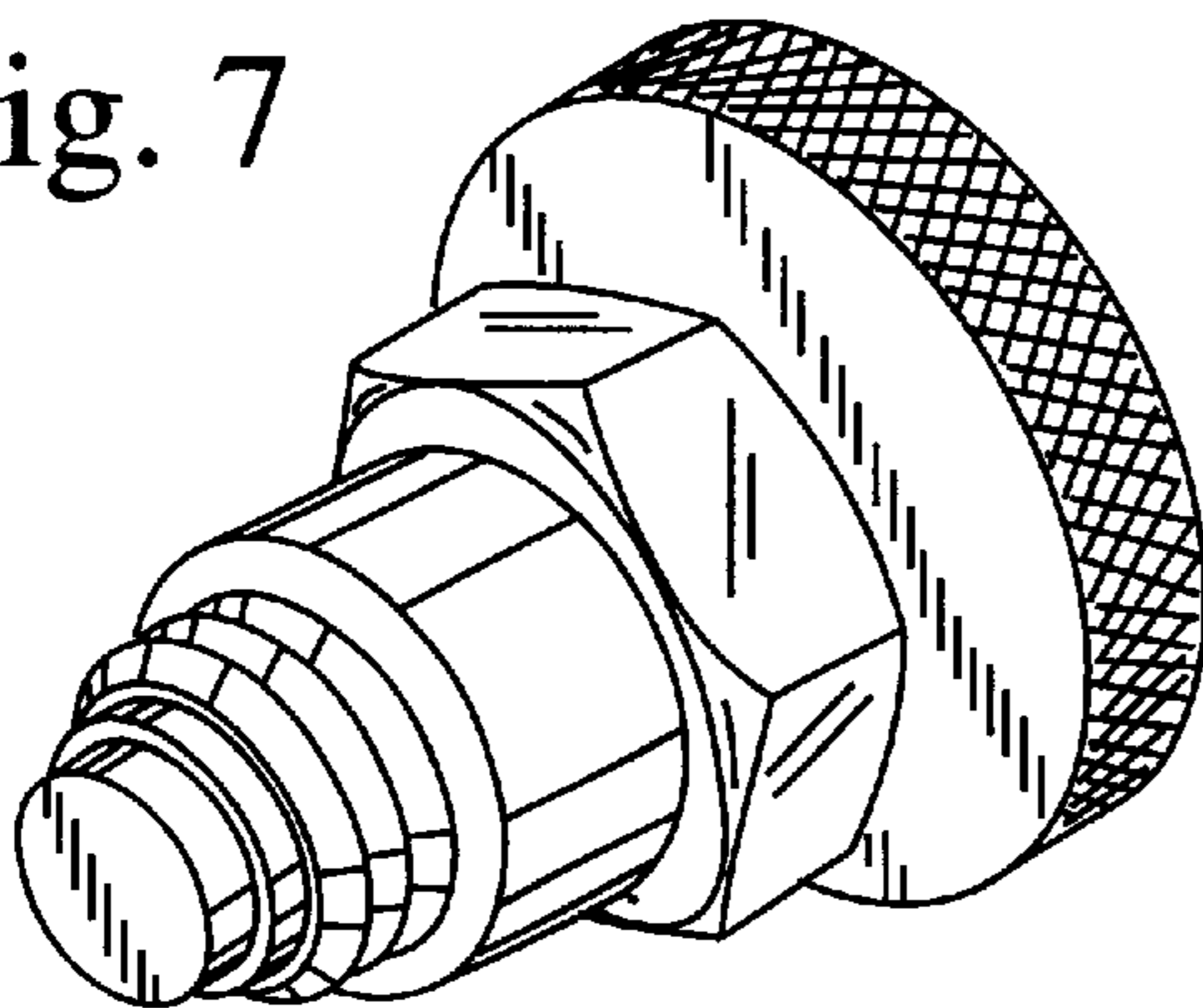


Fig. 8

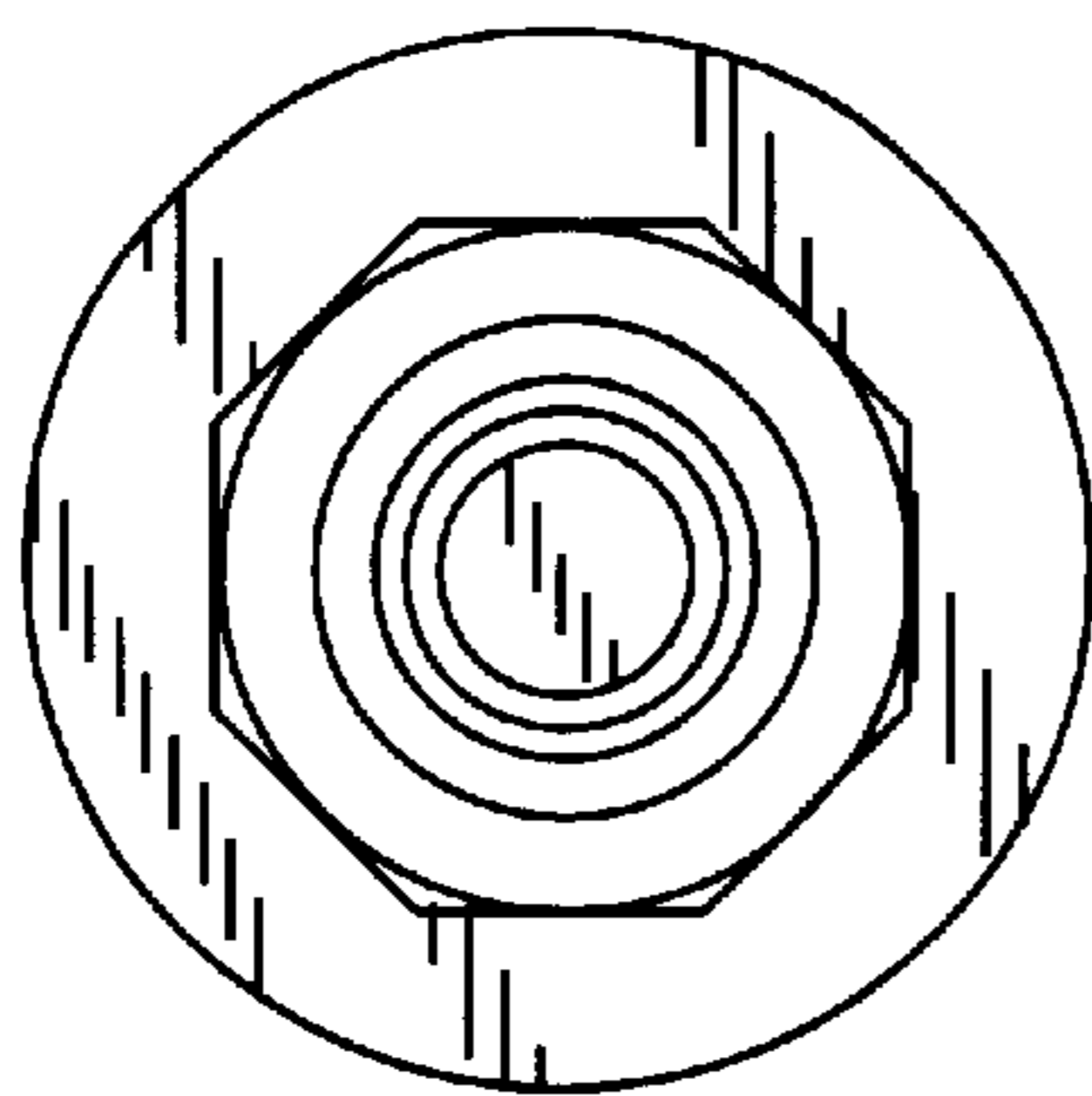


Fig. 9

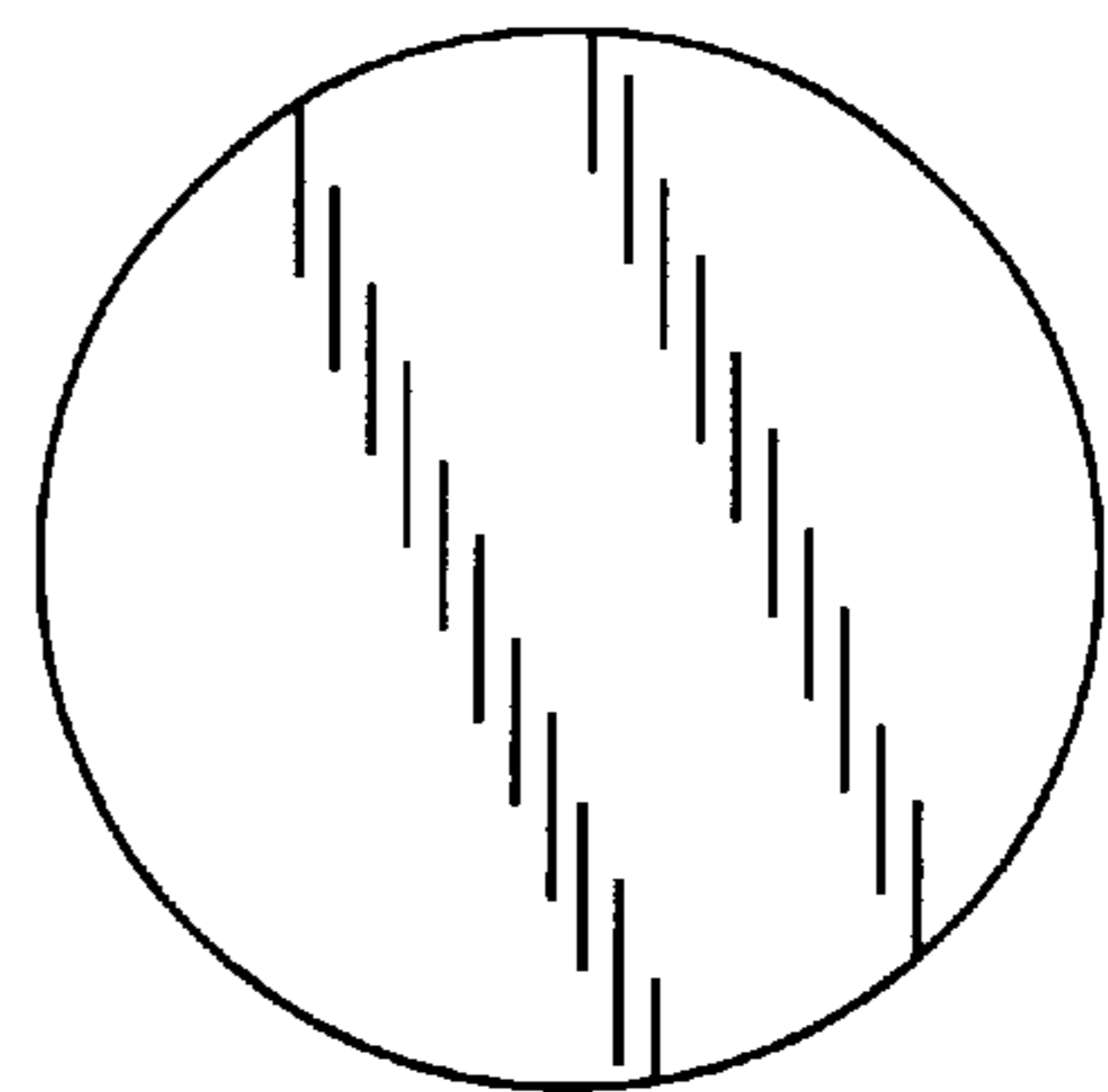


Fig. 10