



US00D464254S

(12) **United States Design Patent**
Monson

(10) **Patent No.:** **US D464,254 S**

(45) **Date of Patent:** **** Oct. 15, 2002**

(54) **BOLT**

5,868,535 A * 2/1999 Ladouceur 411/107
6,343,808 B1 * 2/2002 Luh 403/322.2

(76) Inventor: **Brant Monson**, 3875 N. Cove Dr.,
Provo, UT (US) 84604

* cited by examiner

(**) Term: **14 Years**

Primary Examiner—Alan P. Douglas

Assistant Examiner—Clare E. Heflin

(21) Appl. No.: **29/153,321**

(74) *Attorney, Agent, or Firm*—Morriss, Bateman,
O'Bryant & Compagni, P.C.

(22) Filed: **Oct. 19, 2001**

(57) **CLAIM**

(51) **LOC (7) Cl.** **08-08**

The ornamental design for a bolt, as shown and described.

(52) **U.S. Cl.** **D8/387**

DESCRIPTION

(58) **Field of Search** D8/382, 387, 385,
D8/386, 388, 391, 397; 411/107, 108, 403,
259.1, 377, 431, 427, 366, 368, 378, 387,
395, 398, 402, 412, 416, 371; 403/322.2;
470/11

FIG. 1 shows a top view of a bolt made in accordance with
the design of the present invention;

FIG. 2 shows a side view of the bolt of FIG. 1 made in
accordance with the present invention, each of the other side
views being the same but omitting the hole;

FIG. 3 shows a perspective view of the bolt of FIG. 1 made
in accordance with the design of the present invention; and,
FIG. 4 shows a bottom view of the bolt of FIG. 1.

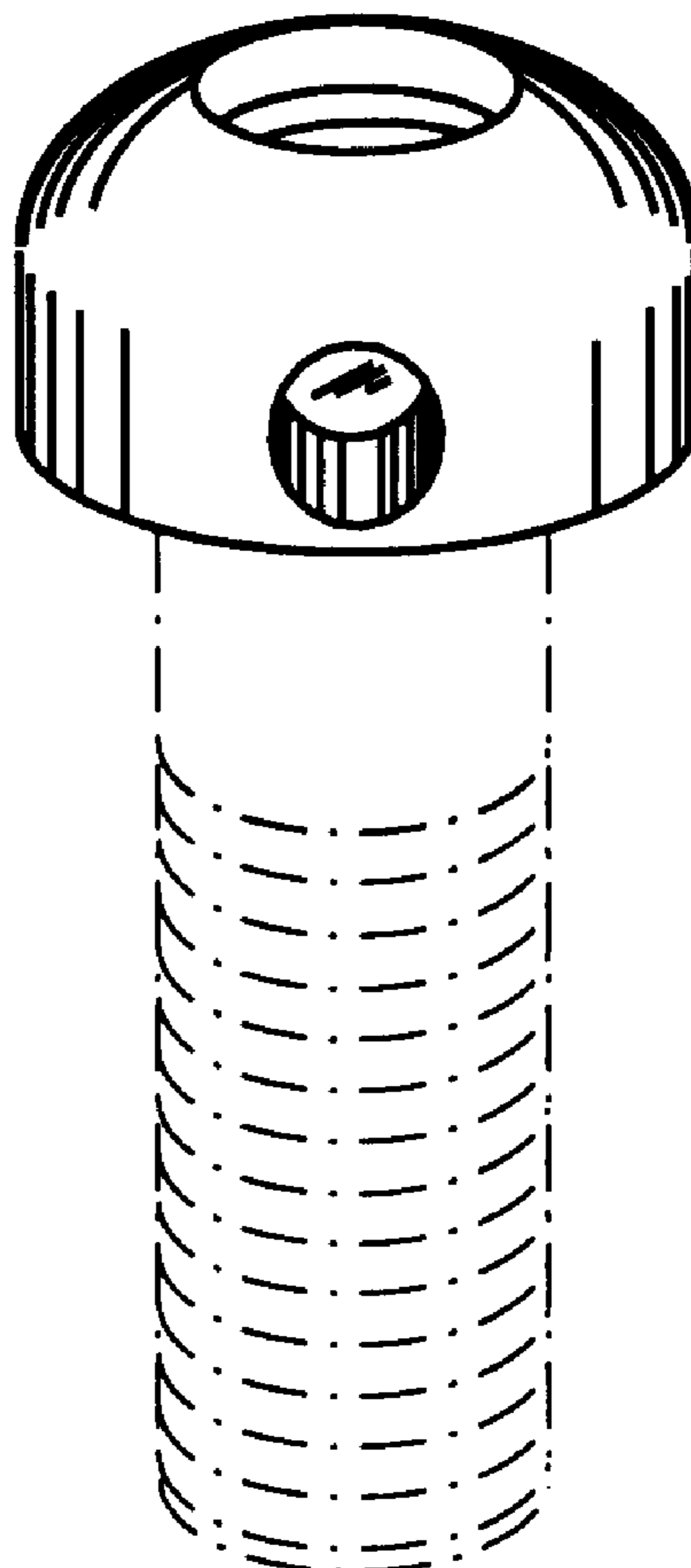
The broken lines shown on the drawings are for illustrative
purposes only and form no part of the claimed design.

(56) **References Cited**

U.S. PATENT DOCUMENTS

1,243,799	A	*	10/1917	Bissell	411/397
1,312,409	A	*	8/1919	Miller et al.	411/399
1,726,532	A	*	9/1929	Andel	29/277
4,484,849	A	*	11/1984	Klimowicz	411/200
5,044,855	A	*	9/1991	Fukubayashi	411/386

1 Claim, 1 Drawing Sheet



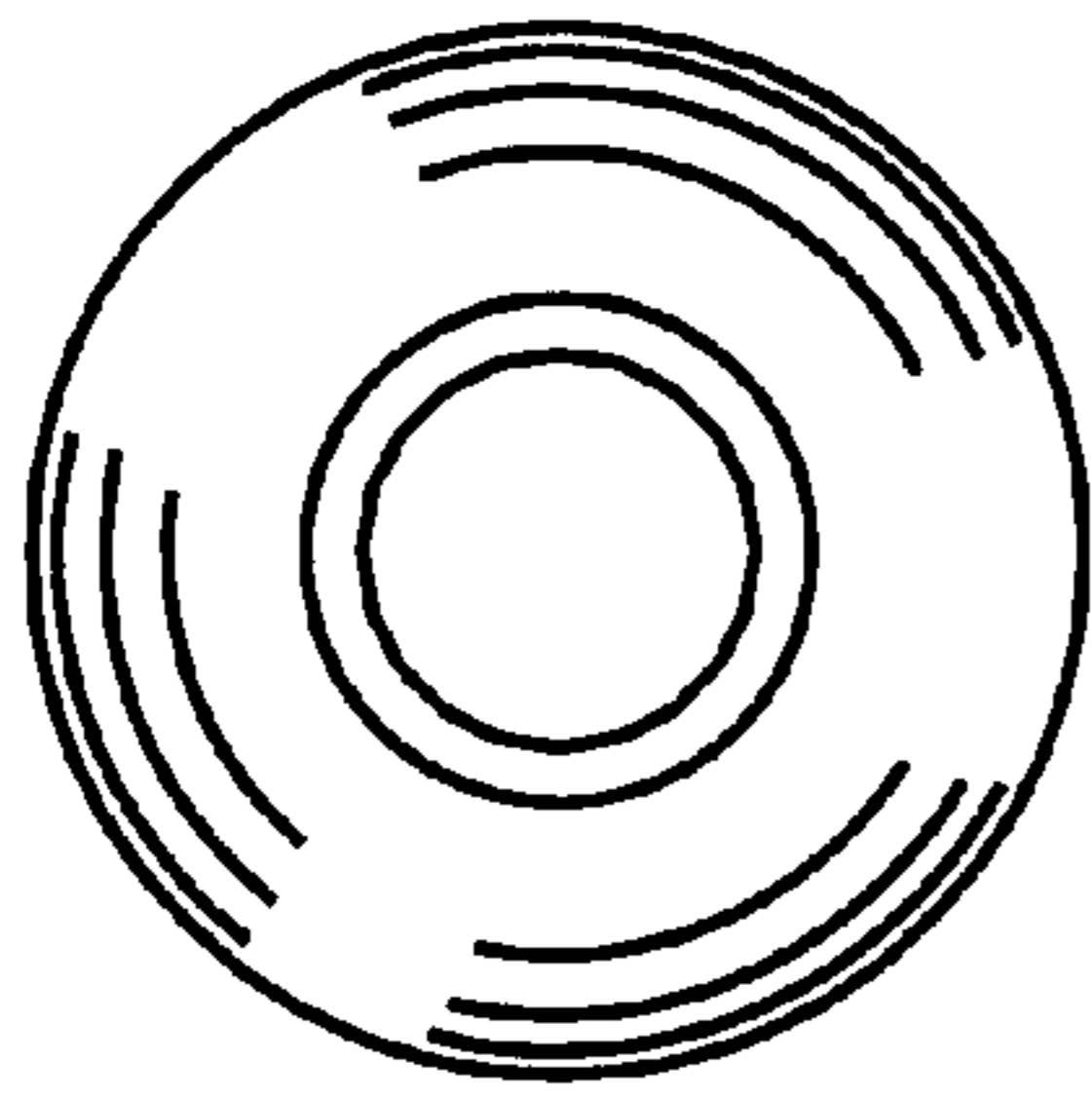


FIG. 1

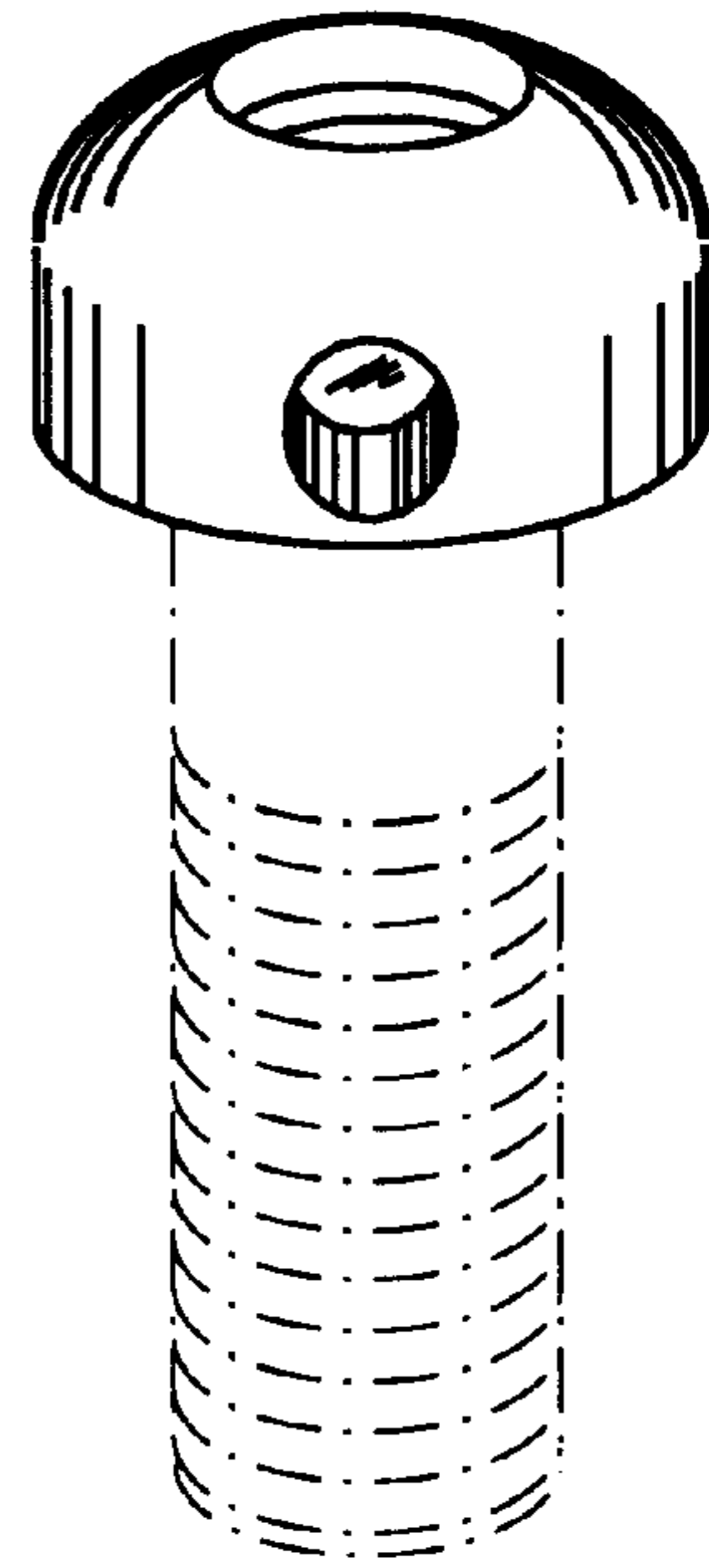


FIG. 3

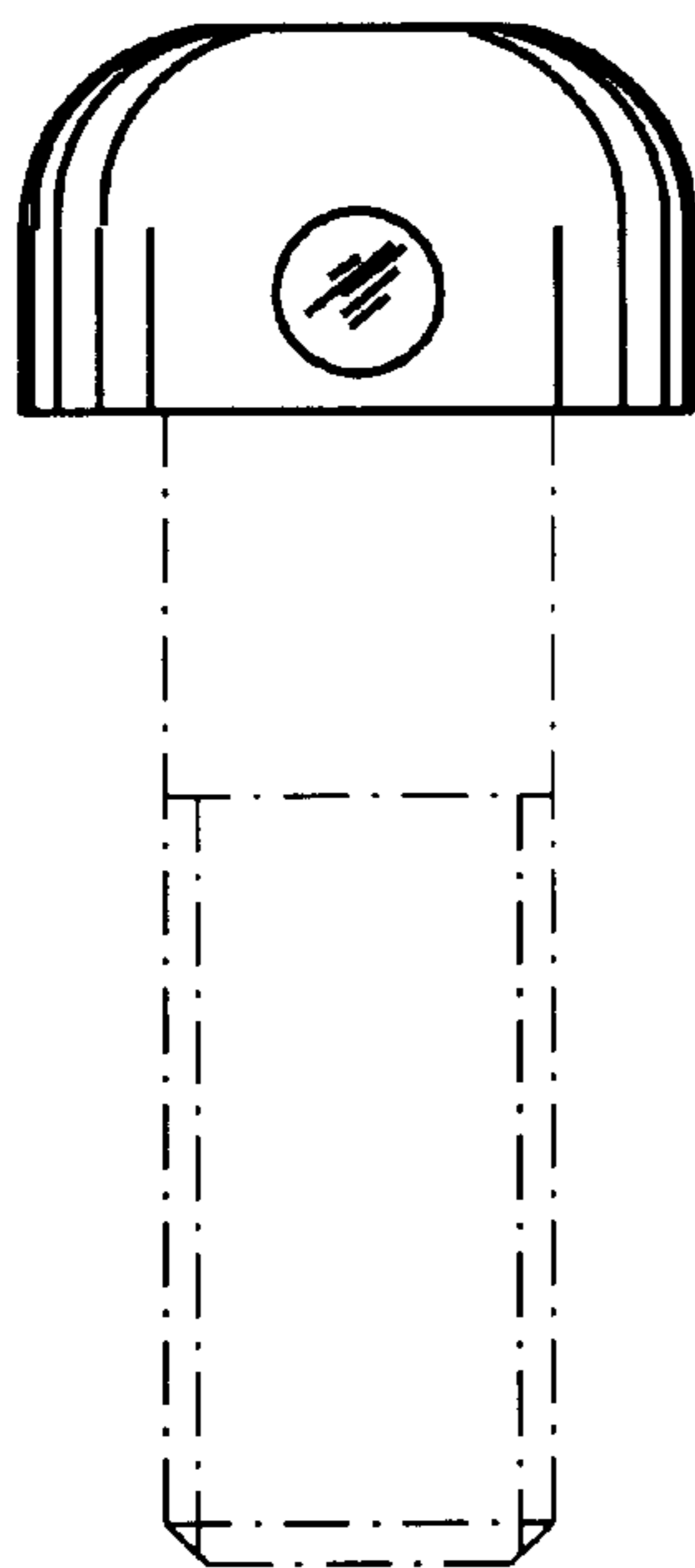


FIG. 2

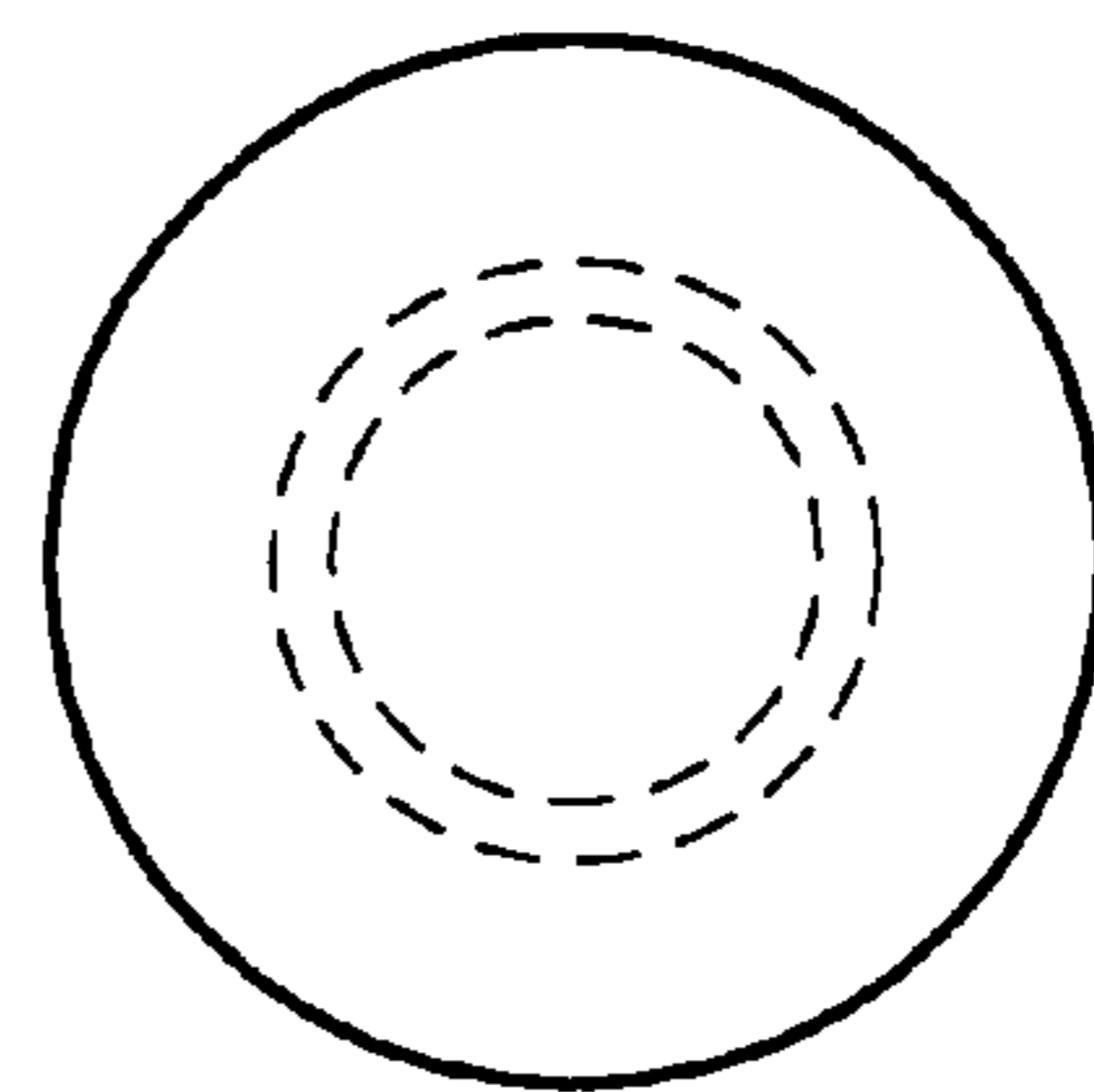


FIG. 4

UNITED STATES PATENT AND TRADEMARK OFFICE
CERTIFICATE OF CORRECTION

PATENT NO. : Des. 464,254 S
DATED : October 15, 2002
INVENTOR(S) : Monson

Page 1 of 1

It is certified that error appears in the above-identified patent and that said Letters Patent is hereby corrected as shown below:

Title page,
Item [56], the following reference is added:
-- 6,318,924 B1 Schiavo, Jr. --

Signed and Sealed this

Fourth Day of February, 2003

A handwritten signature in black ink, appearing to read "James E. Rogan", with a horizontal line drawn underneath it.

JAMES E. ROGAN
Director of the United States Patent and Trademark Office