



US00D464251S

(12) **United States Design Patent**
Wells

(10) **Patent No.:** **US D464,251 S**

(45) **Date of Patent:** **** Oct. 15, 2002**

(54) **WIRE ROPE GRIP**

GB 2266011 10/1993
GB 2273970 7/1994

(76) Inventor: **Richard John Wells**, 10 Paxton Court,
Gleadless, Sheffield, S14 1RH (GB)

* cited by examiner

(**) Term: **14 Years**

Primary Examiner—Doris V. Coles

Assistant Examiner—Elizabeth A. Albert

(21) Appl. No.: **29/153,763**

(74) *Attorney, Agent, or Firm*—Trexler, Bushnell,
Giangiorgi, Blackstone & Marr, Ltd.

(22) Filed: **Jan. 10, 2002**

(57) **CLAIM**

(30) **Foreign Application Priority Data**

I claim the ornamental design for a wire rope grip, as shown
and described.

Jul. 19, 2001 (GB) 2103299

(51) **LOC (7) Cl.** **08-05**

(52) **U.S. Cl.** **D8/356**

(58) **Field of Search** D6/512; D8/72,
D8/349, 354, 355, 356, 363, 364, 373,
380, 382, 394, 395, 396; 24/115 H, 115 K,
115 R, 129 A, 129 D, 129 R, 130; 114/218

DESCRIPTION

FIG. 1 is a perspective view of a top of the wire rope grip
and from a front end according to my design;

FIG. 2 is a perspective view of a bottom of the wire rope grip
and from the front end according to my design;

FIG. 3 is top plan view of the wire rope grip according to my
design;

FIG. 4 is a left side elevational view of the wire rope grip
according to my design;

FIG. 5 is a bottom plan view of the wire rope grip according
to my design;

FIG. 6 is a right side elevational view of the wire rope grip
according to my design;

FIG. 7 is a front elevational view of the wire rope grip
according to my design; and,

FIG. 8 is a rear elevational view of the wire rope grip
according to my design.

(56) **References Cited**

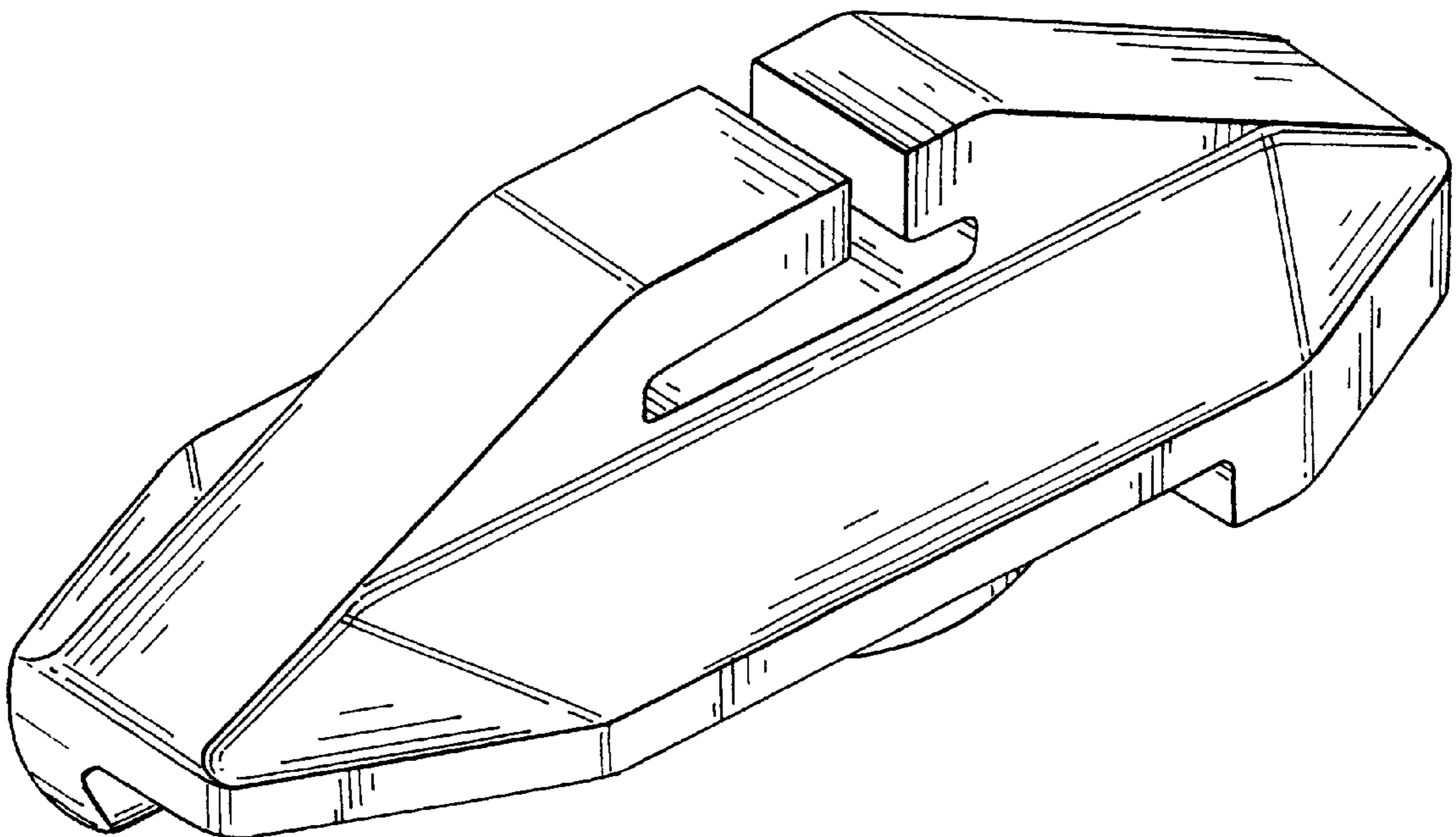
U.S. PATENT DOCUMENTS

D153,039 S * 3/1949 Sanford D8/354
D209,329 S * 11/1967 Coderre D8/382
D209,330 S * 11/1967 Coderre D8/382
D299,311 S * 1/1989 Whitley, II D8/356
5,519,921 A * 5/1996 Templer, Jr. 24/130

FOREIGN PATENT DOCUMENTS

GB 659584 10/1951
GB 1461212 1/1977

1 Claim, 3 Drawing Sheets



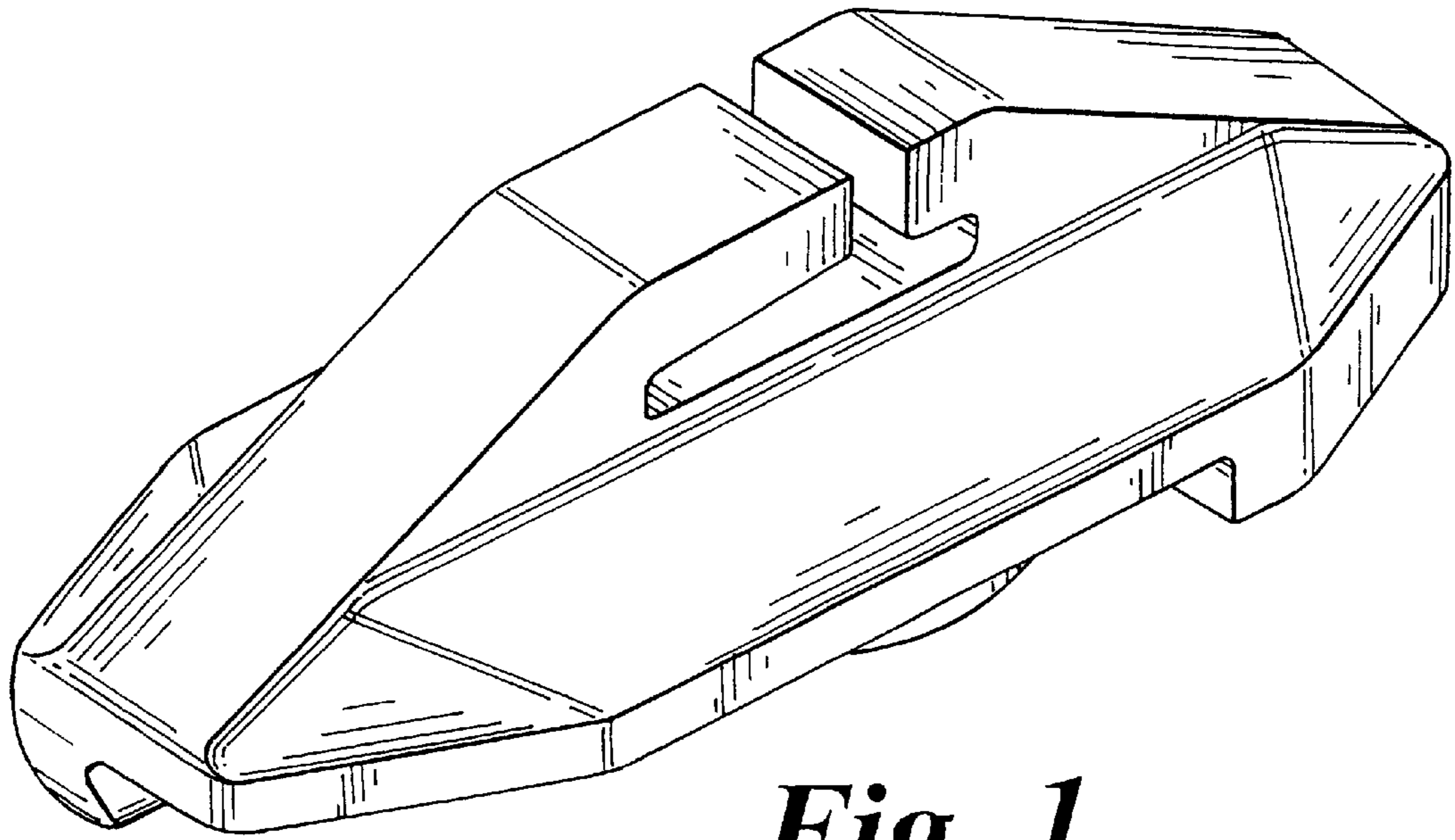


Fig. 1

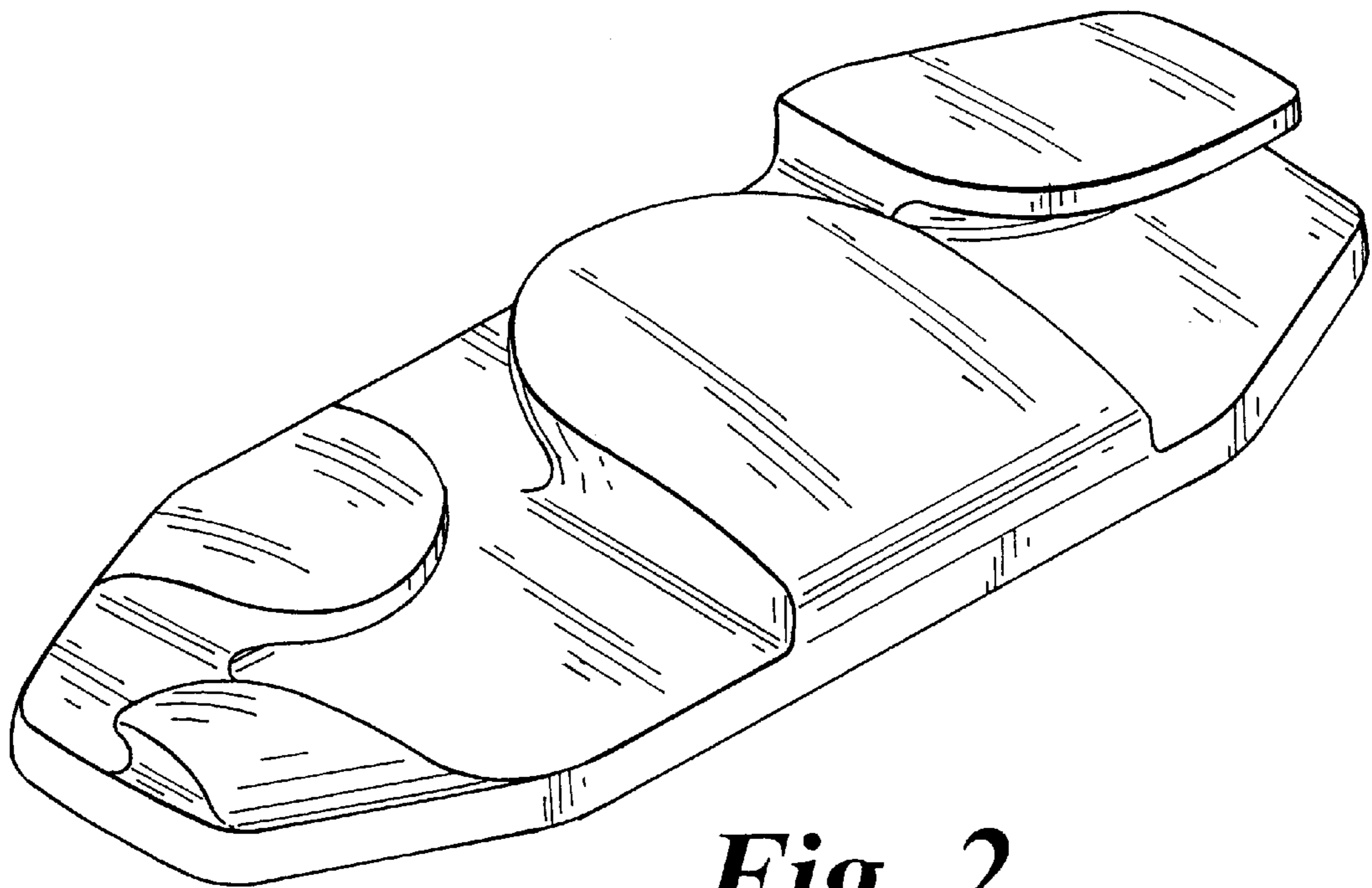


Fig. 2

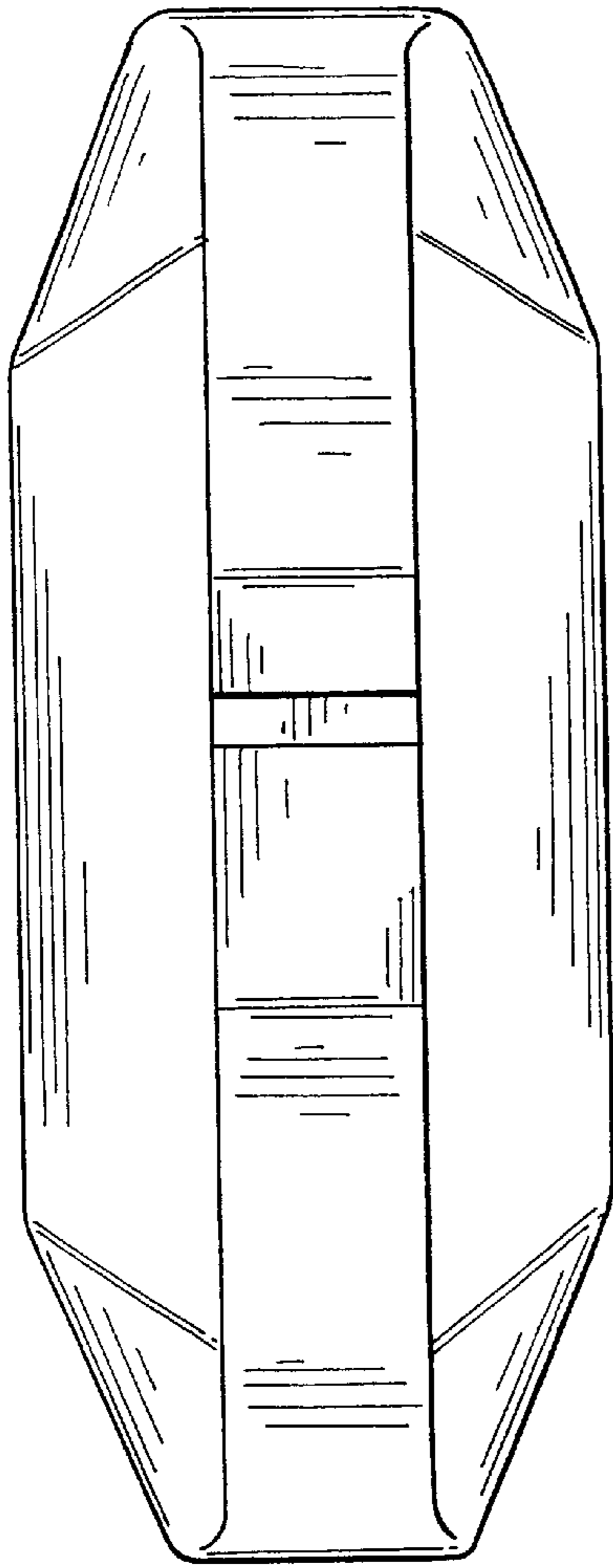


Fig. 3

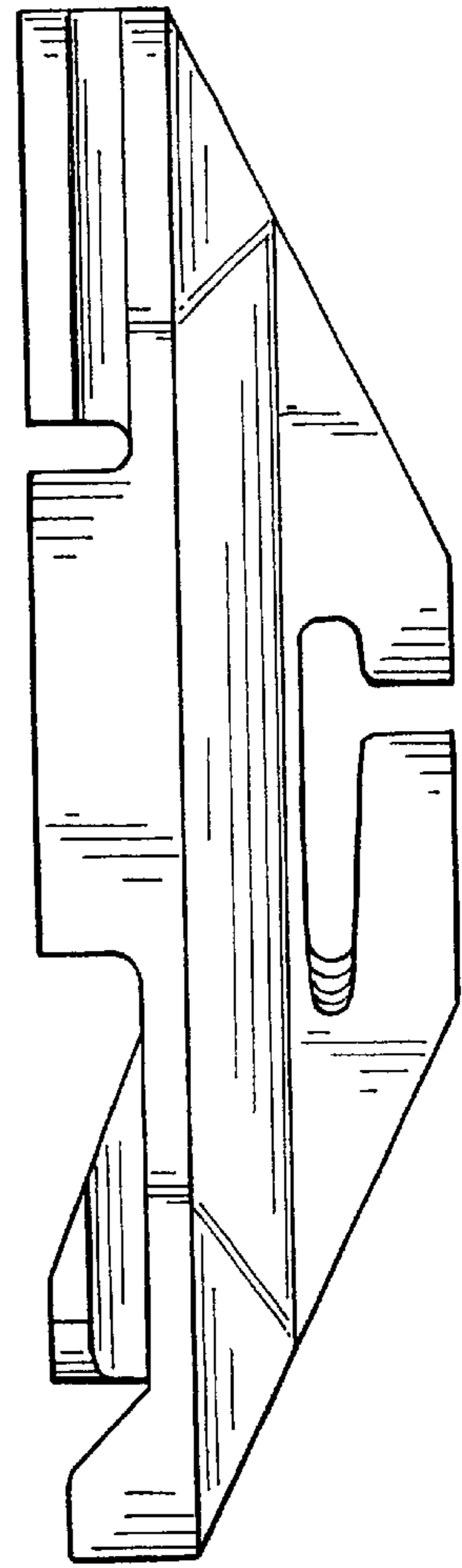


Fig. 4

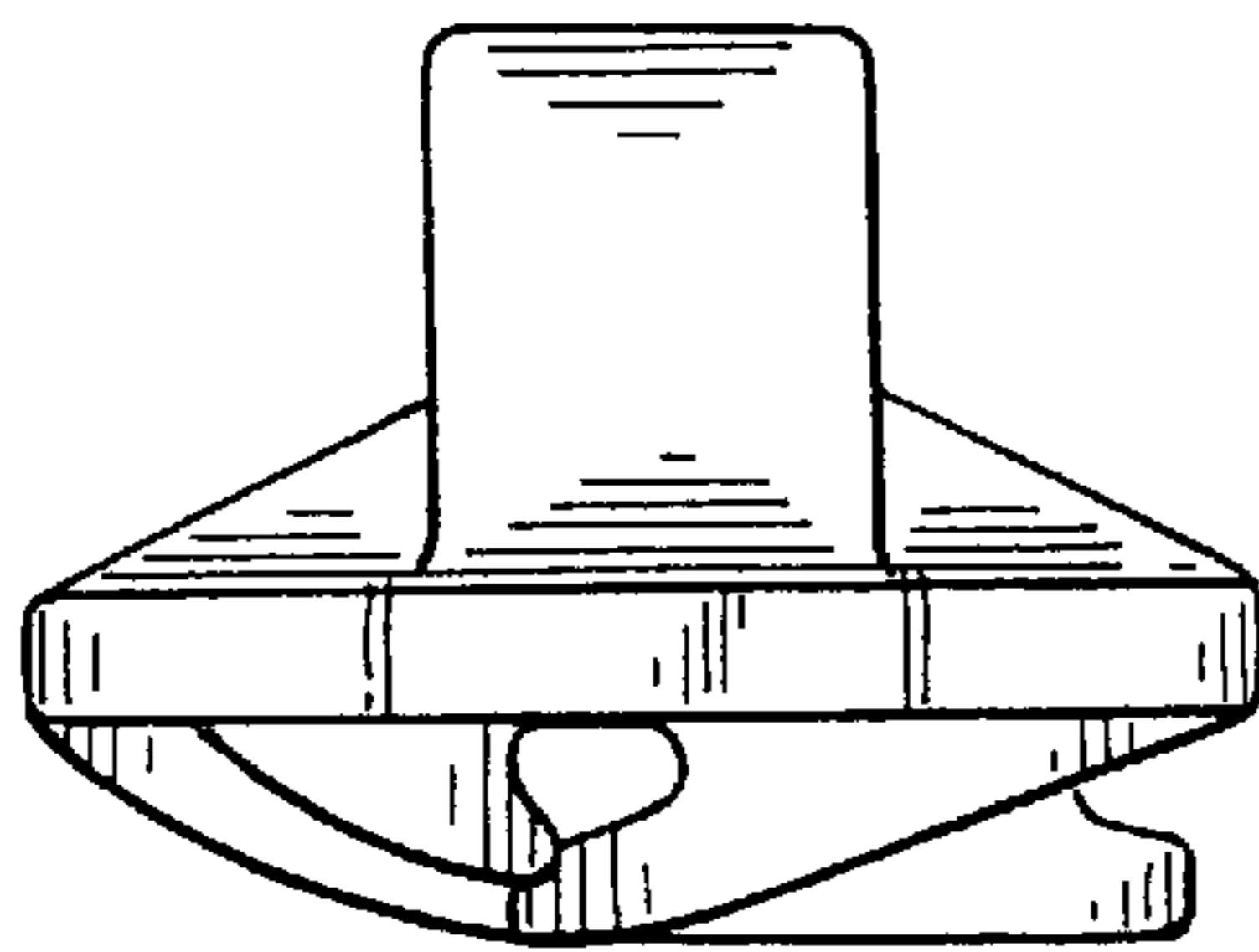


Fig. 7

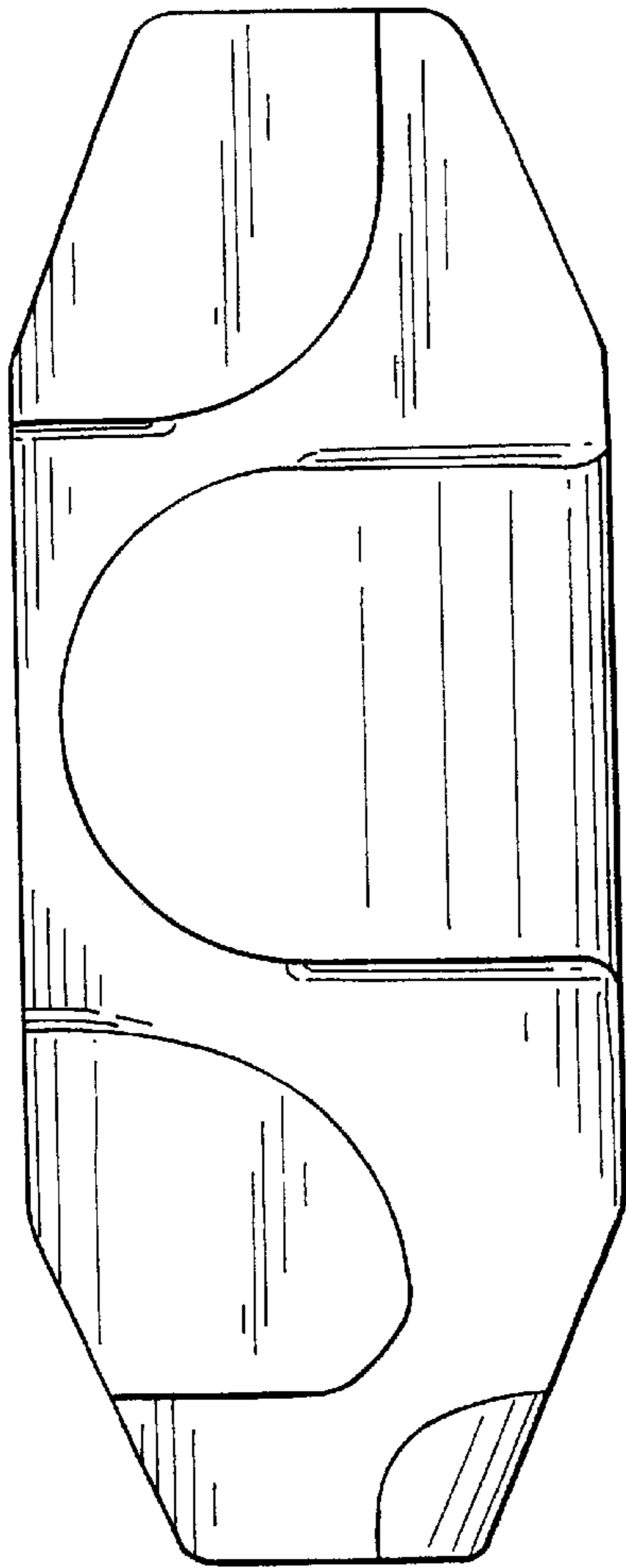


Fig. 5

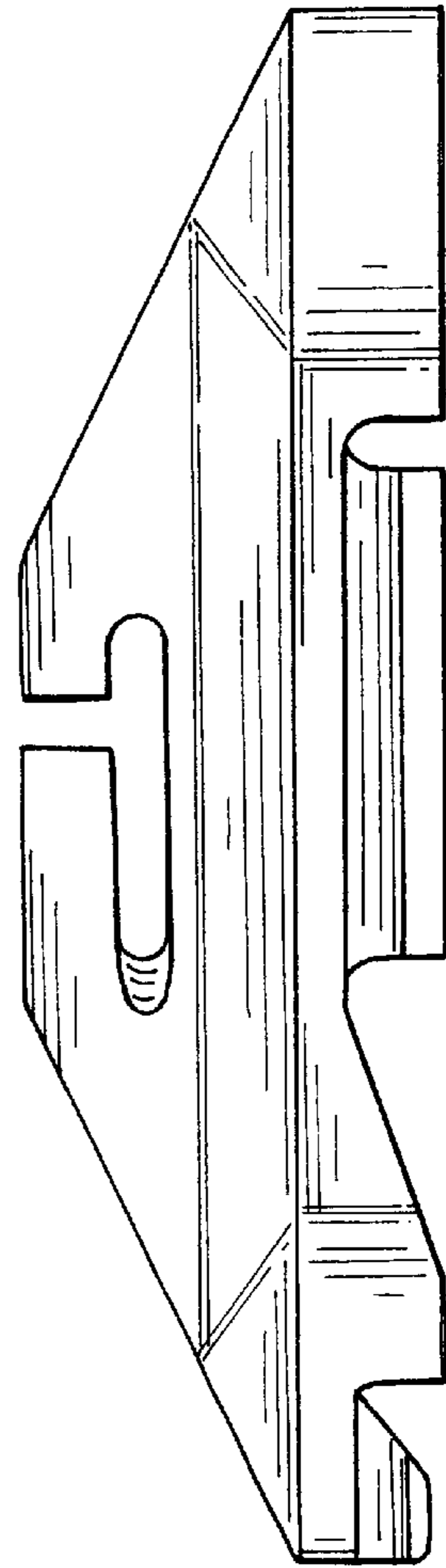


Fig. 6

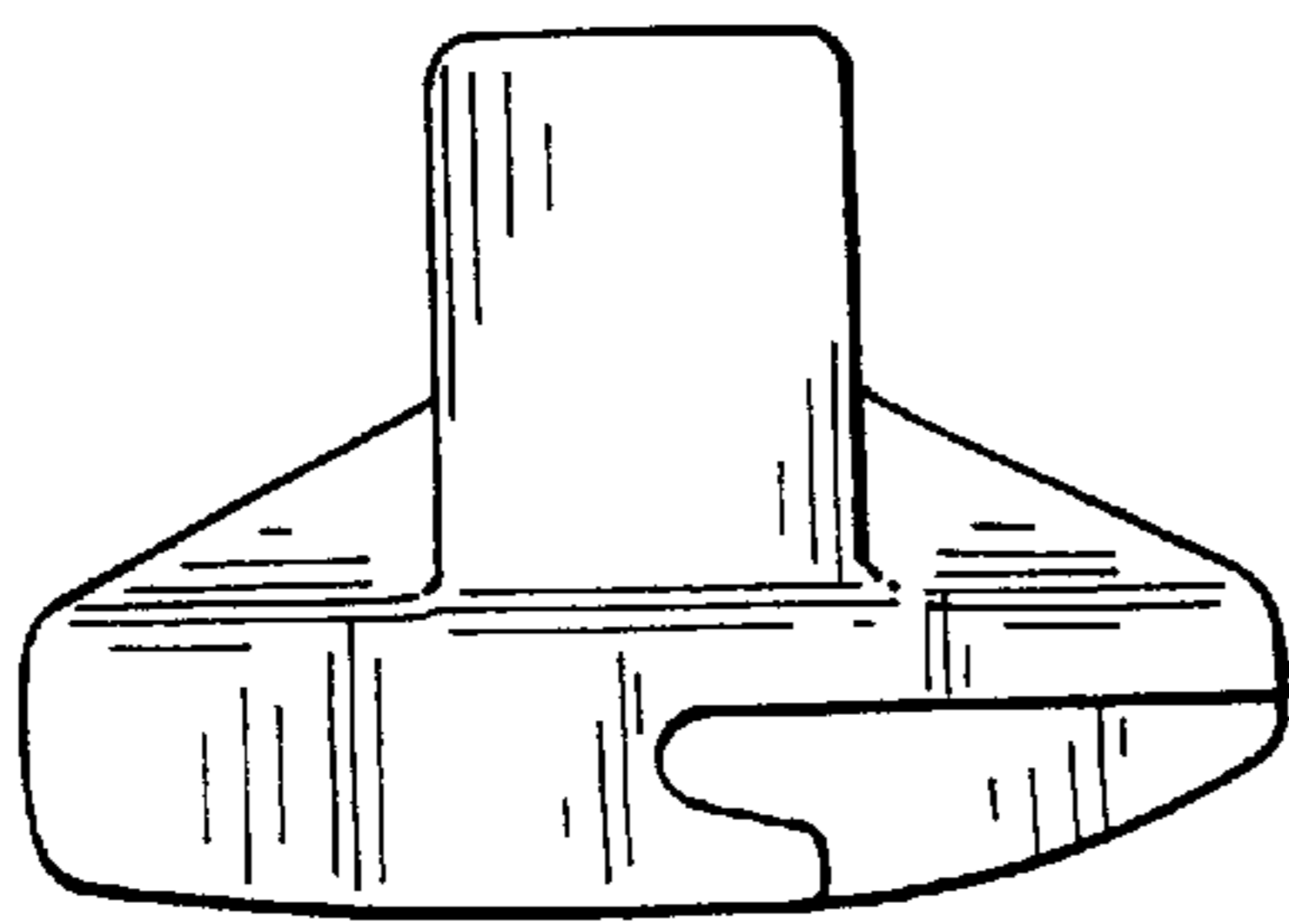


Fig. 8