



US00D464250S

(12) **United States Design Patent**
Warner et al.

(10) **Patent No.:** **US D464,250 S**

(45) **Date of Patent:** **** Oct. 15, 2002**

(54) **BRACKET FOR COUPLING A GLOBAL POSITIONING SYSTEM RELATED DEVICE TO A POLE**

(75) Inventors: **Jack S. Warner**, Campbell, CA (US);
Martin C. Bringuel, San Jose, CA (US); **Brian G. Coleman**, San Jose, CA (US)

(73) Assignee: **Trimble Navigation Limited**, Sunnyvale, CA (US)

(**) Term: **14 Years**

(21) Appl. No.: **29/140,151**

(22) Filed: **Apr. 11, 2001**

(51) **LOC (7) Cl.** **08-05**

(52) **U.S. Cl.** **D8/355**

(58) **Field of Search** D8/349, 354, 355, D8/363, 373, 380, 394, 395, 396; 89/41.06; 250/522.1, 206.1, 206.2, 206.3, 208.1; 248/200, 205.1, 205.4, 207, 214, 218.4, 511, 534, 535, 536, 539; 343/711, 712, 713, 765, 882, 892, 890; 356/4.01, 5.01, 141.1, 152.1; D14/238, 230

(56) **References Cited**

U.S. PATENT DOCUMENTS

4,270,724 A * 6/1981 McMullen 248/534

5,456,442 A * 10/1995 Sutton et al. 248/534
D363,936 S * 11/1995 Nysether et al. D14/238
5,614,918 A * 3/1997 Dinardo et al. 343/882
5,760,748 A * 6/1998 Beckingham 343/765
5,835,069 A * 11/1998 Skoog 343/882
6,262,691 B1 * 7/2001 Austin et al. 343/892

* cited by examiner

Primary Examiner—Doris V. Coles

Assistant Examiner—Elizabeth A. Albert

(74) *Attorney, Agent, or Firm*—Wagner, Murabito & Hao LLP

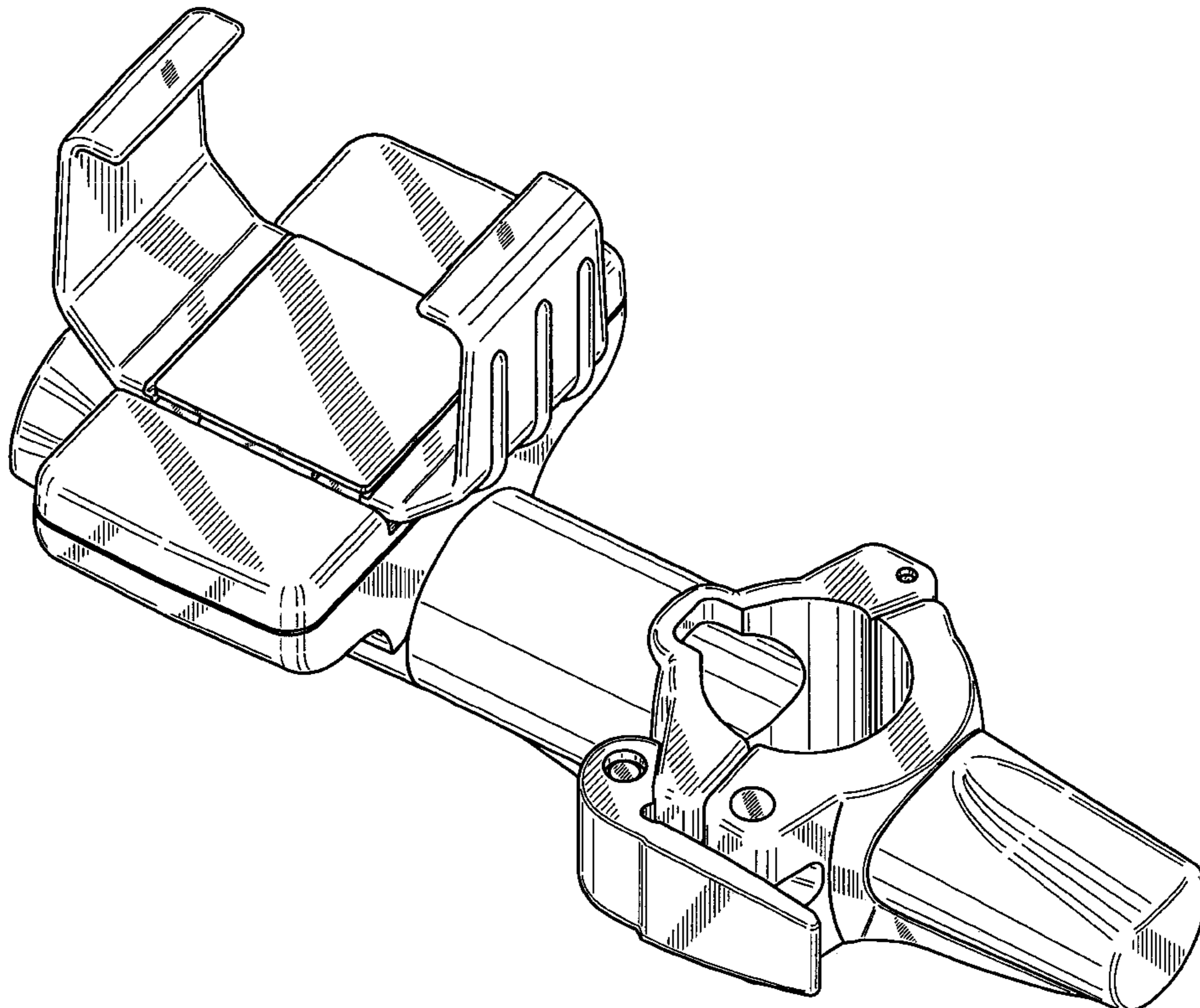
(57) **CLAIM**

The ornamental design for a bracket for coupling a global positioning system related device to a pole, as shown.

DESCRIPTION

FIG. 1 is an upper right front perspective view of the bracket for coupling a global positioning system related device to a pole comprising the present invention;
FIG. 2 is a lower left rear perspective view thereof;
FIG. 3 is a front elevational view thereof;
FIG. 4 is a right side elevational view thereof;
FIG. 5 is a rear elevational view thereof;
FIG. 6 is a left side elevational view thereof;
FIG. 7 is a top plan view thereof; and,
FIG. 8 is a bottom plan view thereof.

1 Claim, 7 Drawing Sheets



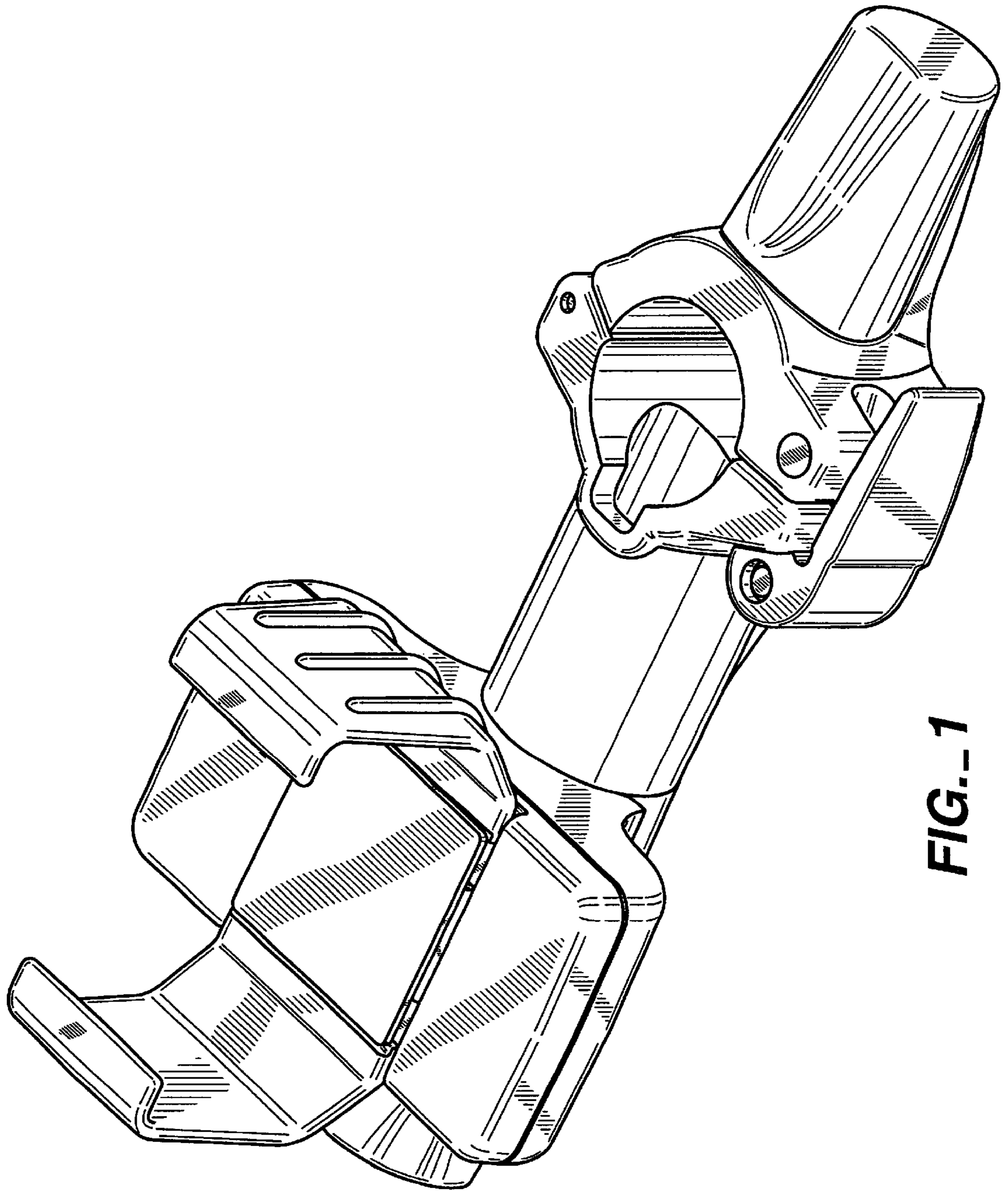


FIG. 1

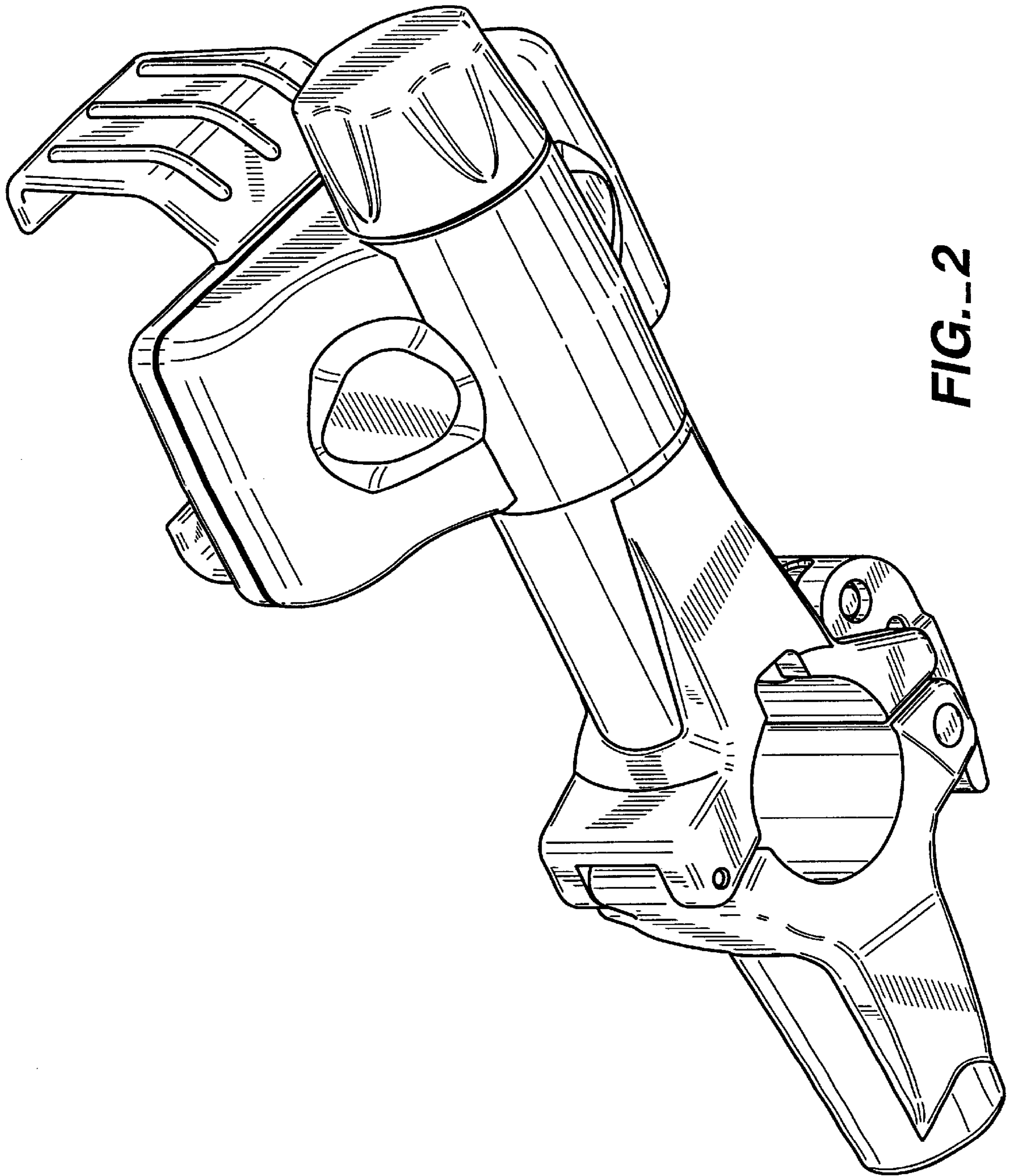


FIG. 2

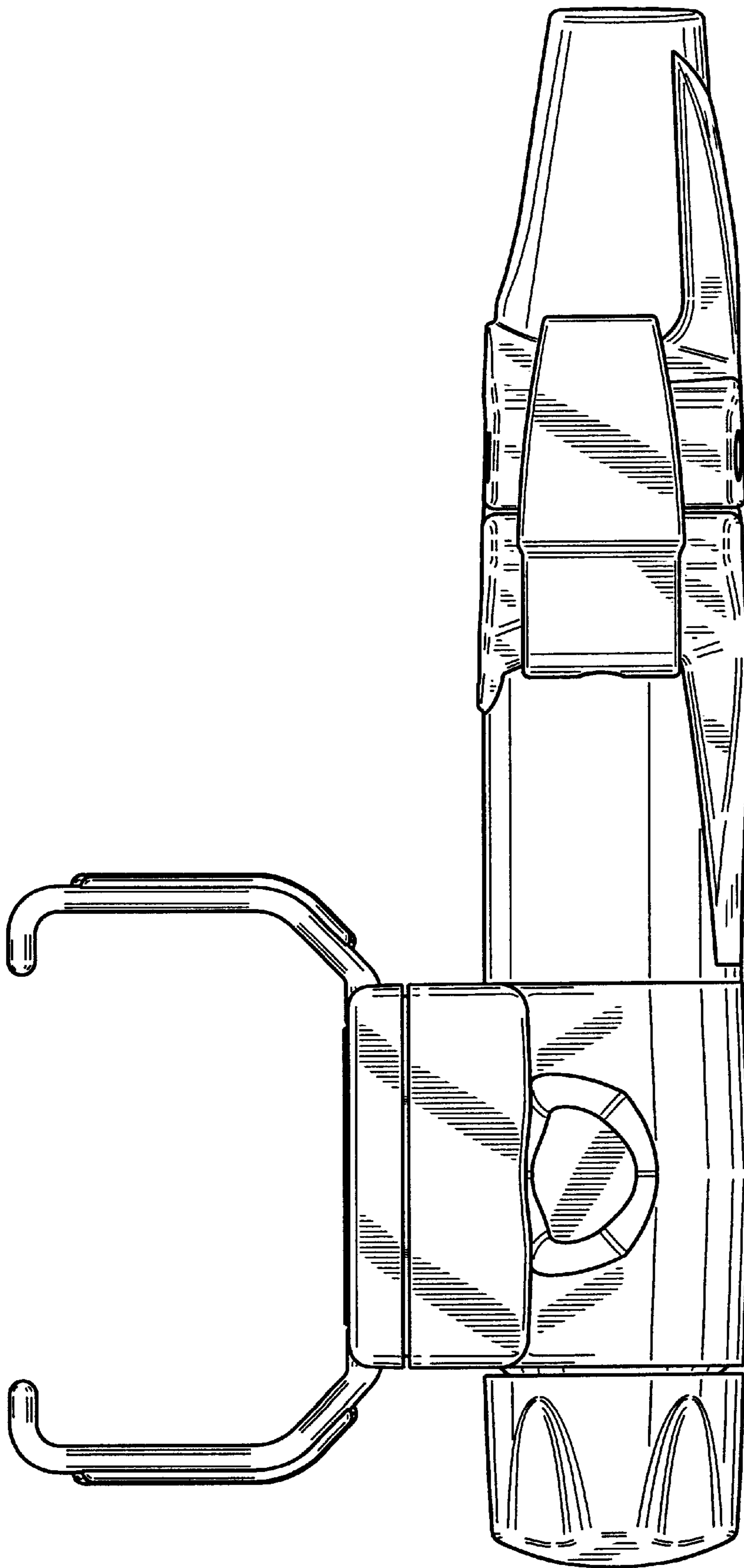


FIG. 3

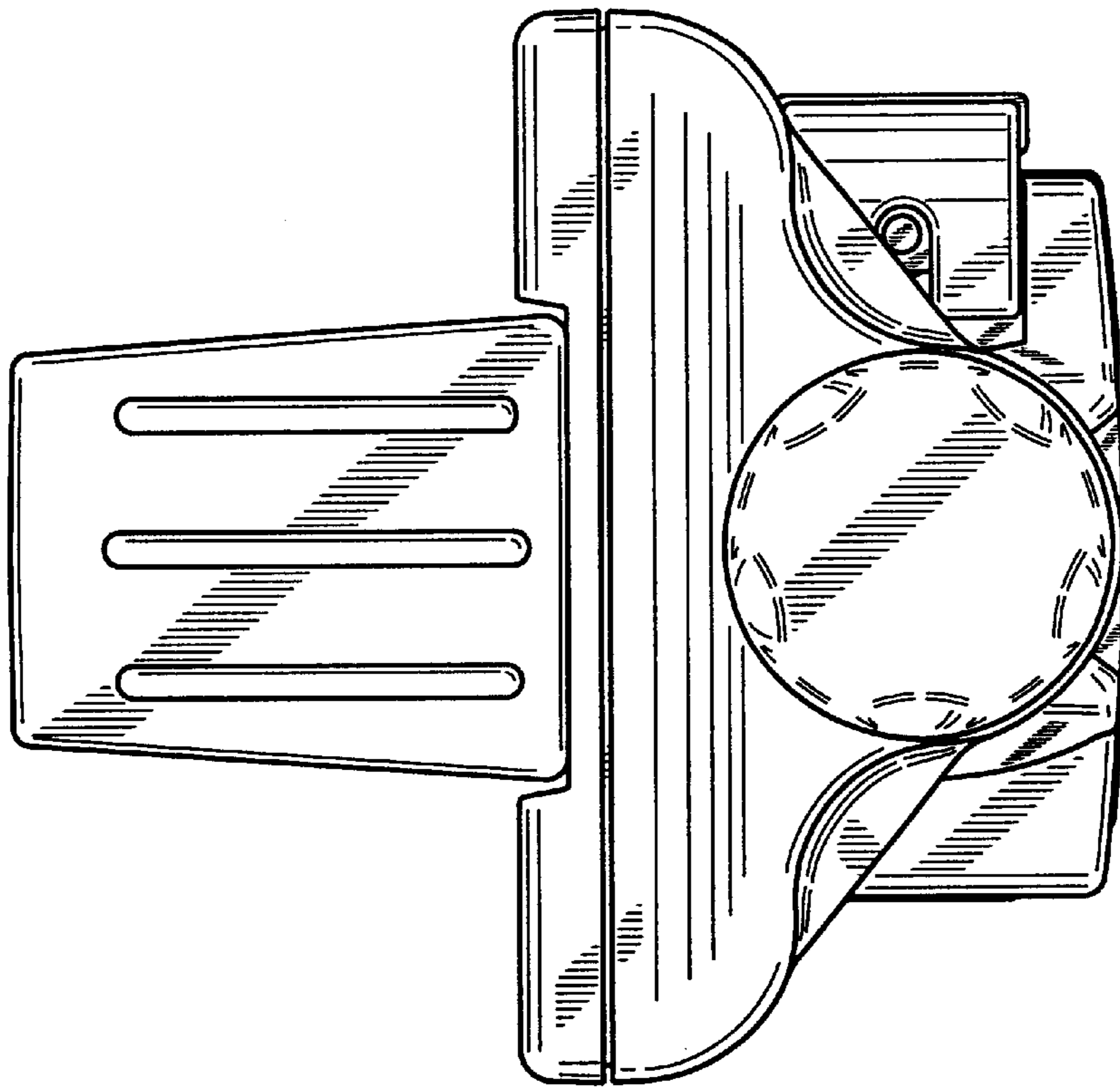


FIG. 6

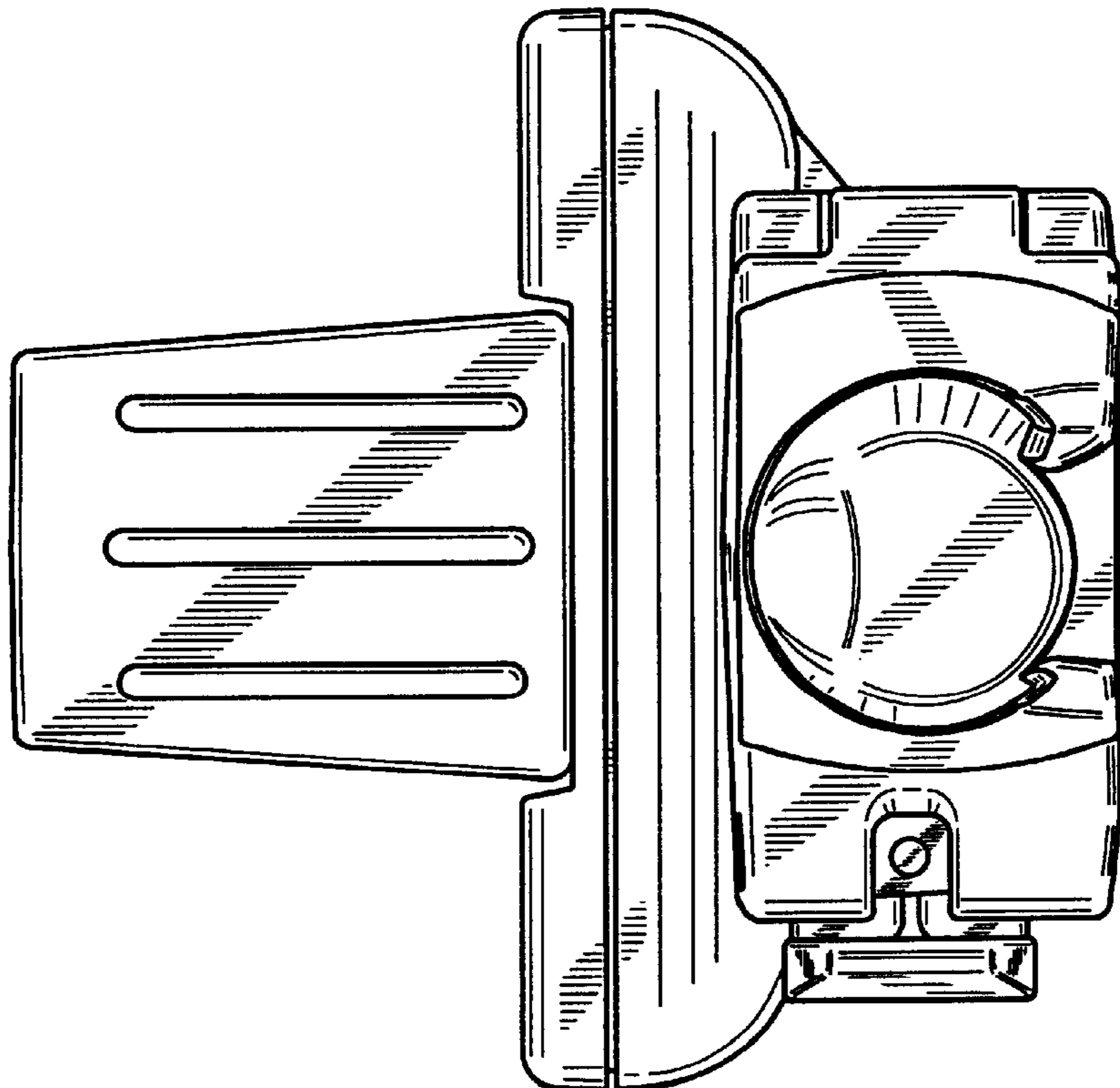


FIG. 4

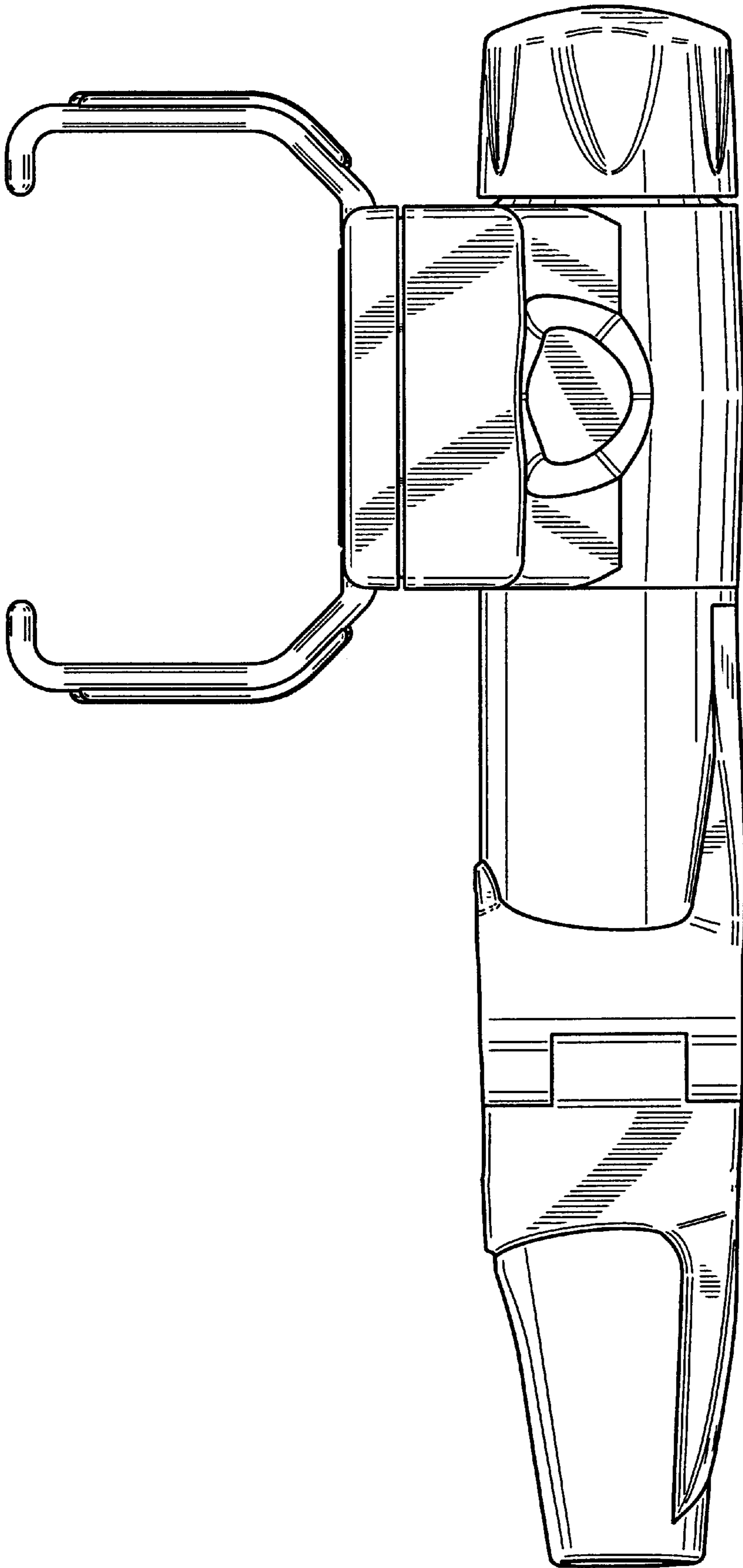


FIG. 5

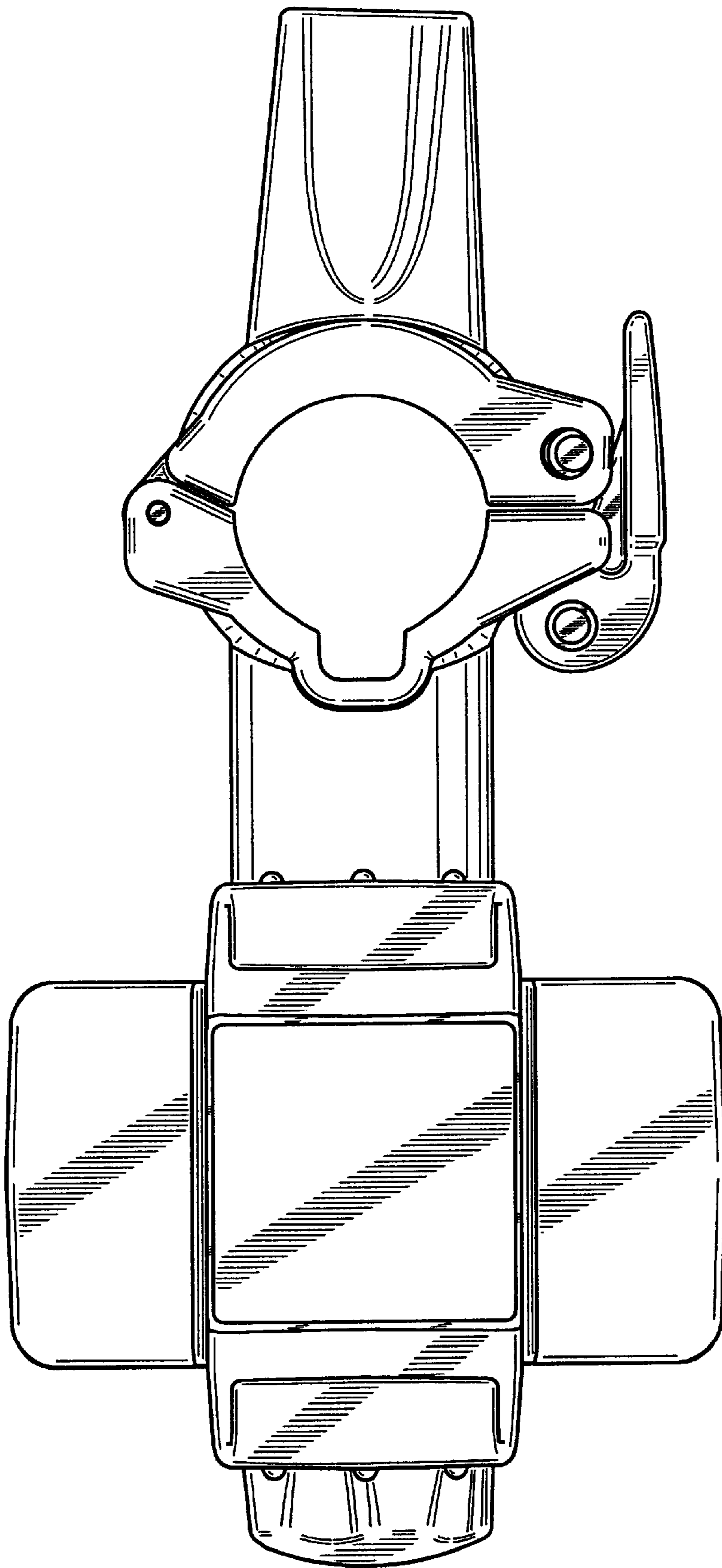


FIG. 7

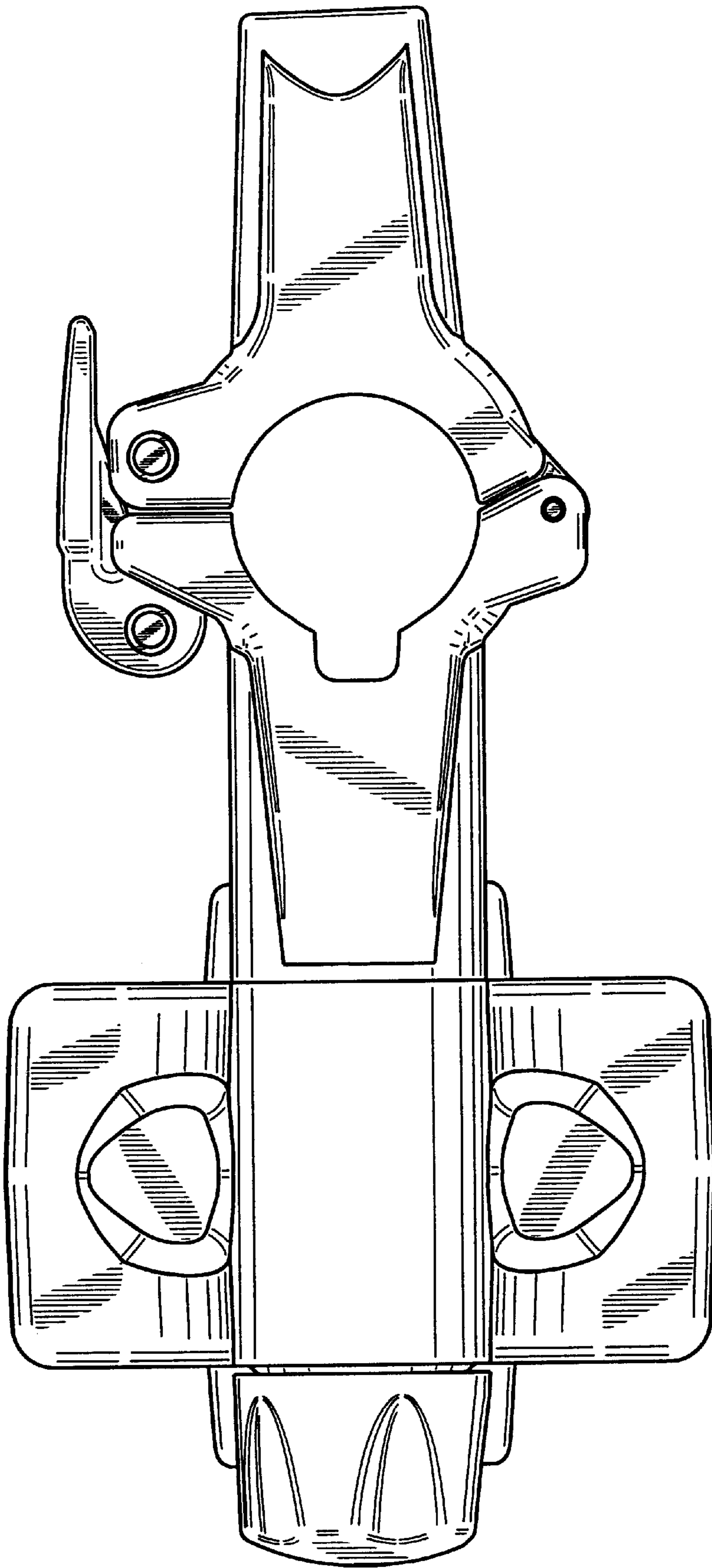


FIG. 8