



US00D464247S

(12) **United States Design Patent** (10) **Patent No.:** **US D464,247 S**  
**Lin** (45) **Date of Patent:** **\*\* Oct. 15, 2002**

(54) **FOLDABLE HANDLE FOR A HANDTOOL**

(76) Inventor: **Chi-Fu Lin**, No. 67, Yenhsing Rd., Yungkang City, Tainan Hsien (TW)

(\*\*) Term: **14 Years**

(21) Appl. No.: **29/145,196**

(22) Filed: **Jul. 17, 2001**

(51) **LOC (7) Cl.** ..... **08-01**

(52) **U.S. Cl.** ..... **D8/107**

(58) **Field of Search** ..... D8/10, 107, 24, D8/98, 99, 82, 83, 87; 81/436-440, 489, 177.1; 16/426; 294/57-59, 49, 50.5, 50.7, 50.9; 403/361

(56) **References Cited**

**U.S. PATENT DOCUMENTS**

D197,375 S	*	1/1964	Thomas	
3,401,971 A	*	9/1968	Cronquist	
4,155,582 A	*	5/1979	Reisner	294/58
D376,305 S	*	12/1996	Kung	D8/82
D395,211 S	*	6/1998	Linden et al.	D8/10
D426,436 S	*	6/2000	Ng	D8/10

\* cited by examiner

*Primary Examiner*—Alan P. Douglas

*Assistant Examiner*—Clare E. Heflin

(74) *Attorney, Agent, or Firm*—Dellett and Walters

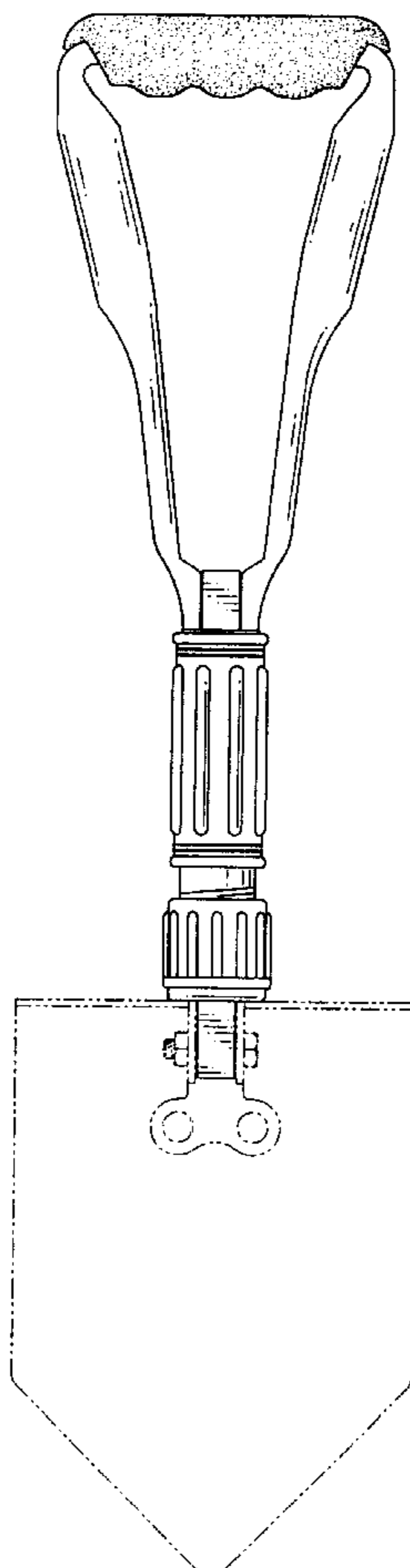
(57) **CLAIM**

The ornamental design for a foldable handle for a handtool, as shown and described.

**DESCRIPTION**

FIG. 1 is a perspective view of a foldable handle for a handtool showing my new design;  
 FIG. 2 is a front elevational view thereof;  
 FIG. 3 is a rear elevational view thereof;  
 FIG. 4 is a left side view thereof;  
 FIG. 5 is a right side view thereof;  
 FIG. 6 is a top plan view thereof;  
 FIG. 7 is a bottom plan view thereof;  
 FIG. 8 is a view showing the application thereof, wherein the broken line portion is for illustrative purpose only and forms no part of the claimed design; and,  
 FIG. 9 is a front view of the handle for a handtool, wherein the handle for a handtool of my new design is folded and the broken line portion is for illustrative purpose only and forms no part of the claimed design.

**1 Claim, 6 Drawing Sheets**



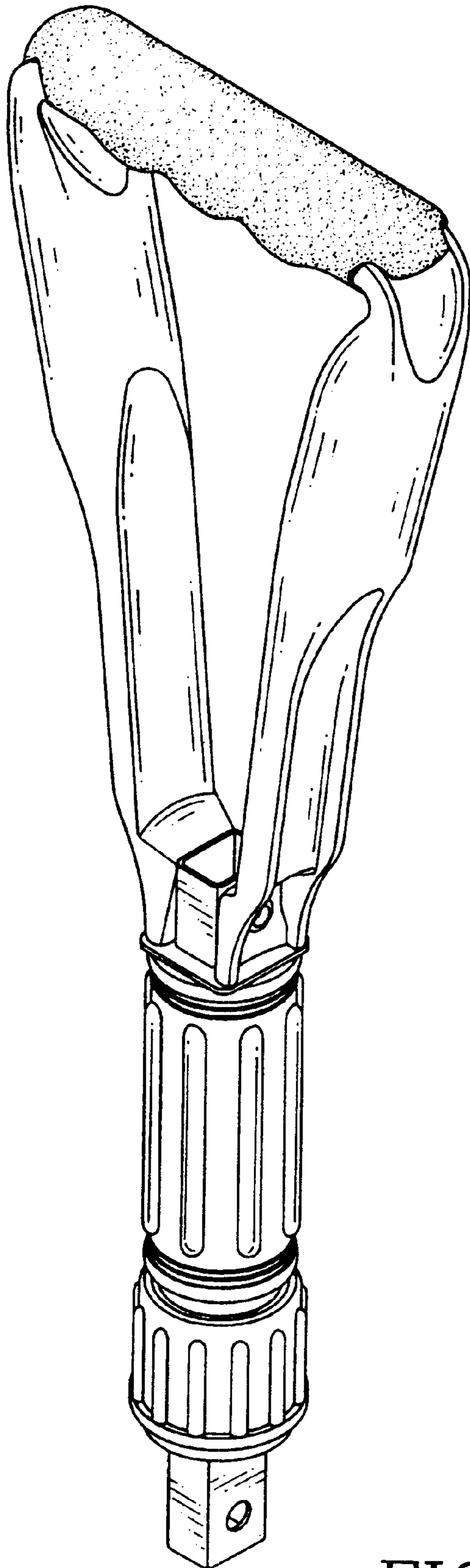


FIG. 1

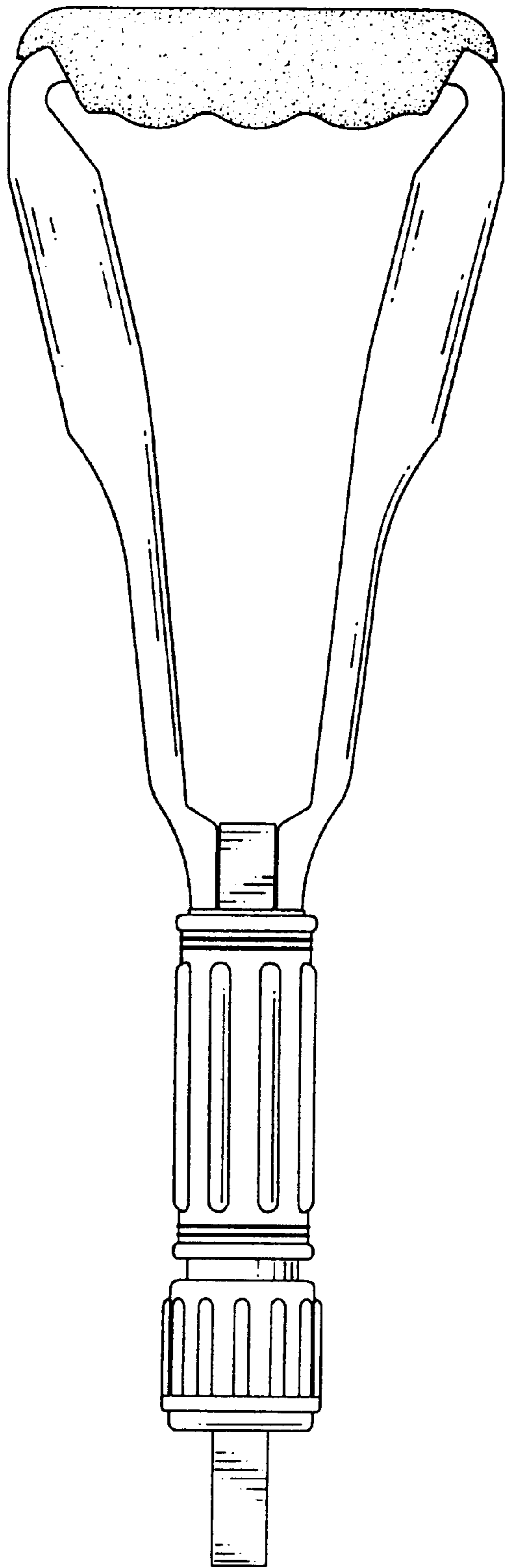


FIG. 2

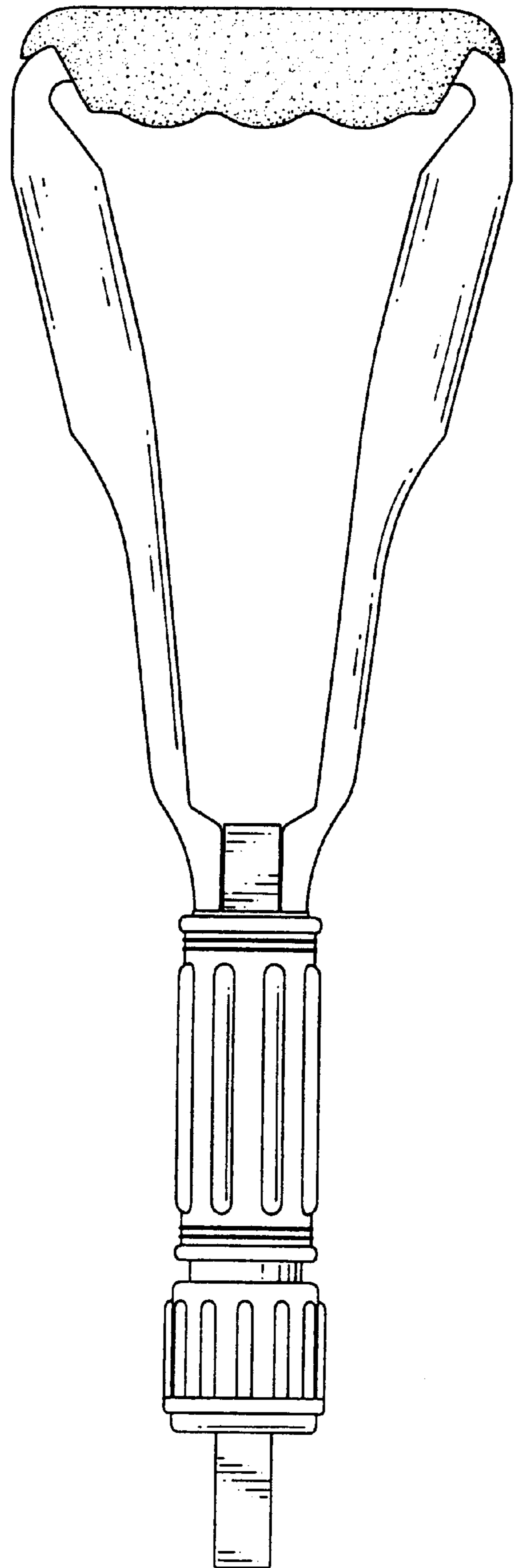


FIG. 3

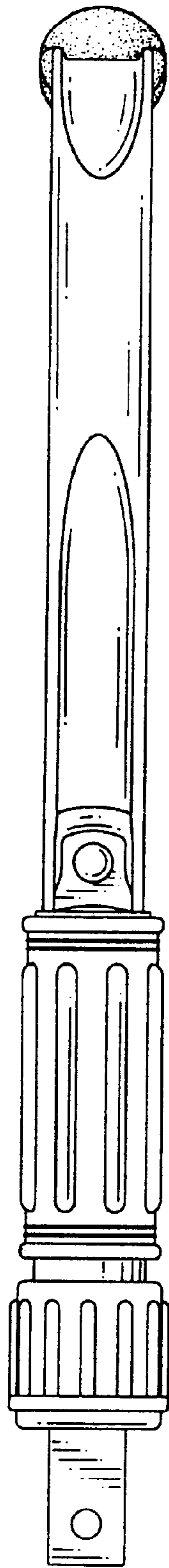


FIG. 4

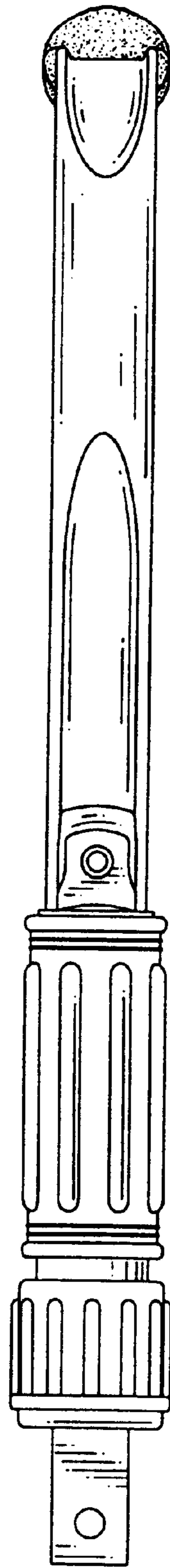


FIG. 5

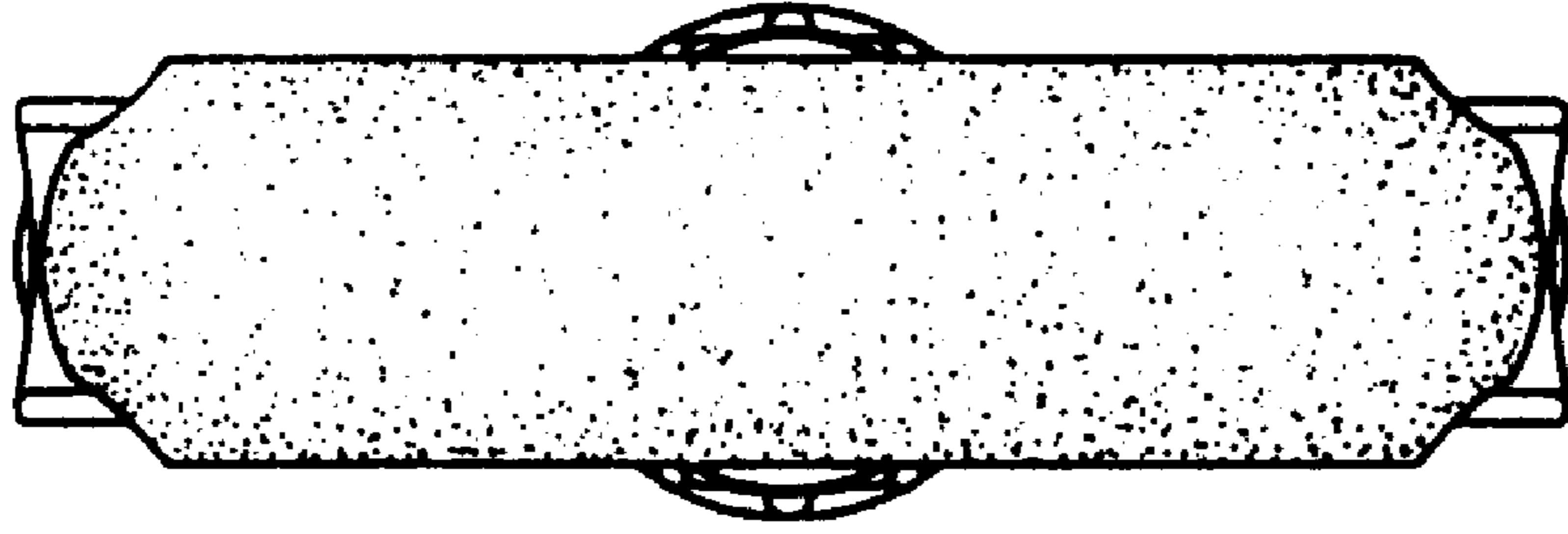


FIG. 6

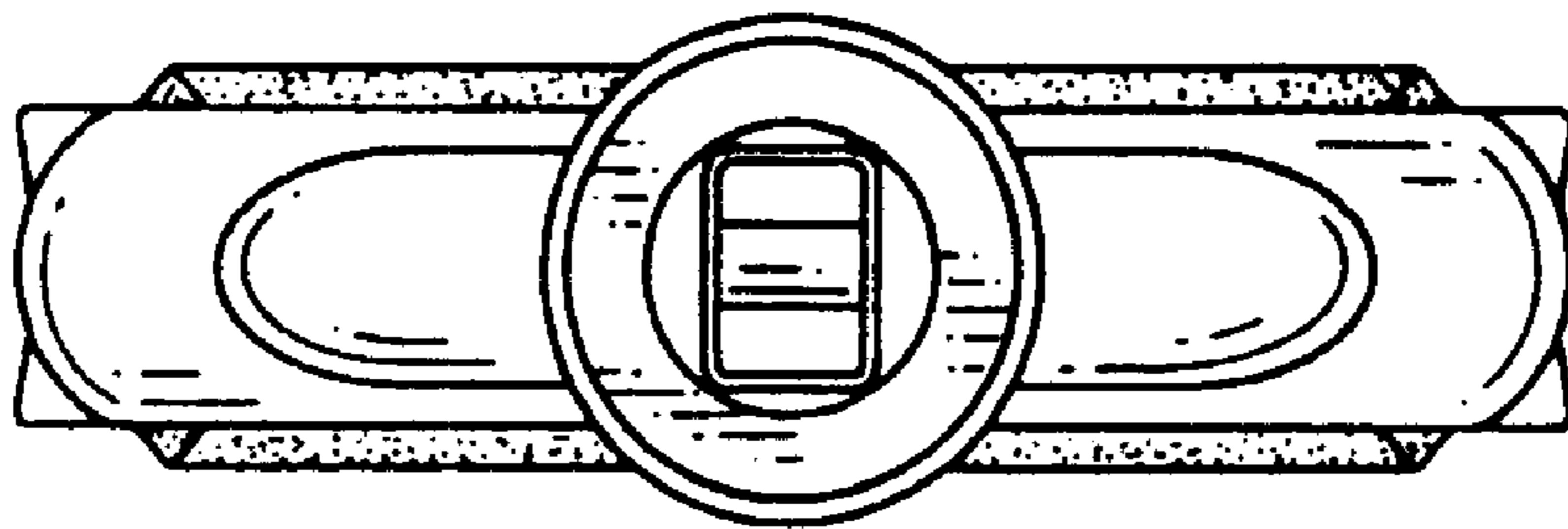


FIG. 7

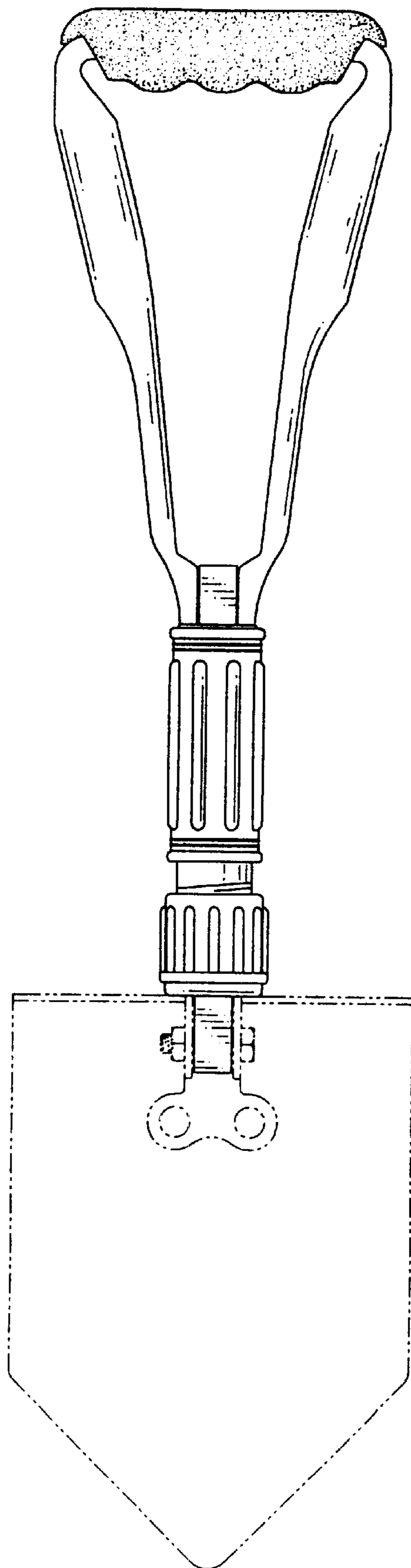


FIG. 8

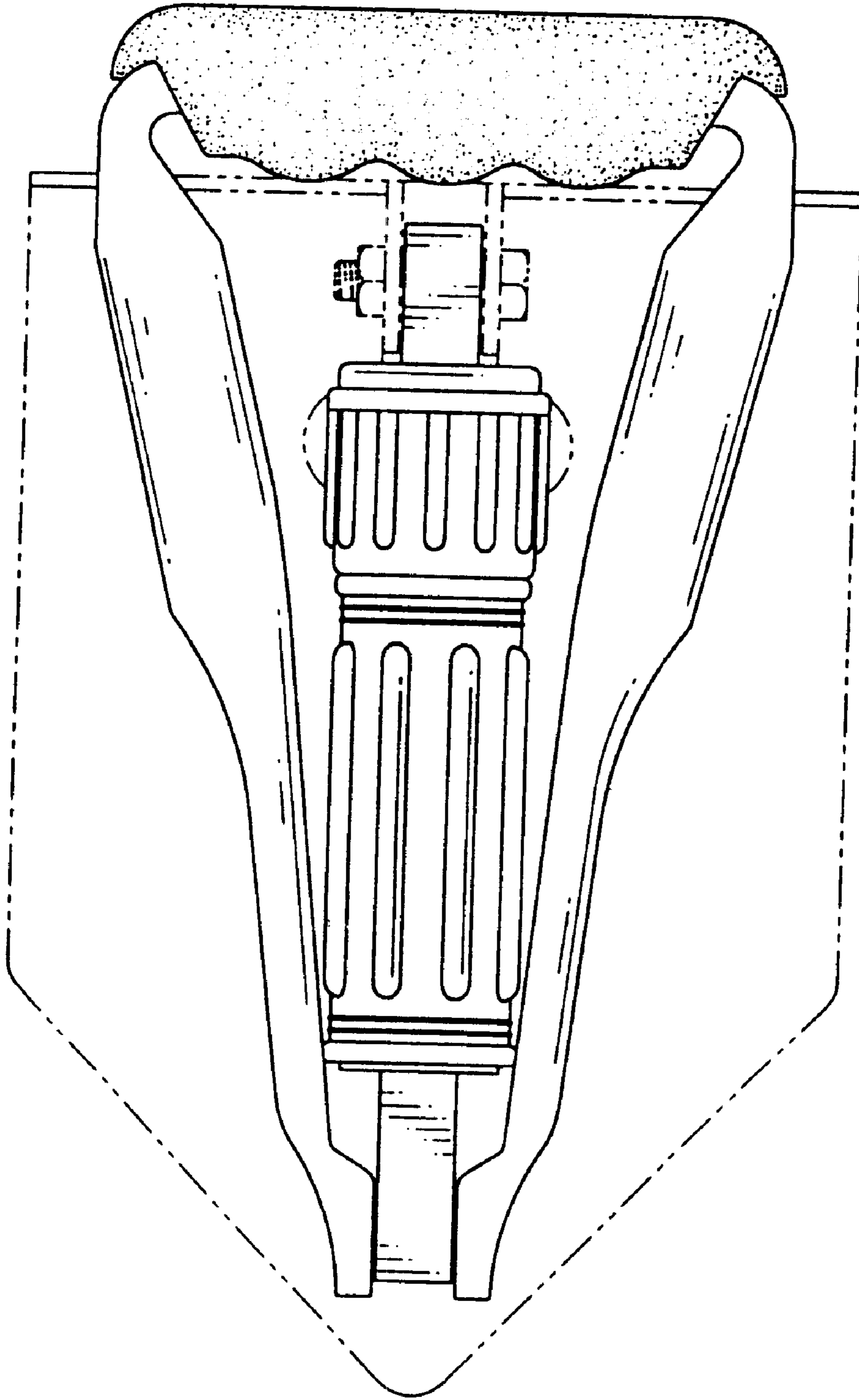


FIG. 9