



US00D464242S

(12) **United States Design Patent**
Shutts et al.

(10) **Patent No.:** **US D464,242 S**

(45) **Date of Patent:** **** Oct. 15, 2002**

(54) **PUNCH DOWN TOOL WITH LIGHT**

(75) Inventors: **Leslie B. Shutts**, Ruther Glen, VA (US); **Yin Ho Cheng**, Taipai Hsien (TW); **Huang De Sei**, Taipai Hsien (TW)

(73) Assignee: **Connectool Inc.**, Ashland, VA (US)

(**) Term: **14 Years**

(21) Appl. No.: **29/145,928**

(22) Filed: **Aug. 2, 2001**

(51) **LOC (7) Cl.** **08-05**

(52) **U.S. Cl.** **D8/51; D8/14**

(58) **Field of Search** D8/14, 51; 29/566.4, 29/751, 278, 758; D26/38

(56) **References Cited**

U.S. PATENT DOCUMENTS

4,434,542 A	3/1984	Forberg et al.	29/566.4
4,682,412 A	7/1987	Pfeffer	29/750
4,958,427 A *	9/1990	Smith et al.	29/566.4
4,999,914 A	3/1991	Cheng	30/358
5,195,230 A *	3/1993	Krietzman	29/566.4
D359,208 S *	6/1995	Ivey	D8/14

5,479,669 A	1/1996	Chen	7/107
D382,454 S	8/1997	McMahon	D8/51
5,813,109 A	9/1998	Ziegler et al.	29/566.4
5,842,268 A	12/1998	Arnfield	29/566.4
5,887,333 A	3/1999	Clark	29/566.4
D429,130 S *	8/2000	Fallandy	D8/51
D440,844 S *	4/2001	Fallandy	D8/51

OTHER PUBLICATIONS

Connectool Inc., Paladin Tools Catalog, P/N Cat 01.

* cited by examiner

Primary Examiner—Philip S. Hyder

(74) *Attorney, Agent, or Firm*—Lawrence E. Laubscher, Sr.

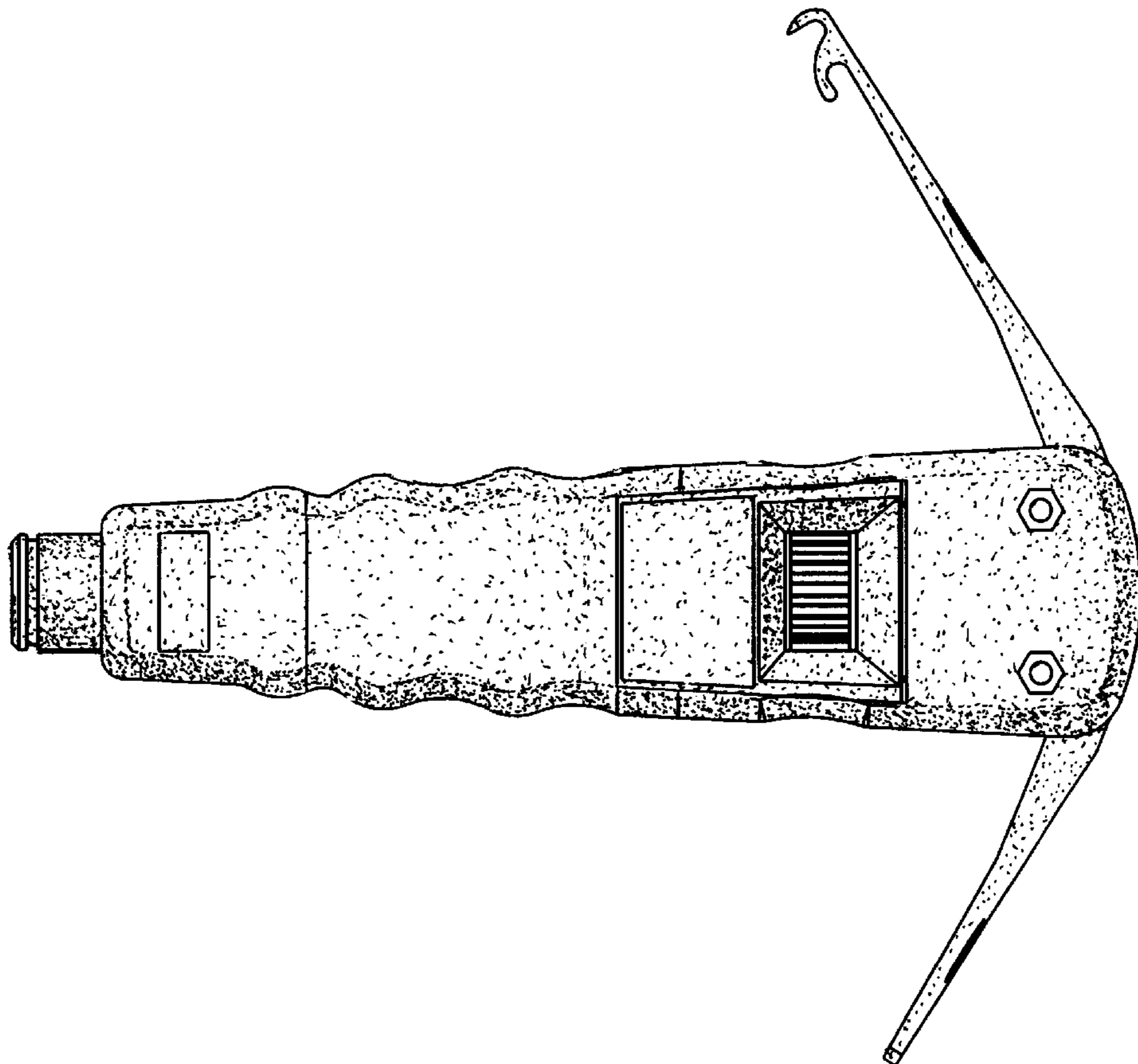
(57) **CLAIM**

The ornamental design for a design for a punch down tool with light, as shown.

DESCRIPTION

FIG. 1 is a top plan view of the punch down tool; FIG. 2 is a bottom plan view of the punch down tool; FIG. 3 is a right side elevation view of the punch down tool; FIG. 4 is a front elevation view of the punch down tool; and, FIG. 5 is a rear elevation view of the punch down tool.

1 Claim, 5 Drawing Sheets



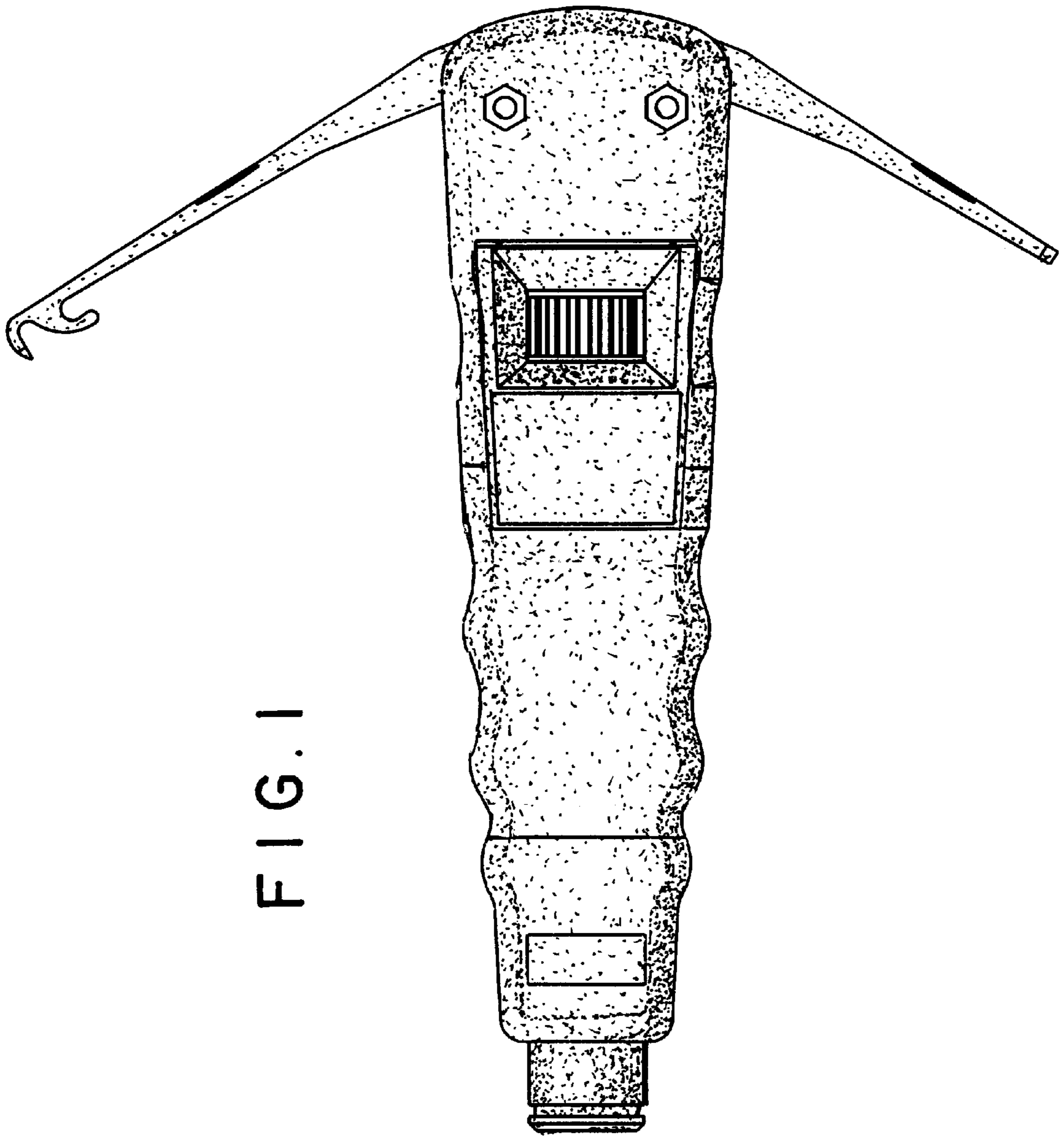


FIG. 1

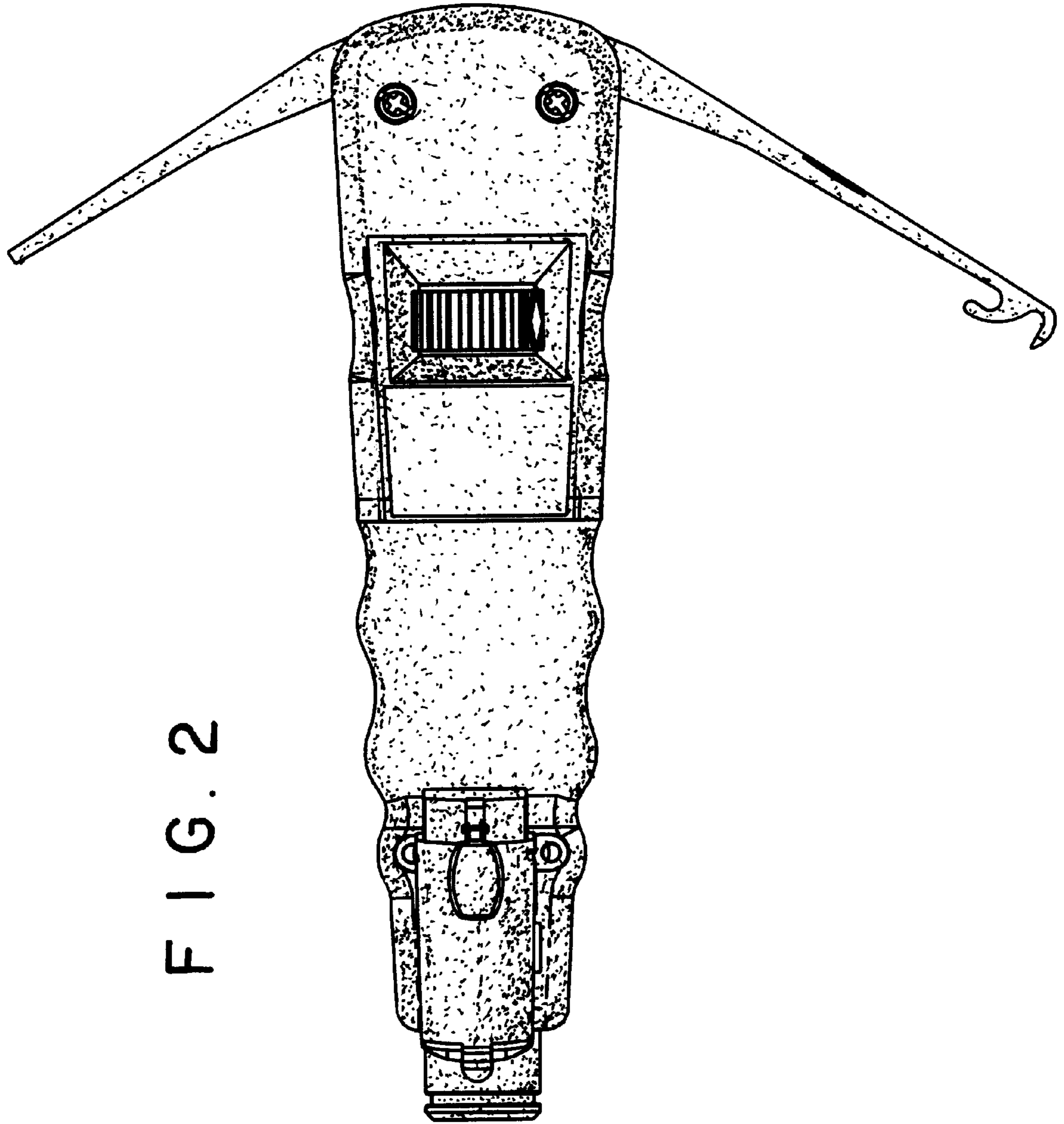


FIG. 2

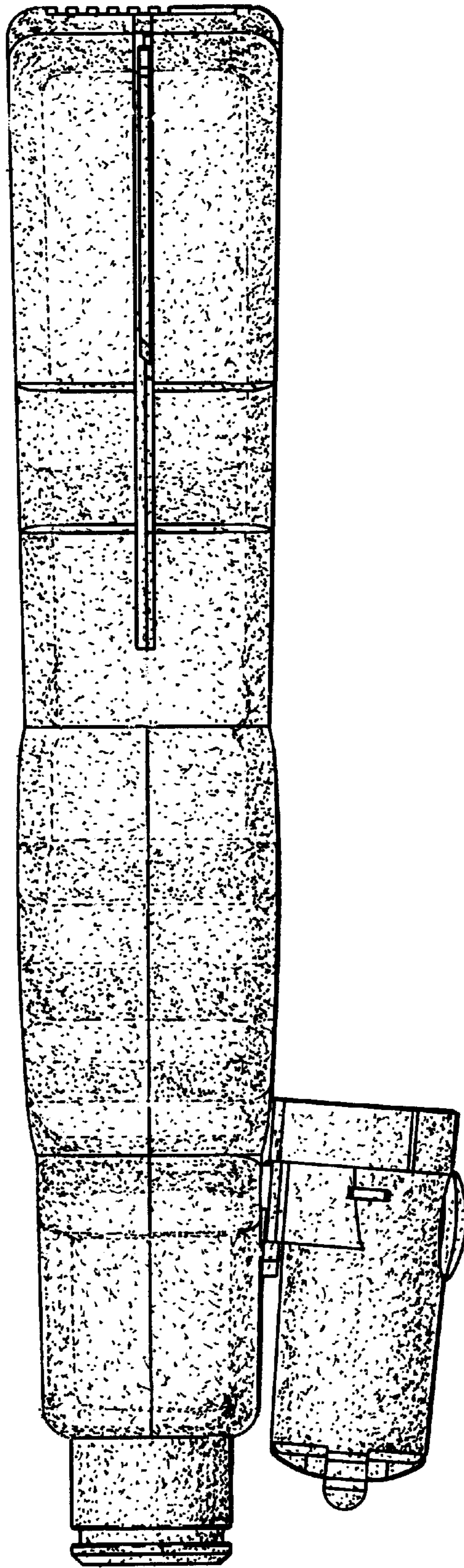


FIG. 3

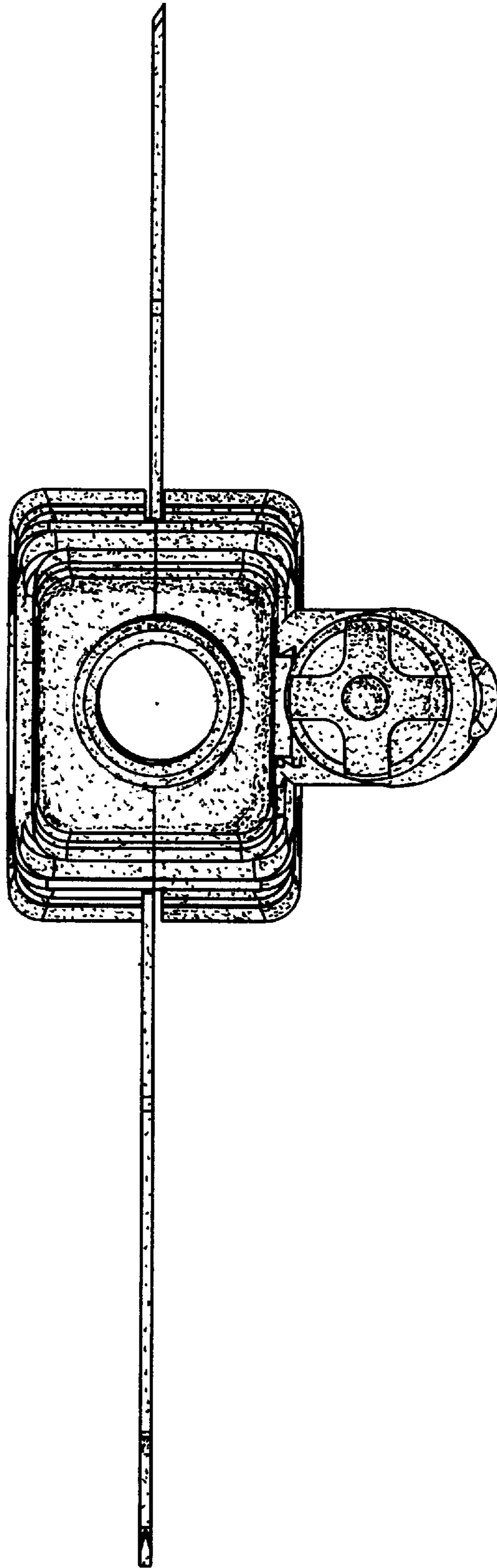


FIG. 4

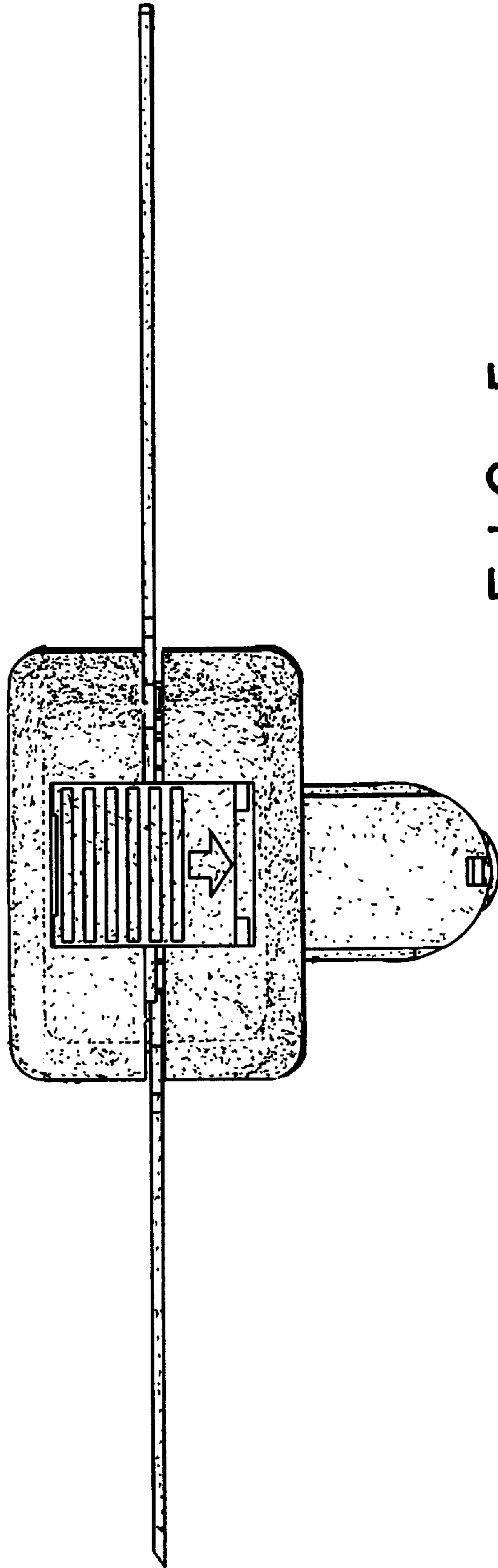


FIG. 5