



US00D464241S

(12) **United States Design Patent**
Sun

(10) **Patent No.:** **US D464,241 S**

(45) **Date of Patent:** **** Oct. 15, 2002**

(54) **CORK EXTRACTOR**

6,357,322 B1 * 3/2002 Dolan et al. 81/3.37
D455,058 S * 4/2002 Stirling D8/39

(75) Inventor: **Lim Chan Sun**, Hong Kong (HK)

OTHER PUBLICATIONS

(73) Assignee: **Technical Development (HK) Limited**
(HK)

www.winetimegiftstore.com, 2pgs., Jan. 9, 2002, lever
model lx and lever model 2000.*

(**) Term: **14 Years**

Summer 1997 Chef's Catalog, dated May 5, 1997, p. 76,
Leverpull LX professional model.*

(21) Appl. No.: **29/158,349**

* cited by examiner

(22) Filed: **Apr. 3, 2002**

Primary Examiner—Jeffrey Asch

(51) **LOC (7) Cl.** **07-99**

(74) *Attorney, Agent, or Firm*—Jackson Walker L.L.P.

(52) **U.S. Cl.** **D8/39; D8/42**

(57) **CLAIM**

(58) **Field of Search** D8/33-43, 308,
D8/4, 5, 107, 52, 48; 30/400-443; 81/3.07-3.49;
7/151-156; D7/665, 666; D23/250, 252;
D12/179, 180; 74/523, 480 R, 489, 502.2

The ornamental design of a cork extractor, as shown and
described.

DESCRIPTION

(56) **References Cited**

FIG. 1 is a front perspective view of the present invention.

FIG. 2 is a front view thereof.

FIG. 3 is a rear view thereof.

FIG. 4 is a right side view thereof.

FIG. 5 is a left side view thereof.

FIG. 6 is a top plan view thereof.

FIG. 7 is a bottom plan view thereof; and,

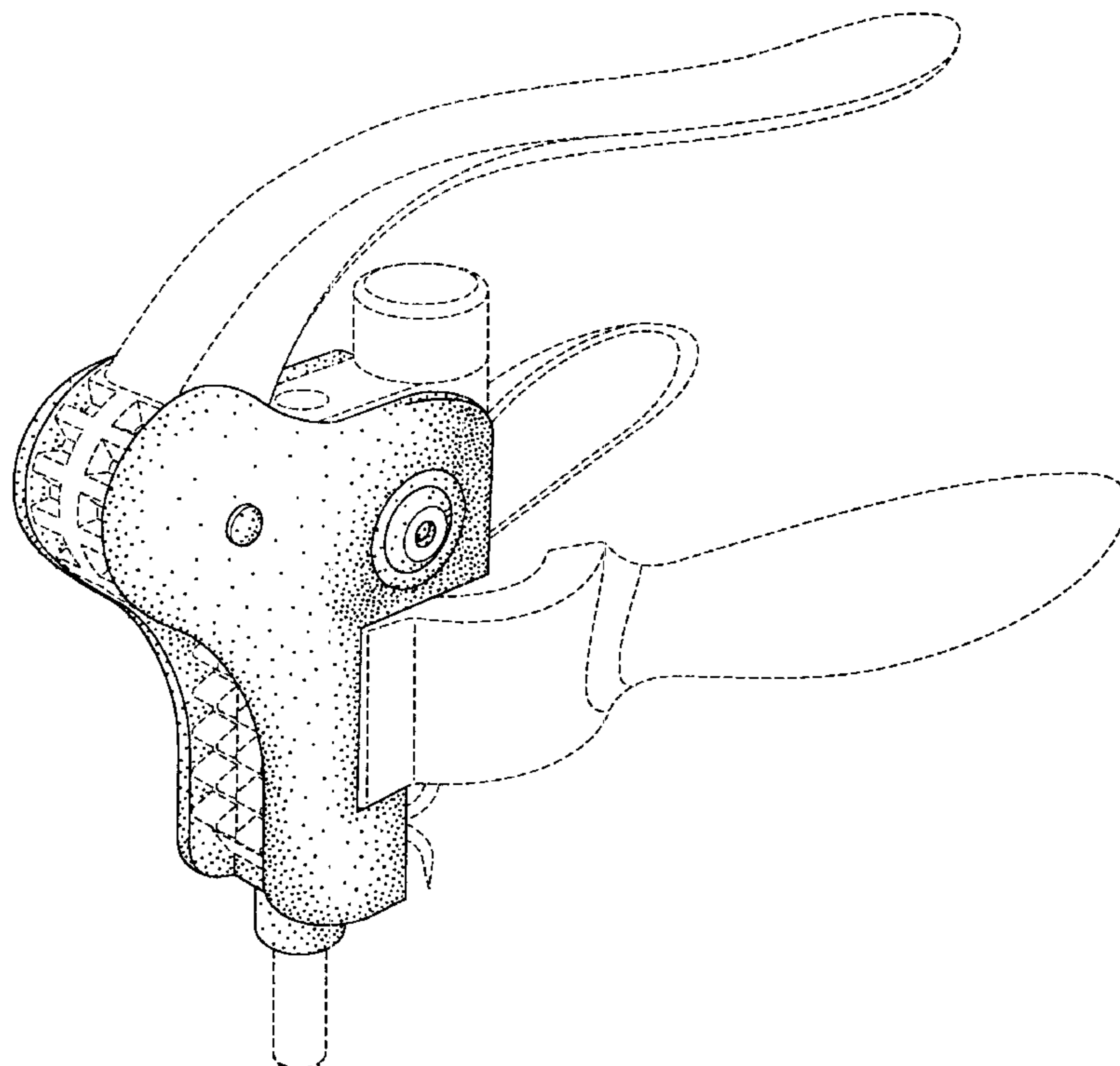
FIG. 8 is an additional front perspective view showing the
present invention in an alternate environment for use.

The broken line showings throughout the views are for
illustrative purposes only and form no part of the claimed
design.

U.S. PATENT DOCUMENTS

4,253,351 A	*	3/1981	Allen	81/3.29
D408,697 S	*	4/1999	Bergen	D8/42
D415,667 S	*	10/1999	de Bergen	D8/42
D420,558 S	*	2/2000	Lee	D8/39
D430,994 S	*	9/2000	Kilduff	D8/39
D441,265 S	*	5/2001	Kilduff	D8/39
D442,043 S	*	5/2001	Kao	D8/39
D442,045 S	*	5/2001	Kilduff	D8/39
D444,045 S	*	6/2001	Kay	D8/39
D445,008 S	*	7/2001	Andina et al.	D8/42
D446,098 S	*	8/2001	Kilduff	D8/39
D446,702 S	*	8/2001	Kilduff	D8/39

1 Claim, 7 Drawing Sheets



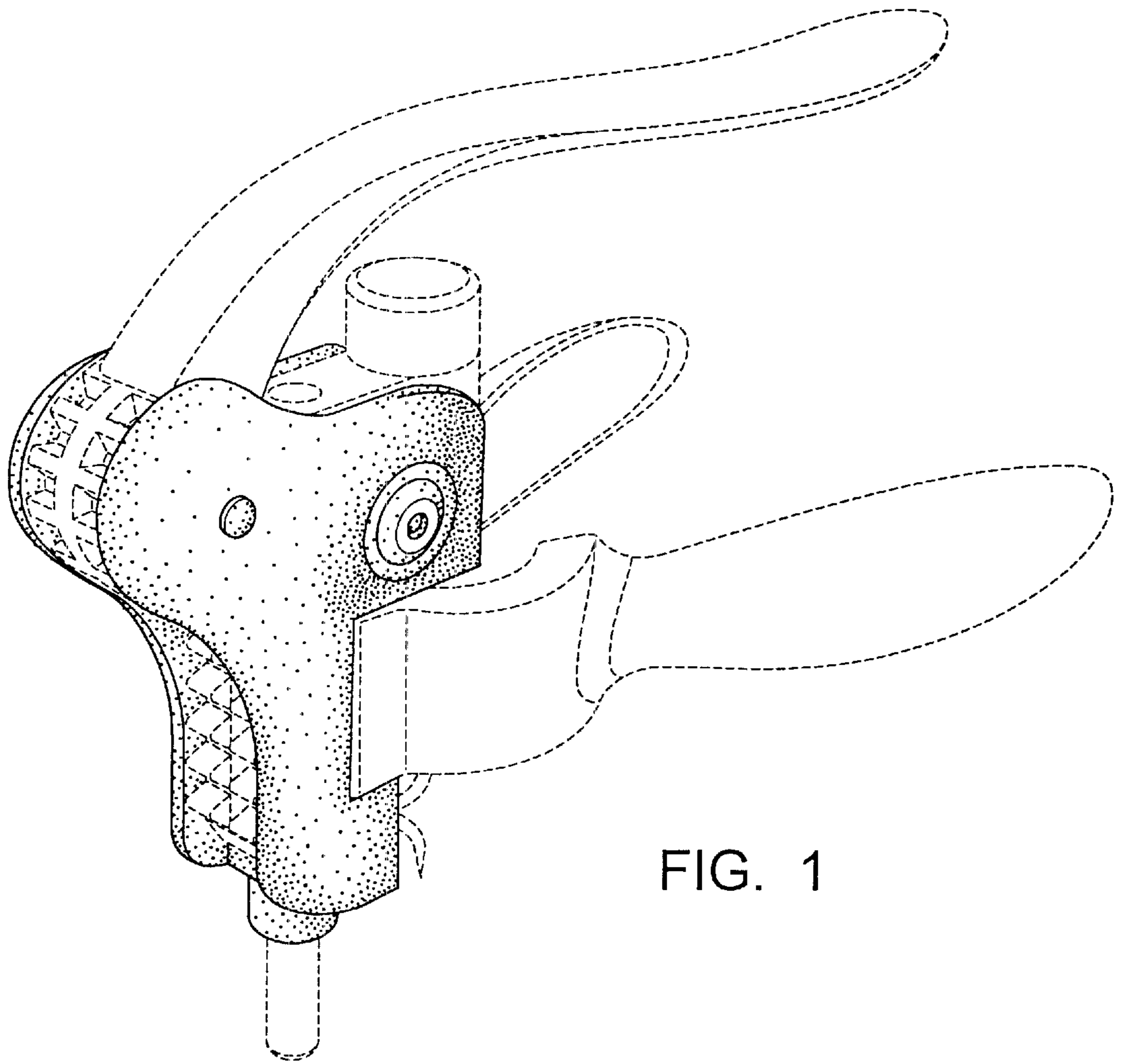


FIG. 1

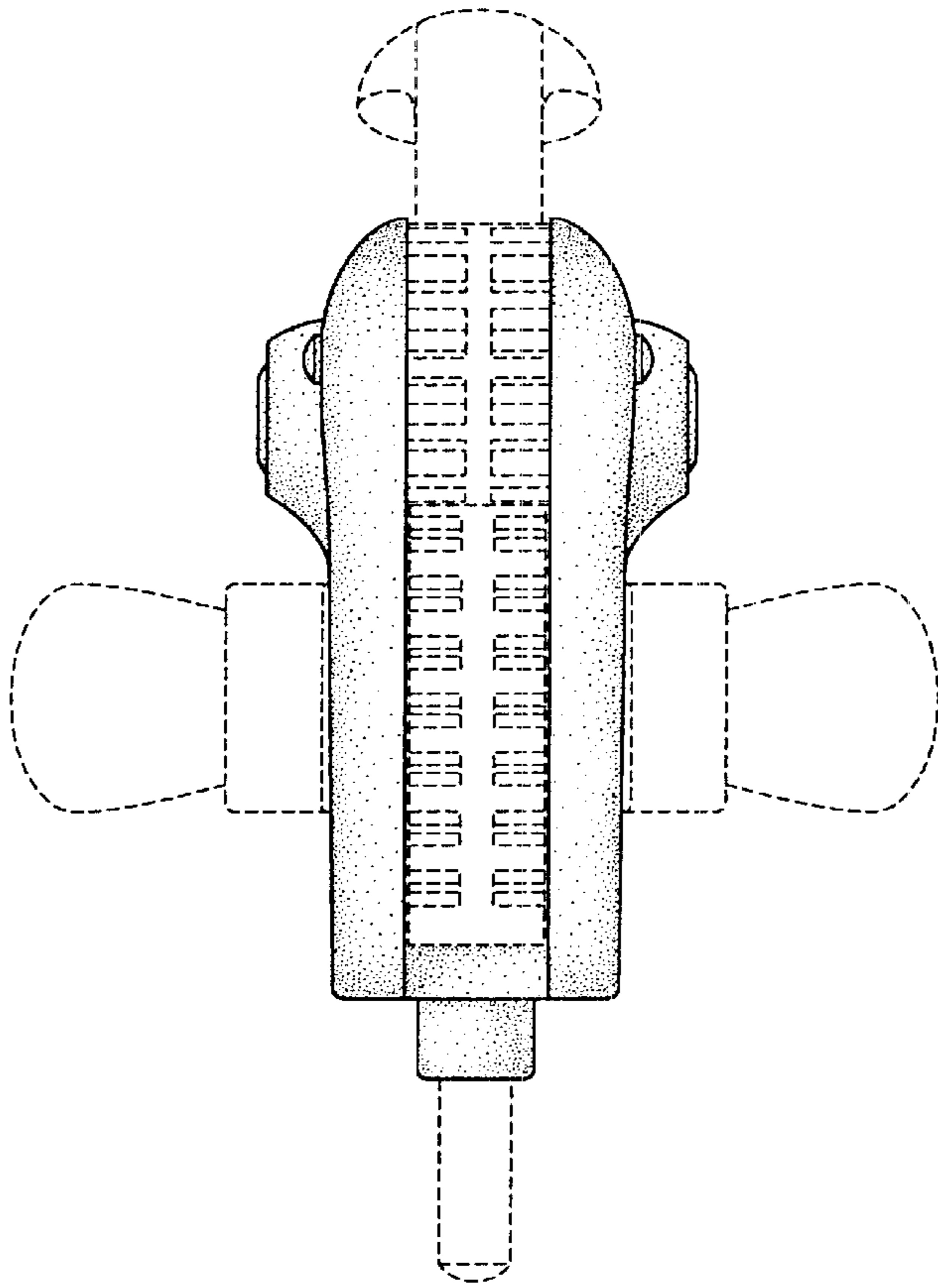
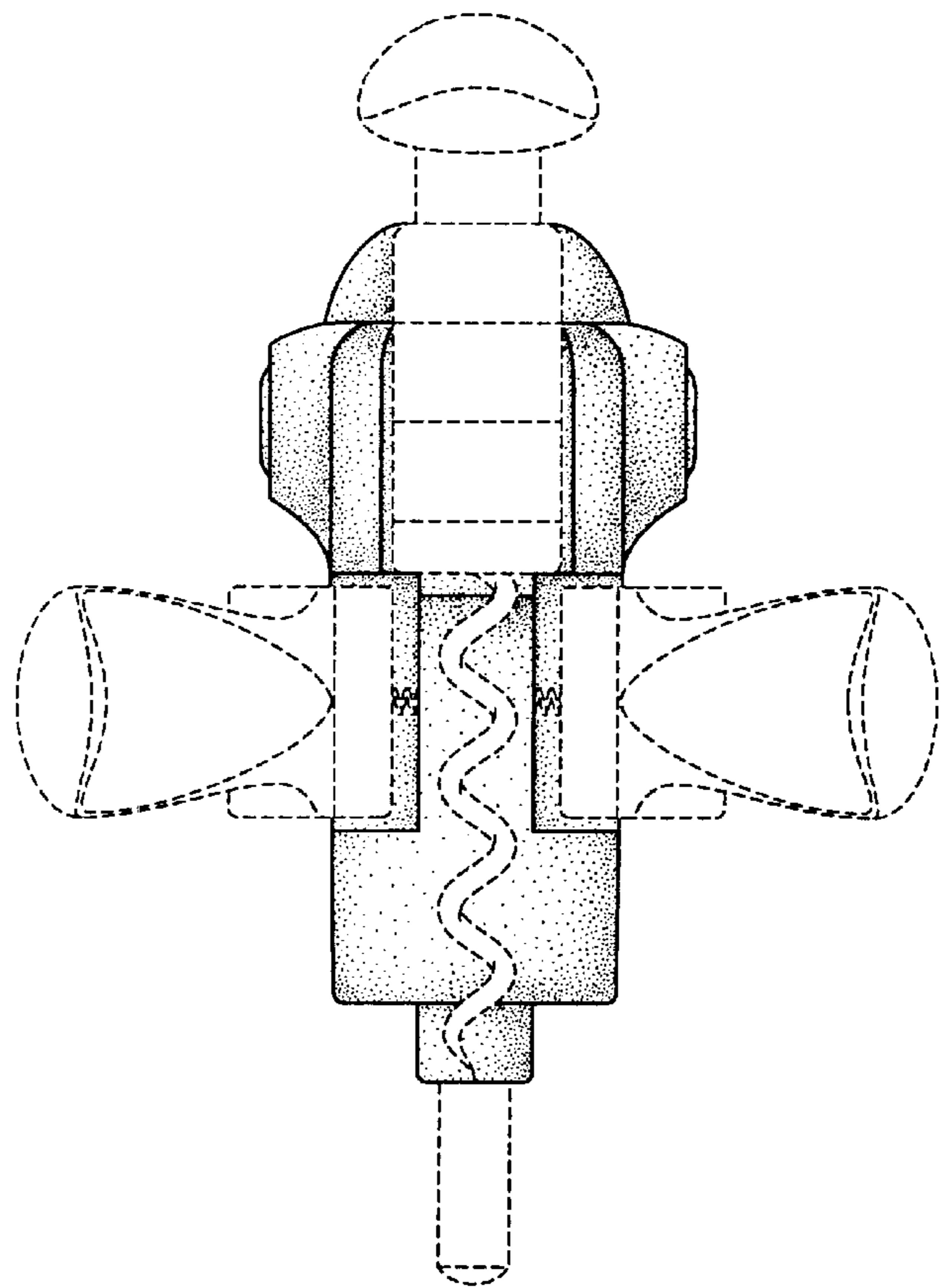


FIG. 2

FIG. 3



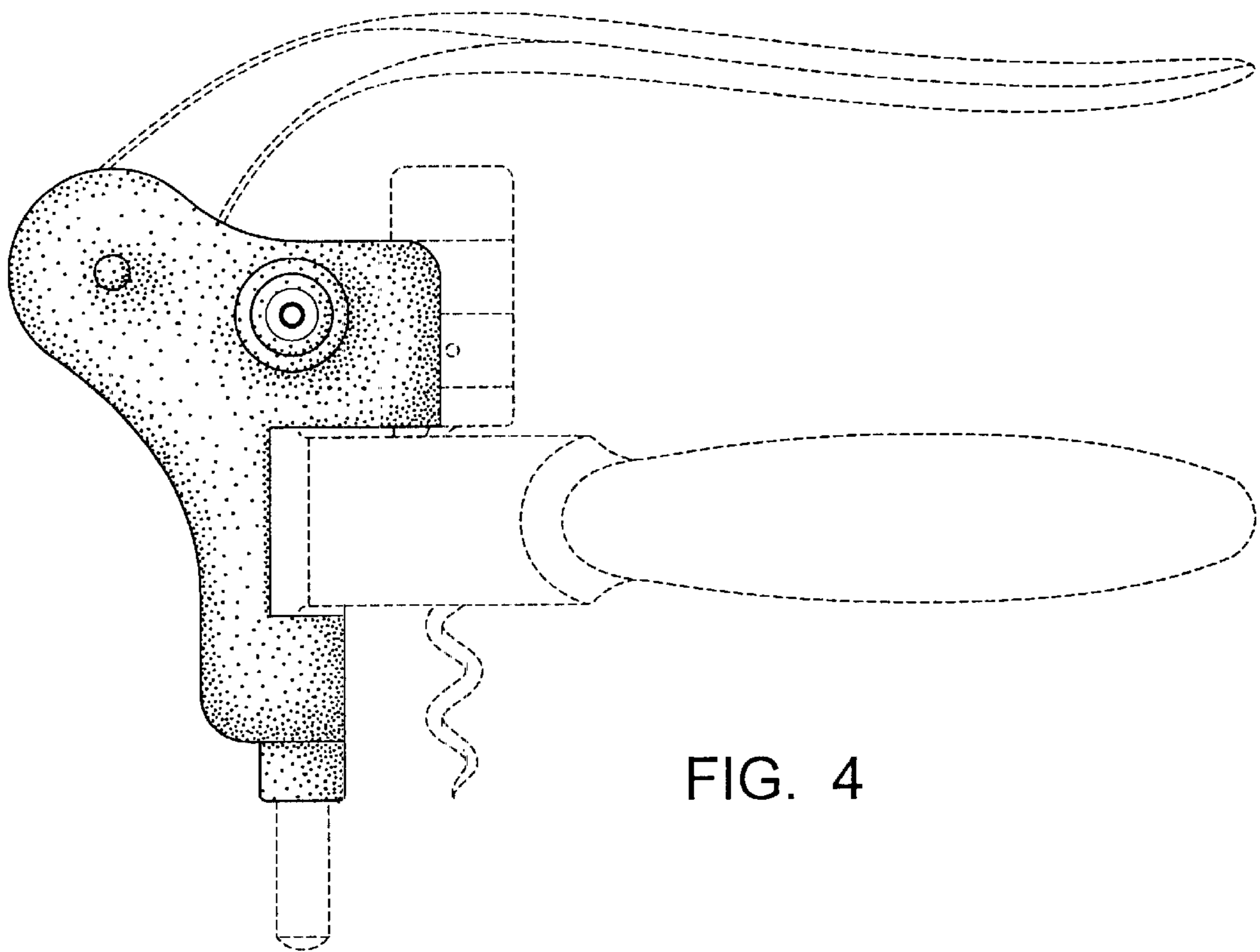


FIG. 4

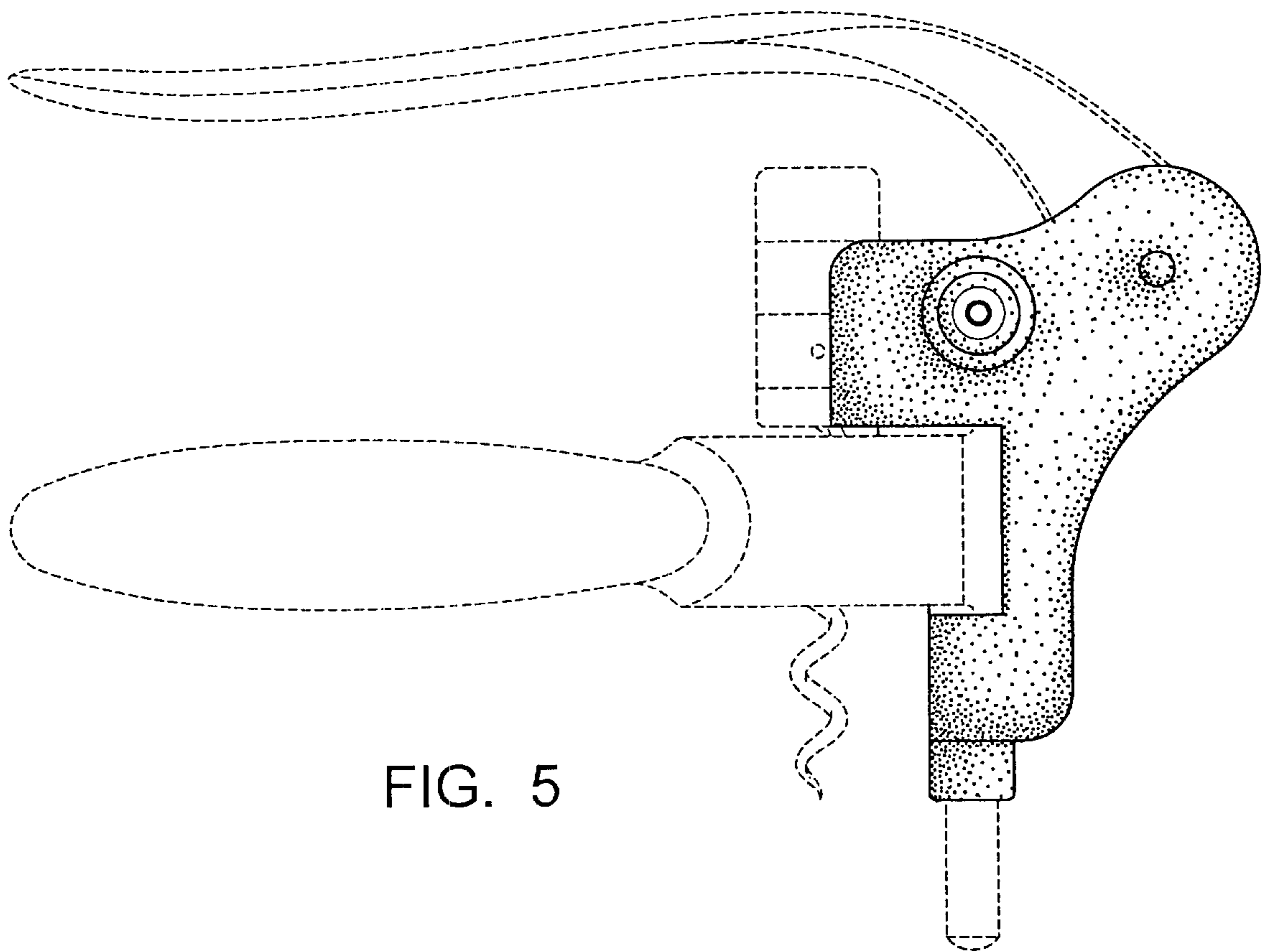


FIG. 5

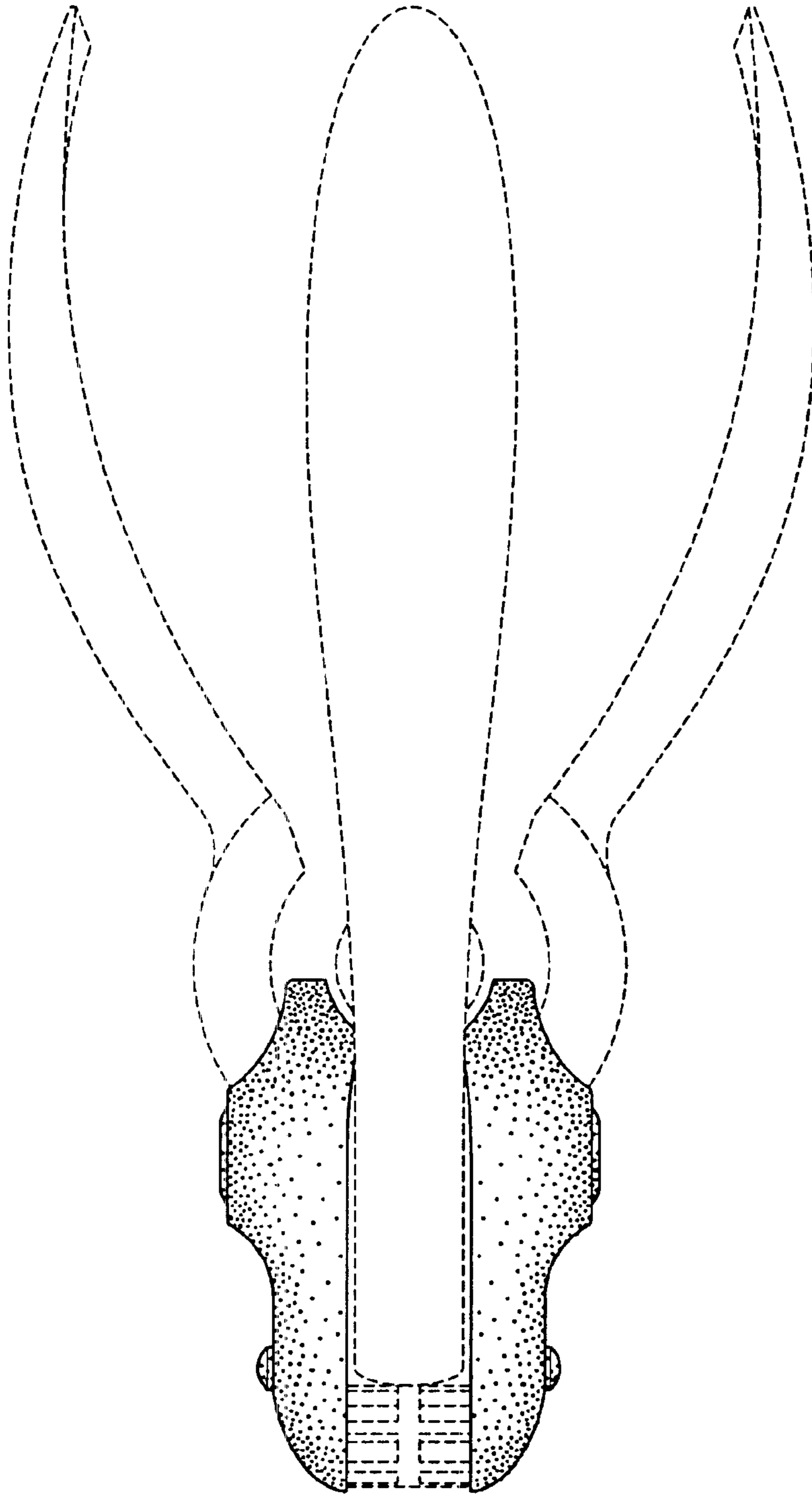


FIG. 6

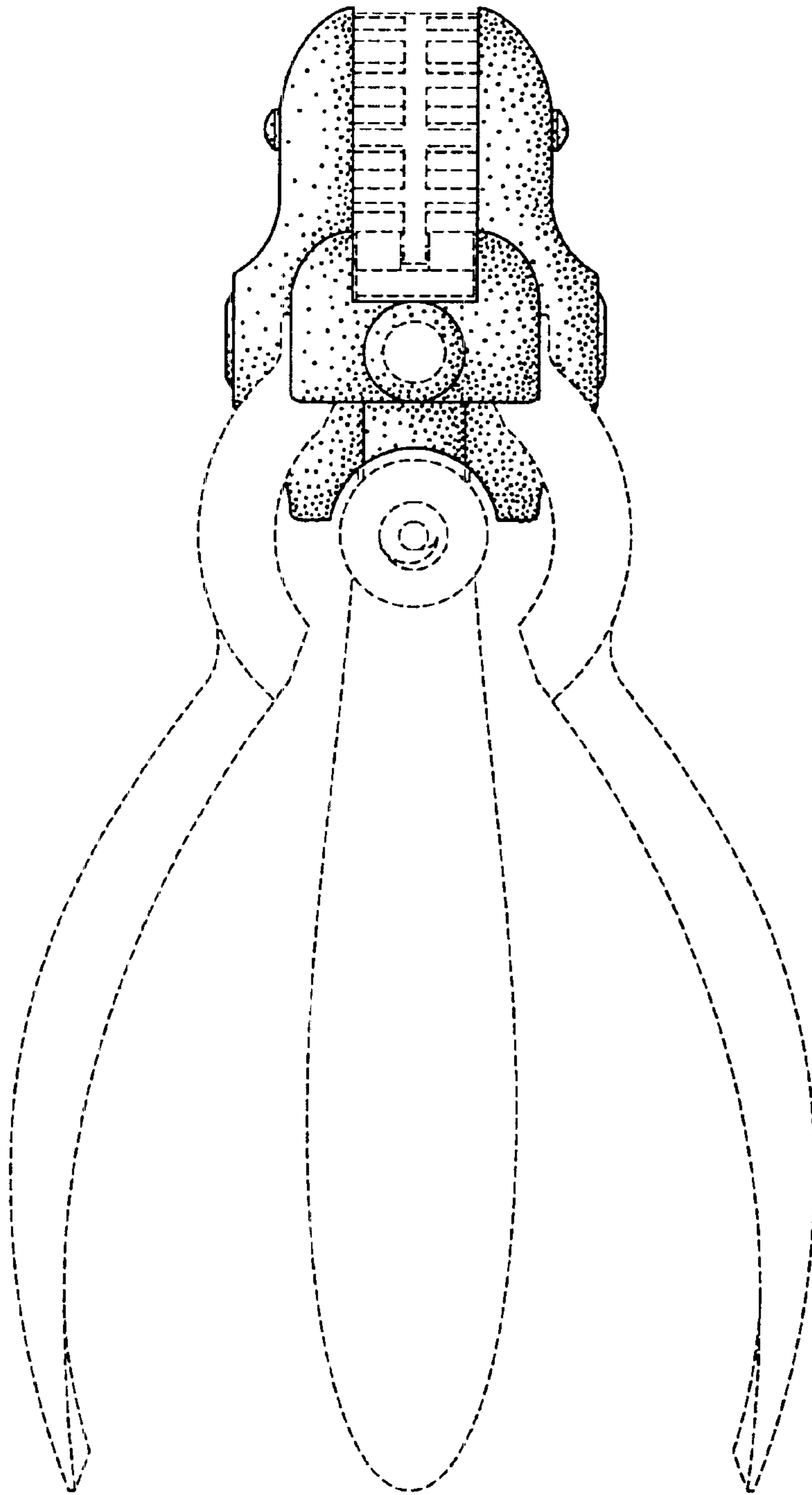


FIG. 7

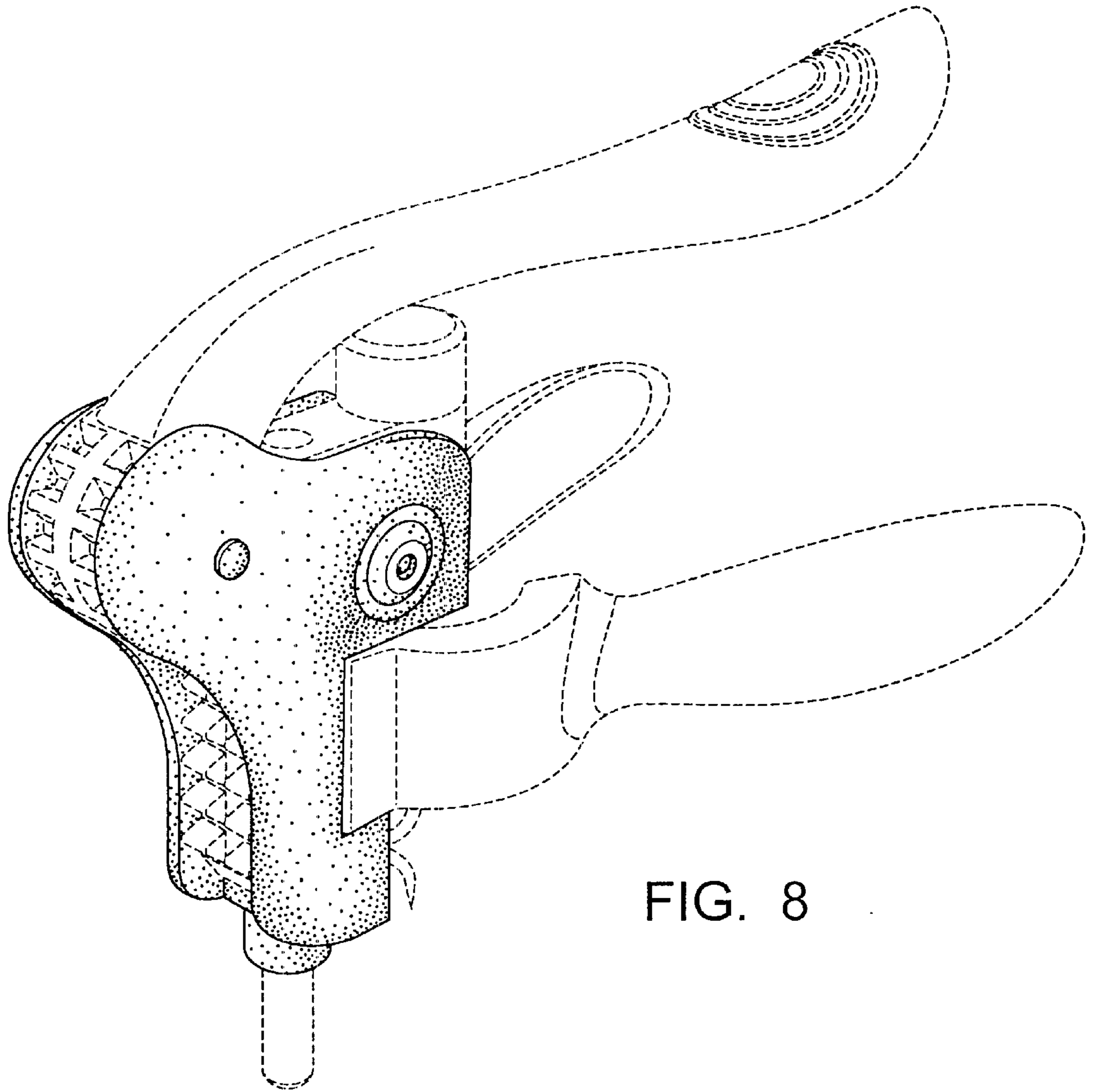


FIG. 8