



US00D464239S

(12) **United States Design Patent**
Hamlin

(10) **Patent No.:** **US D464,239 S**

(45) **Date of Patent:** **** Oct. 15, 2002**

(54) **WRENCH**

(76) **Inventor:** **Edward W. Hamlin**, 230 W. Marvin Ave., Suite 108, Longwood, FL (US) 32750

(**) **Term:** **14 Years**

(21) **Appl. No.:** **29/147,927**

(22) **Filed:** **Sep. 11, 2001**

(51) **LOC (7) Cl.** **08-05**

(52) **U.S. Cl.** **D8/27**

(58) **Field of Search** D8/19, 21-29;
81/119, 121.1, 124.2, 125, 125.1, 120, 186,
176.15, 176.2

(56) **References Cited**

U.S. PATENT DOCUMENTS

- 39,876 A * 9/1863 Bolton
- D196,608 S * 10/1963 Faille
- D215,537 S * 10/1969 Cocks

- D252,907 S * 9/1979 Poll D8/27
- D379,053 S * 5/1997 Howard D8/21
- D435,765 S * 1/2001 Owens et al. D8/28

* cited by examiner

Primary Examiner—Raphael Barkai
(74) *Attorney, Agent, or Firm*—William M. Hobby, III

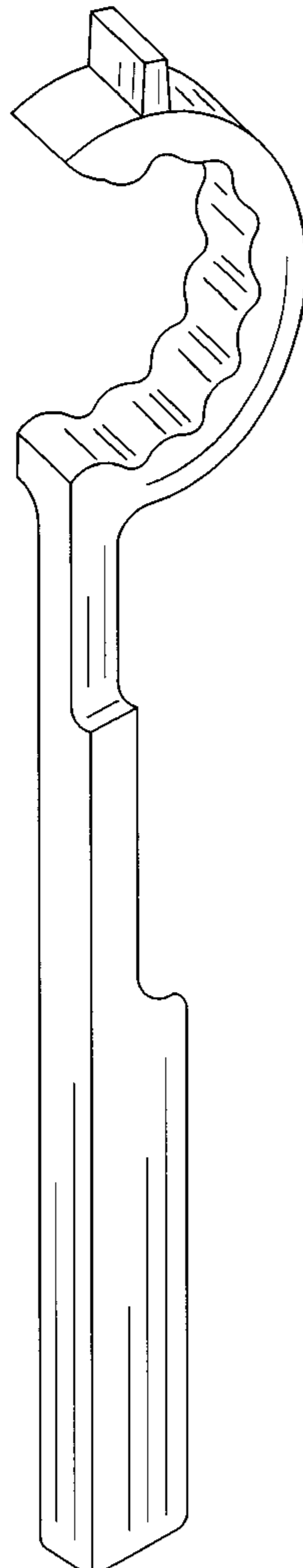
(57) **CLAIM**

The ornamental design for a wrench, as shown and described.

DESCRIPTION

FIG. 1 is a rear right side perspective view of my new wrench;
FIG. 2 is a left side elevation;
FIG. 3 is a right side elevation;
FIG. 4 is a rear side elevation;
FIG. 5 is a front side elevation;
FIG. 6 is a top plan view; and,
FIG. 7 is a bottom plan view.

1 Claim, 2 Drawing Sheets



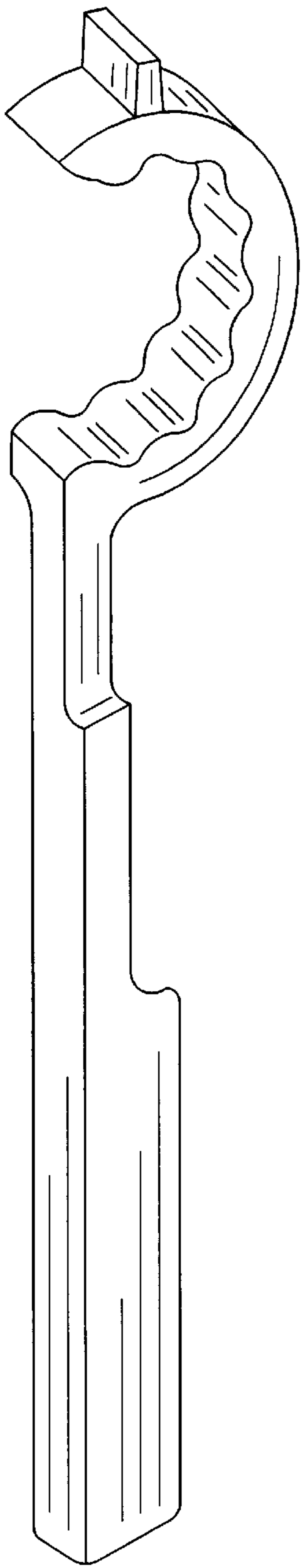


FIG. 1

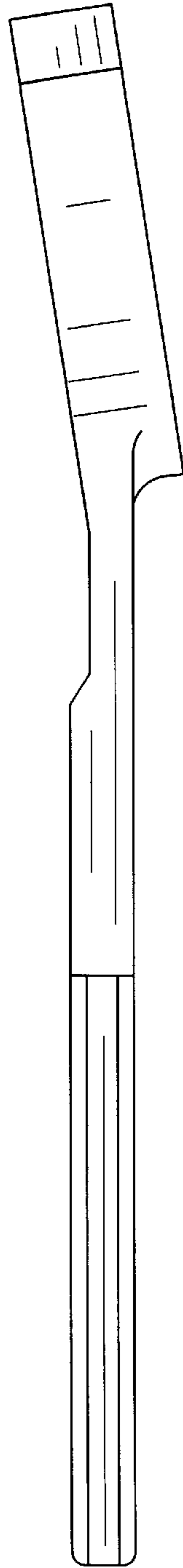


FIG. 2

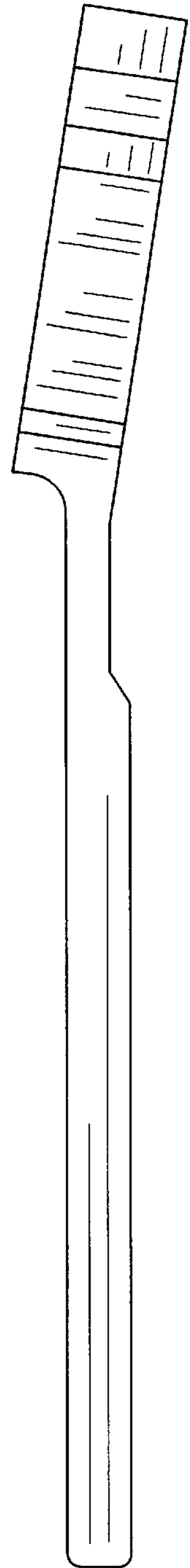


FIG. 3

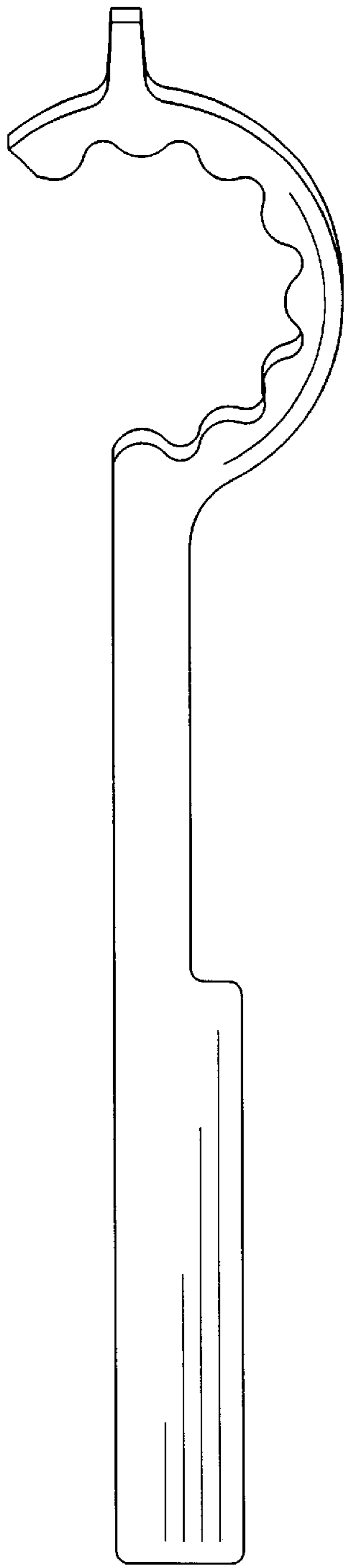


FIG. 4

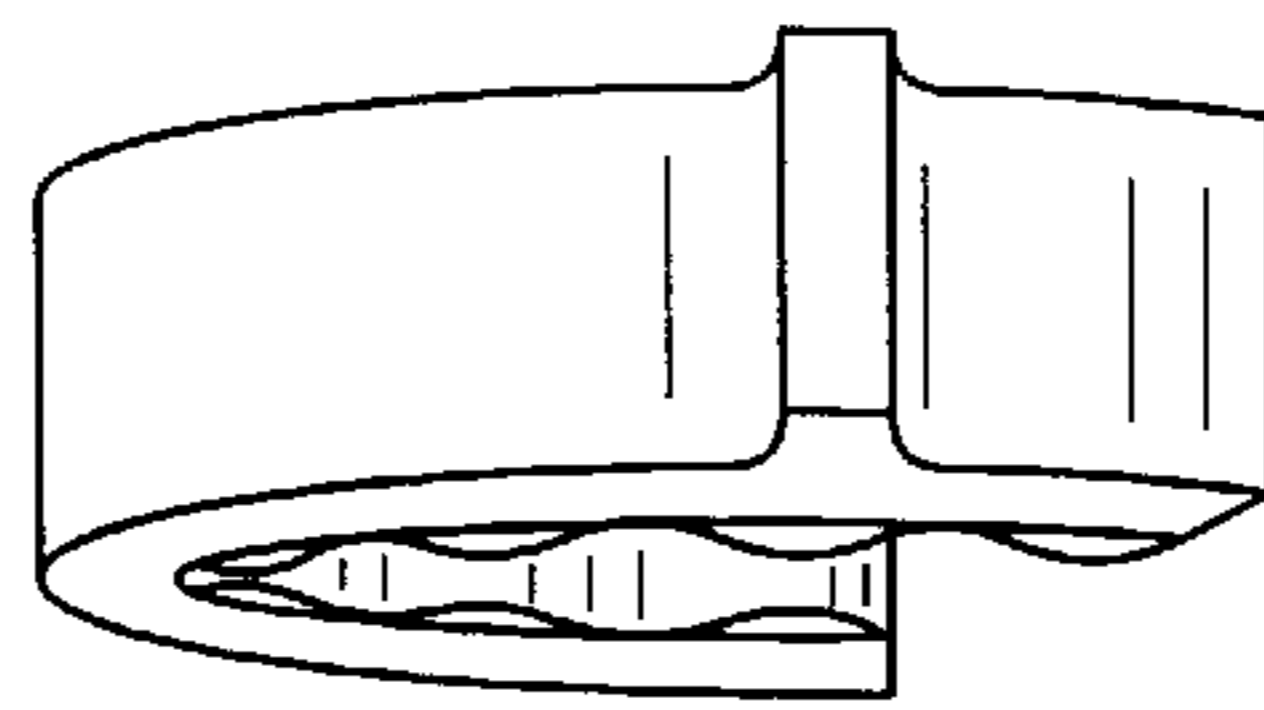


FIG. 6

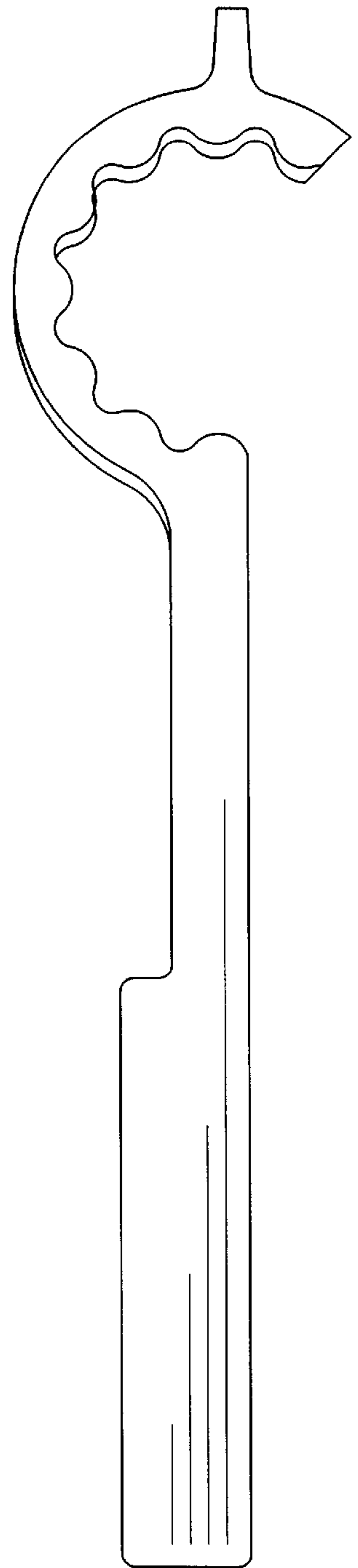


FIG. 5

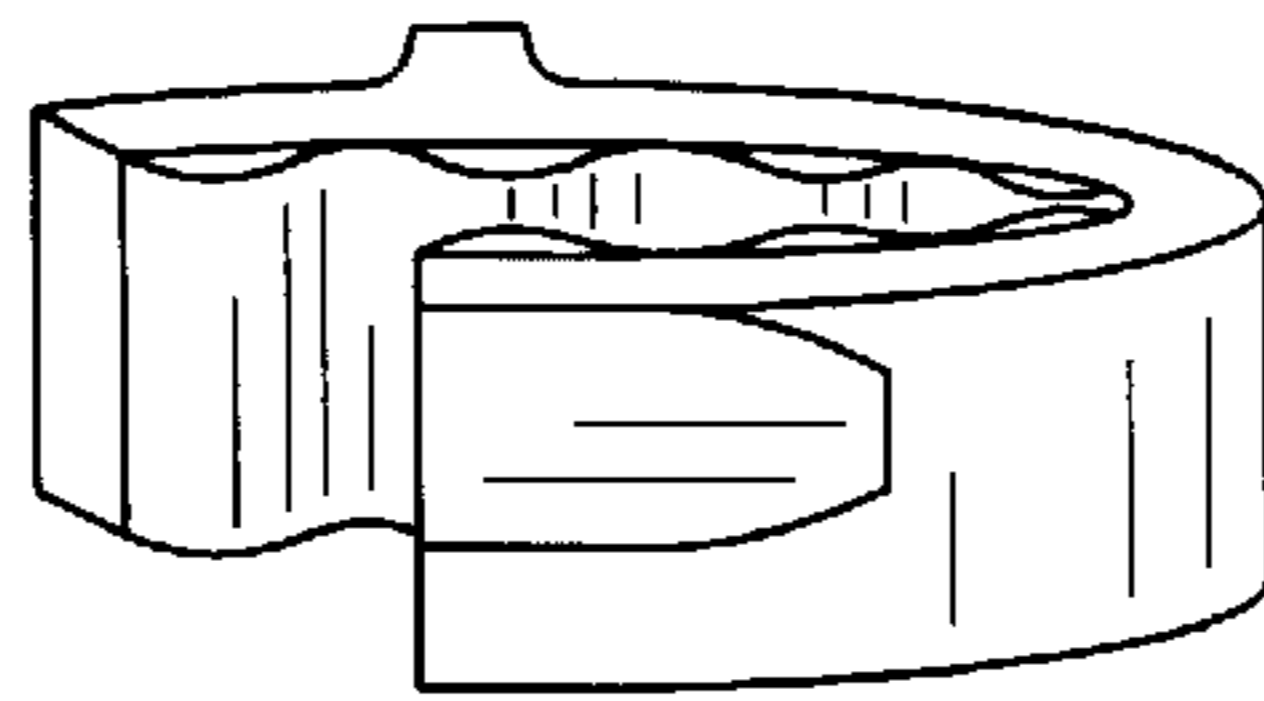


FIG. 7