



US00D464238S

(12) **United States Design Patent**  
**Kelly-Lindsey et al.**

(10) **Patent No.:** **US D464,238 S**

(45) **Date of Patent:** **\*\* Oct. 15, 2002**

(54) **PANEL INSTALLATION TOOL**

(76) Inventors: **Jamille Kelly-Lindsey**, 3633  
Maplewood, SW., Canton, OH (US)  
44708; **Ronald C. Grygo**, 3633  
Maplewood, SW., Canton, OH (US)  
44708

(\*\*) **Term:** **14 Years**

(21) **Appl. No.:** **29/154,032**

(22) **Filed:** **Jan. 14, 2002**

**Related U.S. Application Data**

(63) Continuation of application No. 29/145,440, filed on Jul. 23, 2001, now abandoned.

(51) **LOC (7) Cl.** ..... **08-05**

(52) **U.S. Cl.** ..... **D8/16**

(58) **Field of Search** ..... D8/14, 16, 19,  
D8/349, 354, 356, 383, 395; D25/119, 120,  
121, 122, 123, 124, 125; 24/49.1, 66.8,  
66.13, 289, 293, 295, 455, 458, 72.5, 485,  
530, 531, 532, 541, 545, 552, 562, 563,  
581.1; 33/187, 64.7, 646, DIG. 20; 52/720.1,  
730.4, 731.2, 732.1; 248/74.2, 214; 269/43,  
904; D11/215

(56) **References Cited**

**U.S. PATENT DOCUMENTS**

2,150,497 A \* 3/1939 Fernberg ..... 24/458  
2,291,219 A \* 7/1942 Fontecilla ..... 24/545  
2,295,685 A \* 9/1942 Place ..... 24/458  
2,796,624 A 6/1957 Speer  
D220,257 S \* 3/1971 Schooler ..... D25/121

3,789,564 A 2/1974 Kessler  
3,938,295 A 2/1976 Tate  
3,978,554 A \* 9/1976 Miller, Jr. .... 24/458  
D247,216 S \* 2/1978 Mathews ..... D8/356  
4,279,396 A \* 7/1981 Bendock ..... 24/530  
4,745,650 A 5/1988 Elliott  
D322,389 S \* 12/1991 Harmon ..... D8/371  
D324,345 S \* 3/1992 Demoulpied et al. .... D10/64  
5,104,094 A 4/1992 Womack  
5,405,651 A 4/1995 Western  
D366,410 S \* 1/1996 Schlabach ..... D25/121  
5,814,842 A \* 9/1998 Muldoon et al. .... 254/131  
5,921,058 A 7/1999 Brooker  
D418,616 S \* 1/2000 Smith, Jr. .... D25/119  
D425,127 S \* 5/2000 Mackey ..... D8/395  
6,131,361 A 10/2000 Murphy

\* cited by examiner

*Primary Examiner*—Doris V. Coles

*Assistant Examiner*—Elizabeth A. Albert

(74) *Attorney, Agent, or Firm*—Sand & Sebolt

(57) **CLAIM**

The ornamental design for panel installation tool, as shown and described.

**DESCRIPTION**

FIG. 1 is a perspective view of the panel installation tool showing our new design.

FIG. 2 is a top plan view of FIG. 1.

FIG. 3 is a bottom plan view of FIG. 1.

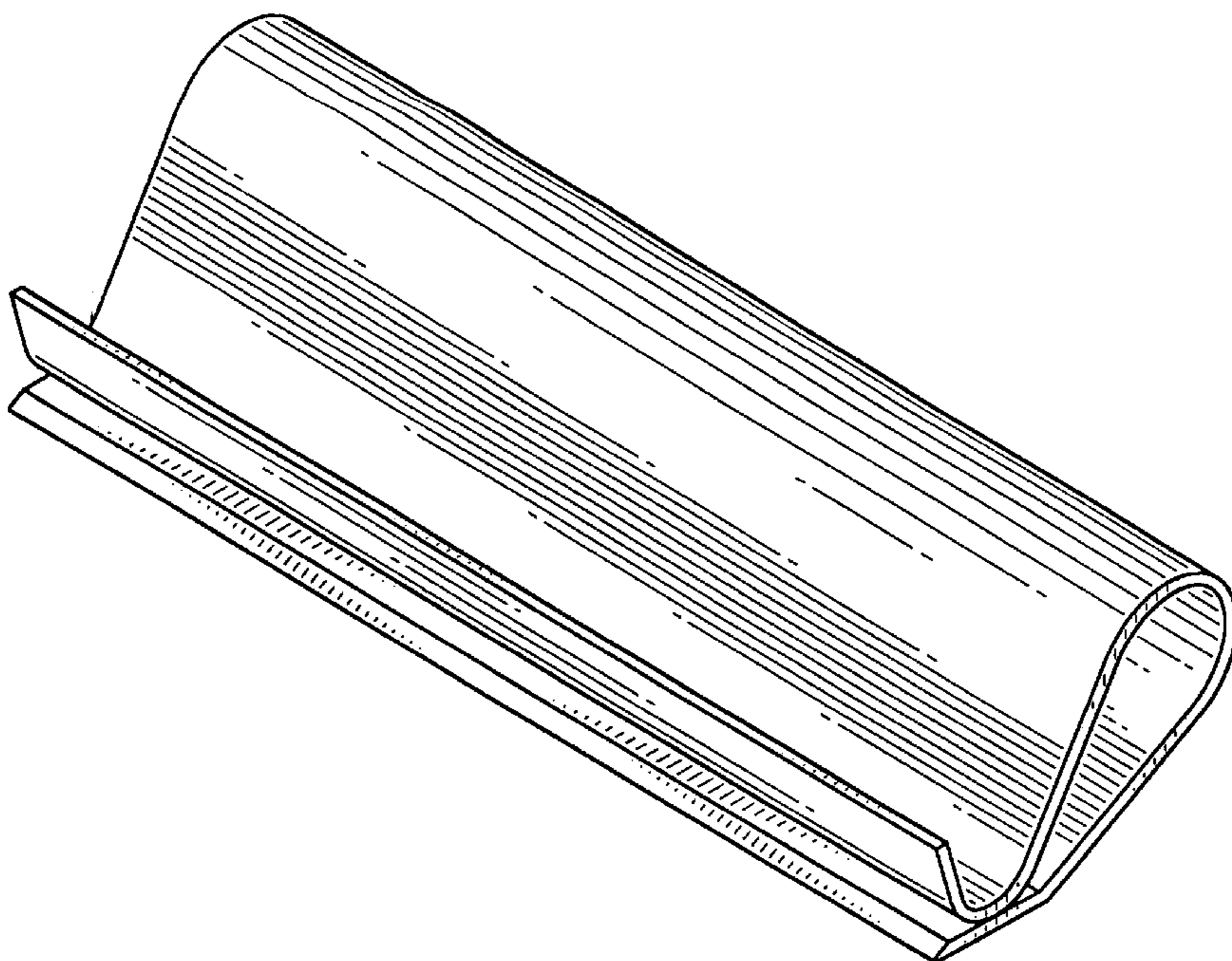
FIG. 4 is a front elevation view of FIG. 1.

FIG. 5 is a rear elevation view of FIG. 1.

FIG. 6 is a left side elevation view of FIG. 1; and,

FIG. 7 is a right side elevation view of FIG. 1.

**1 Claim, 2 Drawing Sheets**



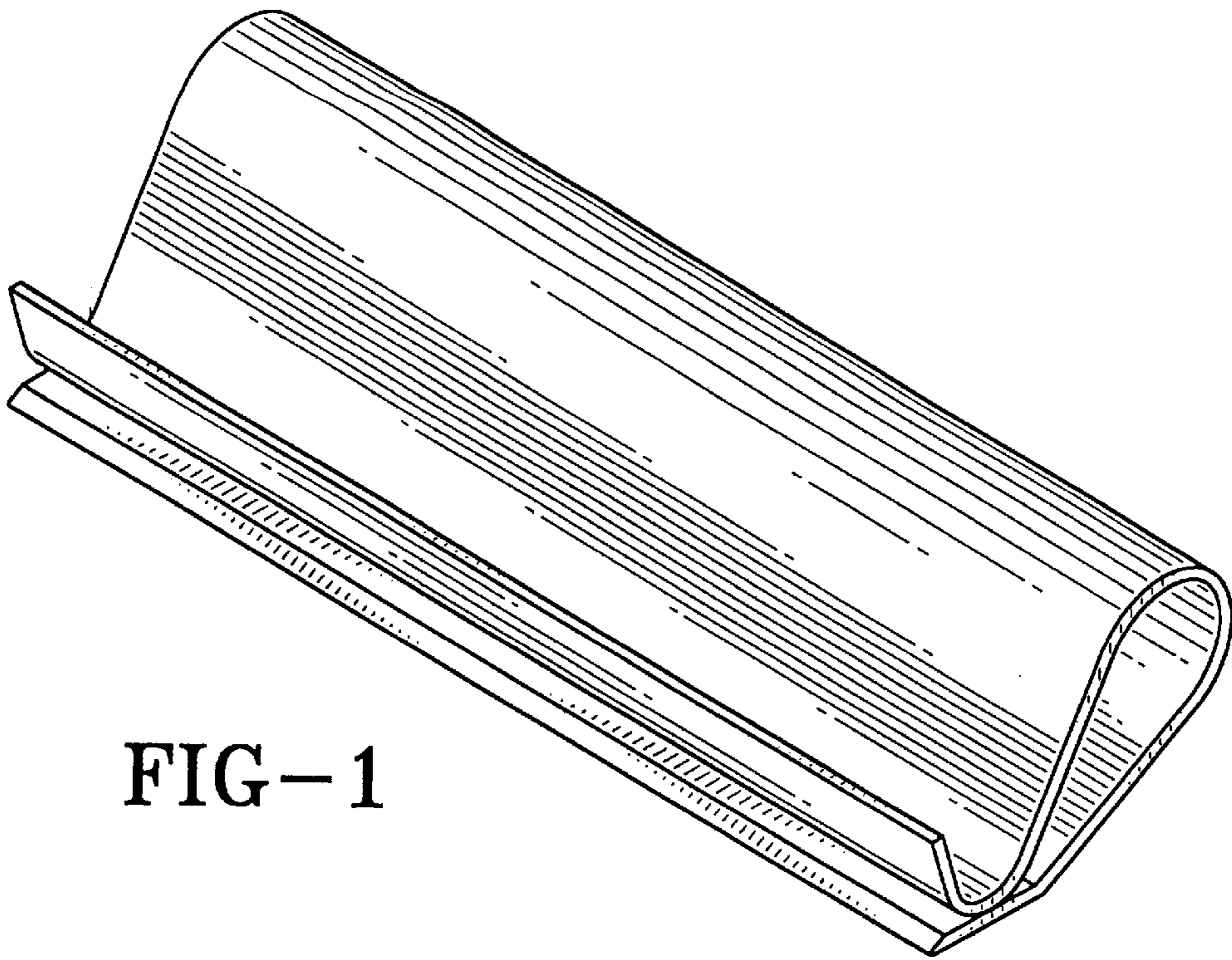


FIG-1

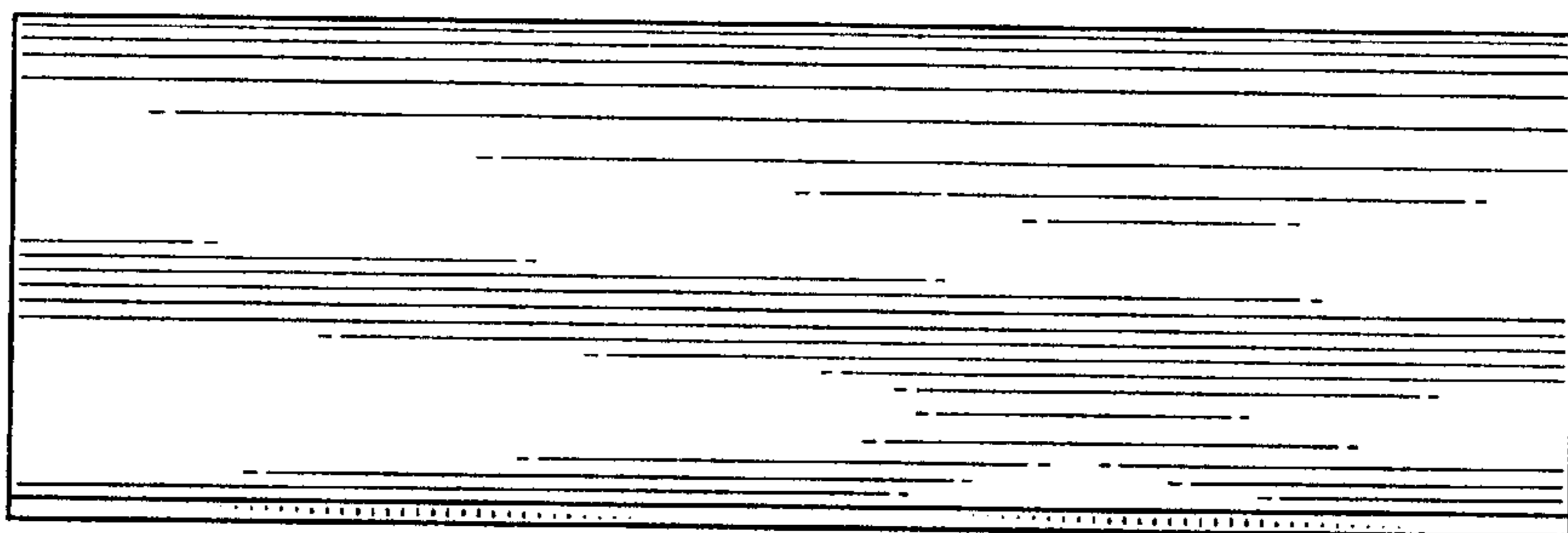


FIG-2

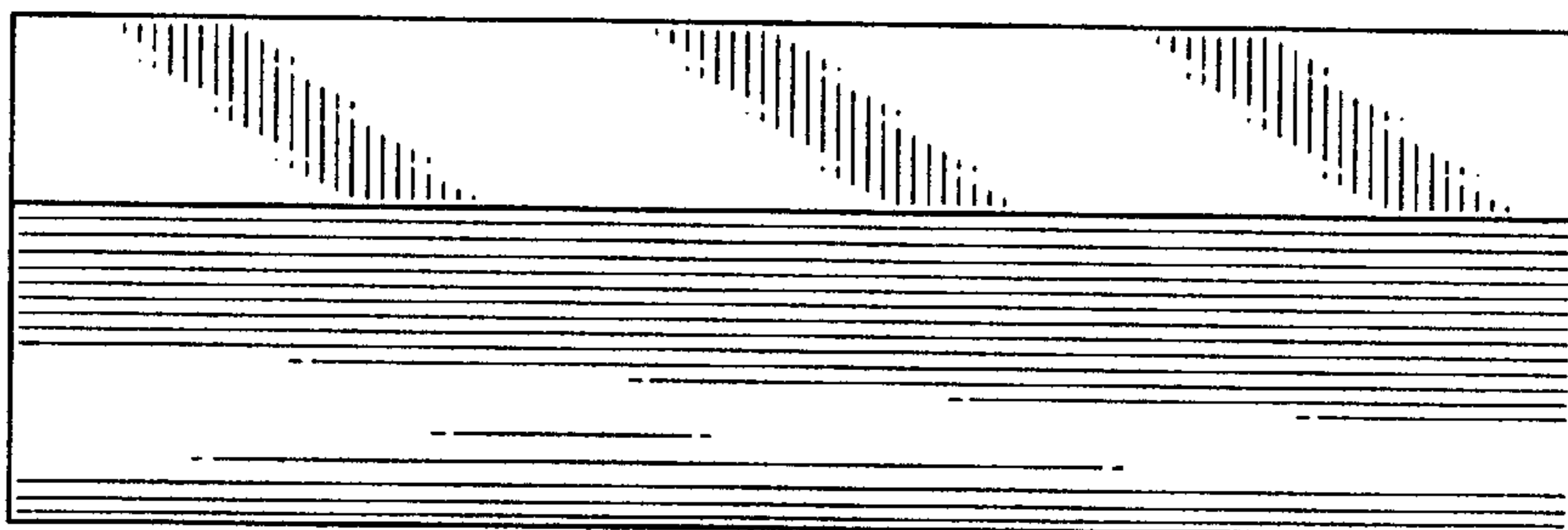


FIG-3

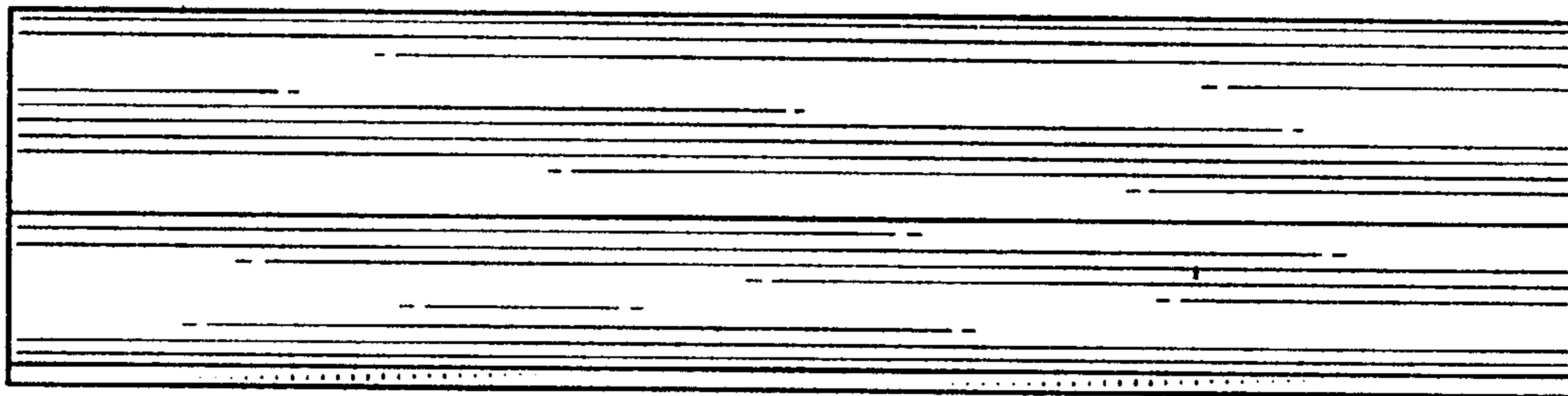


FIG-4

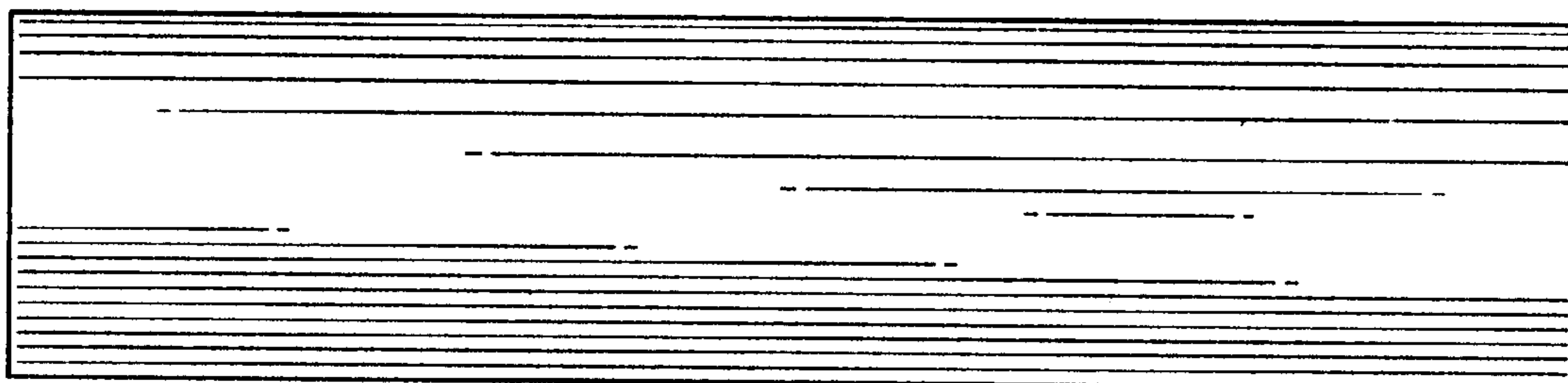


FIG-5

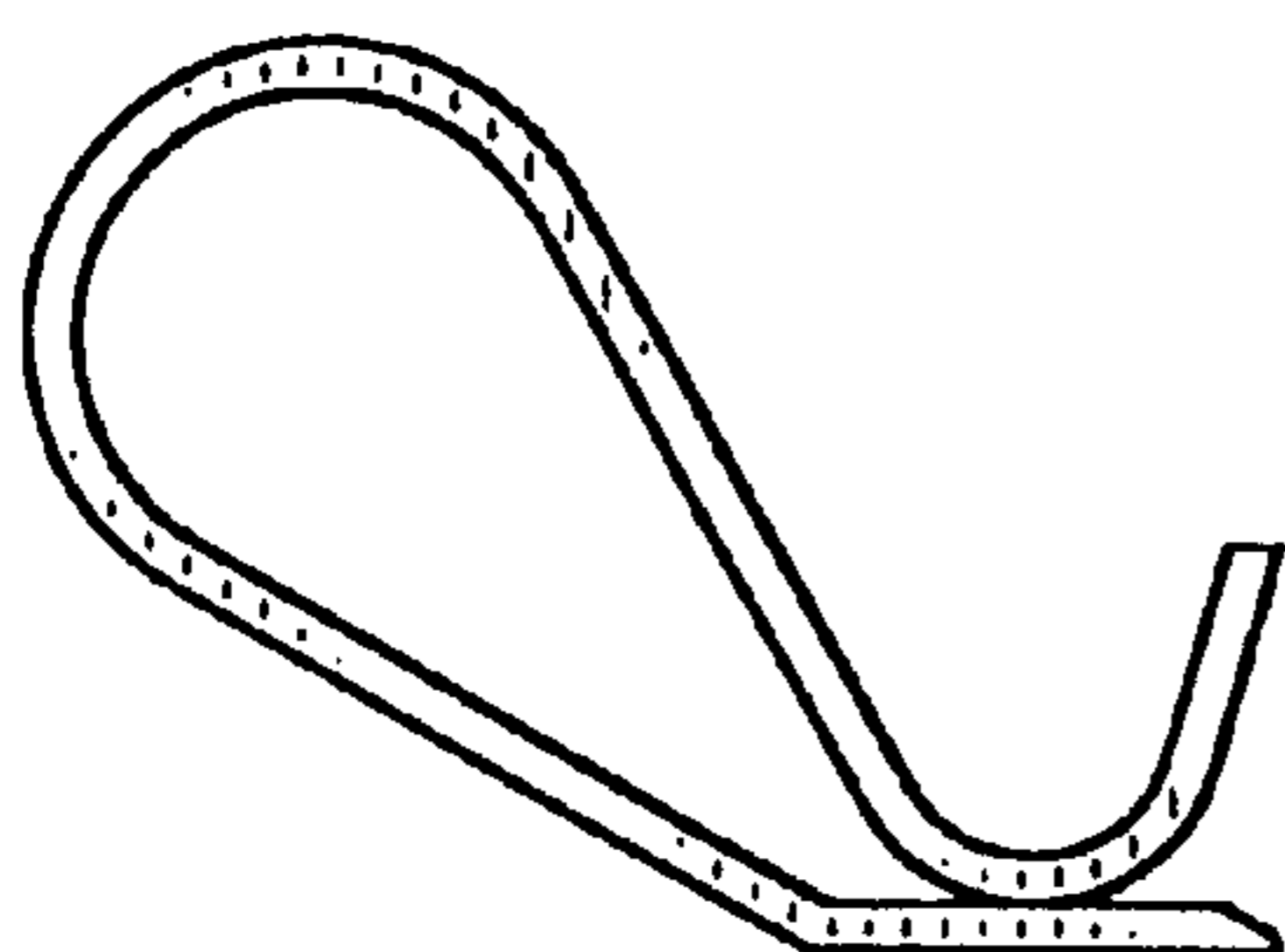


FIG-6

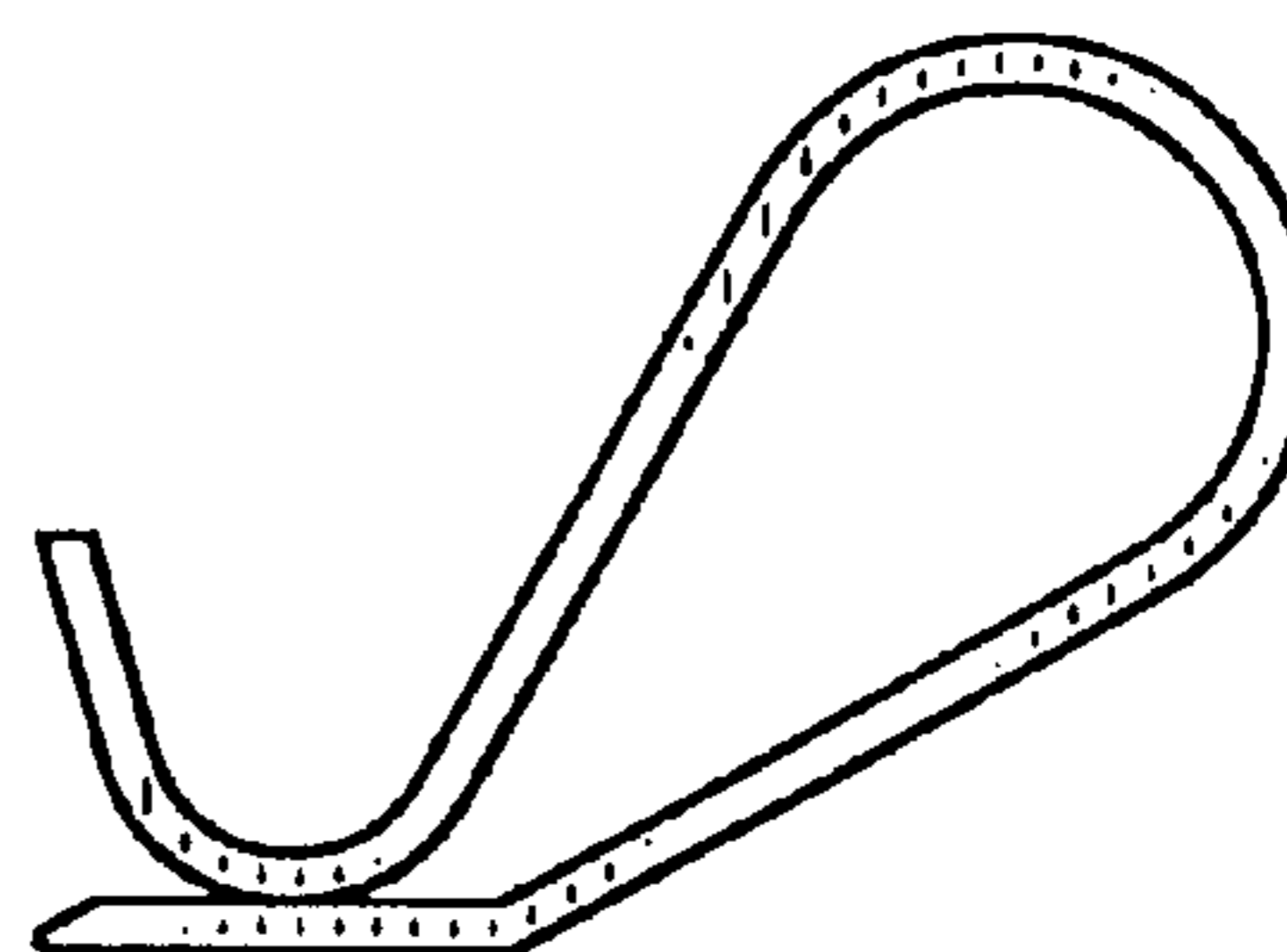


FIG-7