



US00D464237S

(12) **United States Design Patent**
Kaposi

(10) **Patent No.:** **US D464,237 S**

(45) **Date of Patent:** **** Oct. 15, 2002**

(54) **CUTTING BOARD**

(75) **Inventor:** **Sascha Kaposi, Seattle, WA (US)**

(73) **Assignee:** **Progressive International Corp., Kent, WA (US)**

(**) **Term:** **14 Years**

(21) **Appl. No.:** **29/152,461**

(22) **Filed:** **Dec. 18, 2001**

(51) **LOC (7) Cl.** **07-04**

(52) **U.S. Cl.** **D7/698**

(58) **Field of Search** **D7/698, 667; 269/13-15, 269/289 R, 291, 297, 298, 302.1, 298 MR, 315**

(56) **References Cited**

U.S. PATENT DOCUMENTS

- D314,891 S * 2/1991 Sata D7/698
- 5,527,022 A * 6/1996 Gibson 269/13
- D382,445 S * 8/1997 Indekeu D7/698 X
- D390,072 S * 2/1998 Miller D7/698

D414,661 S * 10/1999 Tardif D7/698

D416,768 S * 11/1999 Lisser et al. D7/698

D424,891 S * 5/2000 Kaposi D7/698

D434,953 S * 12/2000 Yu D7/698

* cited by examiner

Primary Examiner—Caron D. Veynar

(74) *Attorney, Agent, or Firm*—Black Lowe & Graham PLLC

(57) **CLAIM**

The ornamental design for a cutting board, as shown and described.

DESCRIPTION

FIG. 1 is an isometric view of a cutting board showing my new design;

FIG. 2 is a left side view which is substantially a mirror image of the right side view;

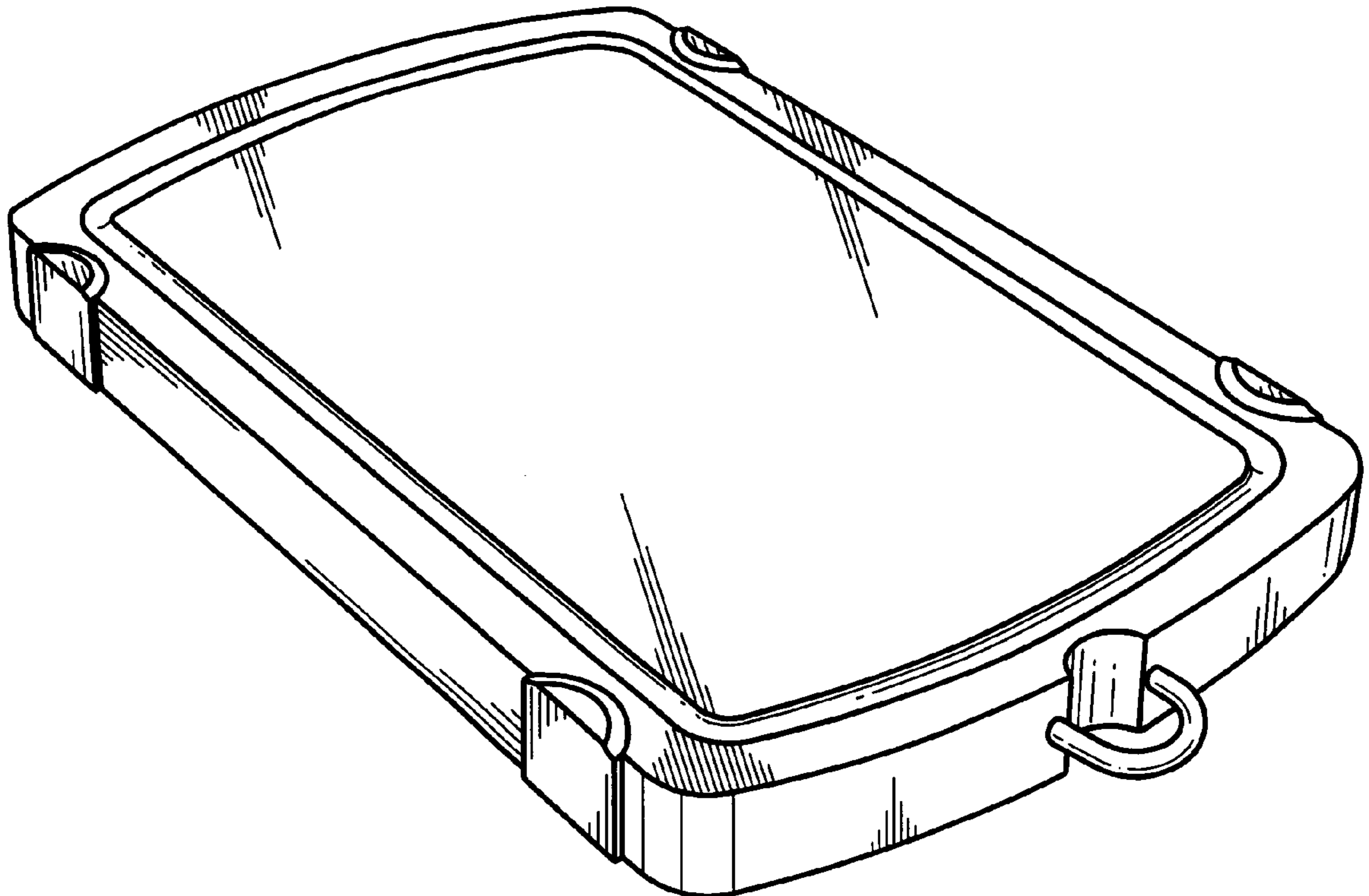
FIG. 3 is a rear elevation view;

FIG. 4 is a front elevation view;

FIG. 5 is a top plan view; and,

FIG. 6 is a bottom plan view.

1 Claim, 2 Drawing Sheets



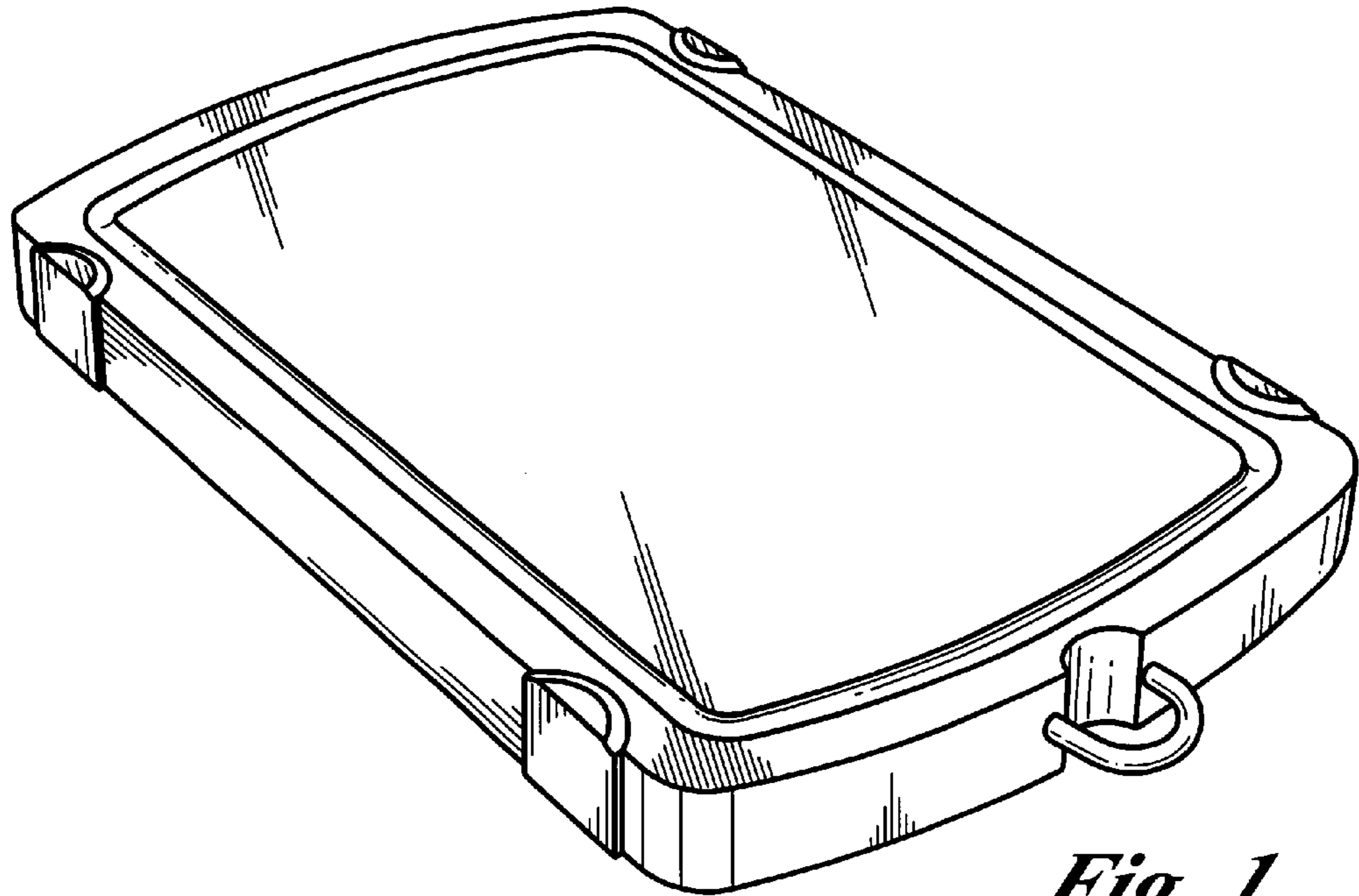


Fig. 1.

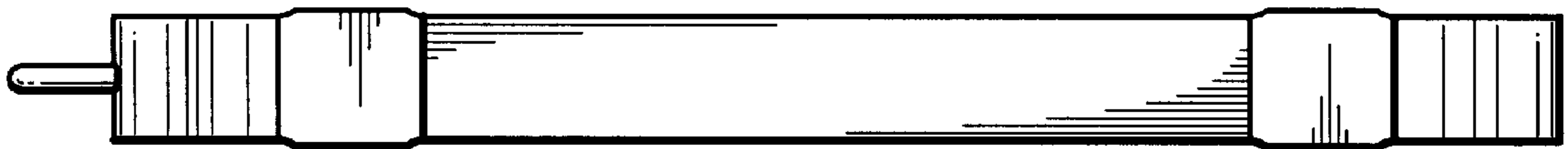


Fig. 2.

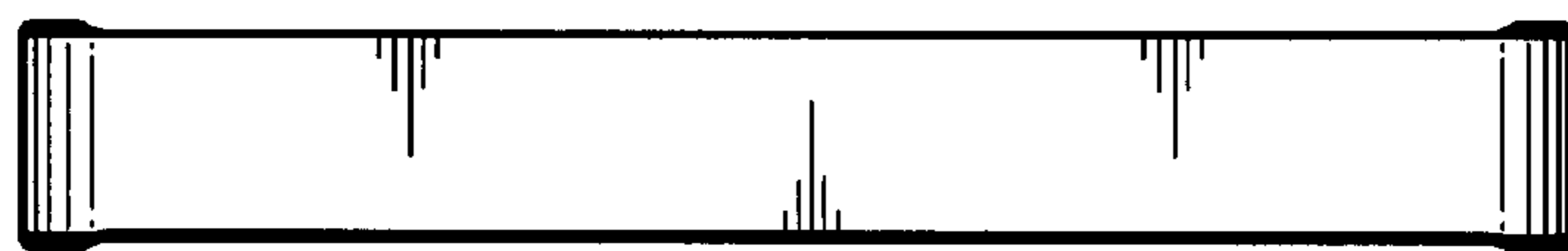


Fig. 3.



Fig. 4.

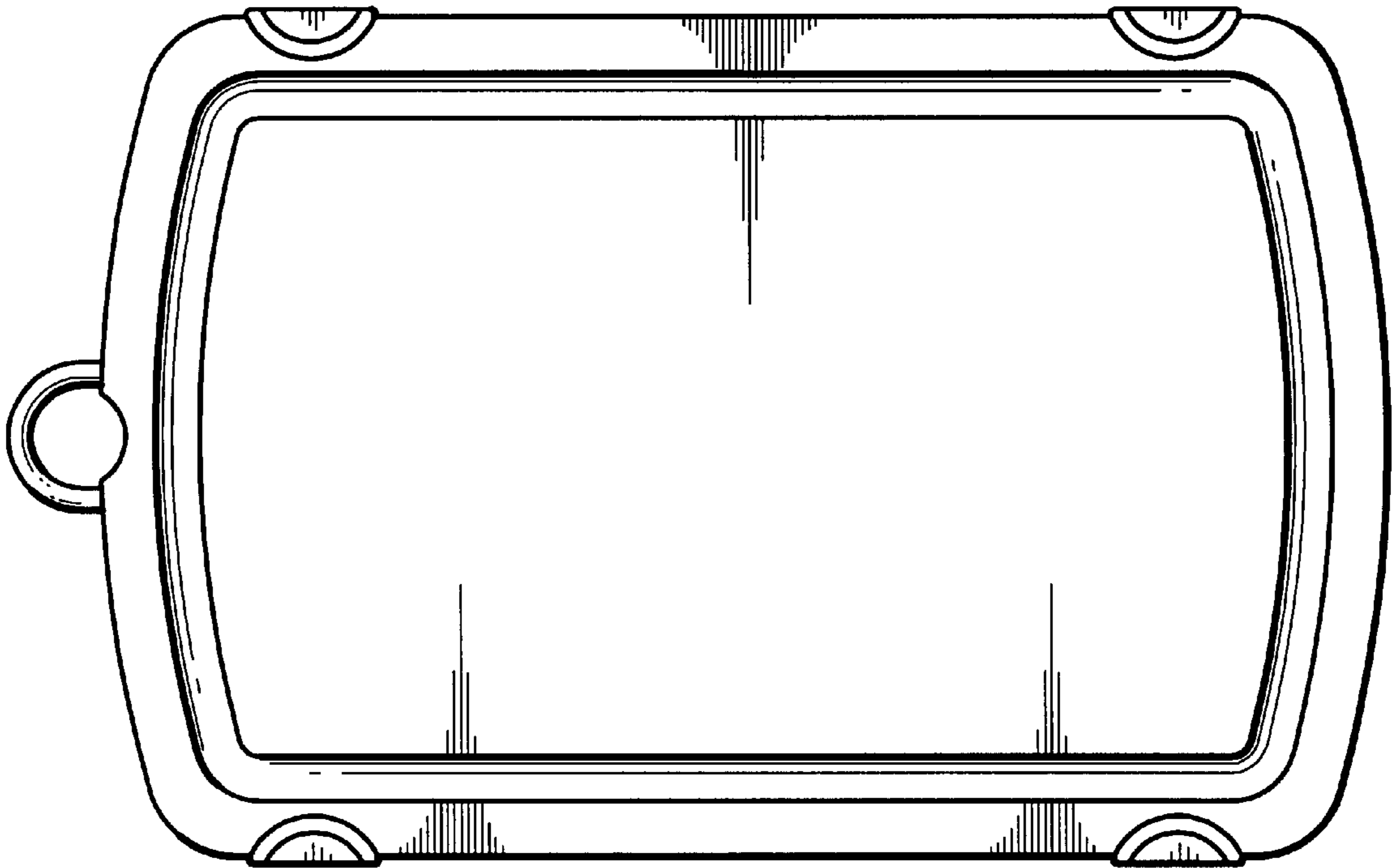


Fig. 5.

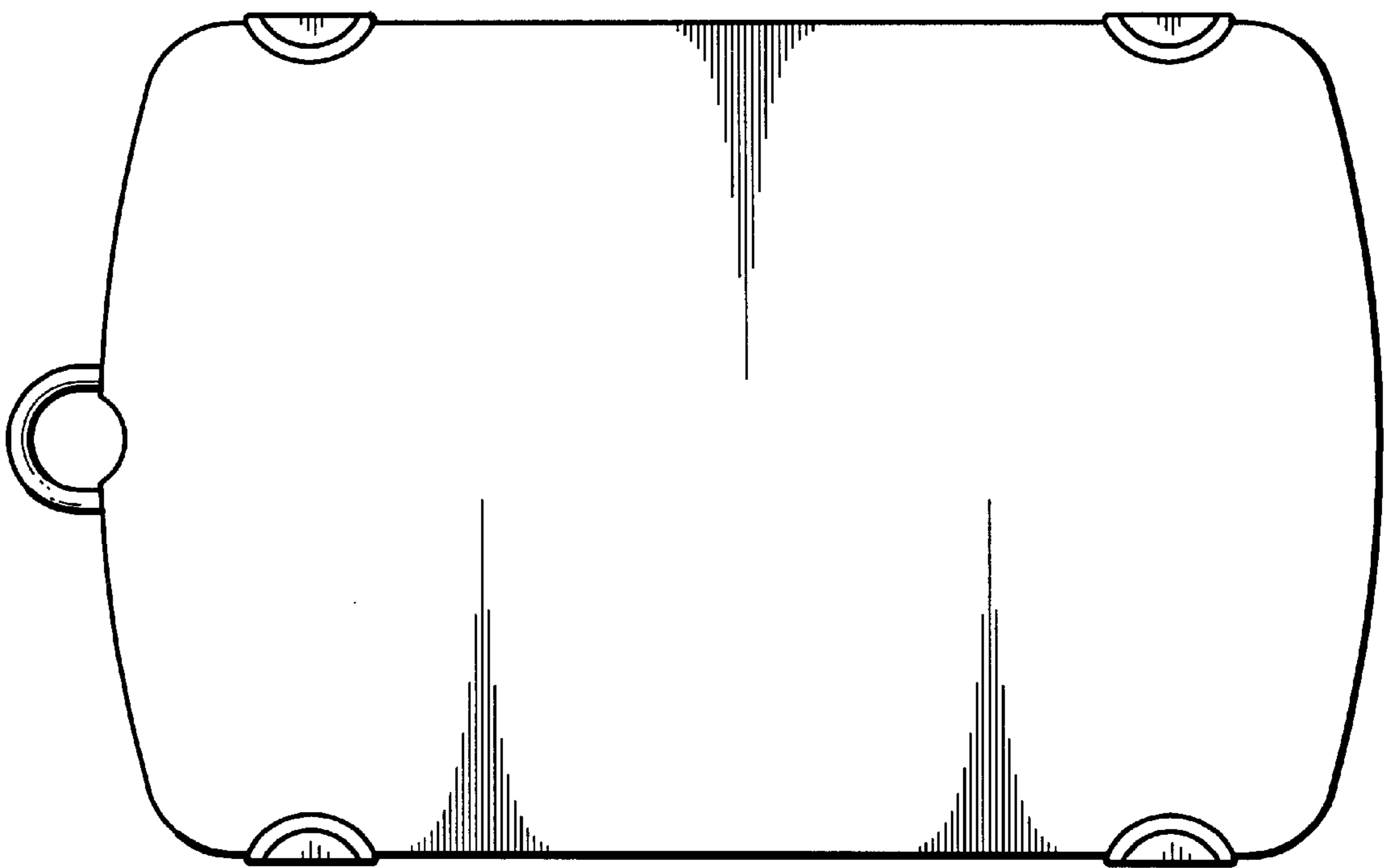


Fig. 6.