

US00D464234S

(12) **United States Design Patent**  
**Miller**

(10) **Patent No.:** **US D464,234 S**

(45) **Date of Patent:** **\*\* Oct. 15, 2002**

(54) **CUP WITH NECKED HANDLE**  
(75) Inventor: **D. Scott Miller**, Orlando, FL (US)  
(73) Assignee: **Dart Industries Inc.**, Orlando, FL (US)  
(\*\*) Term: **14 Years**

(21) Appl. No.: **29/138,970**  
(22) Filed: **Mar. 22, 2001**

(51) **LOC (7) Cl.** ..... **07-01**  
(52) **U.S. Cl.** ..... **D7/536; D7/533**  
(58) **Field of Search** ..... **D7/536, 533, 509,**  
**D7/523, 534, 535; 220/736, 23.8, 501,**  
**738, 719, 695, 711, 696, 256, 710.5, 630,**  
**737; 215/396, 10; 210/474; 206/520; 219/432;**  
**62/457.3**

(56) **References Cited**  
**U.S. PATENT DOCUMENTS**  
D102,350 S \* 12/1936 Bayreuther ..... D7/536  
2,427,487 A 9/1947 Alexander  
D167,917 S \* 10/1952 Wagner ..... D7/536  
2,770,956 A \* 9/1956 Achtziger ..... 215/10  
D184,518 S \* 3/1959 Folley ..... D7/536  
2,876,634 A \* 3/1959 Zimmerman ..... 62/457.3  
D224,623 S \* 8/1972 Ketcham et al. .... D7/536  
D290,435 S 6/1987 Manton

D320,718 S \* 10/1991 Unger ..... D7/536  
D322,538 S \* 12/1991 Unger ..... D7/536  
D325,148 S \* 4/1992 Unger ..... D7/536  
5,323,928 A 6/1994 Stevens  
D409,446 S 5/1999 St. John et al. .... D7/536  
D420,551 S \* 2/2000 Cornelissen ..... D7/536  
D441,610 S \* 5/2001 Indekeu ..... D7/536  
D444,674 S \* 7/2001 Allen ..... D7/514  
D455,646 S \* 7/2001 Indekeu ..... D7/536

\* cited by examiner

*Primary Examiner*—M. N. Pandozzi  
(74) *Attorney, Agent, or Firm*—Taylor J. Ross

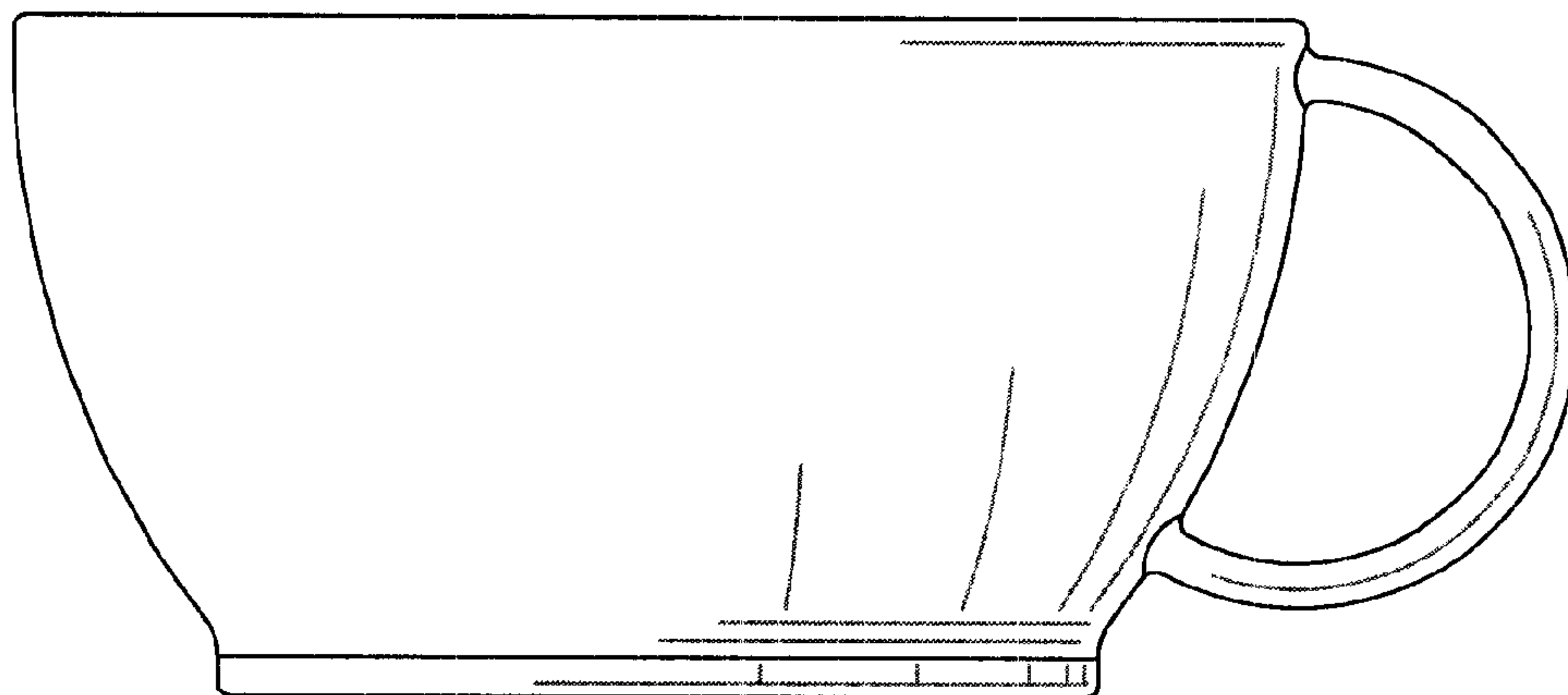
(57) **CLAIM**

The ornamental design for a cup with necked handle, as shown and described.

**DESCRIPTION**

FIG. 1 is a top, side and front perspective view of a cup with necked handle showing the new design;  
FIG. 2 is a left side elevation view thereof;  
FIG. 3 is a right side elevation view thereof;  
FIG. 4 is a front elevation view thereof;  
FIG. 5 is a rear elevation view thereof;  
FIG. 6 is a top plan view thereof; and,  
FIG. 7 is a bottom plan view thereof.

**1 Claim, 2 Drawing Sheets**



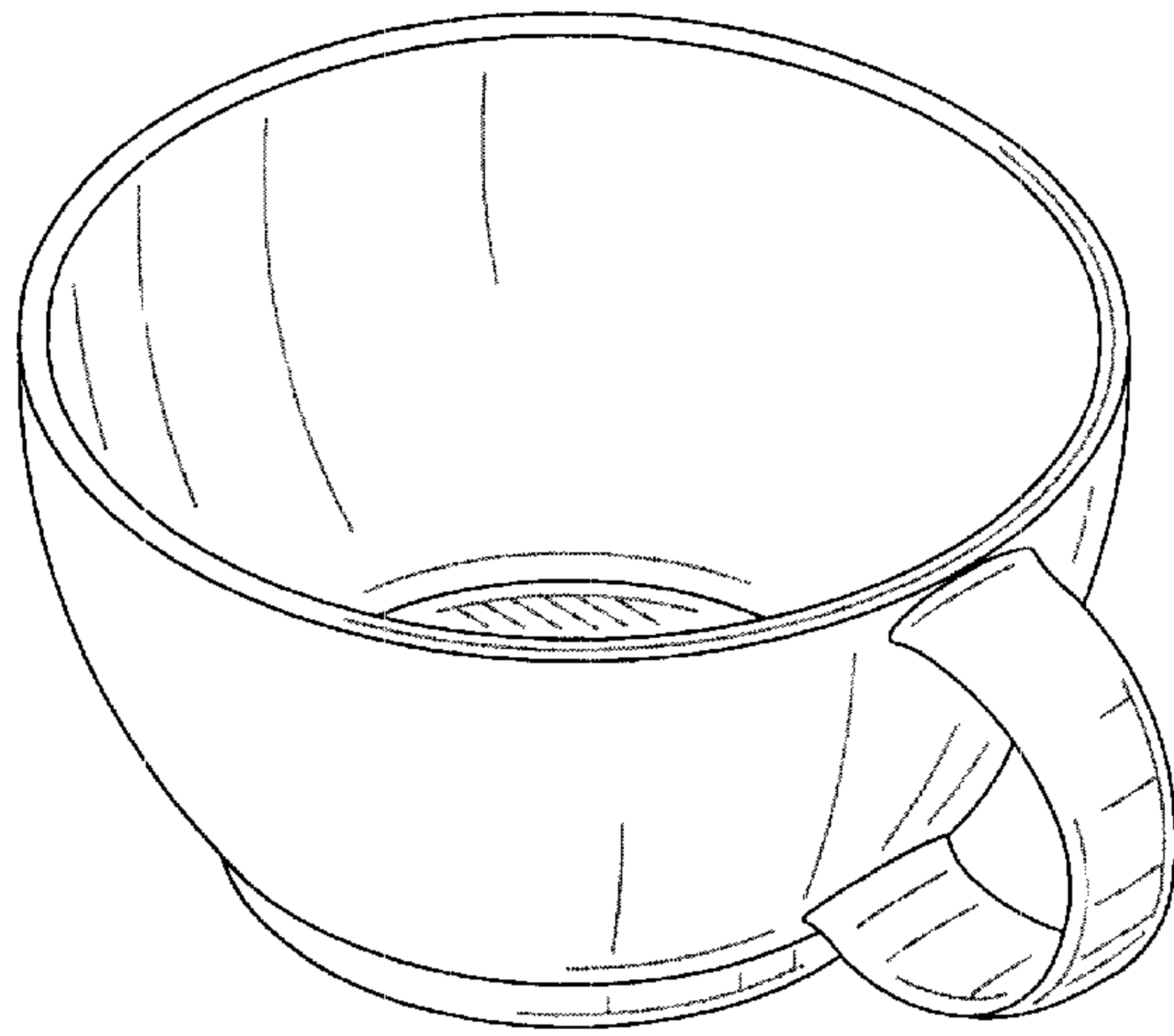


FIG. 1

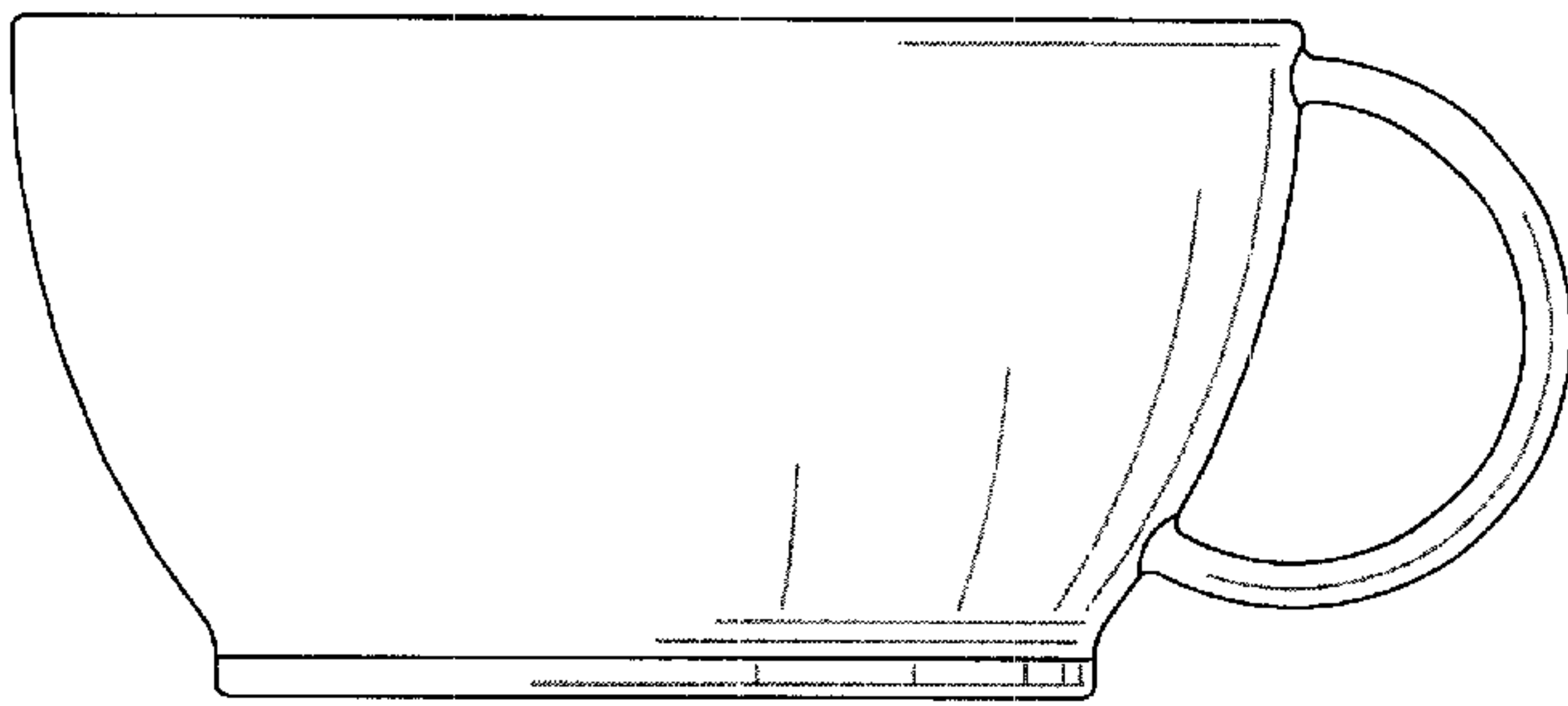


FIG. 2

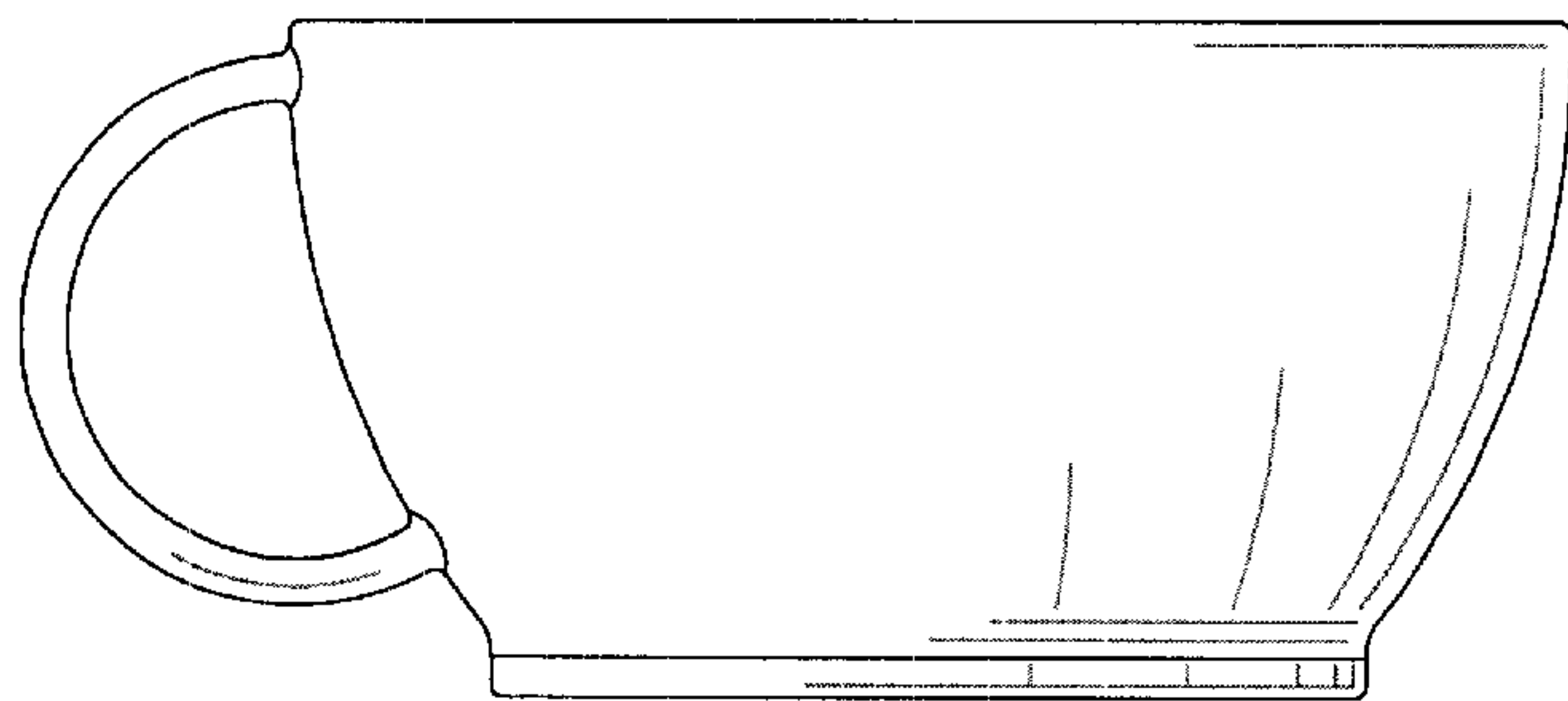


FIG. 3

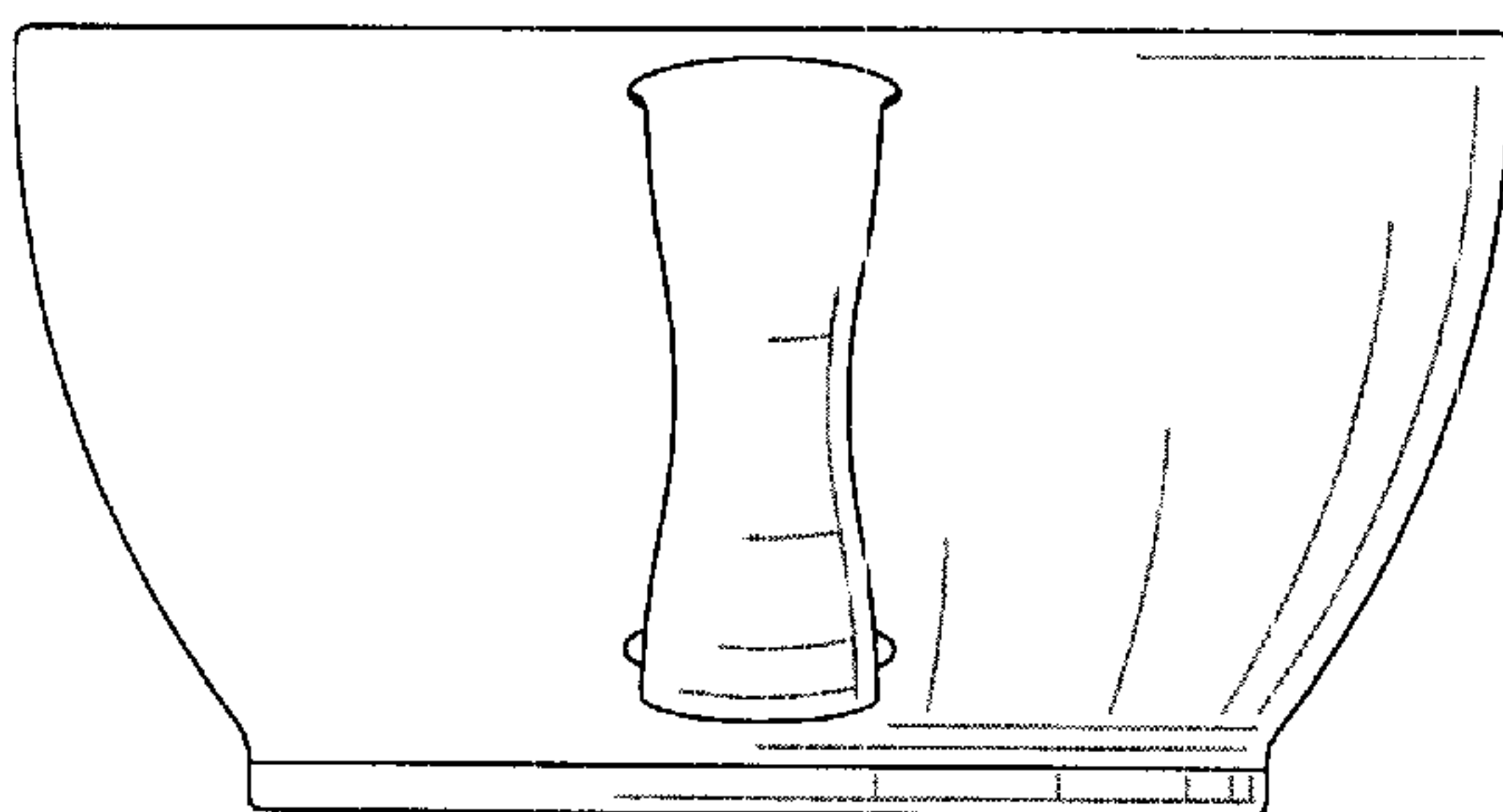


FIG. 4

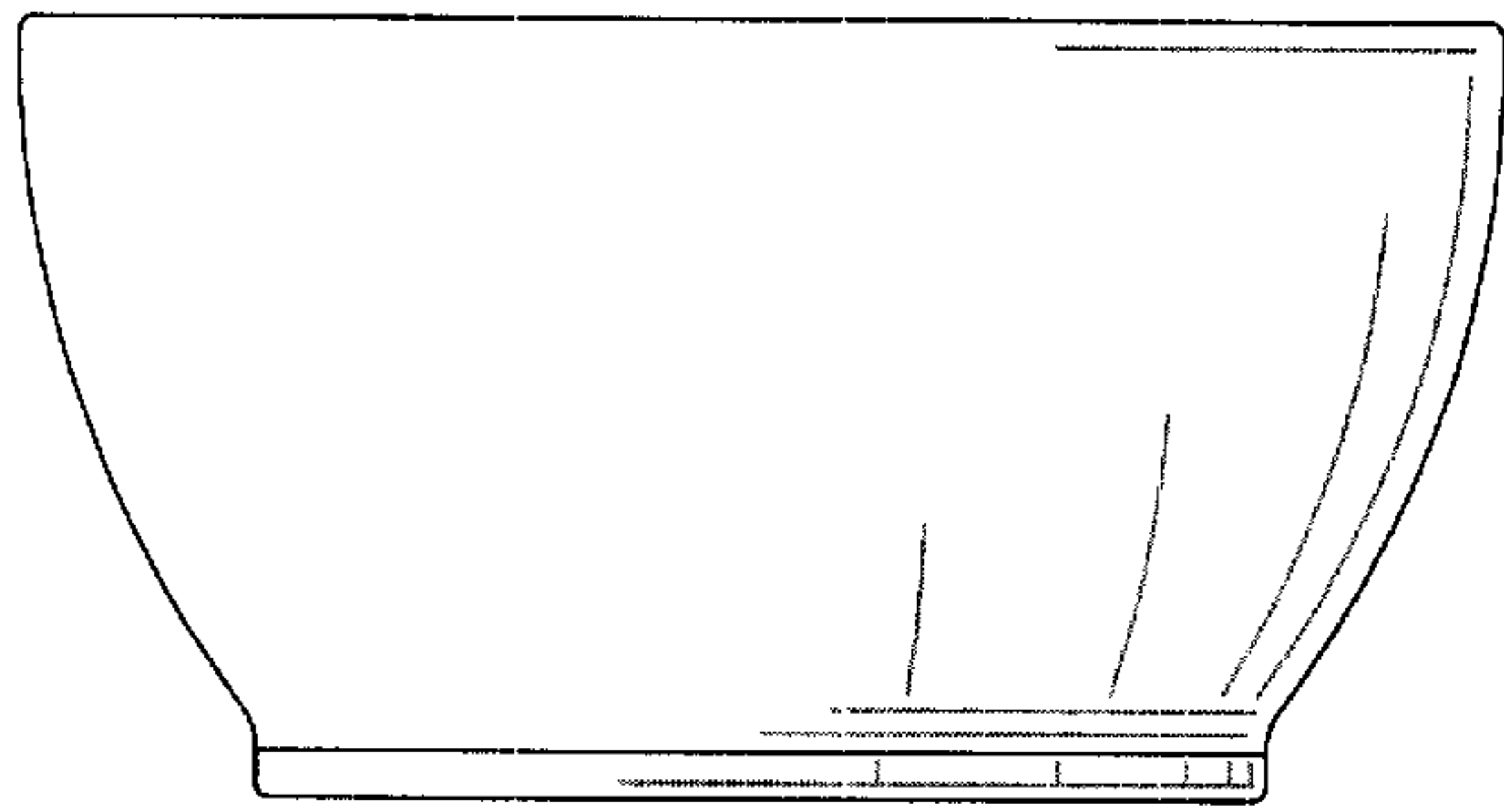


FIG. 5

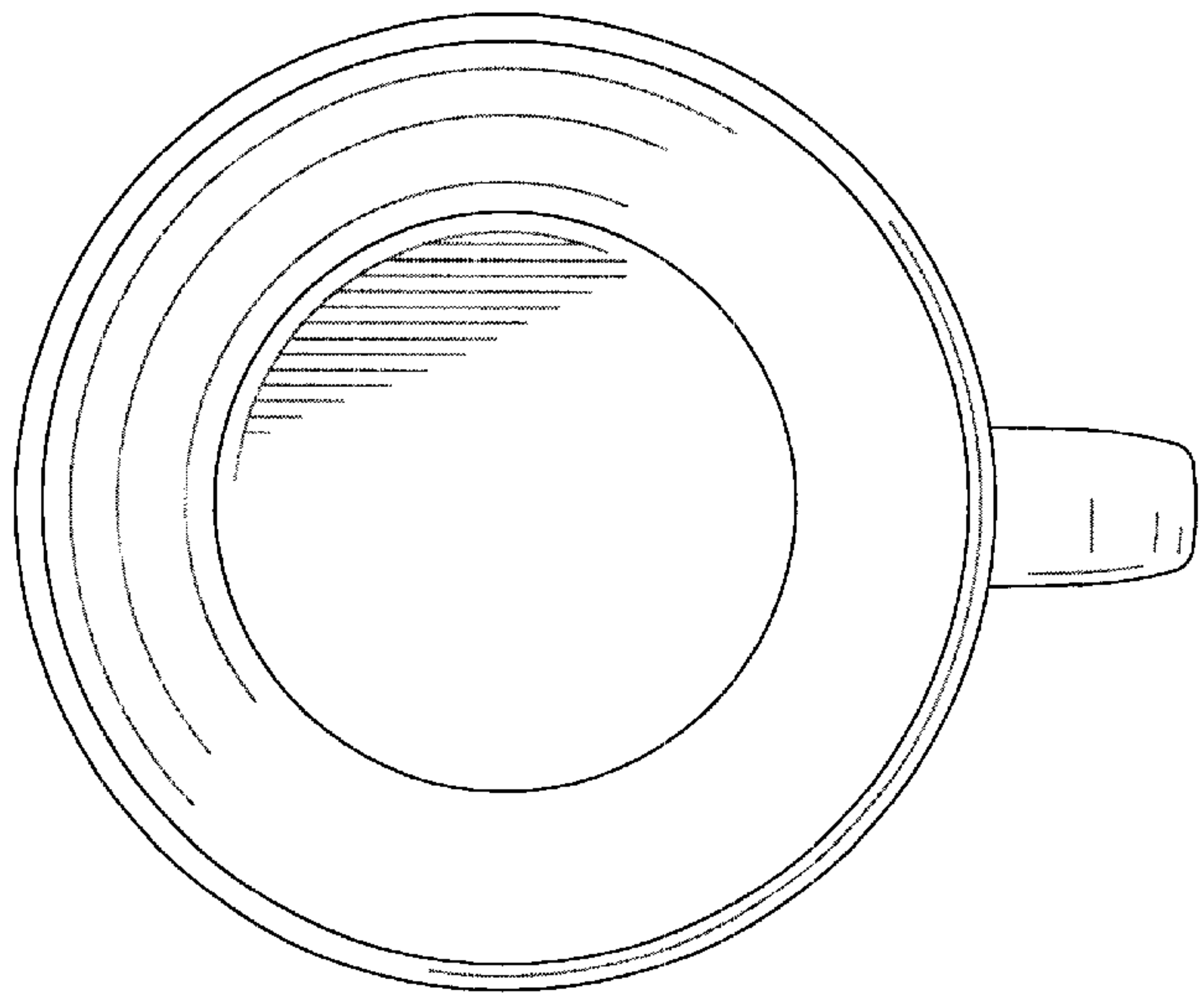


FIG. 6

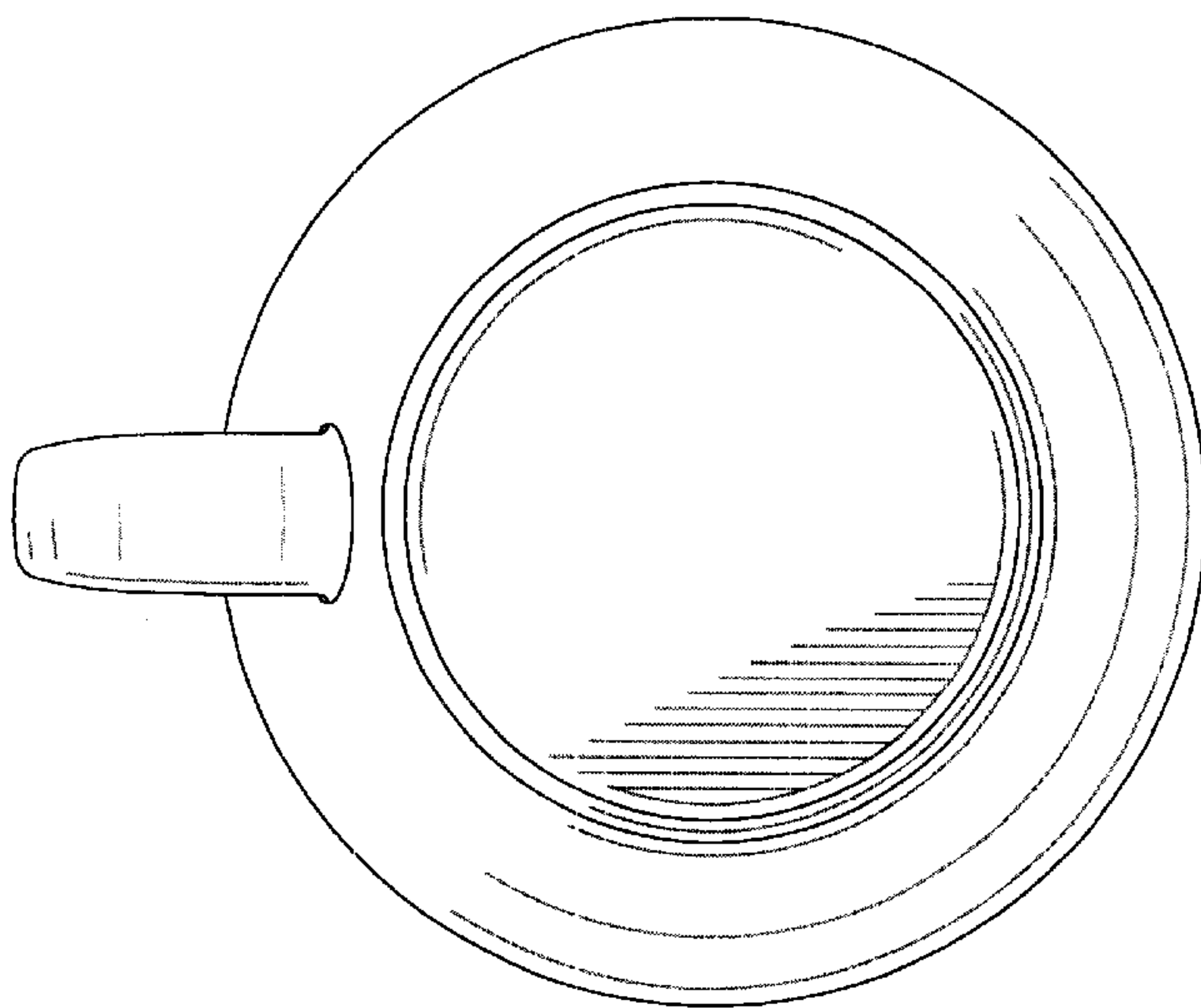


FIG. 7