



US00D464233S

(12) **United States Design Patent**
Pai

(10) **Patent No.:** **US D464,233 S**

(45) **Date of Patent:** **** Oct. 15, 2002**

(54) **ROASTER**

(76) Inventor: **Lucas Pai**, 8 Fl.-2, No. 160, Sec. 1,
Chung-Kang Rd., Taichung (TW)

(**) Term: **14 Years**

(21) Appl. No.: **29/142,985**

(22) Filed: **Jun. 6, 2001**

(51) **LOC (7) Cl.** **07-02**

(52) **U.S. Cl.** **D7/402; D7/354**

(58) **Field of Search** D7/323, 332-337,
D7/354-361, 402-404, 409; 99/340, 375,
419, 421 H, 422, 421 R, 424, 443 C-444,
446, 447, 449, 450; 126/25 R, 25 A, 25 AA,
9 R, 38, 39 R-41 R, 50, 200

(56) **References Cited**

U.S. PATENT DOCUMENTS

D420,244 S * 2/2000 Pai D7/332

D425,366 S * 5/2000 Pai D7/402

D430,776 S * 9/2000 Pai D7/402

D438,059 S * 2/2001 Wagner et al. D7/402

* cited by examiner

Primary Examiner—Caron D. Veynar

(74) *Attorney, Agent, or Firm*—William E. Pelton, Esq.

(57) **CLAIM**

The ornamental design for a roaster, as shown.

DESCRIPTION

FIG. 1 is a perspective view of a roaster showing my new design;

FIG. 2 is a front elevational view thereof;

FIG. 3 is a rear elevational view thereof;

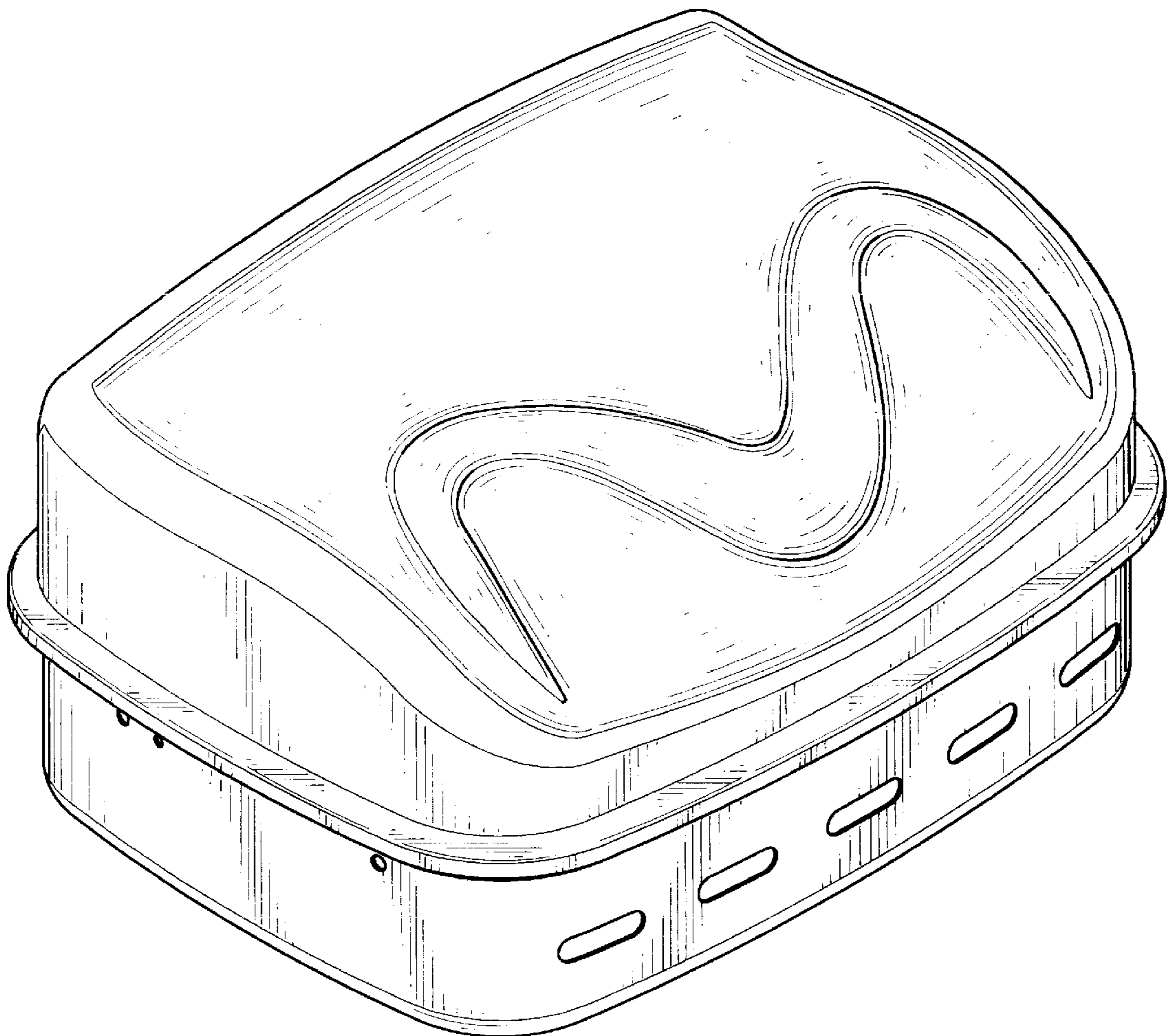
FIG. 4 is a left side view thereof;

FIG. 5 is a right side view thereof;

FIG. 6 is a top plain view thereof; and,

FIG. 7 is a bottom plain view thereof.

1 Claim, 7 Drawing Sheets



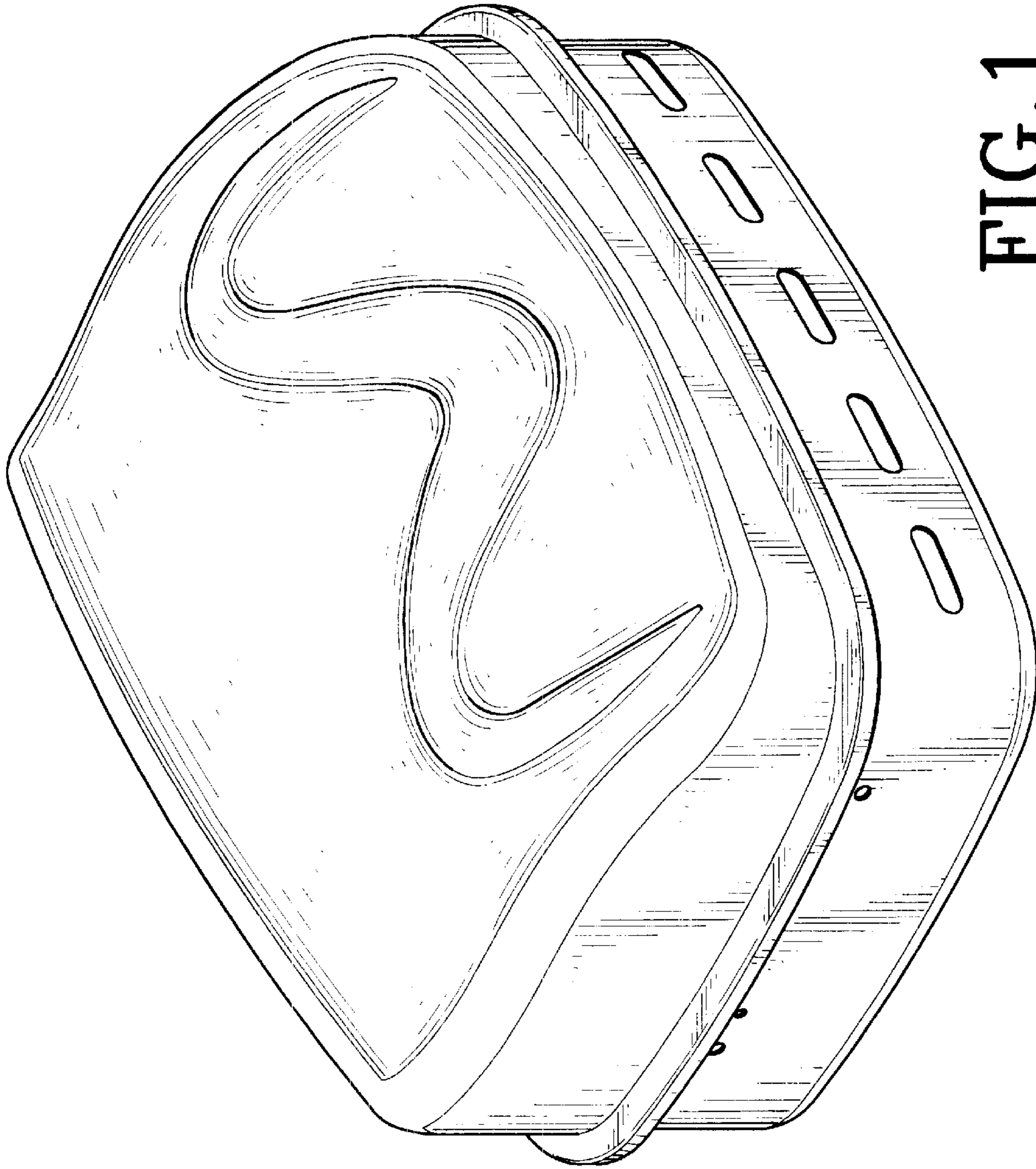


FIG. 1

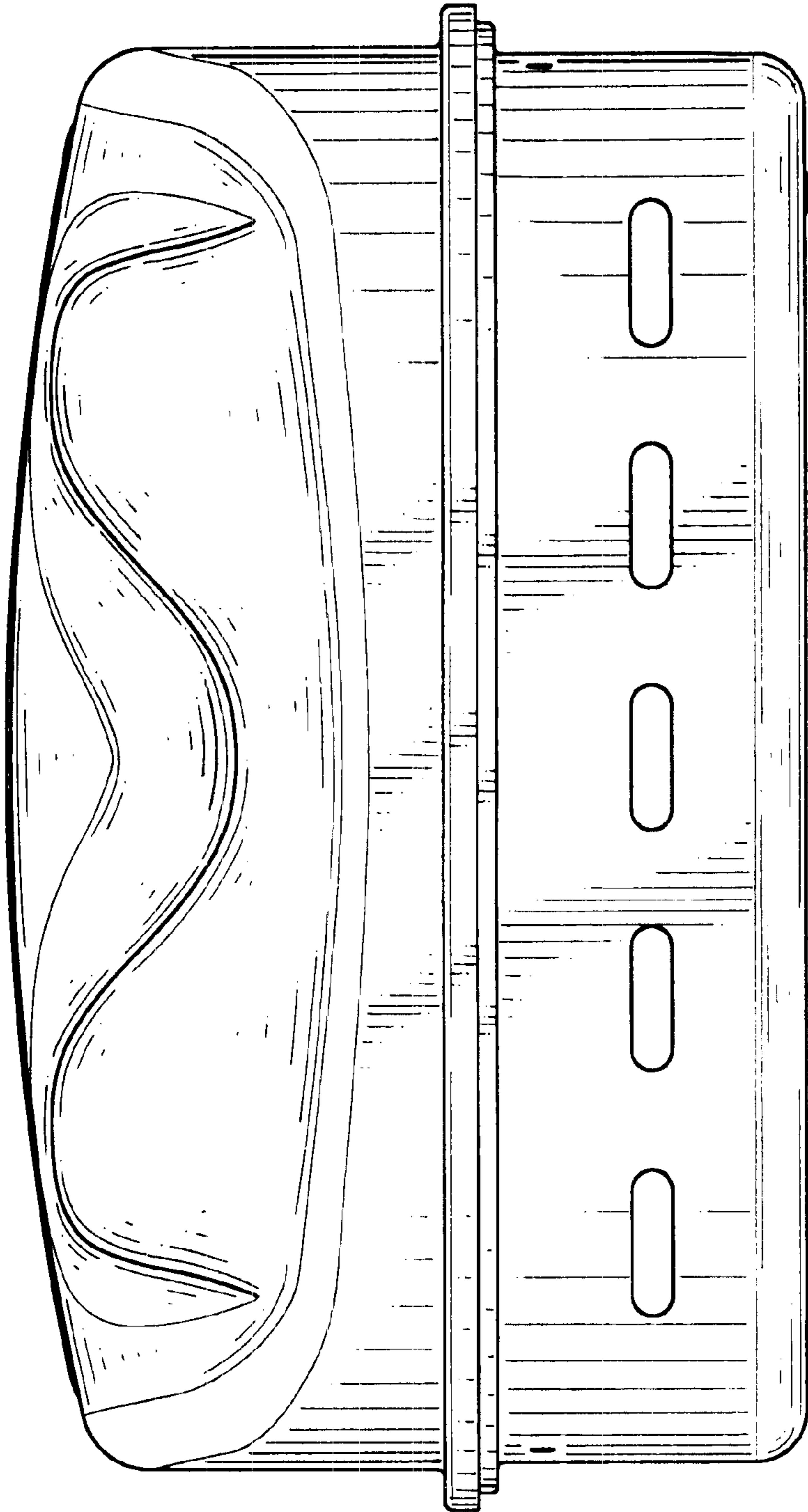


FIG. 2

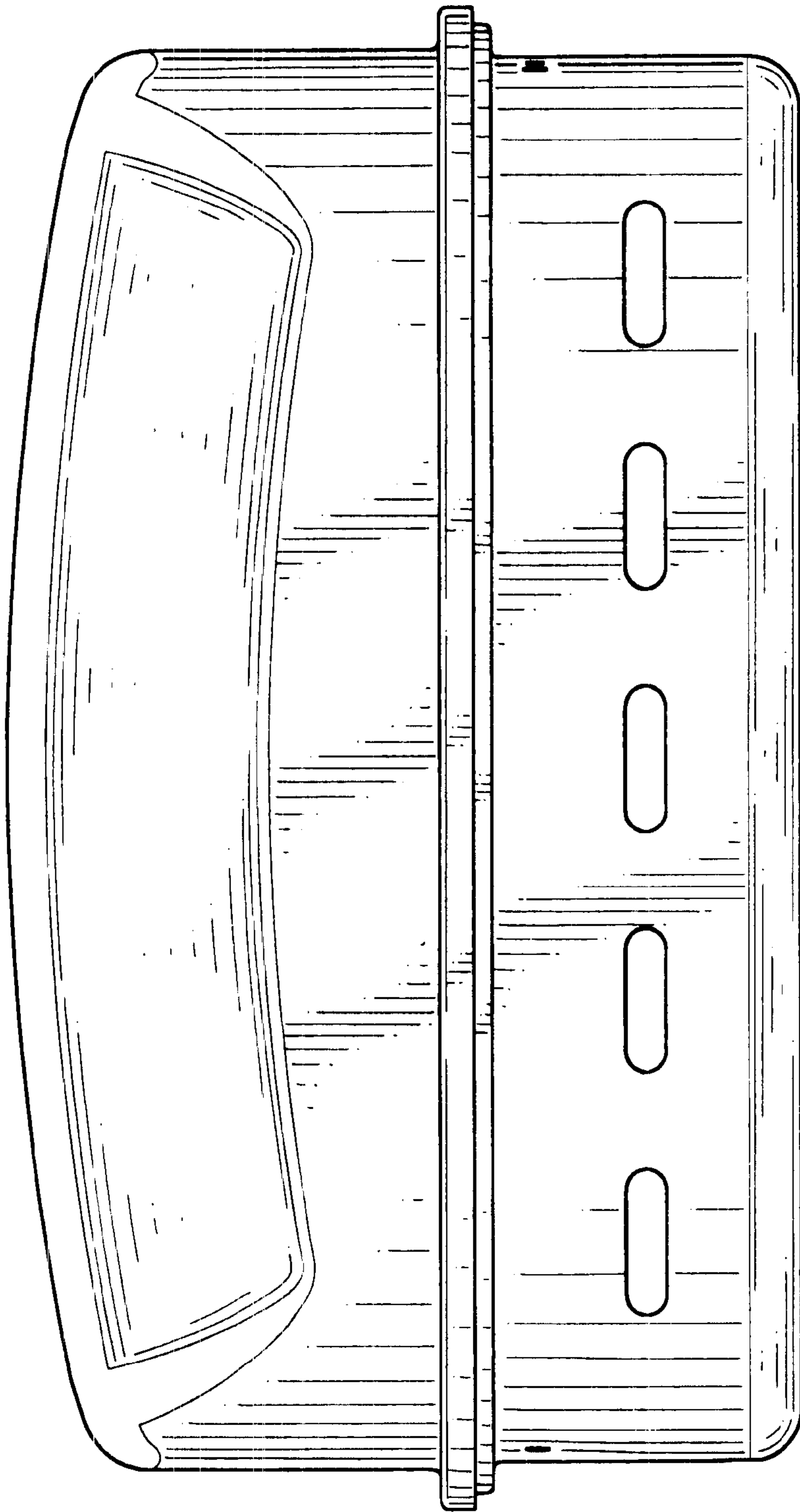


FIG. 3

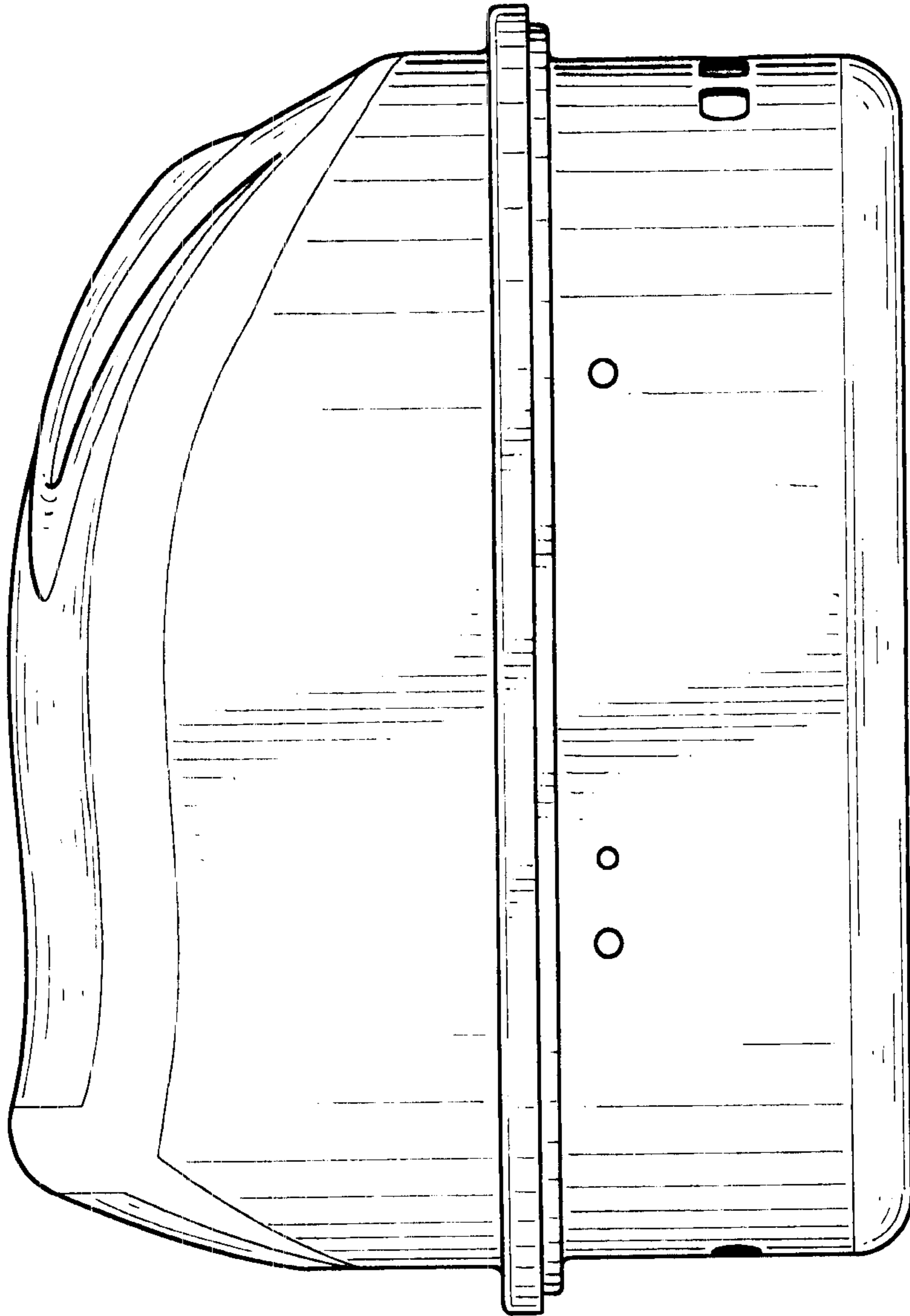


FIG. 4

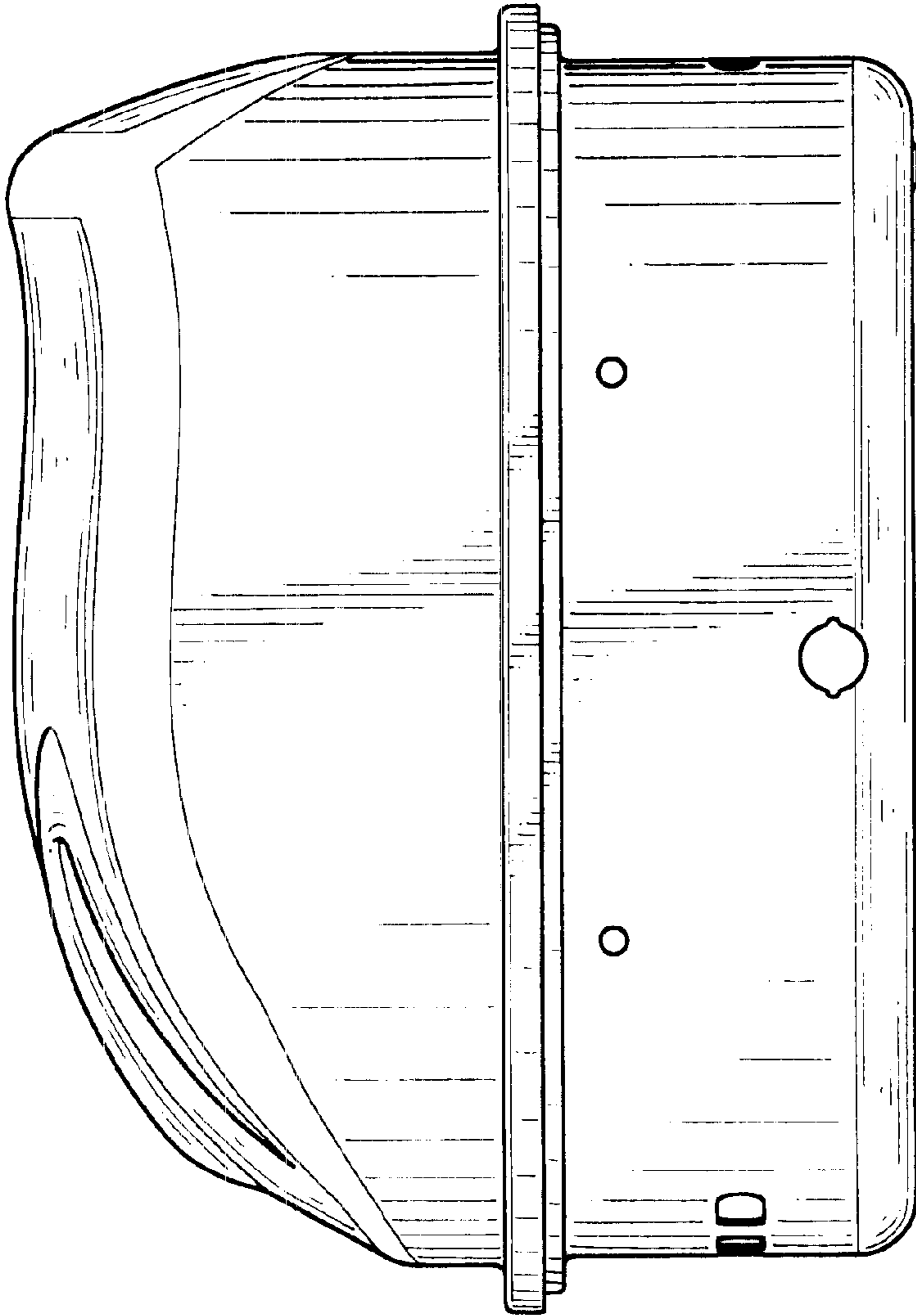


FIG. 5

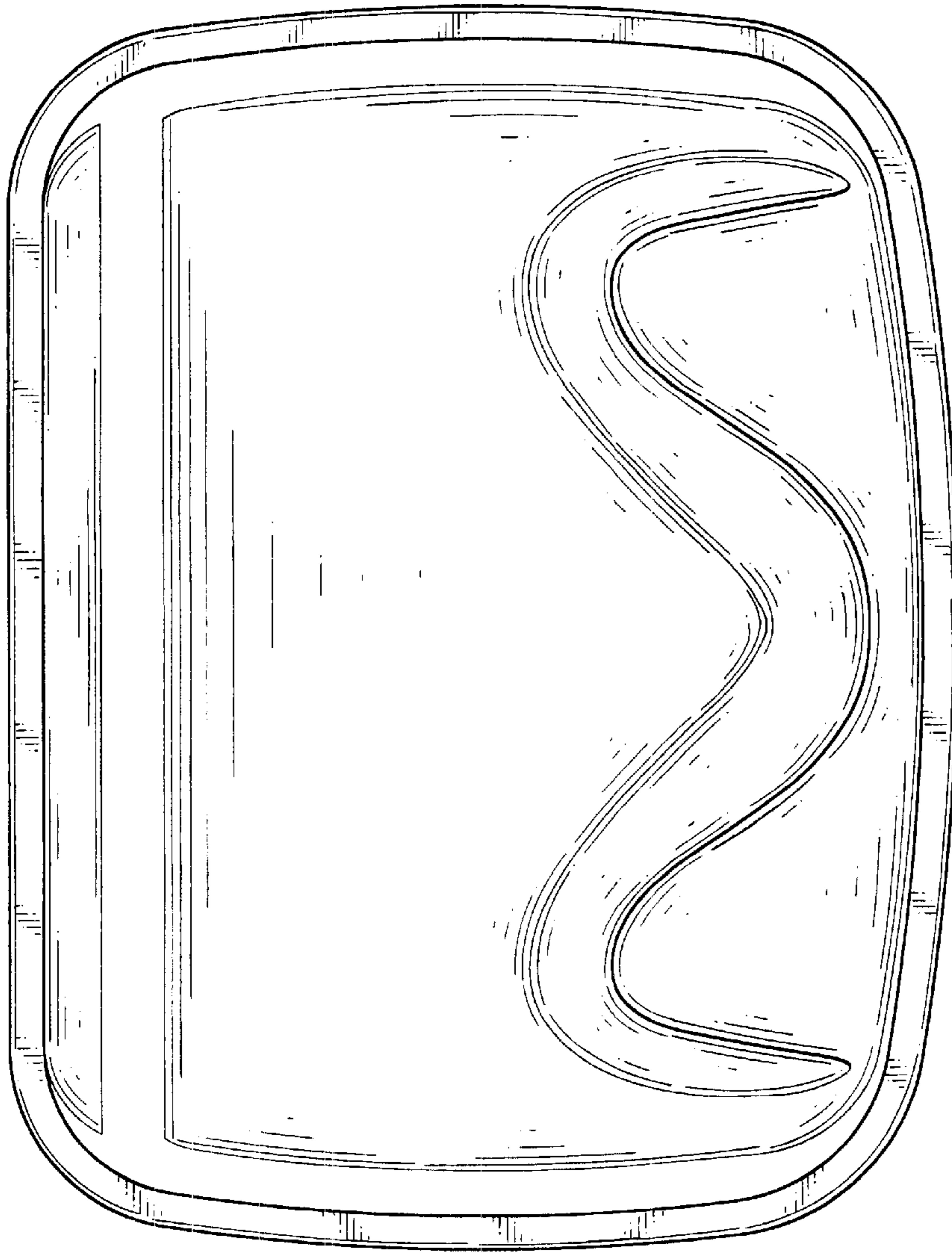


FIG. 6

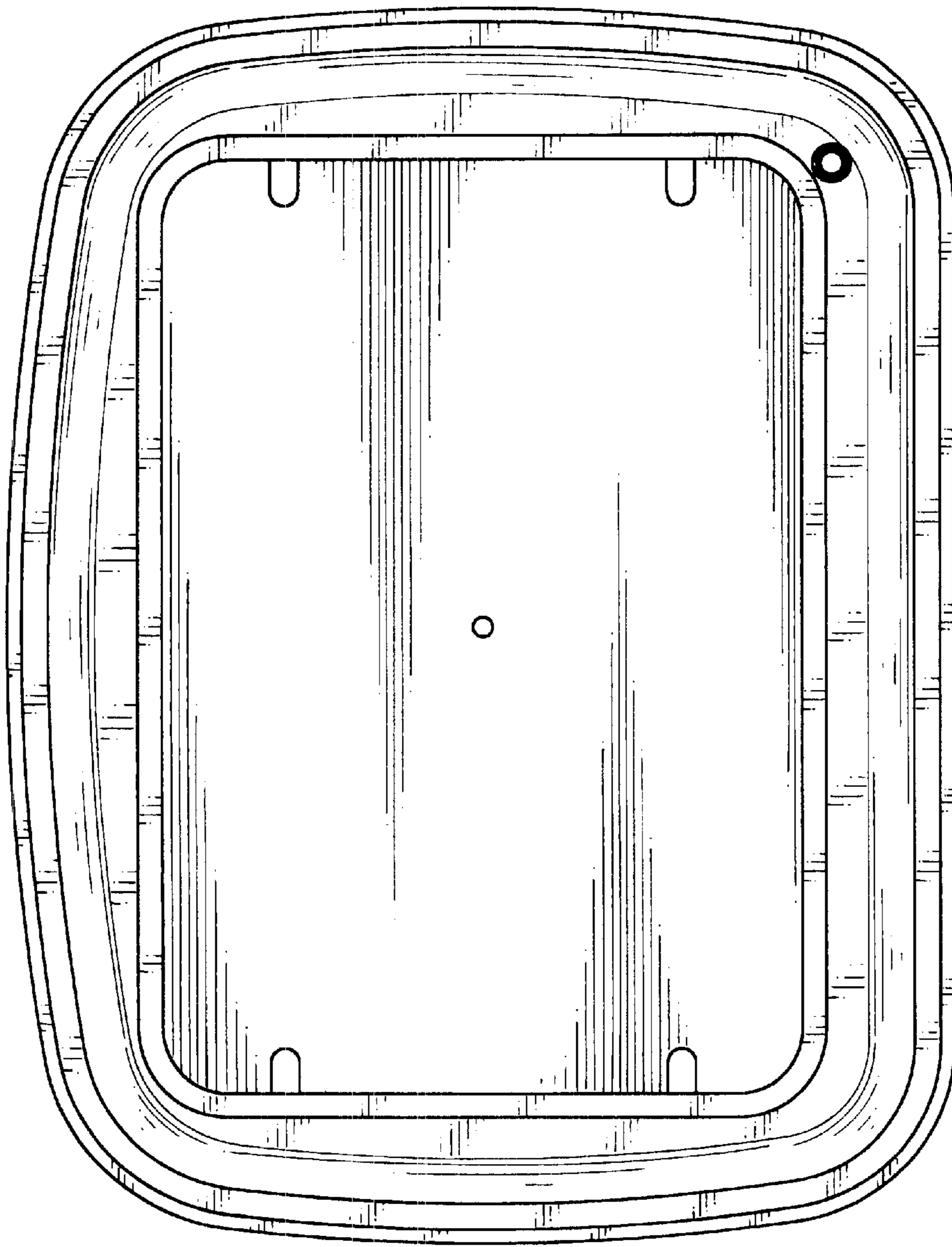


FIG. 7