



US00D464230S

(12) **United States Design Patent**  
**Wu**

(10) **Patent No.:** **US D464,230 S**

(45) **Date of Patent:** **\*\* Oct. 15, 2002**

(54) **GRILLER**

D435,755 S \* 1/2001 Deni ..... D7/352  
D446,074 S \* 8/2001 Barker ..... D7/352

(75) Inventor: **Tsan-Kuen Wu**, Tainan Hsien (TW)

\* cited by examiner

(73) Assignee: **Tsann Kuen USA Inc.**, Pasadena, CA (US)

*Primary Examiner*—Caron D. Veynar

(74) *Attorney, Agent, or Firm*—Jenkins & Gilchrist, P.C.

(\*\*) Term: **14 Years**

(57) **CLAIM**

(21) Appl. No.: **29/153,834**

The ornamental design for a griller, as shown and described.

(22) Filed: **Nov. 6, 2001**

**DESCRIPTION**

(51) **LOC (7) Cl.** ..... **07-02**

FIG. 1 is a perspective view of griller showing the new design;

(52) **U.S. Cl.** ..... **D7/352**

FIG. 2 is a front elevational view thereof;

(58) **Field of Search** ..... D7/323, 337, 350,  
D7/352, 353, 362; 99/372–379; 219/524,  
525

FIG. 3 is a rear elevational view thereof;

FIG. 4 is a left side elevational view thereof;

FIG. 5 is a right side elevational view thereof;

FIG. 6 is a top plan view thereof; and,

FIG. 7 is a bottom plan view thereof.

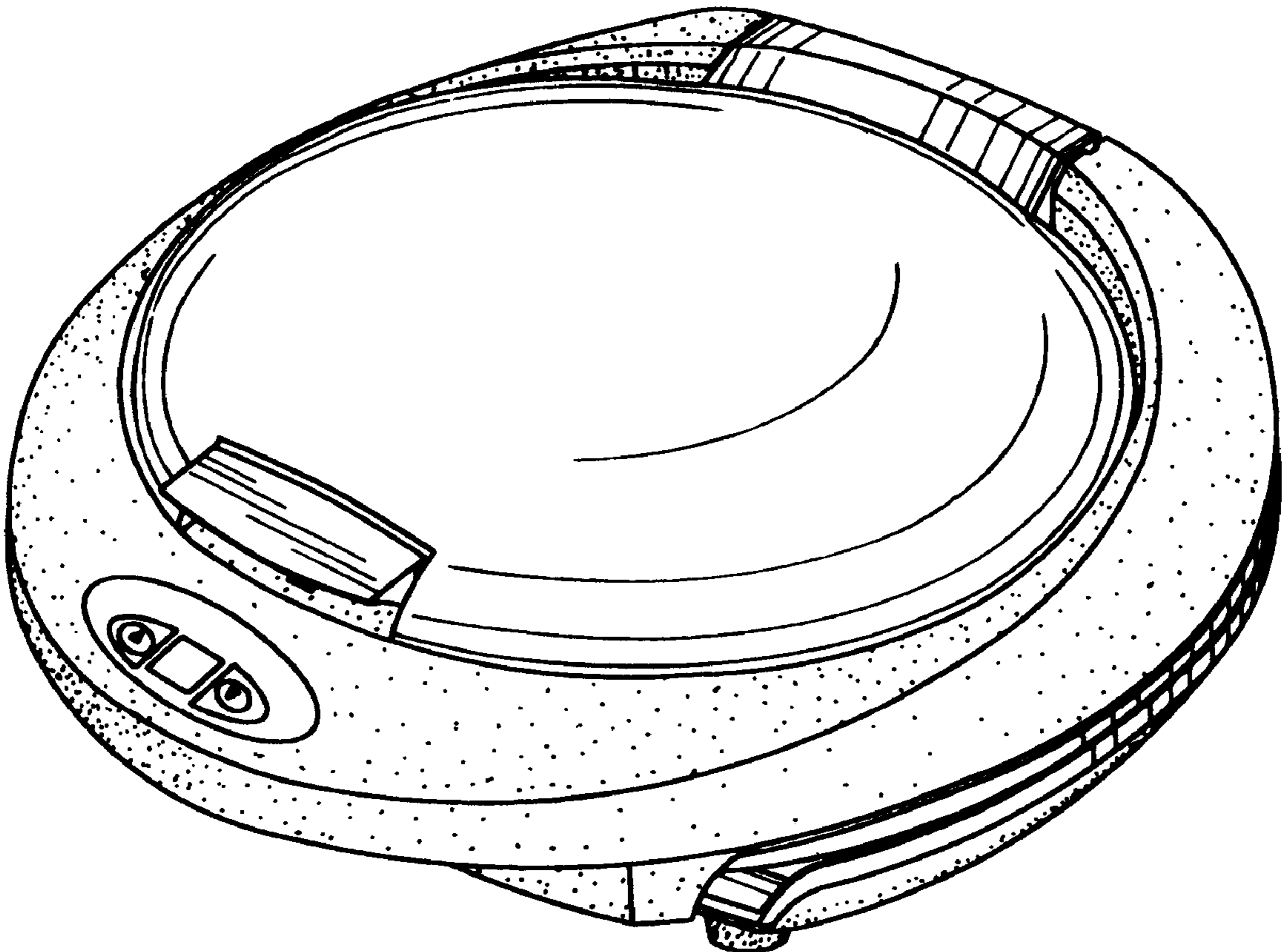
(56) **References Cited**

**U.S. PATENT DOCUMENTS**

D413,760 S \* 9/1999 Tsai et al. .... D7/352

D419,823 S \* 2/2000 Choi ..... D7/352

**1 Claim, 5 Drawing Sheets**



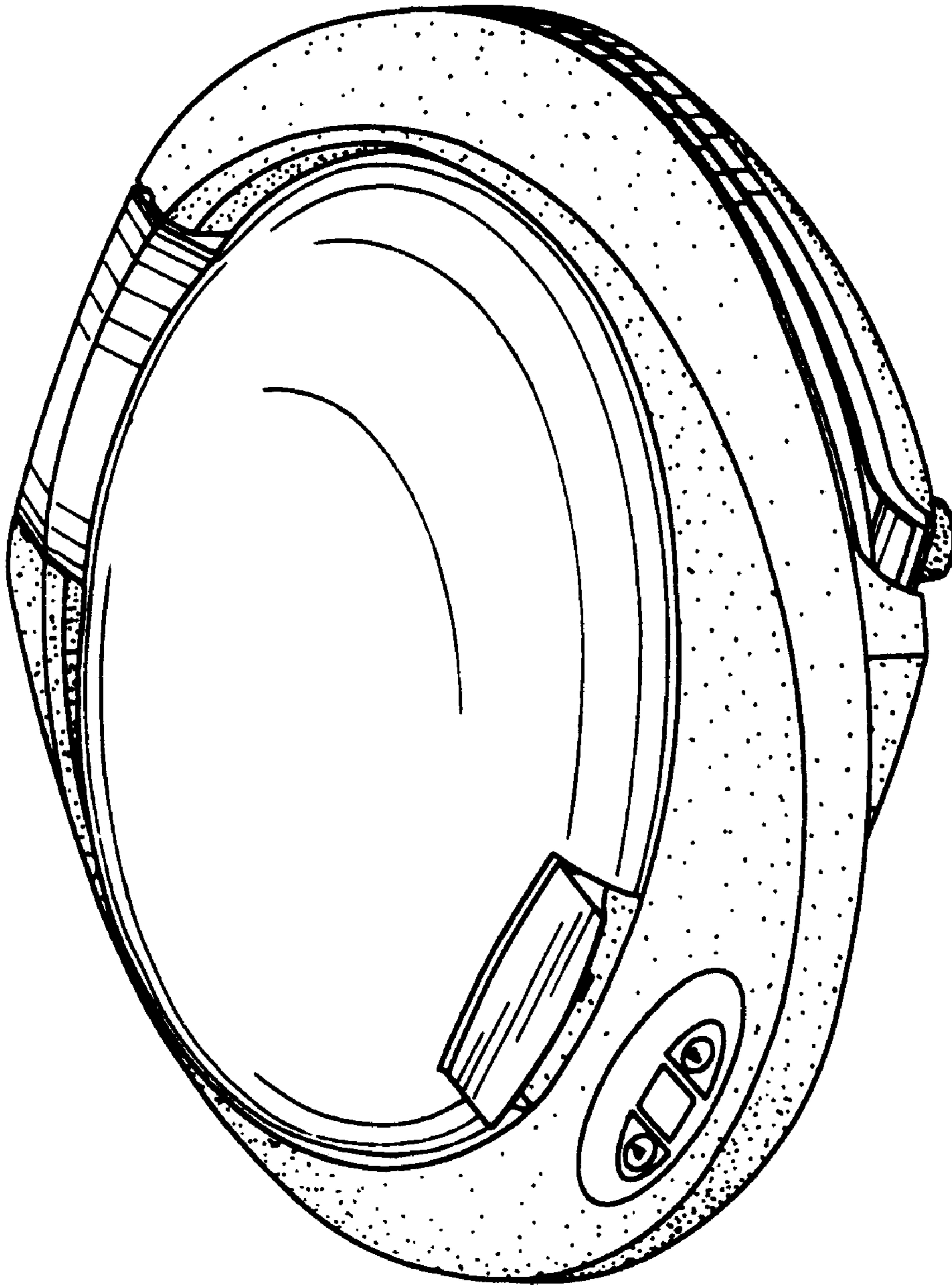


FIG. 1

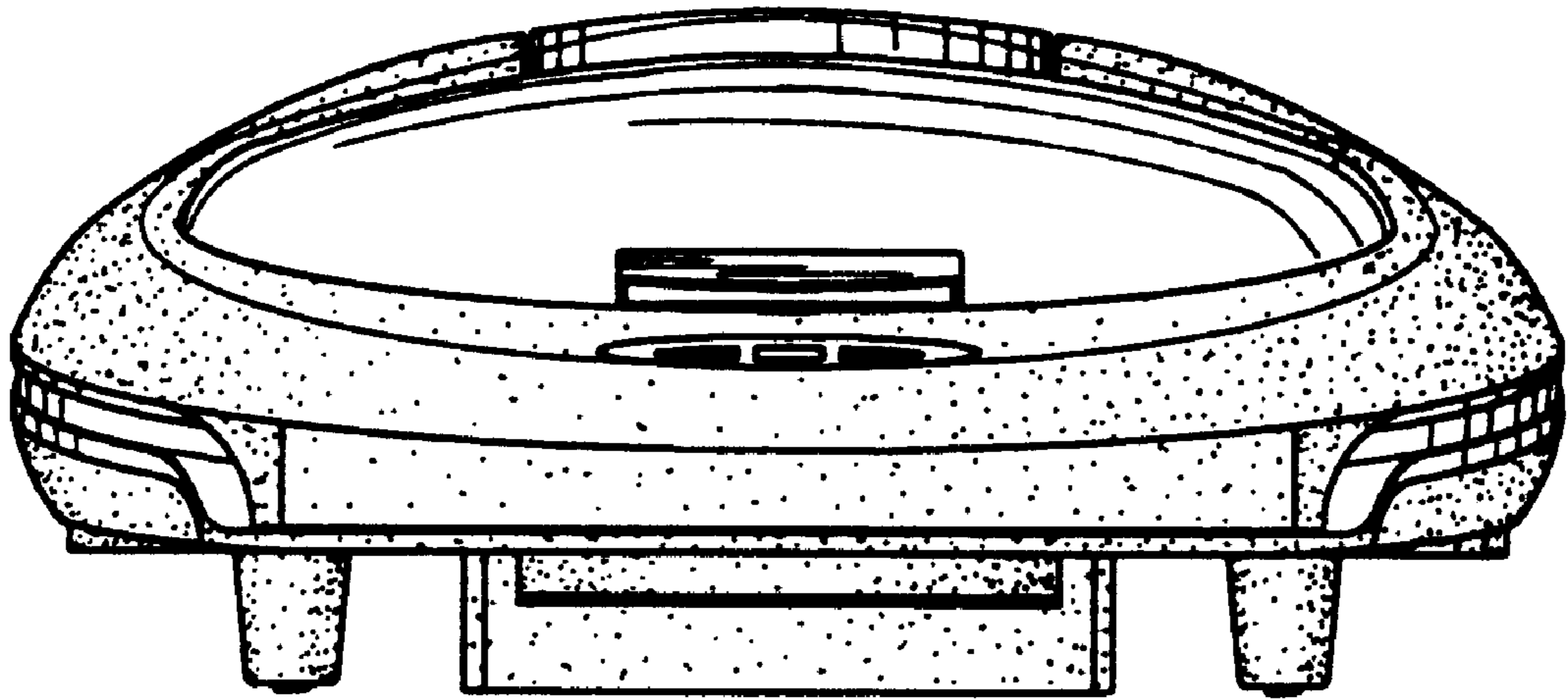


FIG. 2

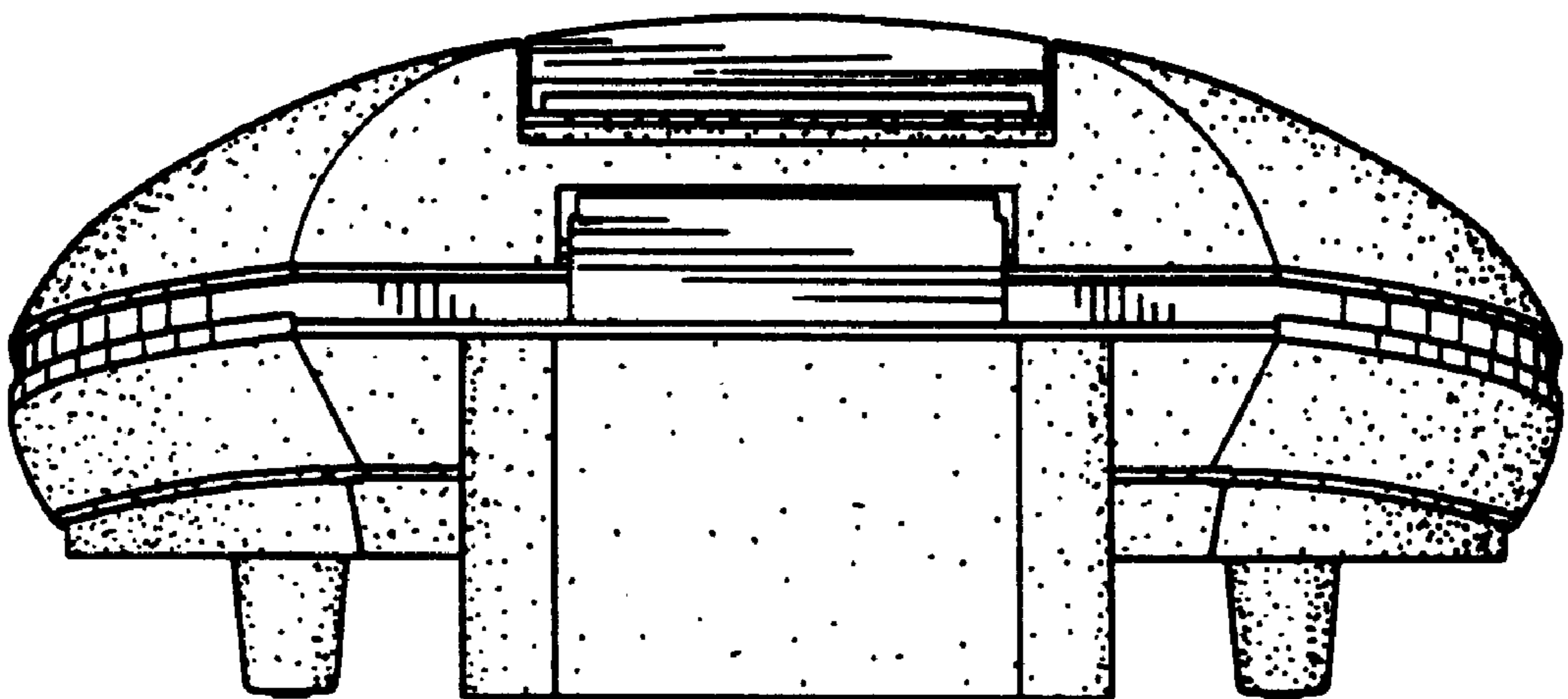


FIG. 3

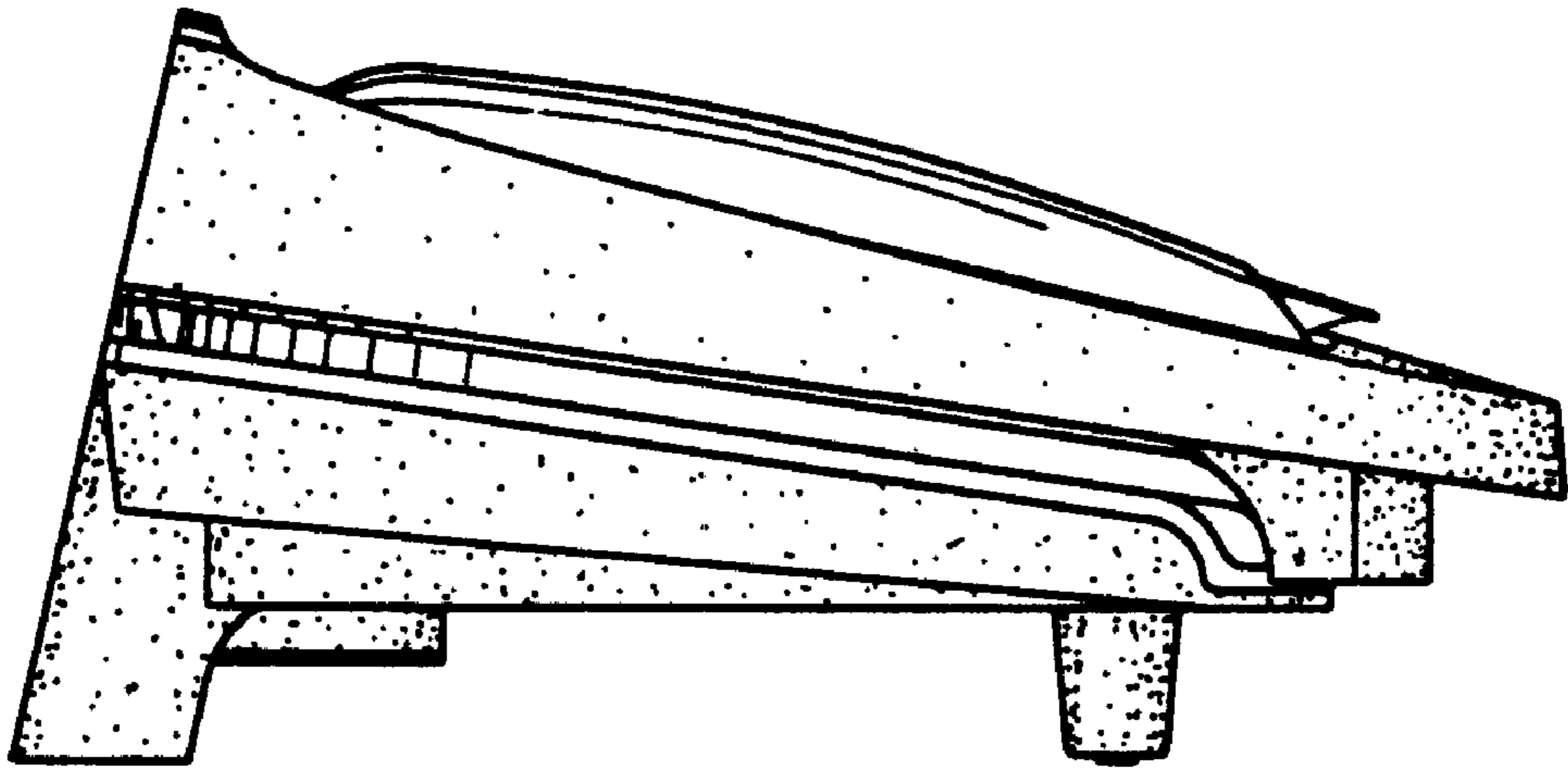


FIG. 4

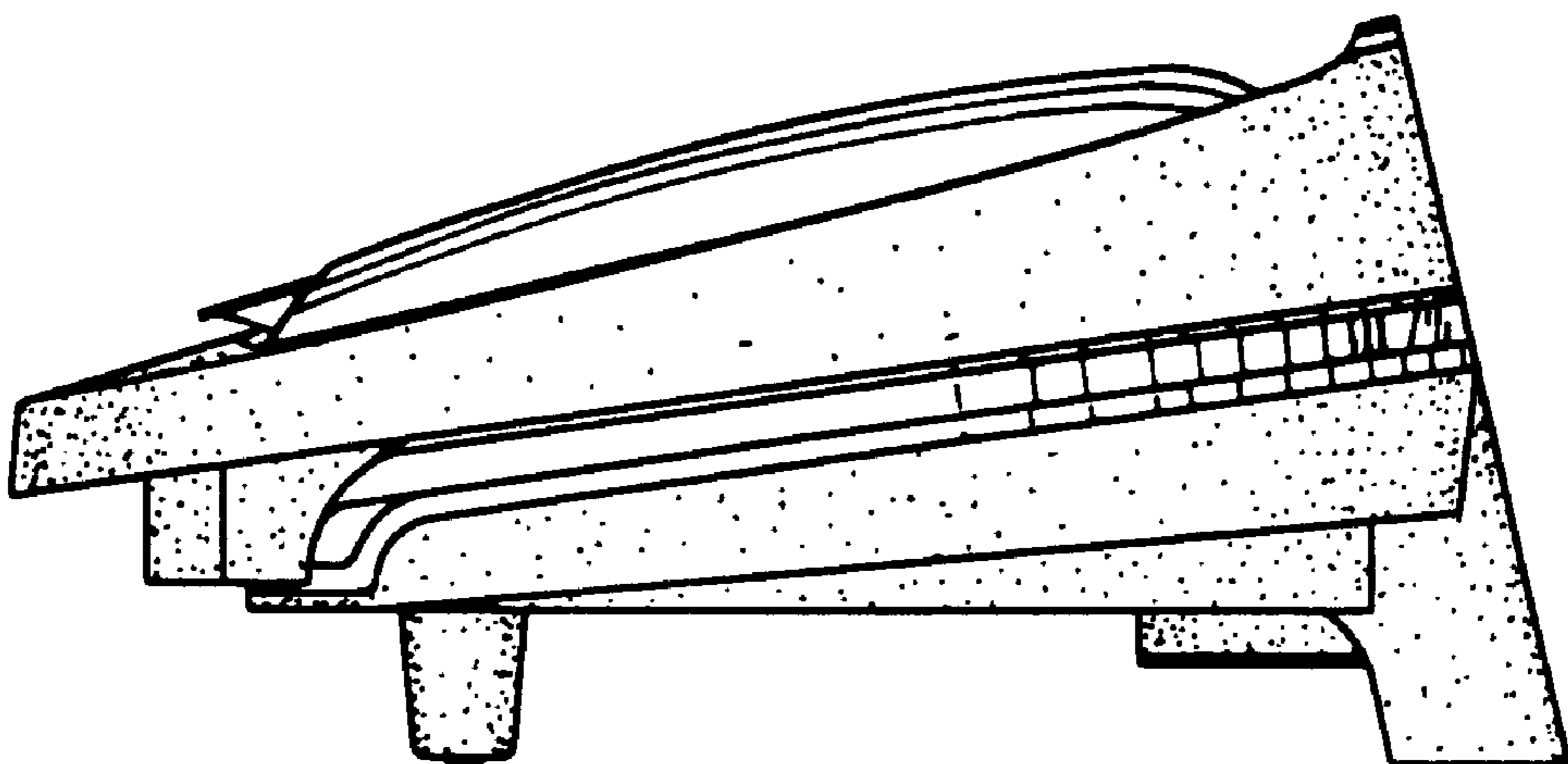


FIG. 5



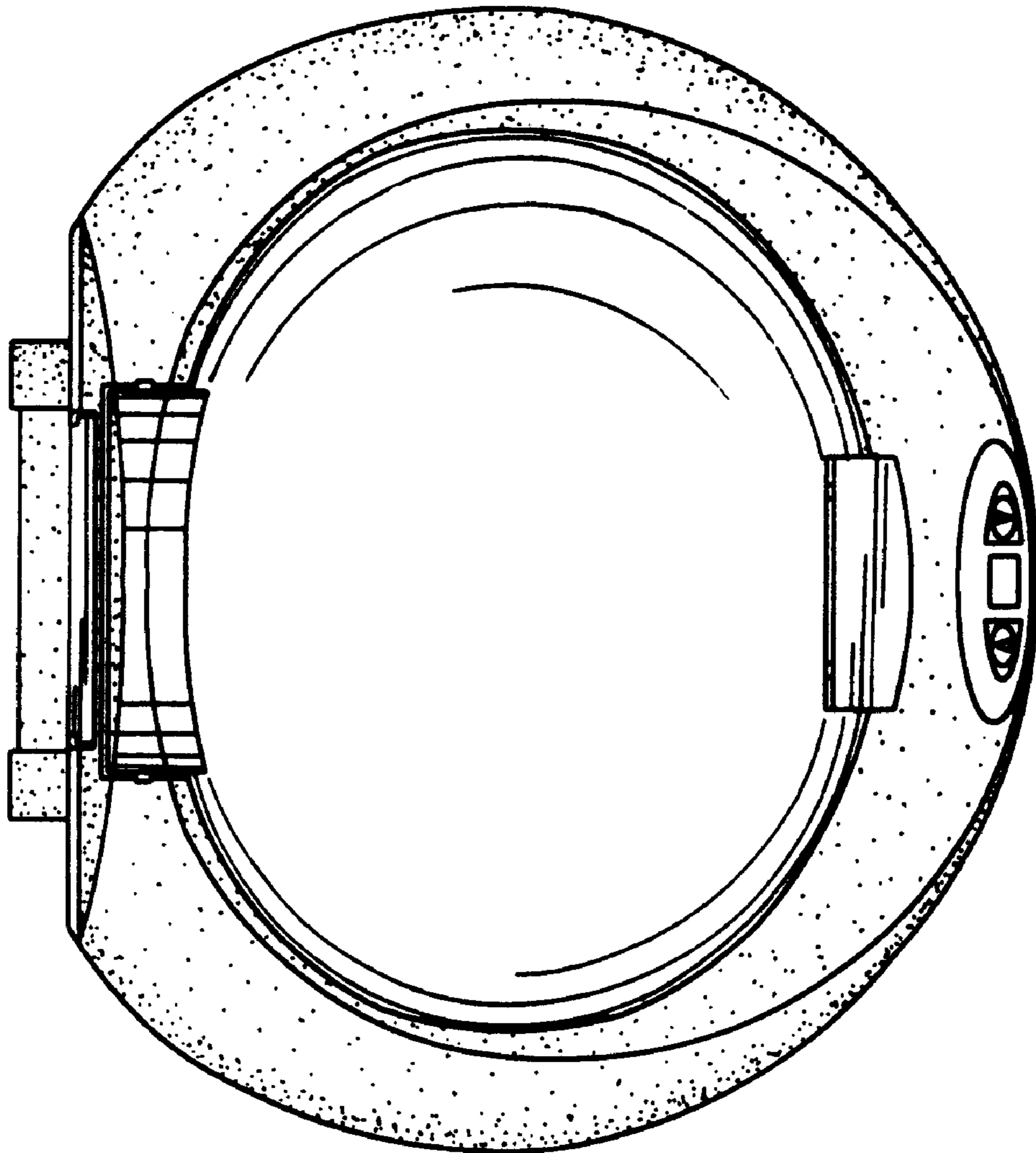


FIG. 6

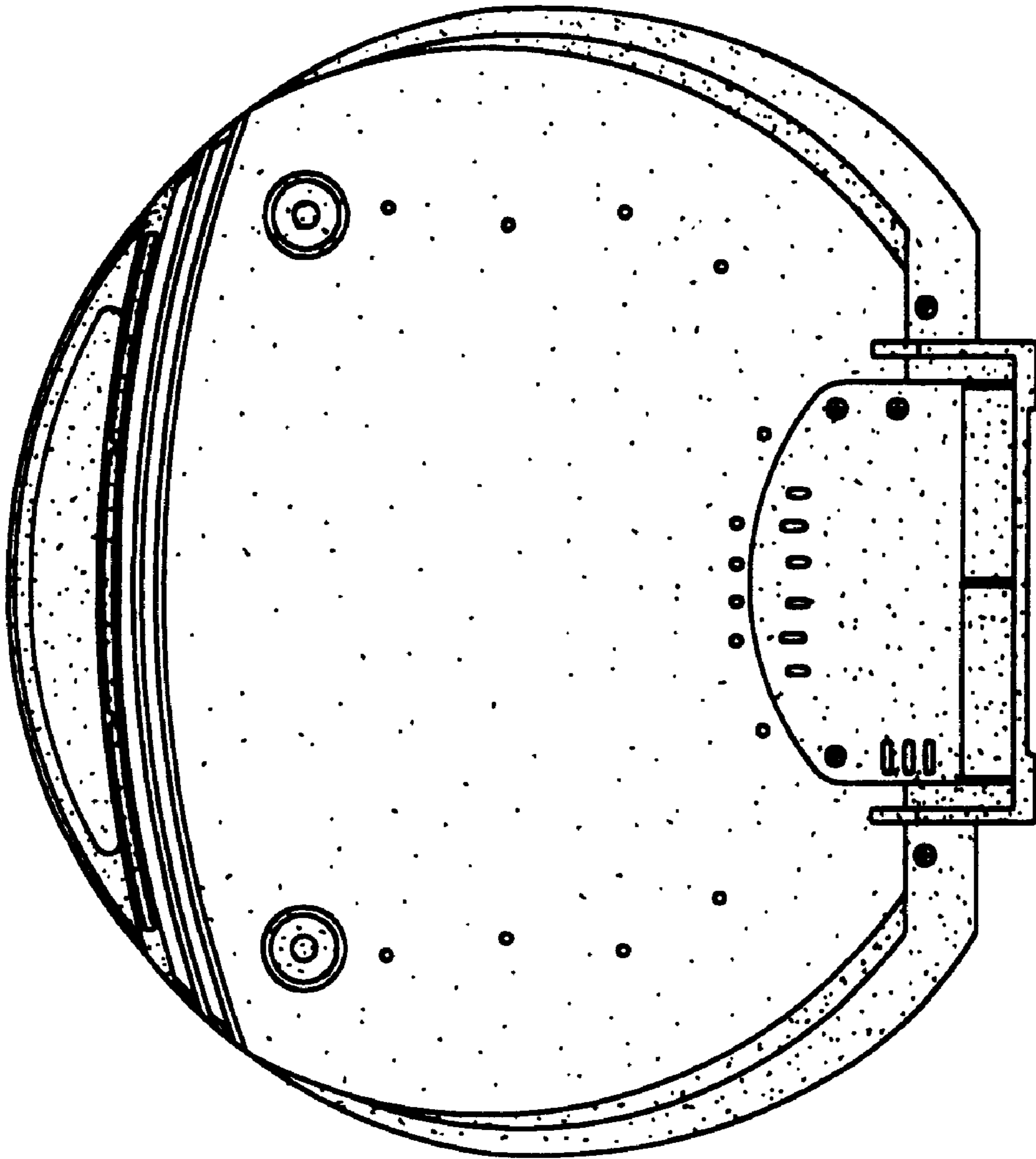


FIG. 7