



US00D464227S

(12) **United States Design Patent**
Eisinger et al.

(10) **Patent No.:** **US D464,227 S**

(45) **Date of Patent:** **** Oct. 15, 2002**

- (54) **NON-ROUND CHARCOAL GRILL WITH DROP-IN ASH-CATCHER**
- (75) Inventors: **John E. Eisinger**, Chicago, IL (US);
Mike Nipke, Grandville, MI (US)
- (73) Assignee: **Marshall Associates Inc.**, Chicago, IL (US)
- (**) Term: **14 Years**
- (21) Appl. No.: **29/143,626**
- (22) Filed: **Jun. 15, 2001**
- (51) **LOC (7) Cl.** **07-02**
- (52) **U.S. Cl.** **D7/332**
- (58) **Field of Search** D7/332, 334-337,
D7/402-404; 126/25 R, 25 A, 25 AA, 9 R,
9 B, 29-30, 41 R; 99/421 R, 444

- D415,649 S * 10/1999 Pai D7/337
- D415,925 S * 11/1999 Pai D7/337
- D430,717 S 9/2000 Alden et al. D34/20
- 6,155,248 A 12/2000 Schlosser et al. 126/242

OTHER PUBLICATIONS

Meco Owner's Manual, copyright 1995, "Meco Swinger Grill".*

Merchandising, vol. 6, Jan. 1981, p. 113. "Structo Barbecue Grill". Center of page.*

* cited by examiner

Primary Examiner—Ruth McInroy

(74) *Attorney, Agent, or Firm*—McAndrews, Held & Malloy, Ltd.

(57) **CLAIM**

The ornamental design for the non-round charcoal grill with drop-in ash-catcher, as shown and described.

DESCRIPTION

FIG. 1 is a perspective view of a non-round charcoal grill with drop-in ash catcher according to the present invention; FIG. 2 is an exploded perspective view of the charcoal grill of FIG. 1 with the ash catcher removed from the charcoal grill;

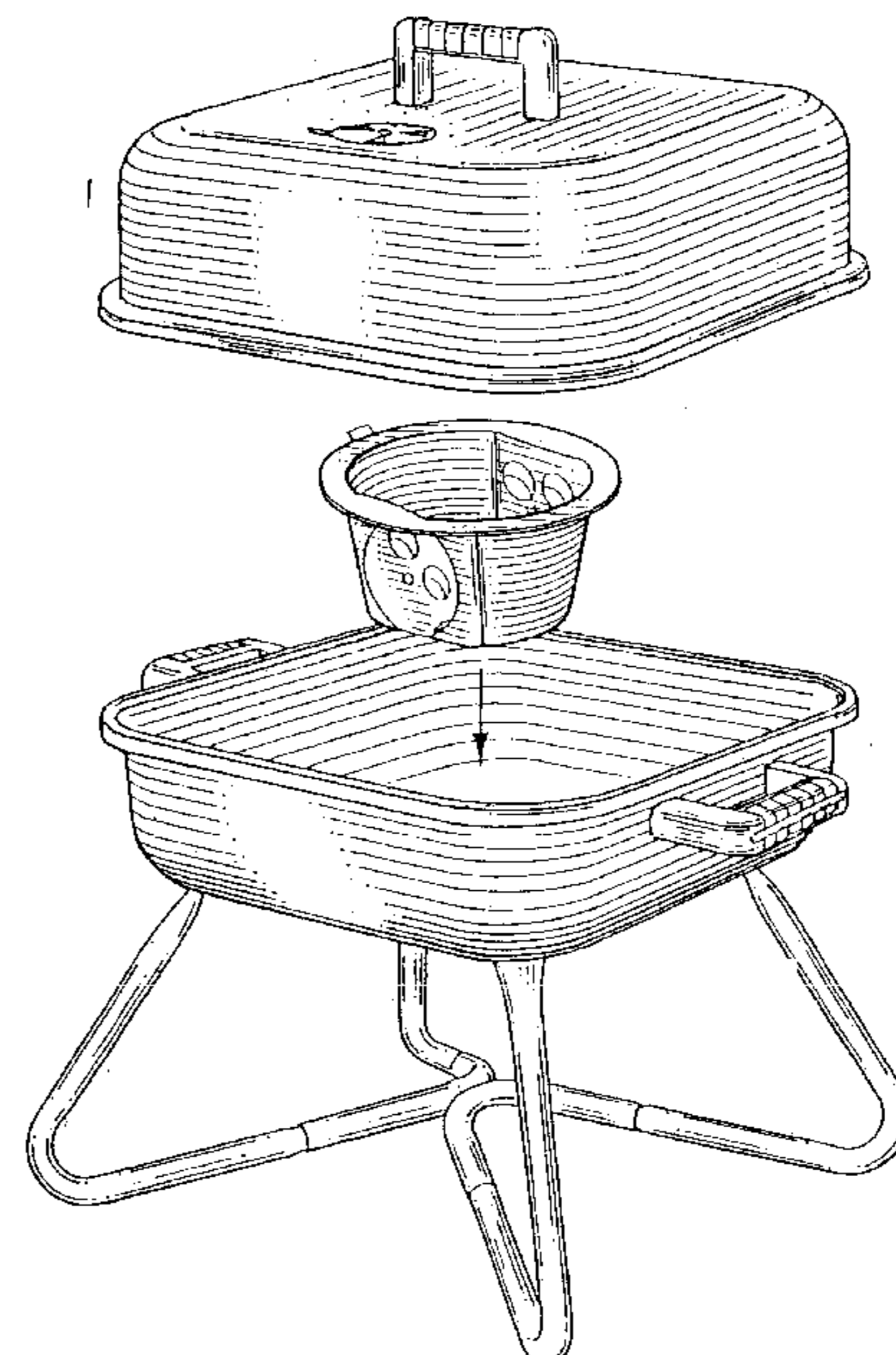
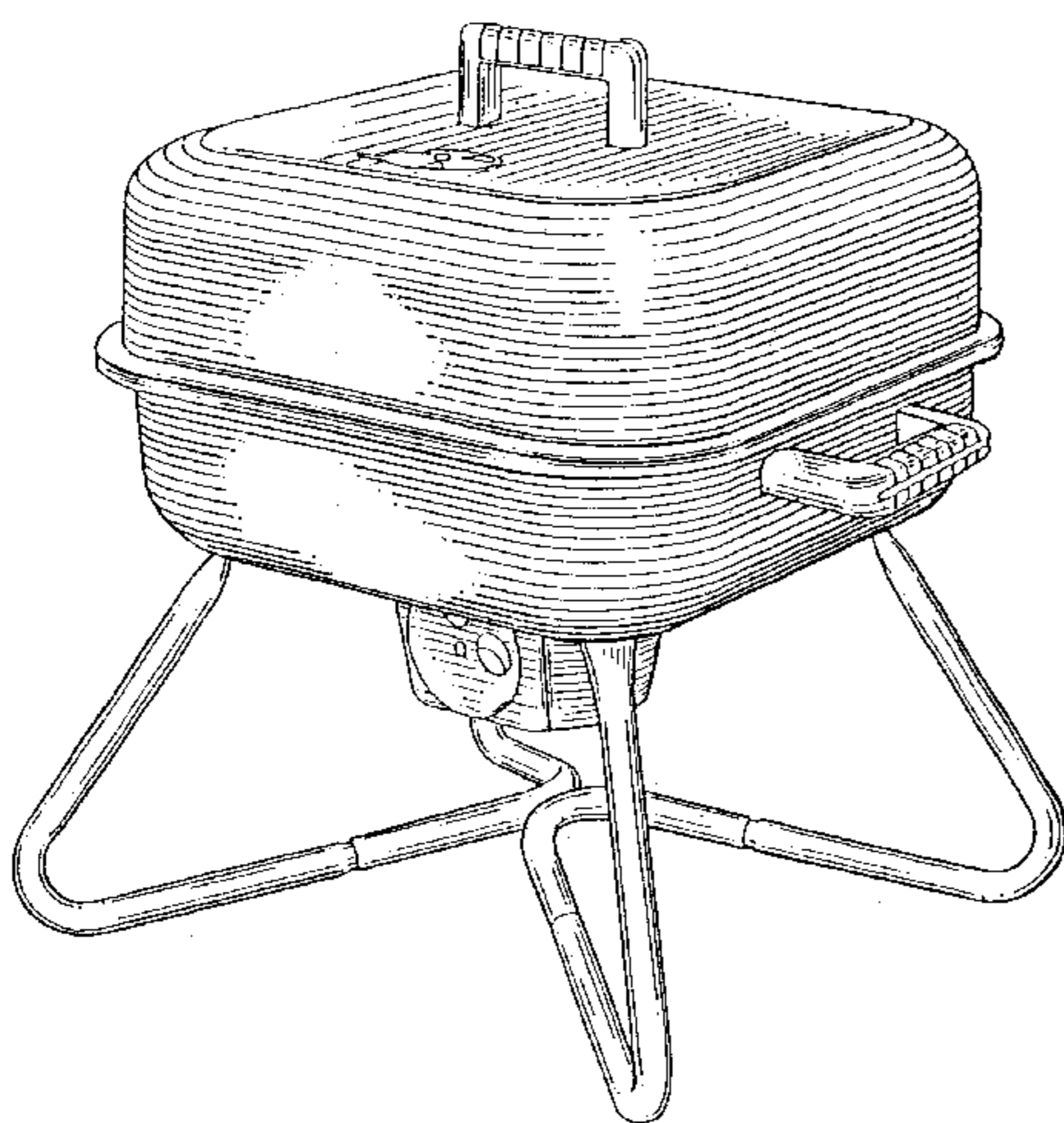
FIG. 3 is a front elevational view of the charcoal of FIG. 1; FIG. 4 is a left-side elevational view of the charcoal grill of FIG. 1;

FIG. 5 is a top plan view of the charcoal grill of FIG. 1; and, FIG. 6 is a bottom plan view of the charcoal grill of FIG. 1. The rear elevational view of the charcoal grill is a mirror image of the front elevational view of FIG. 3. The right side elevational view of the charcoal grill is a mirror image of the left side elevational view of FIG. 4.

1 Claim, 3 Drawing Sheets

(56) **References Cited**
U.S. PATENT DOCUMENTS

- D188,879 S * 9/1960 Gauss et al. D7/334
- D231,070 S * 4/1974 Koziol D7/332
- D231,892 S * 6/1974 Warshauer D7/365
- D252,248 S * 7/1979 Huff D7/334
- D270,988 S * 10/1983 Anderson D7/337
- 4,463,746 A 8/1984 Knuth et al. 126/25 R
- D282,619 S * 2/1986 Fitzgerald et al. D7/332
- 4,683,866 A 8/1987 Bales et al. 126/25 B
- D302,641 S * 8/1989 Elmburg D7/332
- 4,966,126 A 10/1990 Wu 126/25 R
- 5,036,832 A 8/1991 Schlosser et al. 126/243
- 5,299,553 A 4/1994 Giebel et al. 126/25 R
- 5,394,590 A * 3/1995 Yu 16/357
- 5,794,608 A 8/1998 Von Berg 126/25 R
- 5,865,099 A 2/1999 Waugh 99/340
- D414,980 S * 10/1999 Pai D7/337



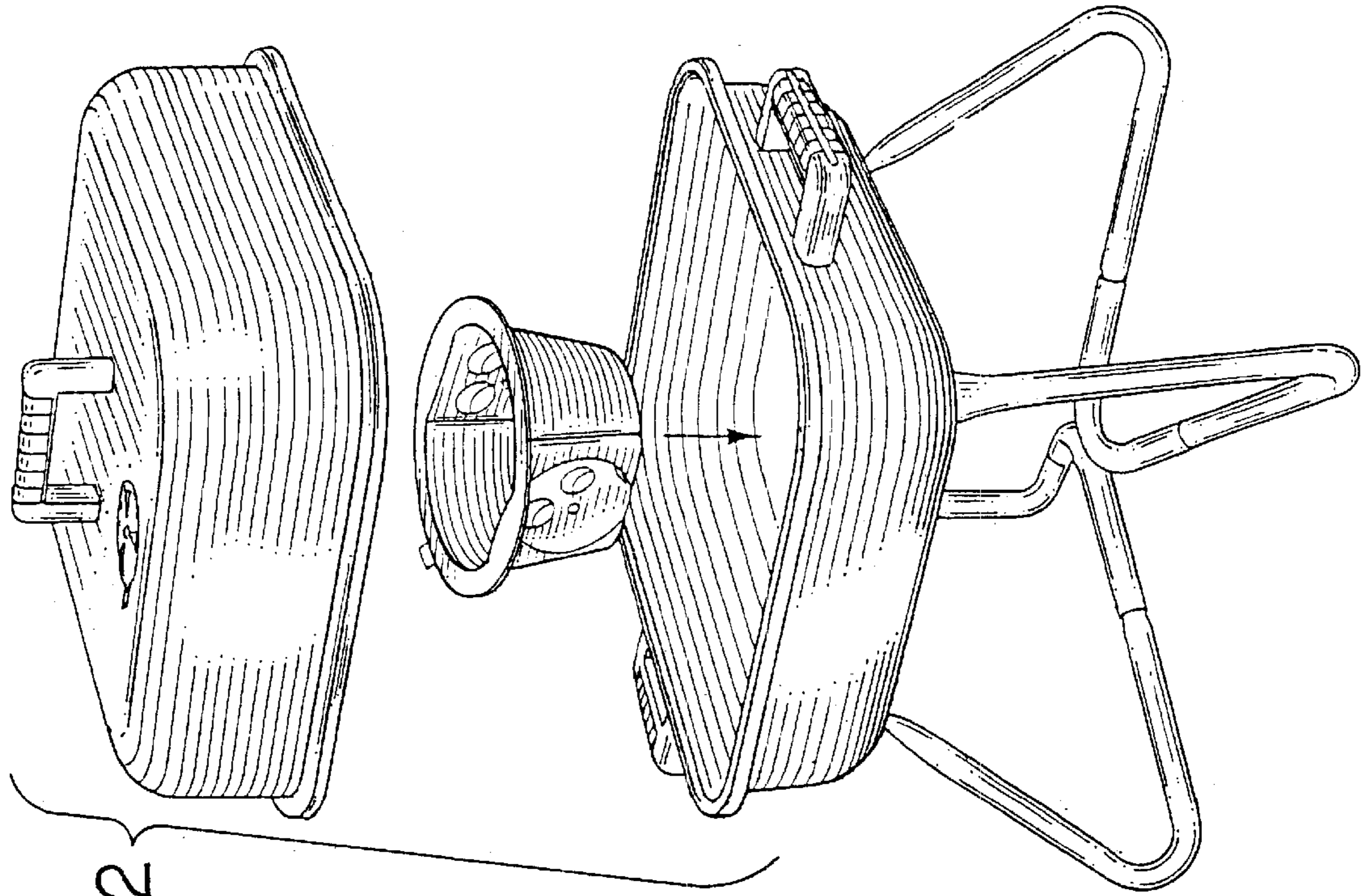


FIG. 2

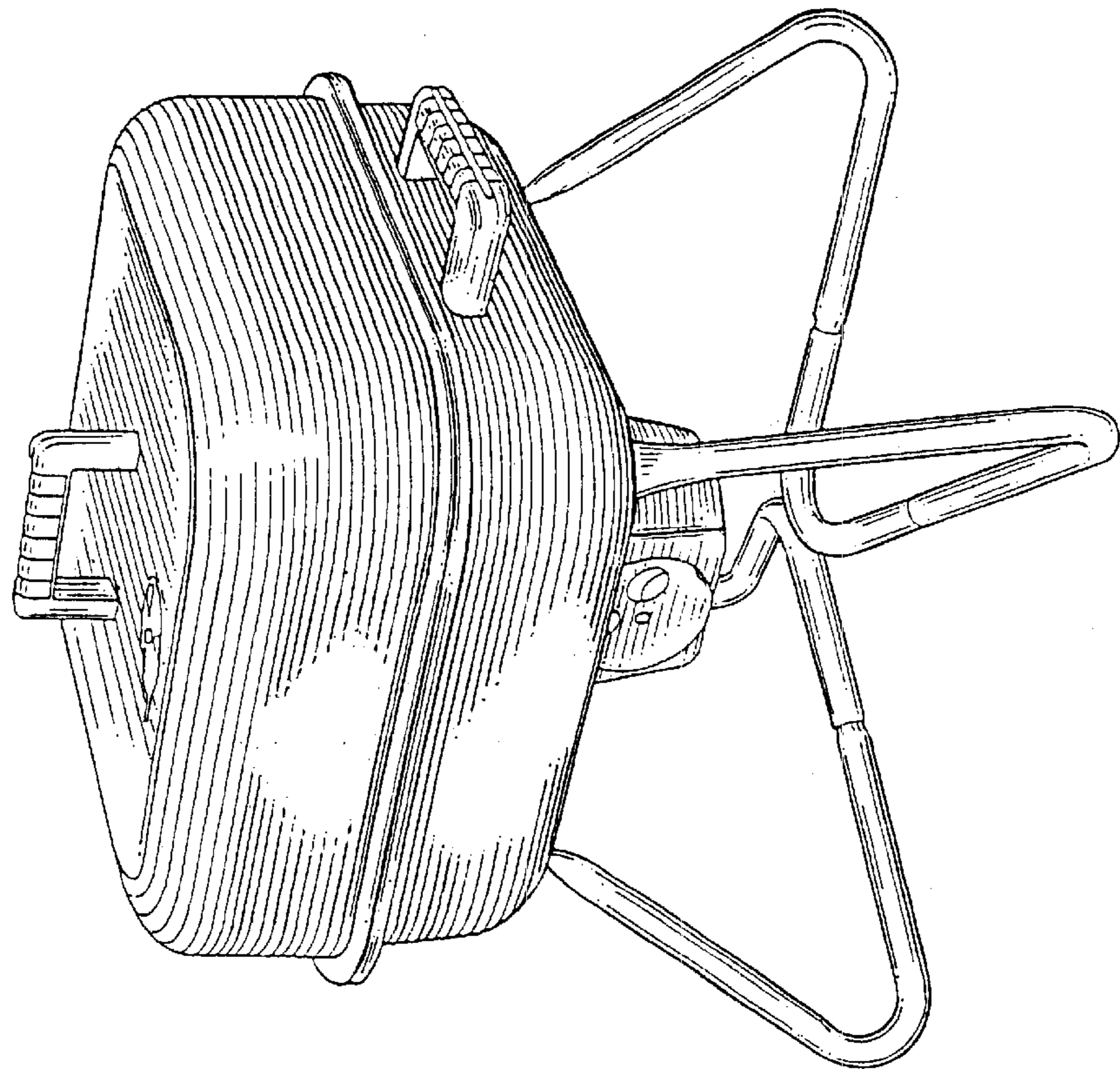


FIG. 1

FIG.4

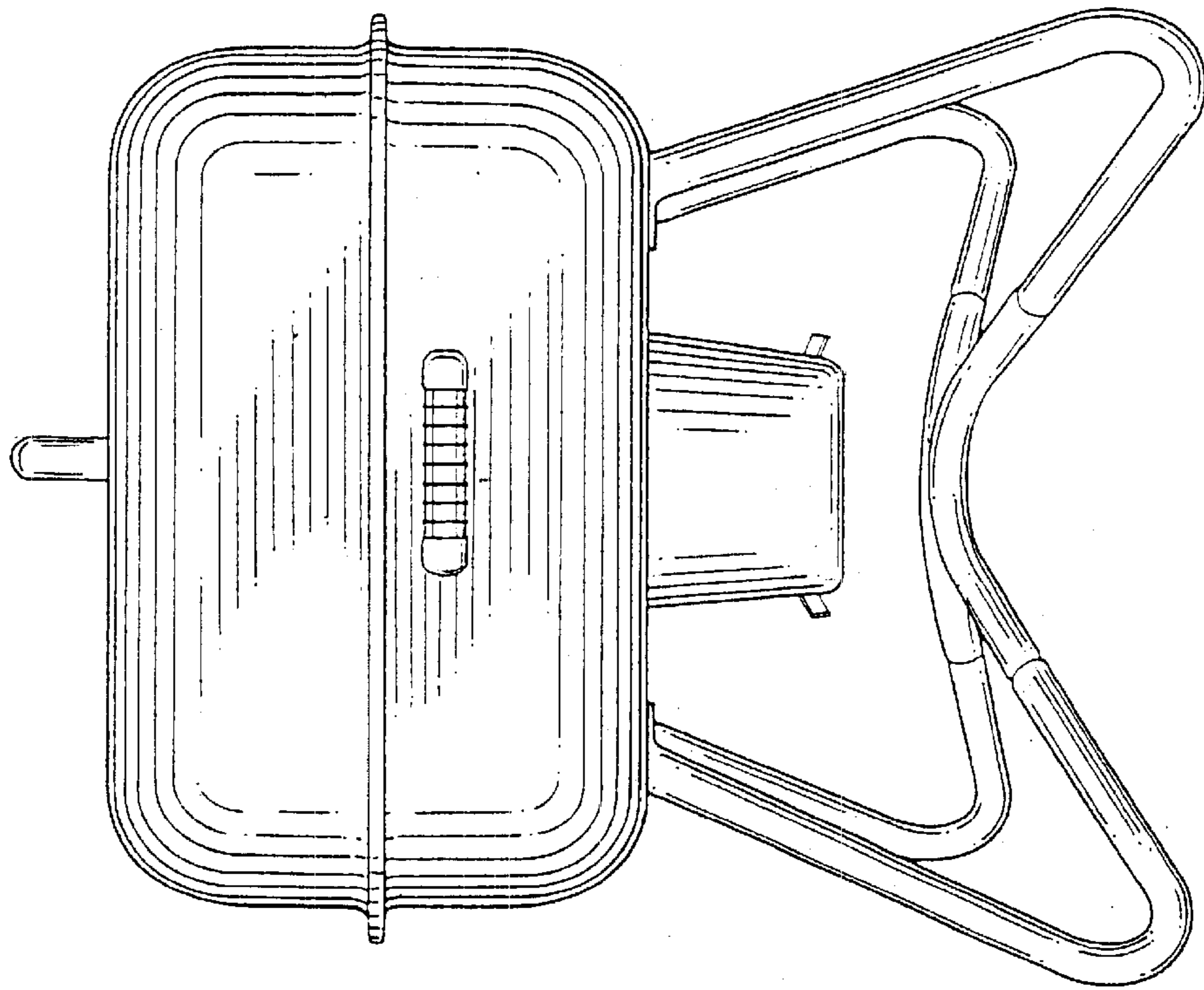


FIG.3

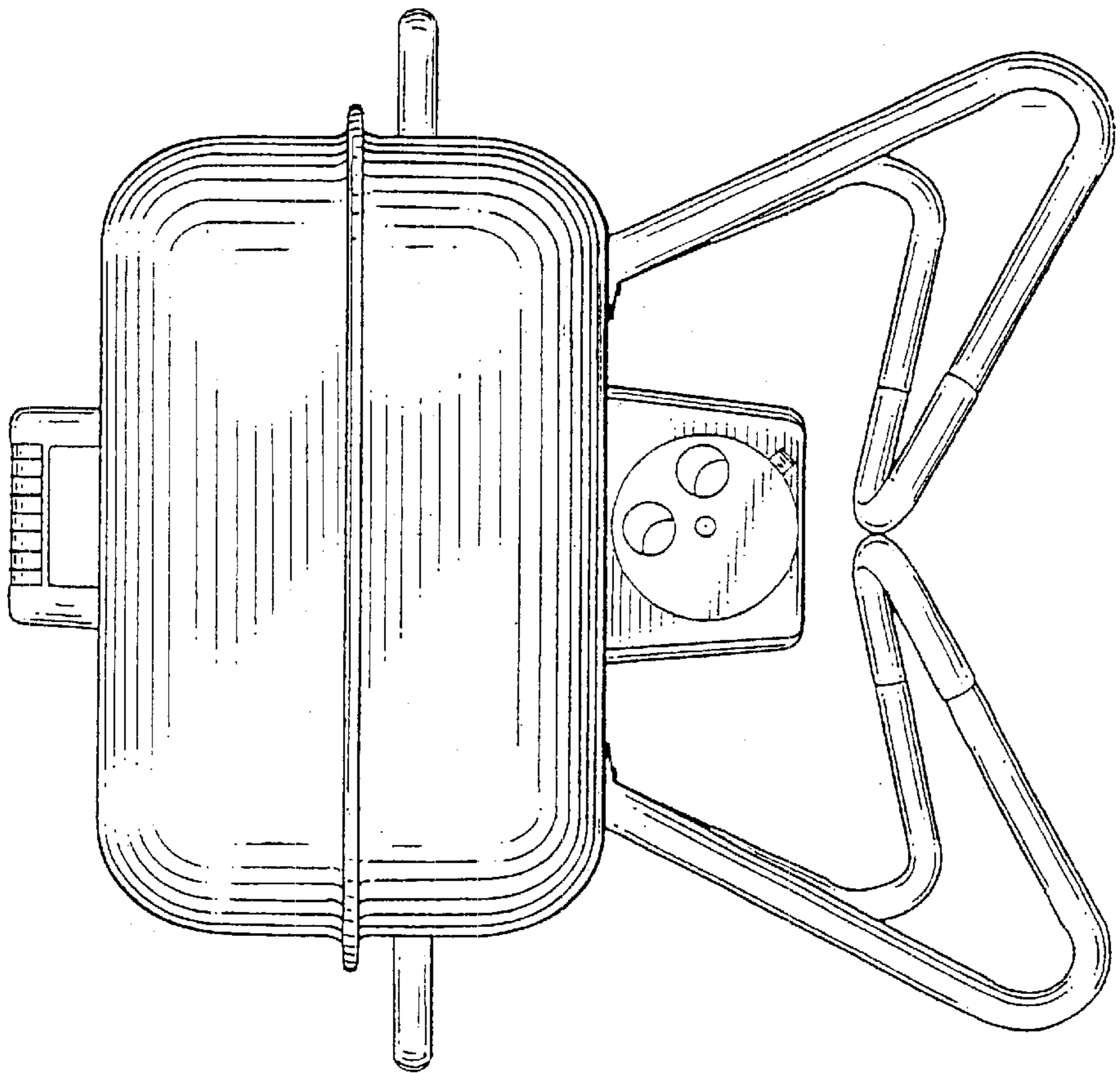


FIG.6

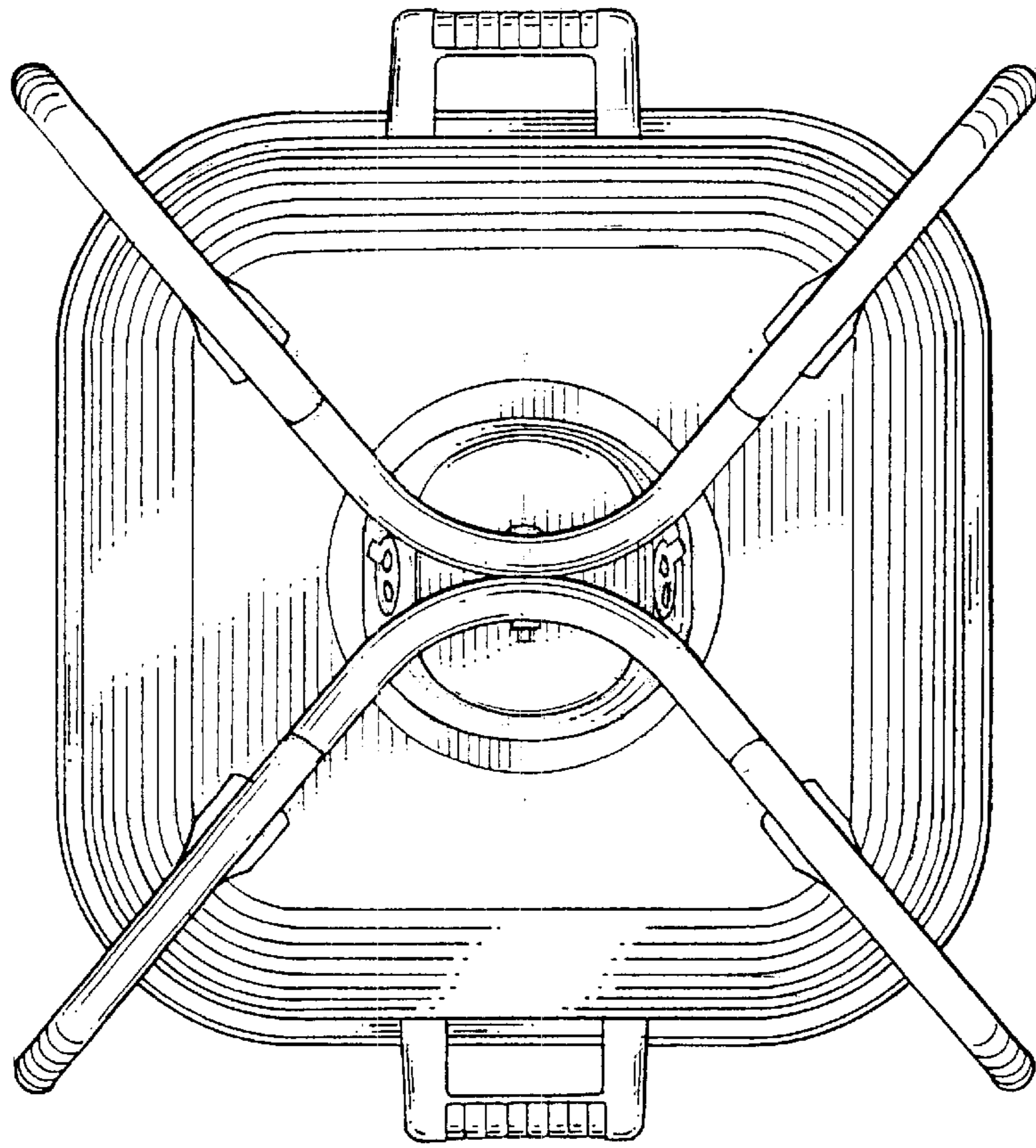


FIG.5

