



US00D464226S

(12) **United States Design Patent** (10) **Patent No.:** **US D464,226 S**  
**Lassota et al.** (45) **Date of Patent:** **\*\* Oct. 15, 2002**

(54) **BEVERAGE DISPENSING URN**  
 (75) Inventors: **Zbigniew G. Lassota**, Long Grove, IL (US); **Chris Weirzeicki**, Chicago, IL (US)

D419,362 S \* 1/2000 Bouhuys ..... D7/306  
 D431,145 S \* 9/2000 Wuebcke et al. .... D7/306  
 D435,994 S \* 1/2001 Gaffney ..... D7/306  
 D442,009 S \* 5/2001 Schwarzli ..... D7/306  
 D443,792 S \* 6/2001 Peters et al. .... D7/306

(73) Assignee: **Food Equipment Technologies Company, Inc.**, Lincolnshire, IL (US)

\* cited by examiner

(\*\*) Term: **14 Years**

*Primary Examiner*—M. N. Pandozzi  
 (74) *Attorney, Agent, or Firm*—James W. Potthast; Potthast & Associates

(21) Appl. No.: **29/146,872**

(57) **CLAIM**

(22) Filed: **Aug. 16, 2001**

The ornamental design for a beverage dispensing urn, as shown and described.

(51) **LOC (7) Cl.** ..... **07-01**

**DESCRIPTION**

(52) **U.S. Cl.** ..... **D7/306; D7/313**

(58) **Field of Search** ..... D7/300, 306, 312, D7/313, 307, 308, 311; 137/377; 222/183, 185.1, 146.6, 146.1; 194/317; 210/465, 232; 62/3.64, 389, 3.63

FIG. 1 is a perspective view of a beverage dispensing urn showing our new design;  
 FIG. 2 is a front elevational view of the beverage dispensing urn of FIG. 1;  
 FIG. 3 is a left side view of the beverage dispensing urn of FIG. 1;  
 FIG. 4 is a right side view of the beverage dispensing urn of FIG. 1;  
 FIG. 5 is a back elevational view of the beverage dispensing urn of FIG. 1  
 FIG. 6 is a plan view of the beverage dispensing urn of FIG. 1; and,  
 FIG. 7 is a bottom view of the beverage dispensing urn of FIG. 1.

(56) **References Cited**

**U.S. PATENT DOCUMENTS**

D161,592 S \* 1/1951 Persak, Jr. .... D7/313  
 D164,941 S \* 10/1951 Nevell ..... D7/313  
 D199,408 S \* 10/1964 Felske ..... D7/313  
 3,289,895 A \* 12/1966 Yuza ..... 222/146.1  
 4,145,291 A \* 3/1979 Console et al. .... 210/466  
 4,993,229 A \* 2/1991 Baus et al. .... 62/3.64  
 D356,713 S \* 3/1995 Groover ..... D7/306  
 D358,289 S \* 5/1995 Thies et al. .... D7/306  
 D385,747 S \* 11/1997 Inoue ..... D7/311

**1 Claim, 6 Drawing Sheets**

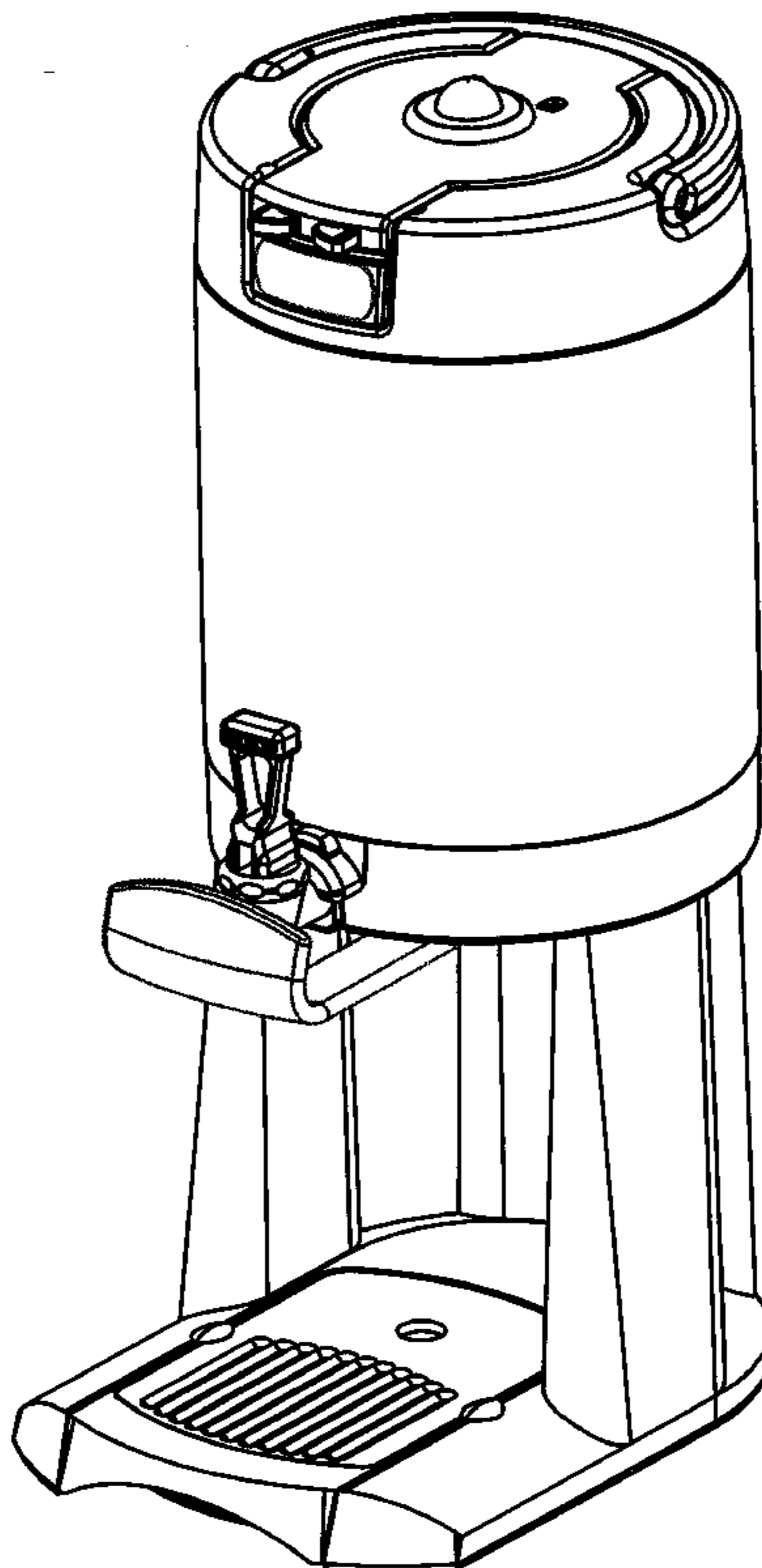
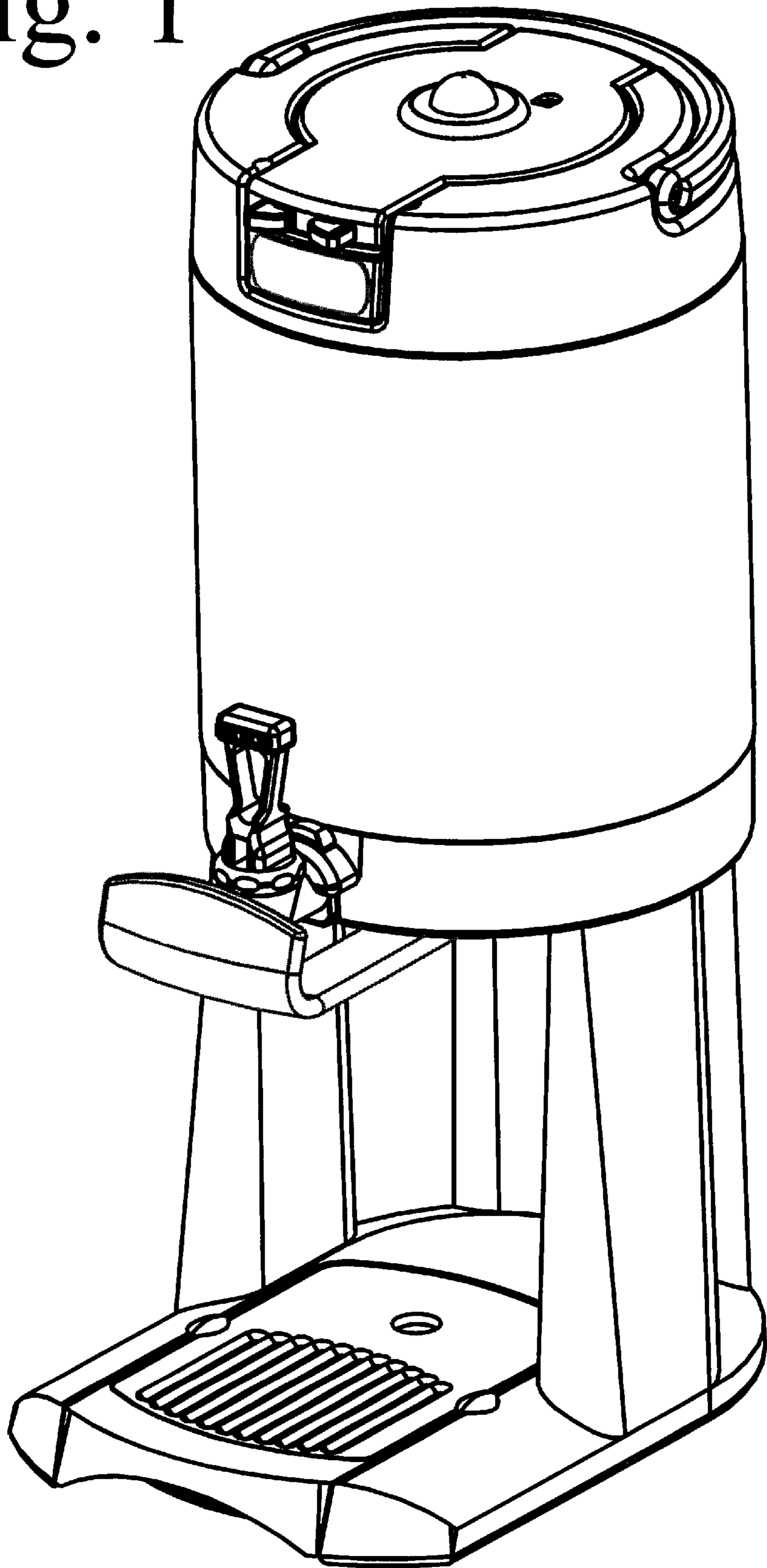
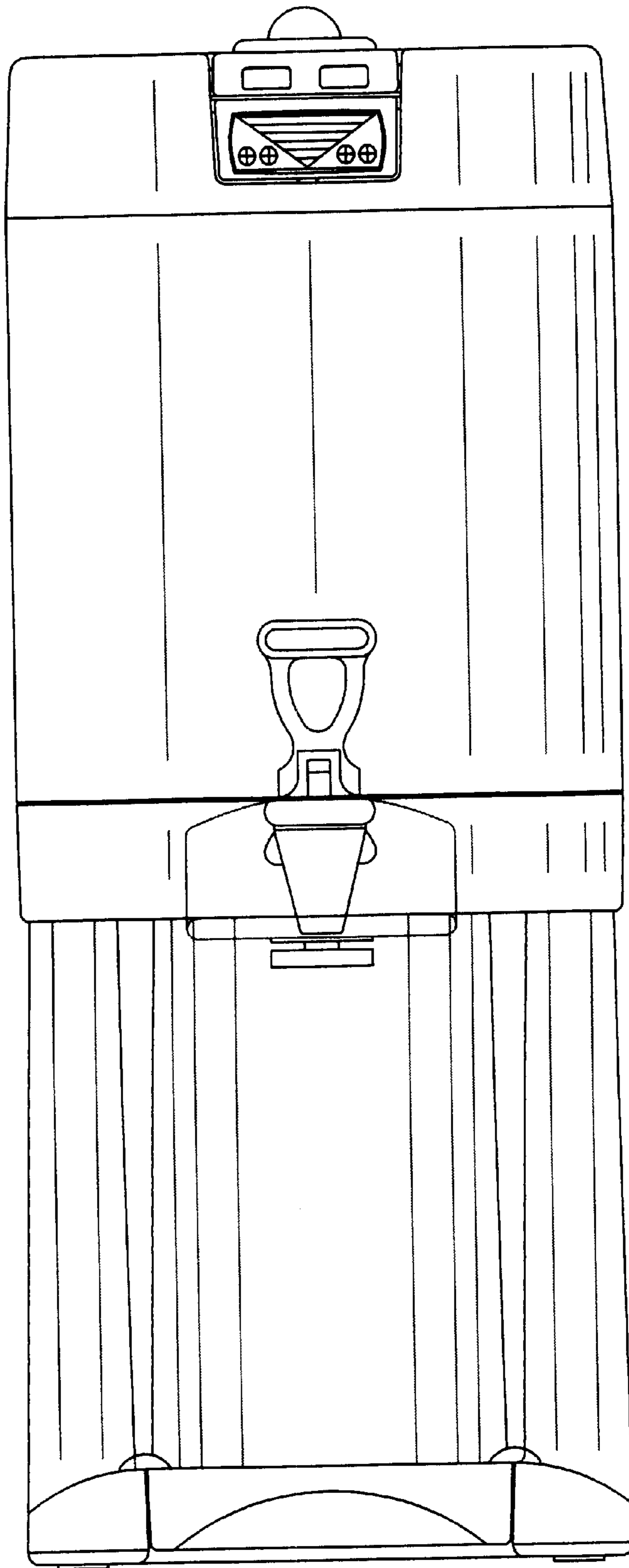


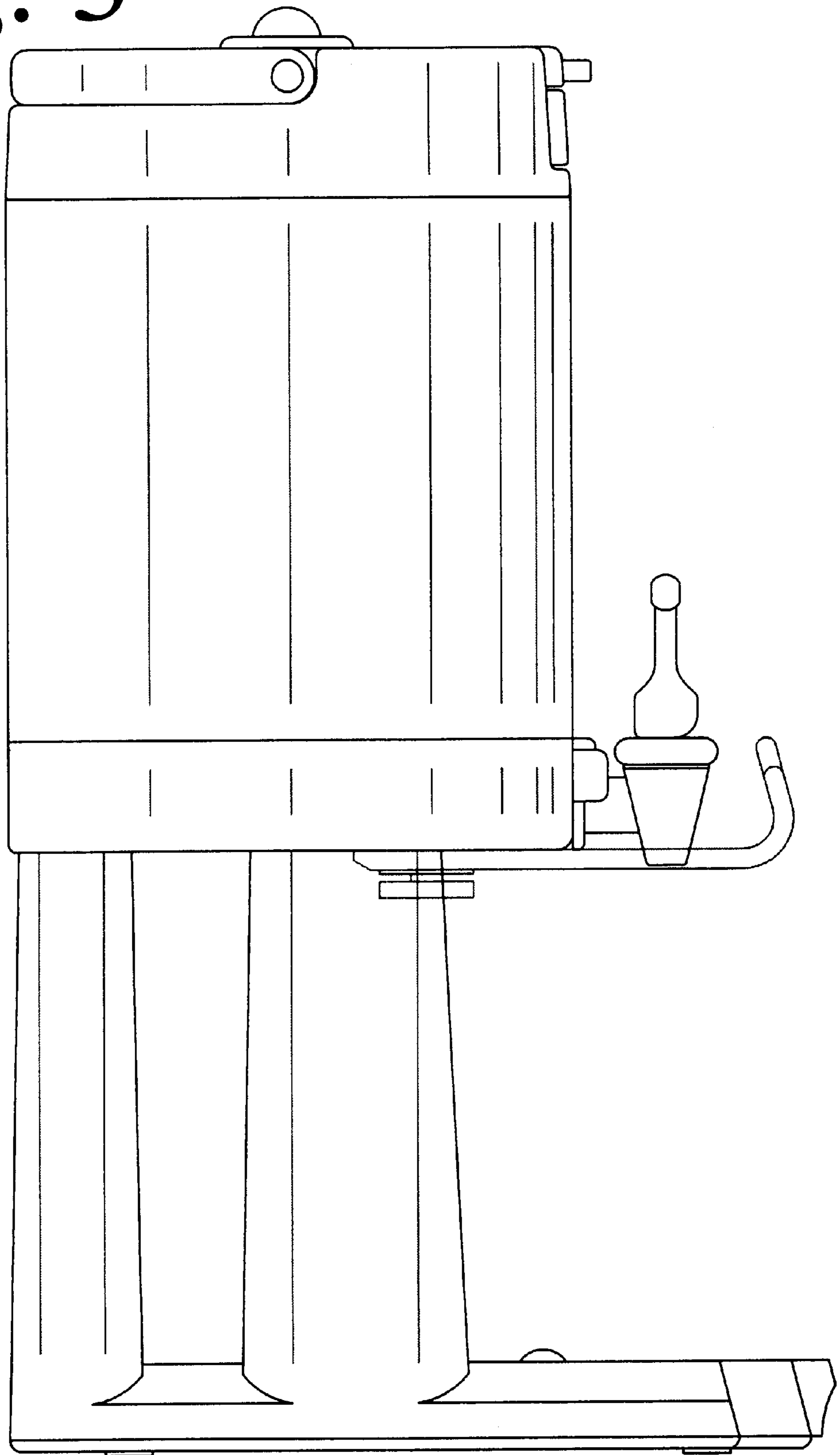
Fig. 1



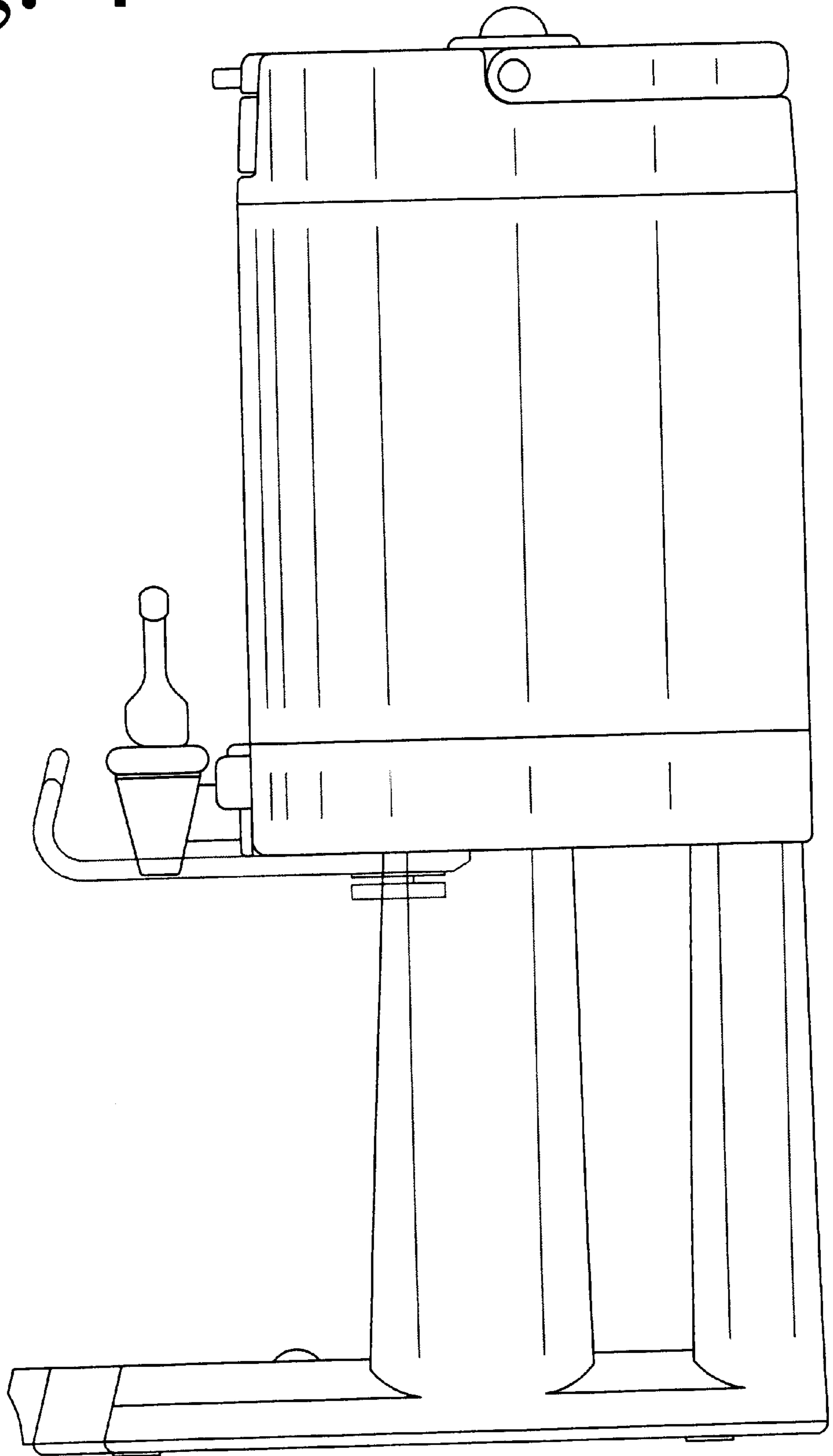
# Fig. 2



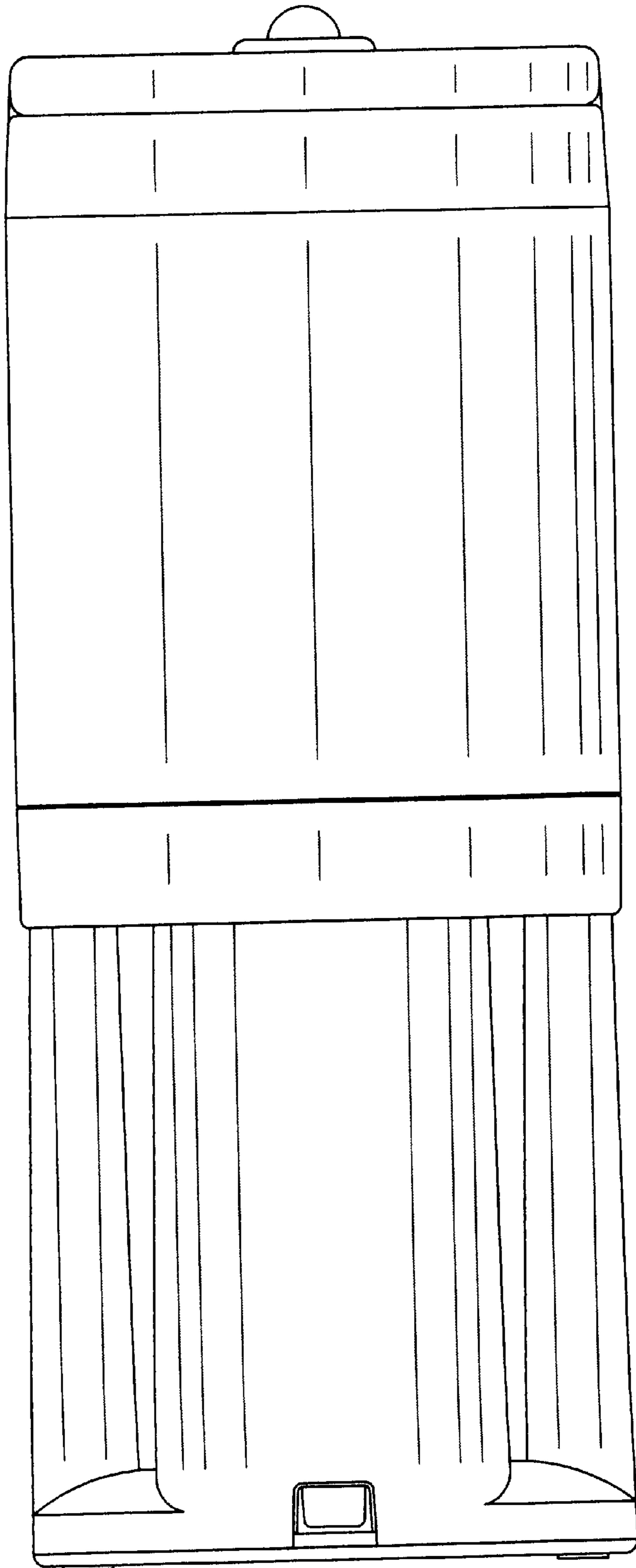
# Fig. 3



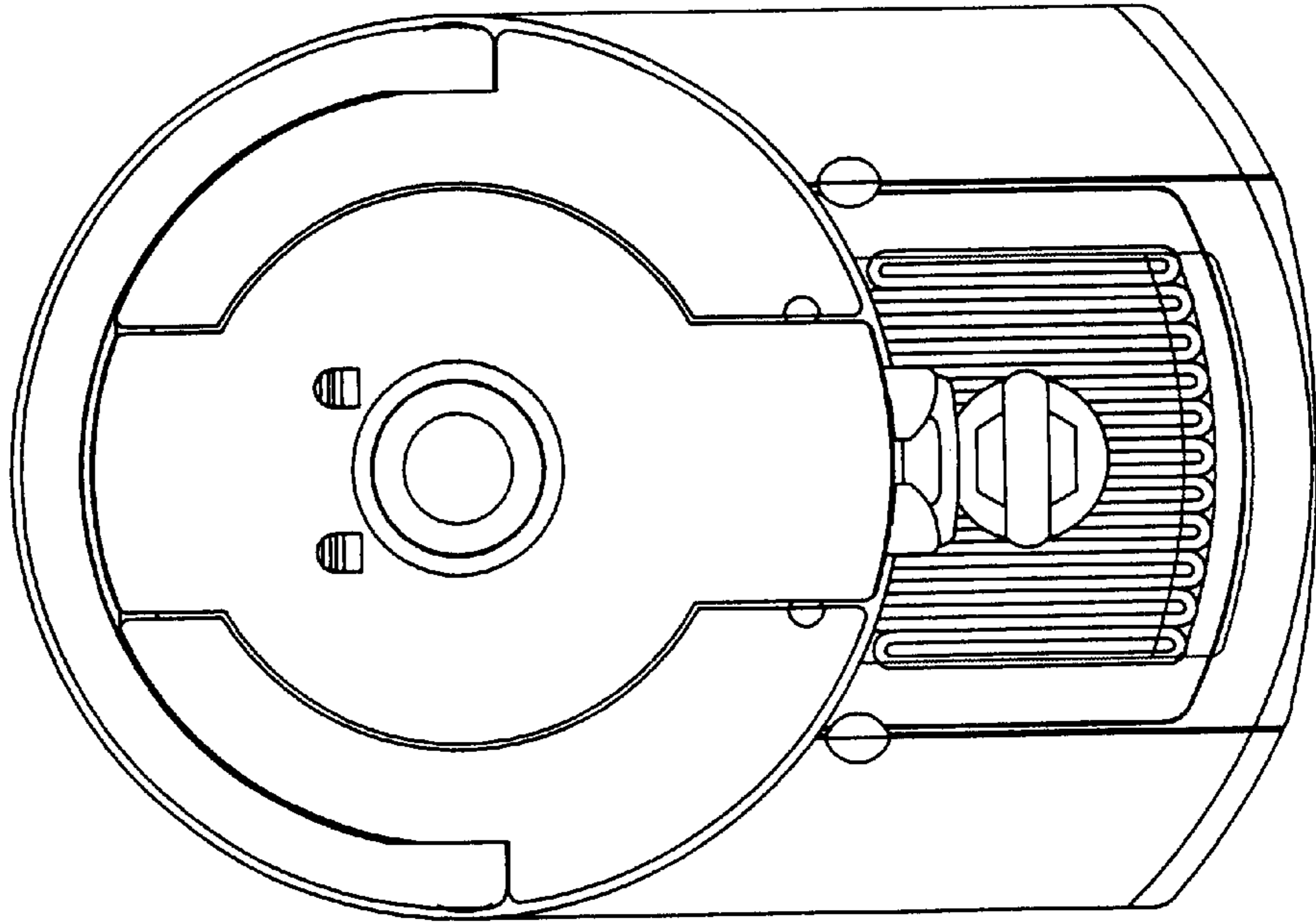
# Fig. 4



# Fig. 5



# Fig. 6



# Fig. 7

